

US00D544003S

(12) **United States Design Patent**  
**Inaba et al.**

(10) **Patent No.:** **US D544,003 S**  
(45) **Date of Patent:** **\*\* Jun. 5, 2007**

(54) **WIRE-CUT ELECTRIC DISCHARGE MACHINE**

(75) Inventors: **Harutora Inaba**, Yamanashi (JP); **Yuki Kita**, Yamanashi (JP); **Yoshinori Makino**, Yamanashi (JP)

(73) Assignee: **Fanuc Ltd**, Yamanashi (JP)

(\*\*) Term: **14 Years**

(21) Appl. No.: **29/243,612**

(22) Filed: **Nov. 29, 2005**

(30) **Foreign Application Priority Data**

Oct. 26, 2005 (JP) ..... 2005-031323

(51) **LOC (8) Cl.** ..... **15-09**

(52) **U.S. Cl.** ..... **D15/127**

(58) **Field of Classification Search** ..... D15/127,  
D15/199; 219/20, 68, 69.11-69.18, 69 G,  
219/69 R, 69 W; 318/571-572; 483/1,  
483/16

See application file for complete search history.

(56) **References Cited**

**U.S. PATENT DOCUMENTS**

D286,407 S \* 10/1986 Itoh et al. .... D15/127  
D292,100 S \* 9/1987 Goldsmith et al. .... D15/127  
D298,833 S \* 12/1988 Yang ..... D15/127

D302,165 S \* 7/1989 Itoh et al. .... D15/127  
6,509,538 B2 \* 1/2003 Tsukamoto ..... 219/69.12  
2001/0025831 A1 \* 10/2001 Kobayashi ..... 219/69.12  
2006/0049146 A1 \* 3/2006 Wehrli ..... 219/69.12

**OTHER PUBLICATIONS**

Product Information Sheet for: Fanuc Robocut  $\alpha$ -0iCp from the website: <http://www.fanuc.co.jp/ja/product/catalog/index.html>.  
Taiwanese Office Action mailed Oct. 31, 2006 in corresponding Taiwanese Patent Application No. 94306491.

\* cited by examiner

*Primary Examiner*—Antoine D. Davis

*Assistant Examiner*—Patricia Palasik

(74) *Attorney, Agent, or Firm*—Staas & Halsey LLP

(57) **CLAIM**

The ornamental design for a wire-cut electric discharge machine, as shown and described.

**DESCRIPTION**

FIG. 1 is a front perspective view of a wire-cut electric discharge machine showing our new design;

FIG. 2 is a front view thereof;

FIG. 3 is a rear view thereof;

FIG. 4 is a left side elevational view thereof;

FIG. 5 is a right side elevational view thereof; and,

FIG. 6 is a top plan view thereof.

**1 Claim, 3 Drawing Sheets**

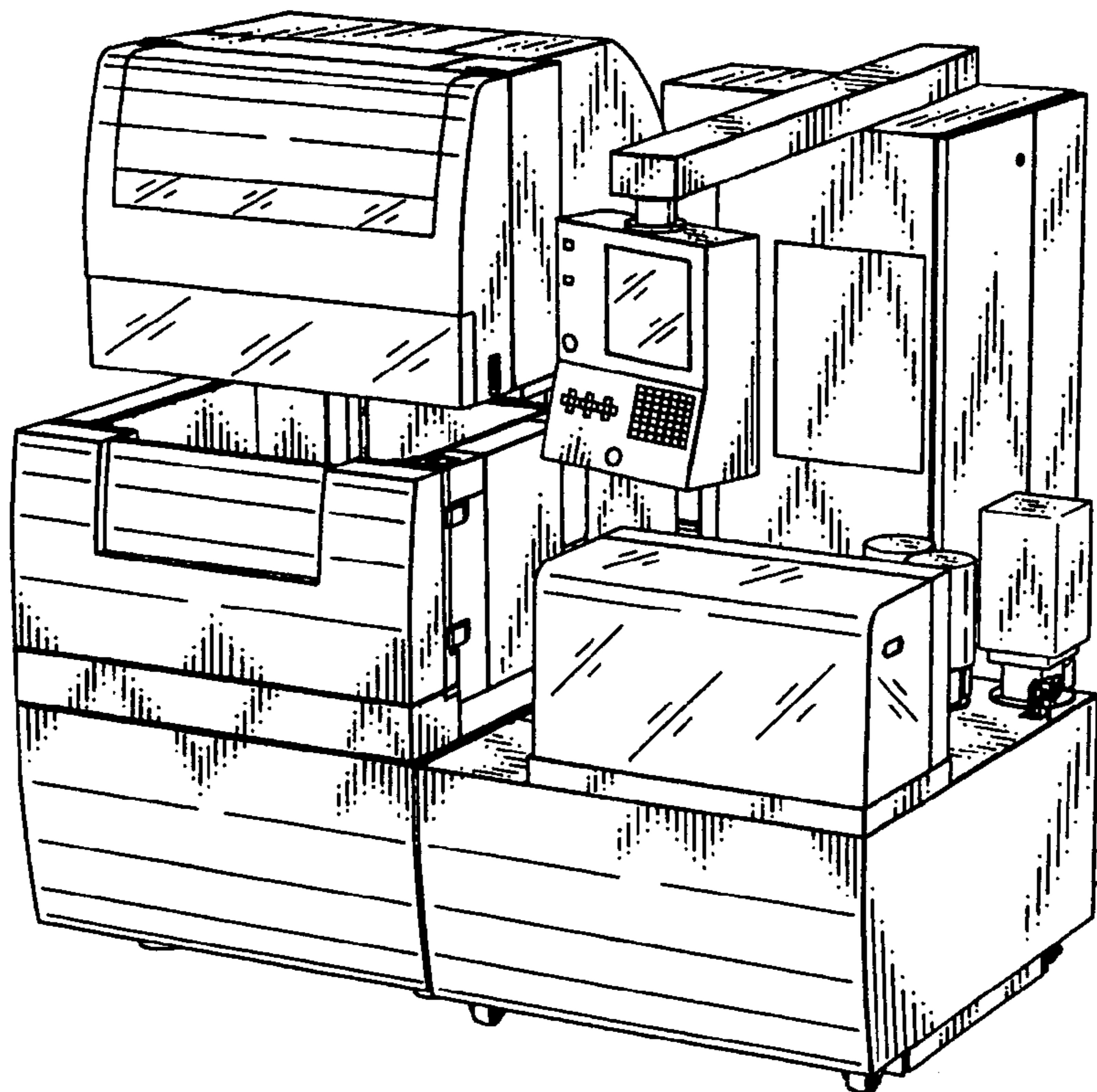


Fig.1

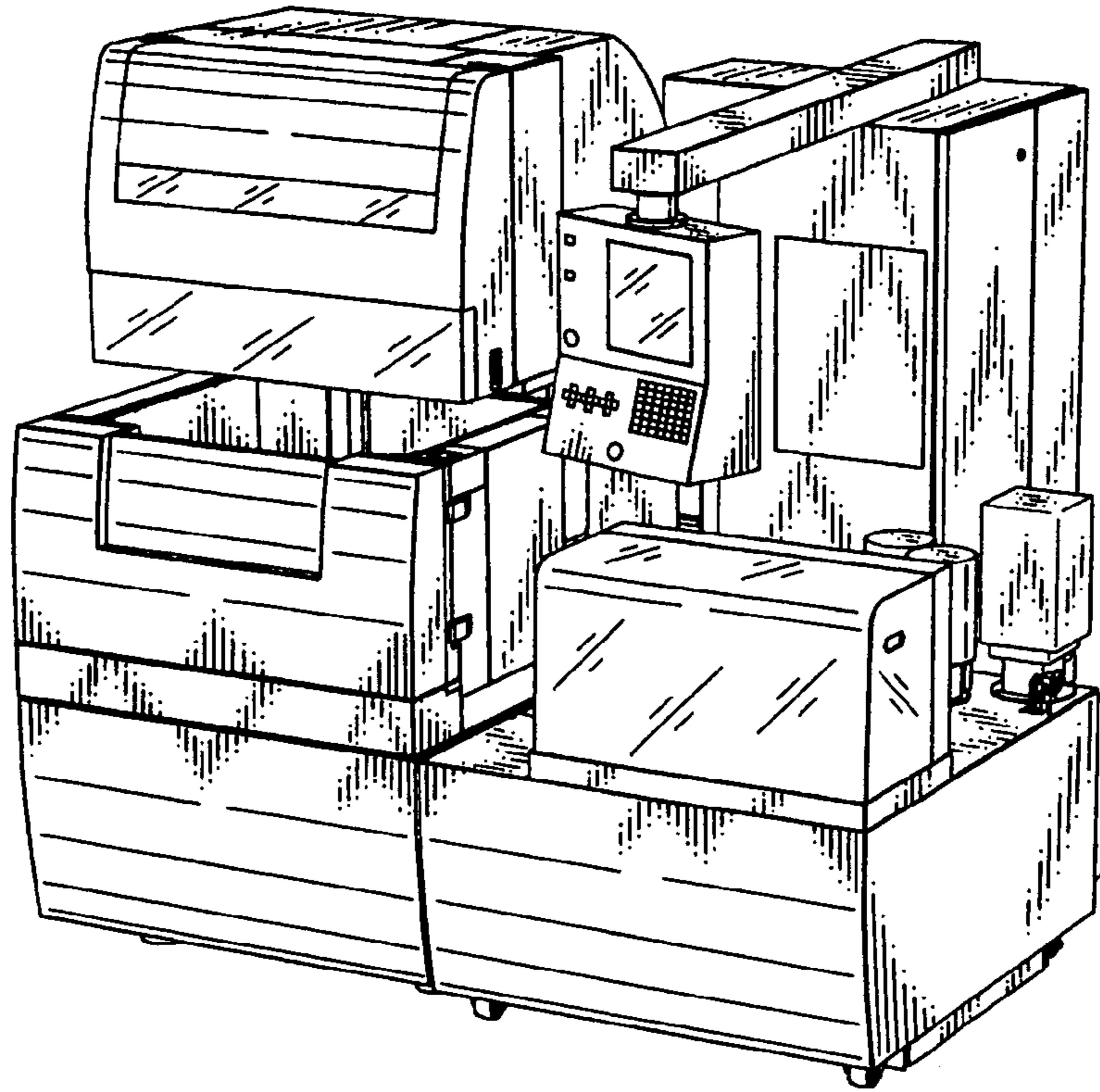


Fig.2

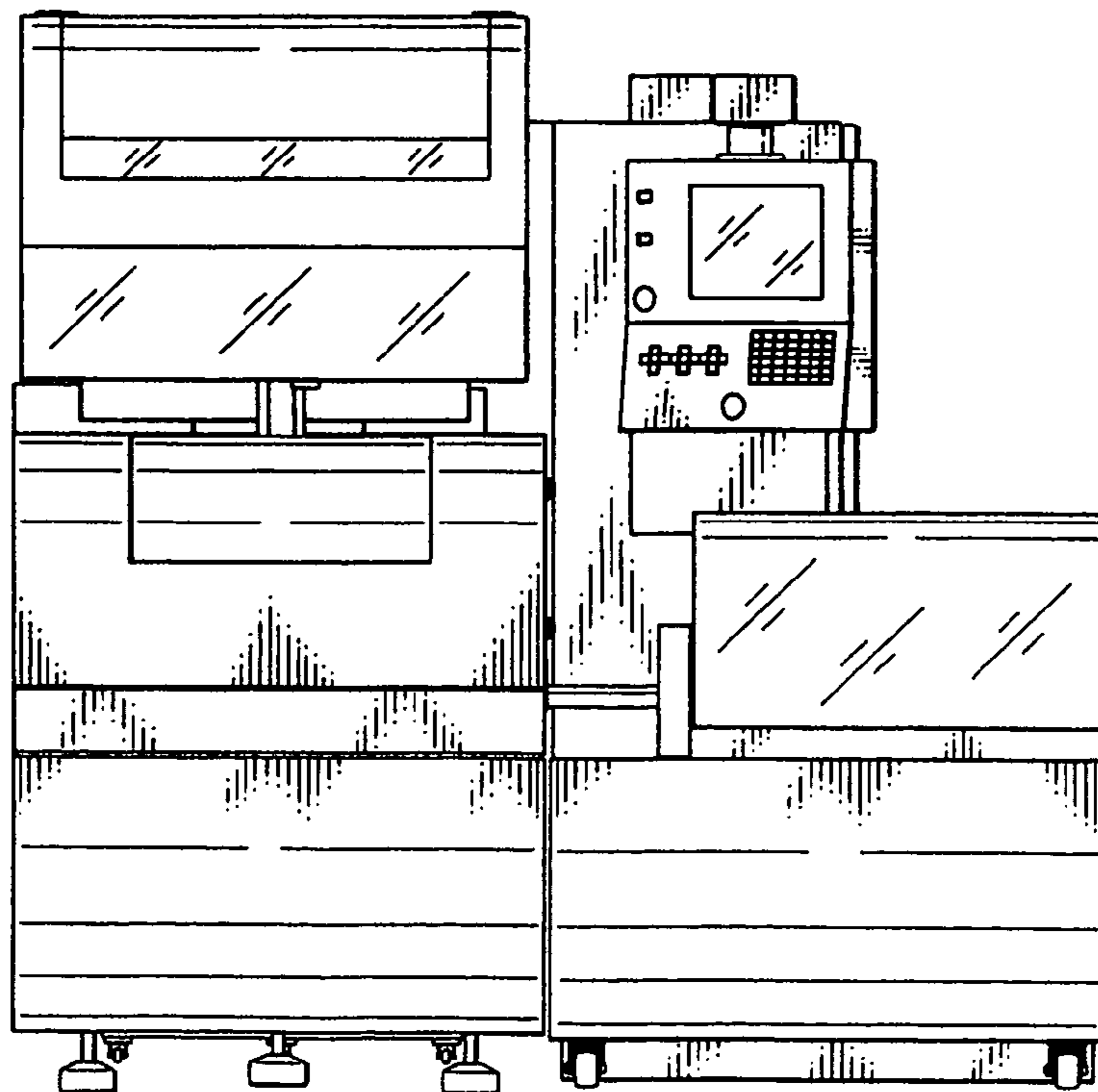


Fig.3

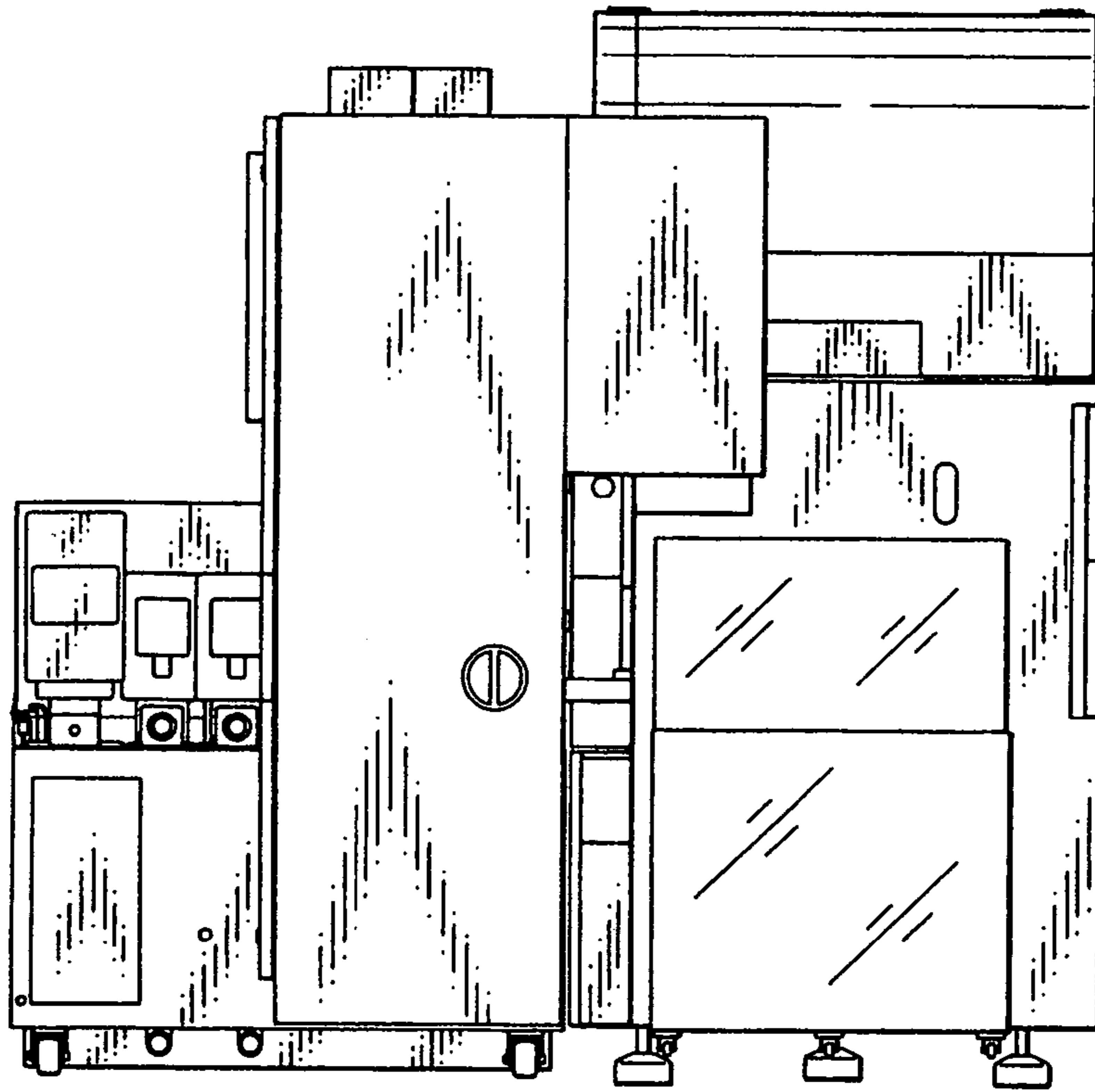


Fig.4

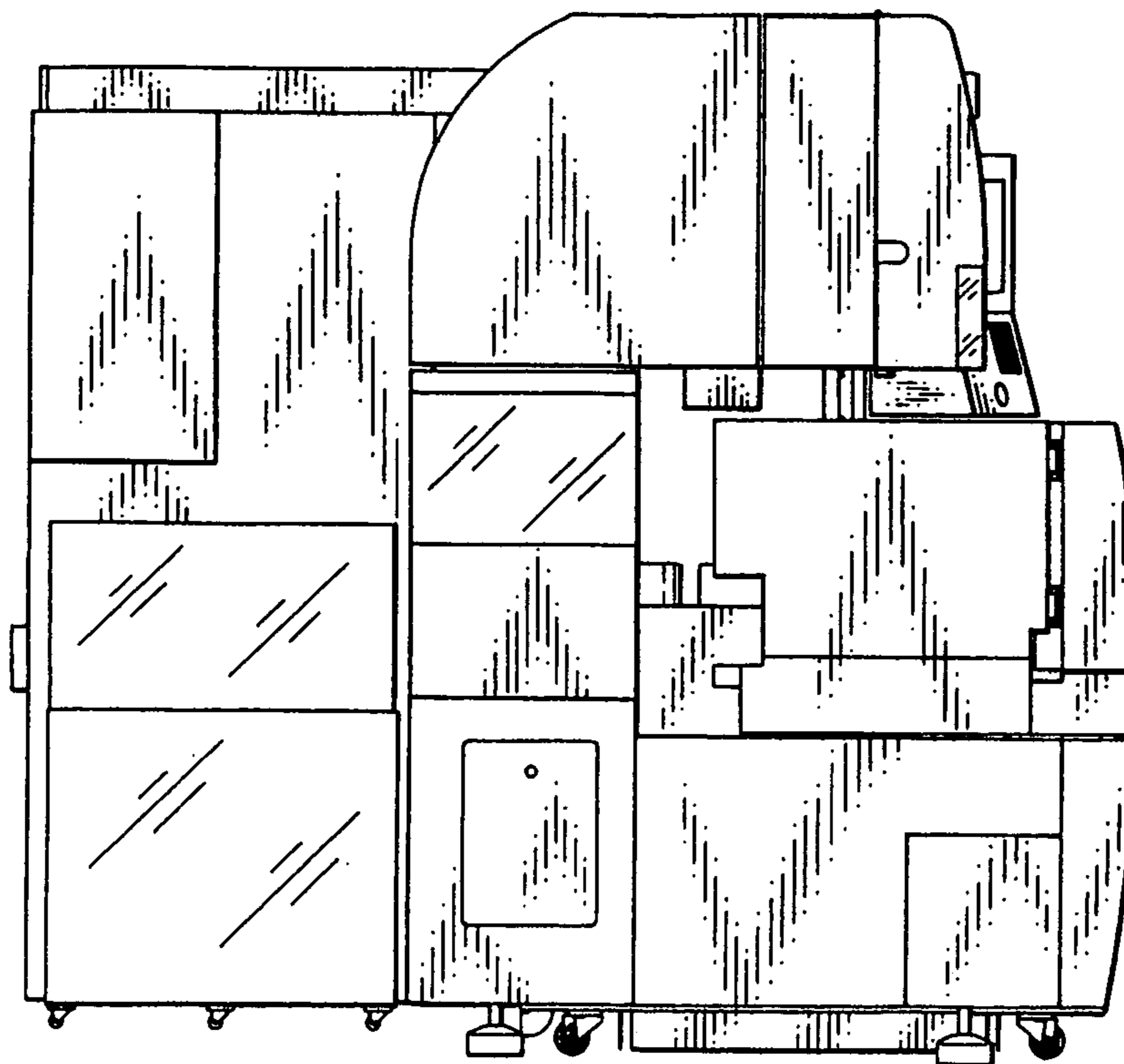


Fig.5

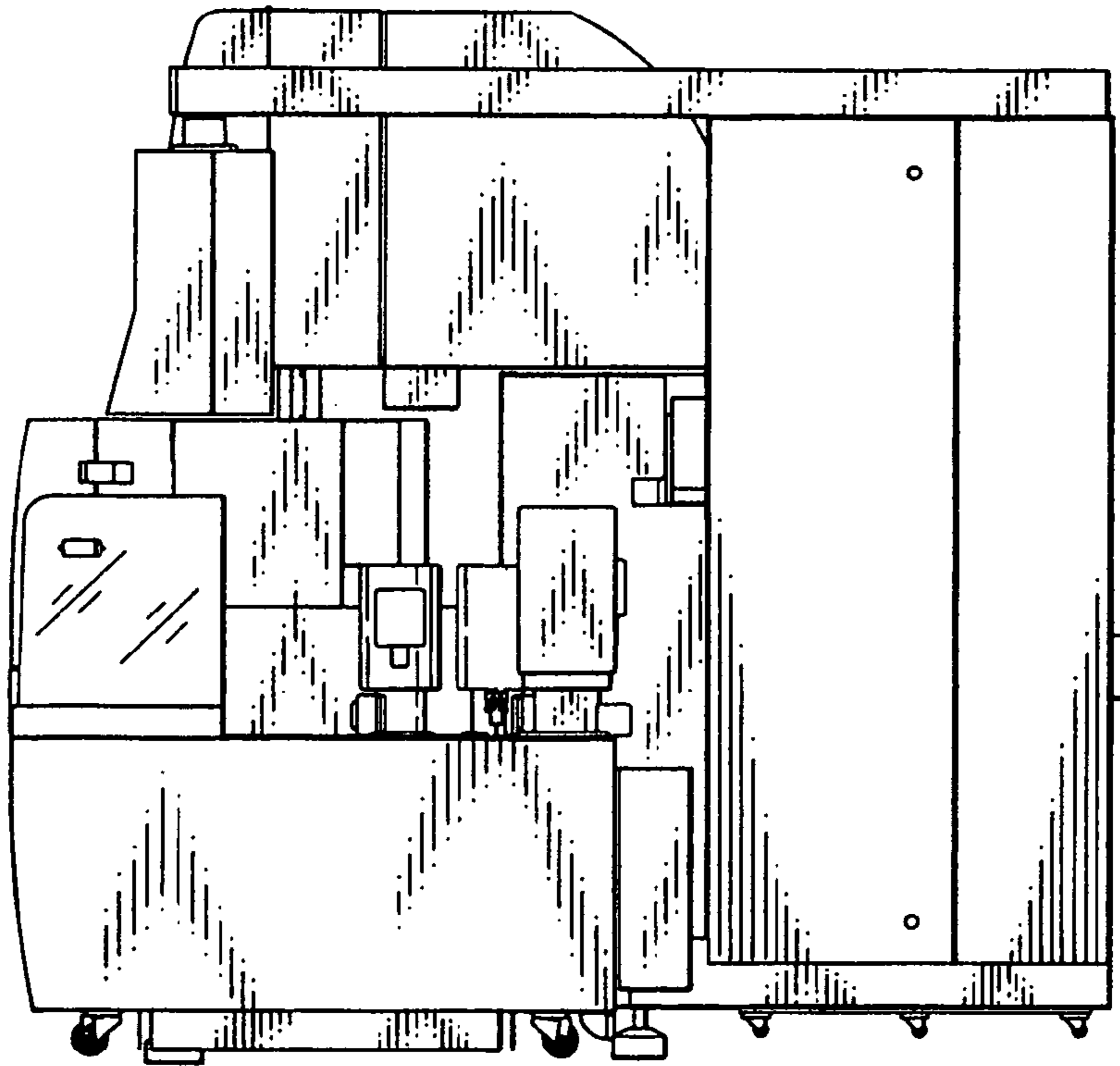


Fig.6

