

US00D544002S

(12) **United States Design Patent**  
**Kim et al.**

(10) **Patent No.:** **US D544,002 S**  
(45) **Date of Patent:** **\*\* Jun. 5, 2007**

(54) **REFRIGERATOR**  
(75) Inventors: **Jeong-Min Kim**, Seoul (KR);  
**Young-Min Park**, Seoul (KR)  
(73) Assignee: **Samsung Electronics Co., Ltd.**,  
Kyunggi-do (KR)  
(\*\*) Term: **14 Years**  
(21) Appl. No.: **29/265,881**

D524,832 S 7/2006 Kim et al.  
D525,993 S 8/2006 Kim et al.  
D527,395 S 8/2006 Kim  
D527,396 S 8/2006 Kim et al.  
D527,397 S 8/2006 Kim et al.  
D527,398 S 8/2006 Kim et al.  
D527,745 S 9/2006 Kim et al.  
D527,746 S 9/2006 Kim et al.  
D527,747 S 9/2006 Kim et al.  
D527,748 S 9/2006 Kim  
D528,135 S 9/2006 Kim et al.

\* cited by examiner

(22) Filed: **Sep. 11, 2006**

(51) **LOC (8) Cl.** ..... **15-07**  
(52) **U.S. Cl.** ..... **D15/85**  
(58) **Field of Classification Search** ..... D15/79-82,  
D15/85-89; 62/3.1, 3.6, 3.63, 3.64, 389-400,  
62/440, 441, 467, 531; 312/236, 352, 400-406,  
312/405.1

*Primary Examiner*—Stella Reid  
*Assistant Examiner*—Shanda C. Hill  
(74) *Attorney, Agent, or Firm*—Flynn, Thiel, Boutell &  
Tanis, P.C.

See application file for complete search history.

(57) **CLAIM**

The ornamental design for a refrigerator, as shown and described.

(56) **References Cited**

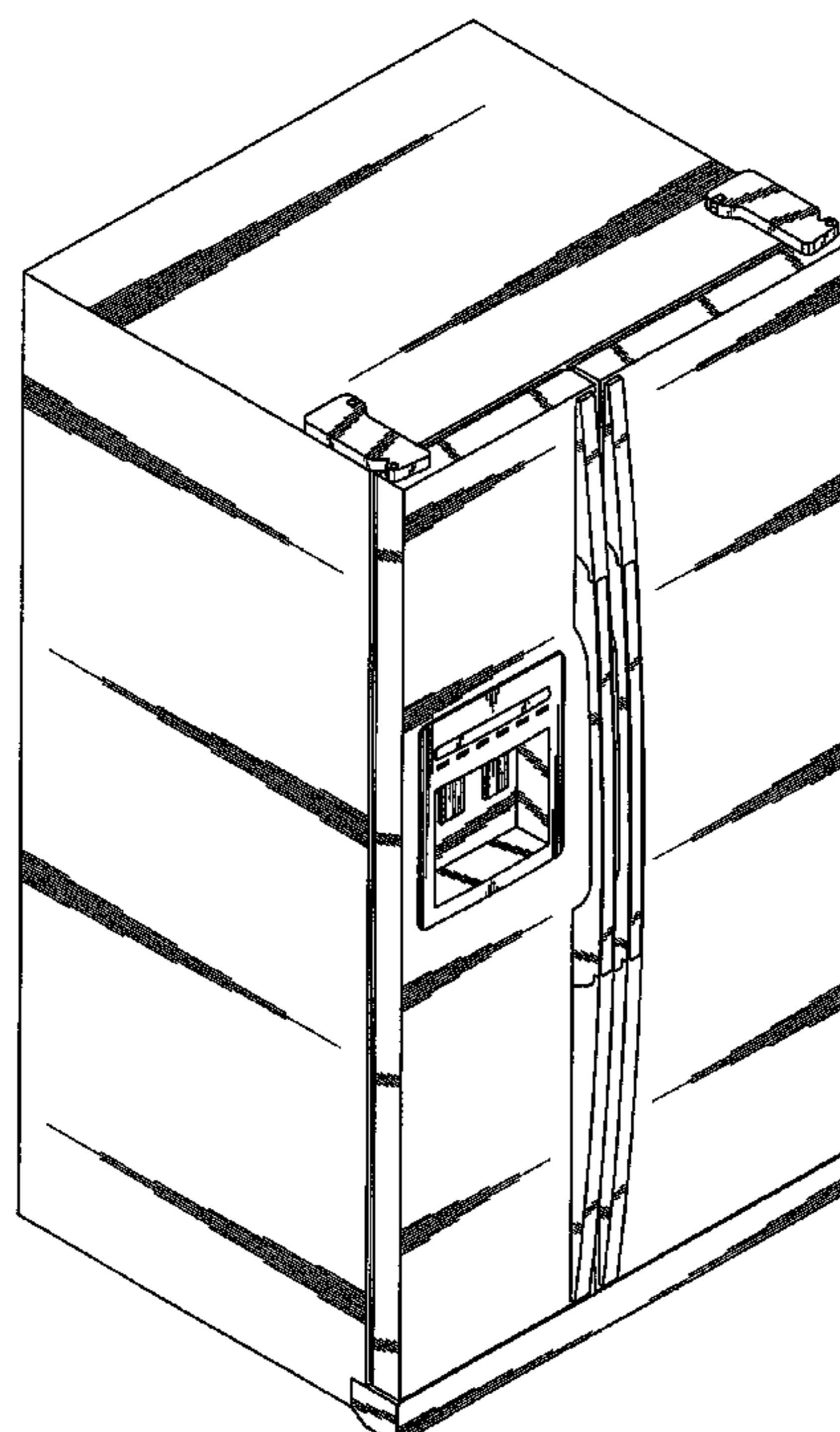
**U.S. PATENT DOCUMENTS**

D365,579 S \* 12/1995 Baker et al. .... D15/89  
D379,095 S \* 5/1997 Sparks ..... D15/85  
D496,055 S 9/2004 Kim  
D496,373 S \* 9/2004 Jang ..... D15/85  
D509,836 S 9/2005 Choi et al.  
D511,534 S \* 11/2005 Ertz et al. .... D15/89  
D514,139 S \* 1/2006 Ertz et al. .... D15/89  
D518,076 S \* 3/2006 Quinlan et al. .... D15/89  
D522,541 S 6/2006 Kim et al.  
D523,033 S 6/2006 Kim et al.  
D523,878 S \* 6/2006 Quinlan et al. .... D15/89  
D524,331 S 7/2006 Kim et al.

**DESCRIPTION**

FIG. 1 is a top front perspective view of a refrigerator showing our new design;  
FIG. 2 is a front elevational view thereof;  
FIG. 3 is a rear elevational view thereof;  
FIG. 4 is a left side elevational view, the right side being symmetrical thereof;  
FIG. 5 is a top plan view thereof; and,  
FIG. 6 is a bottom plan view thereof.

**1 Claim, 4 Drawing Sheets**



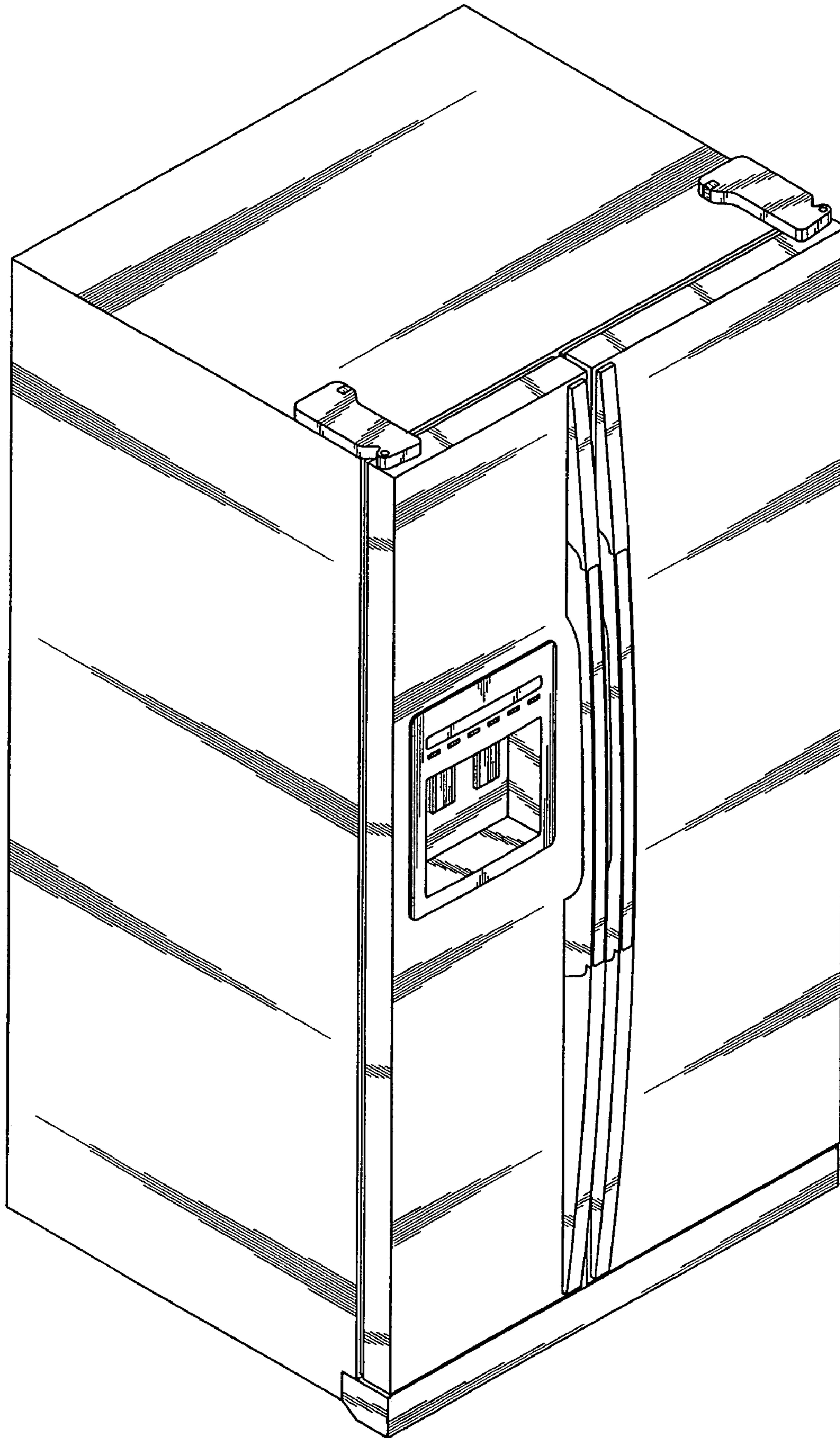


FIG. 1

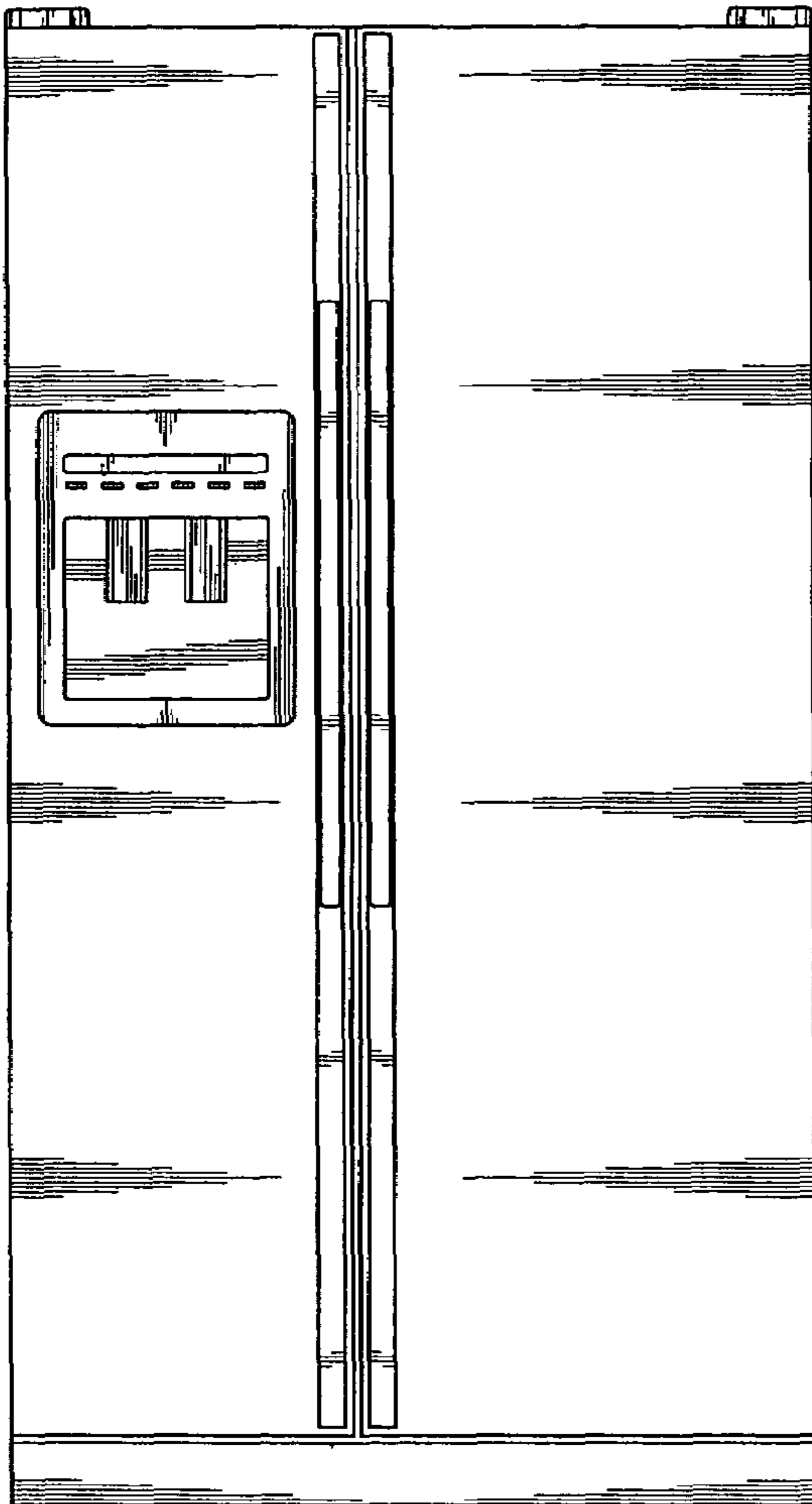


FIG. 2

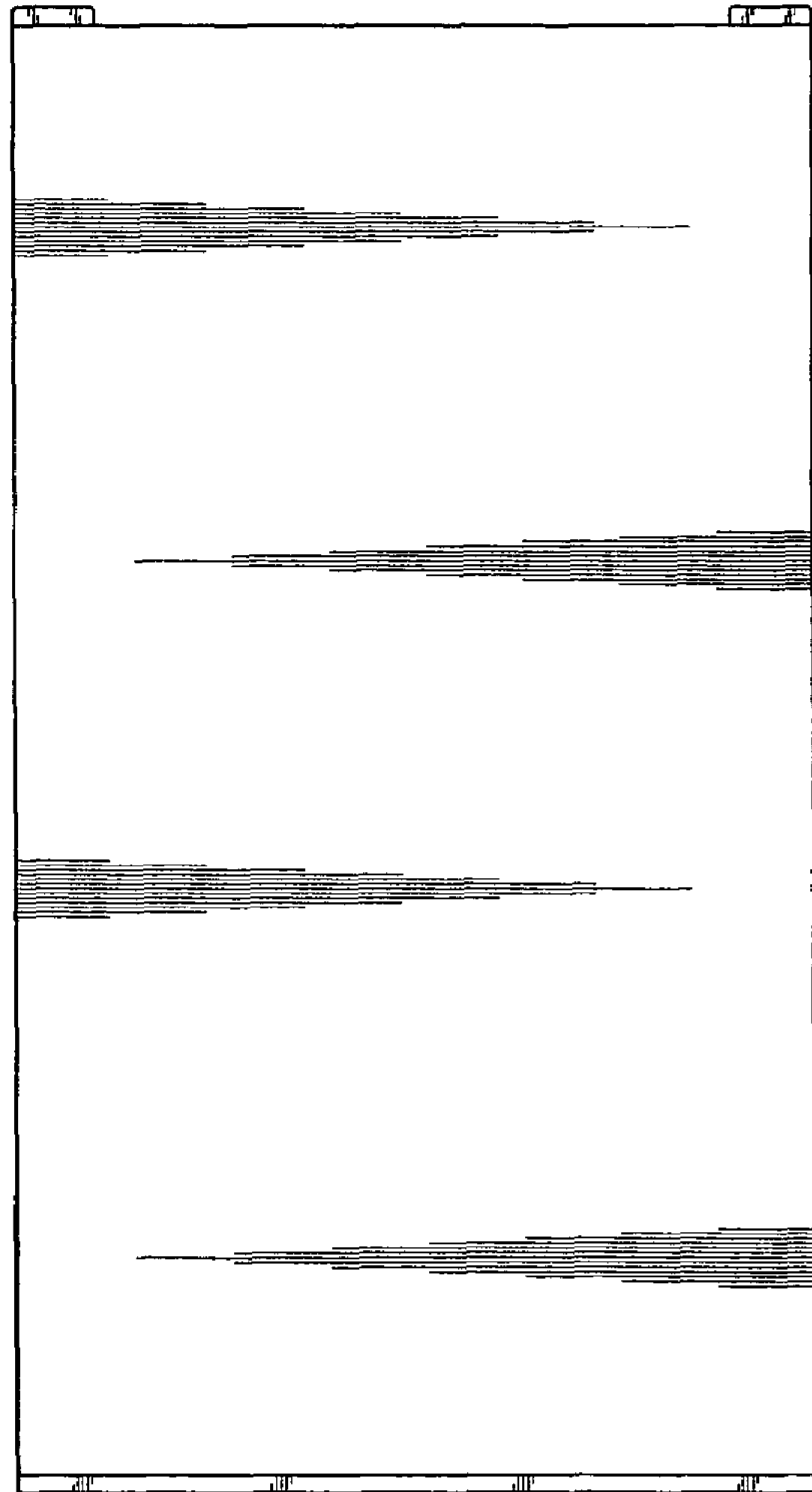


FIG. 3

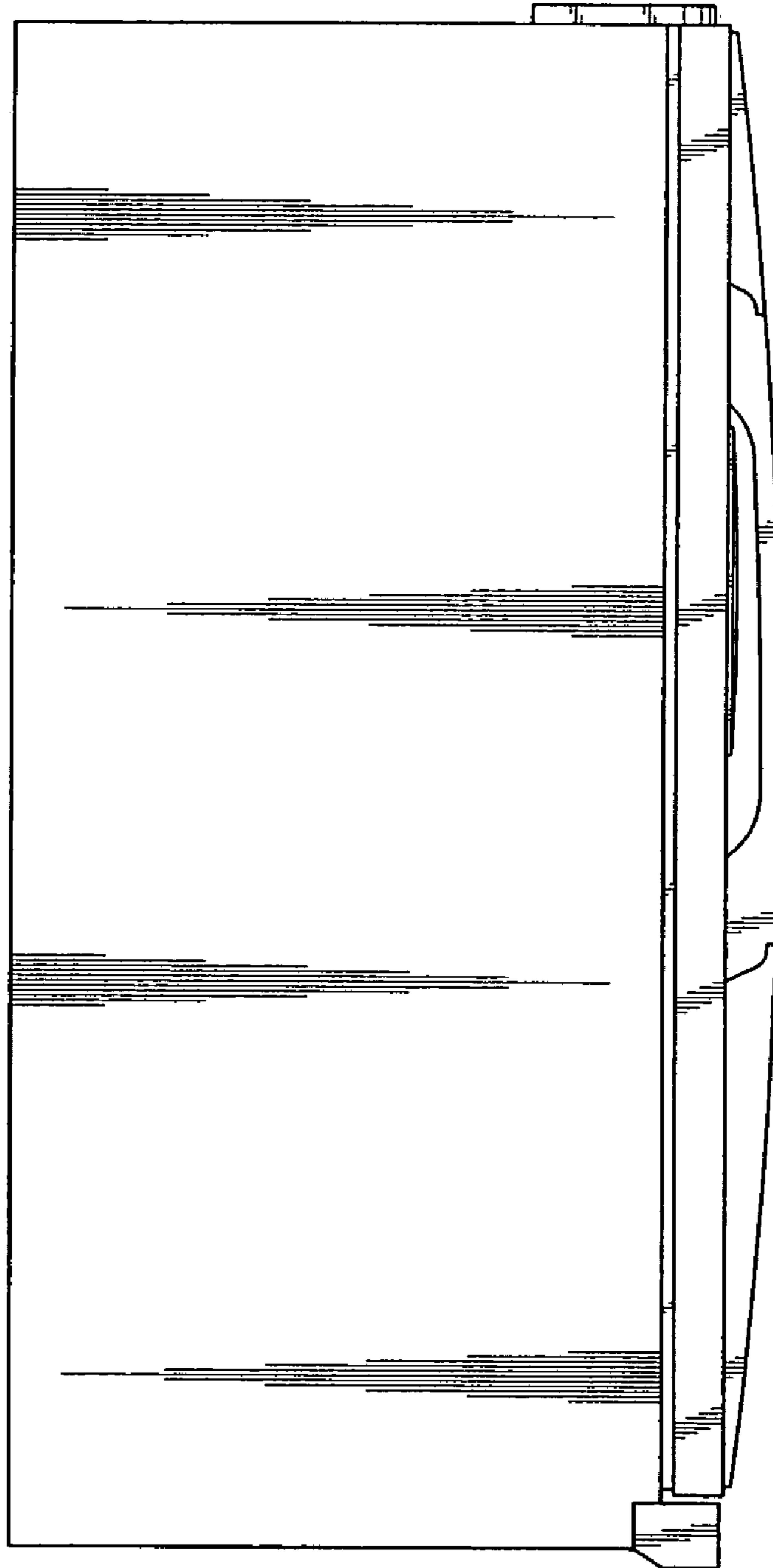


FIG. 4

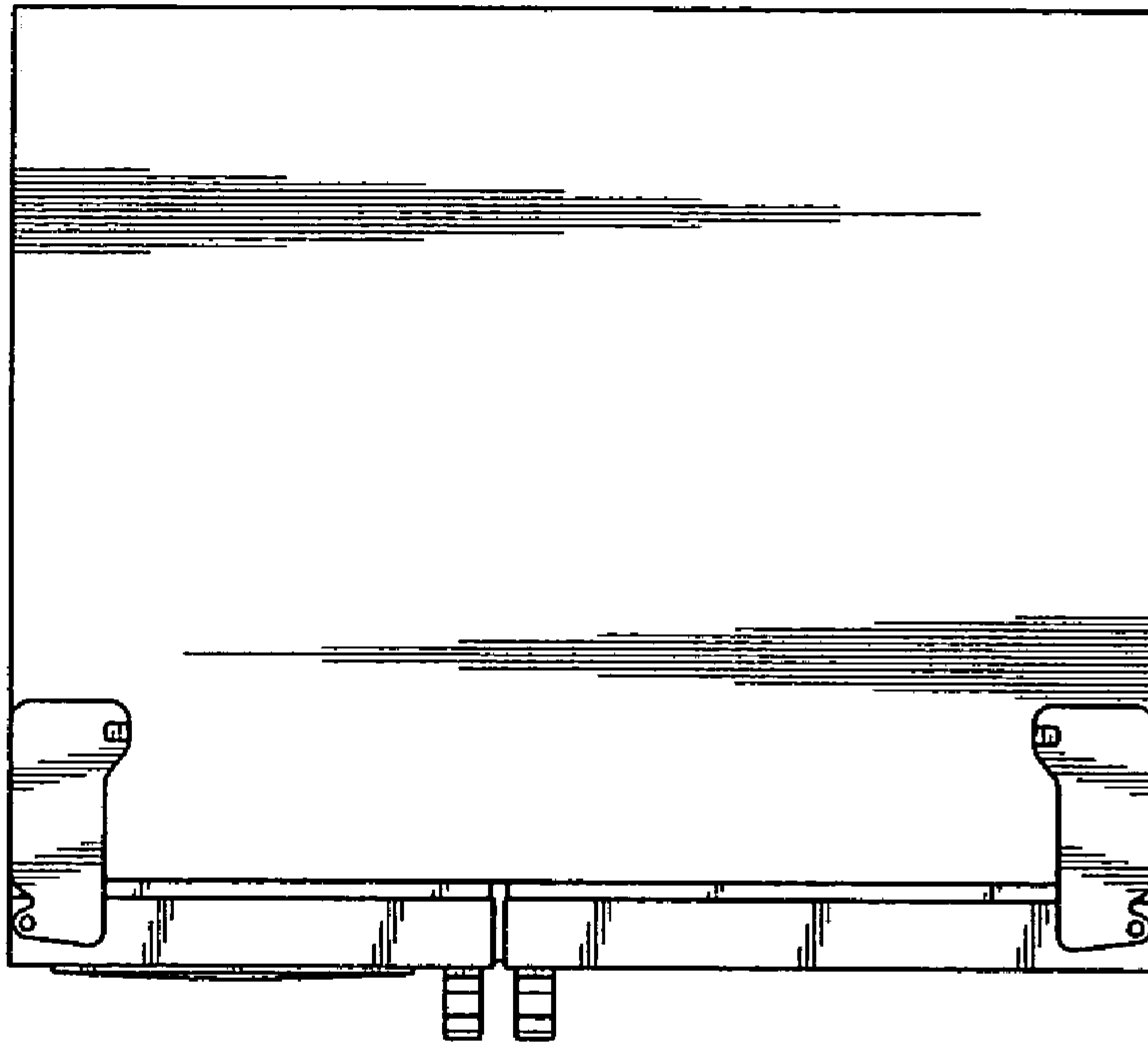


FIG. 5

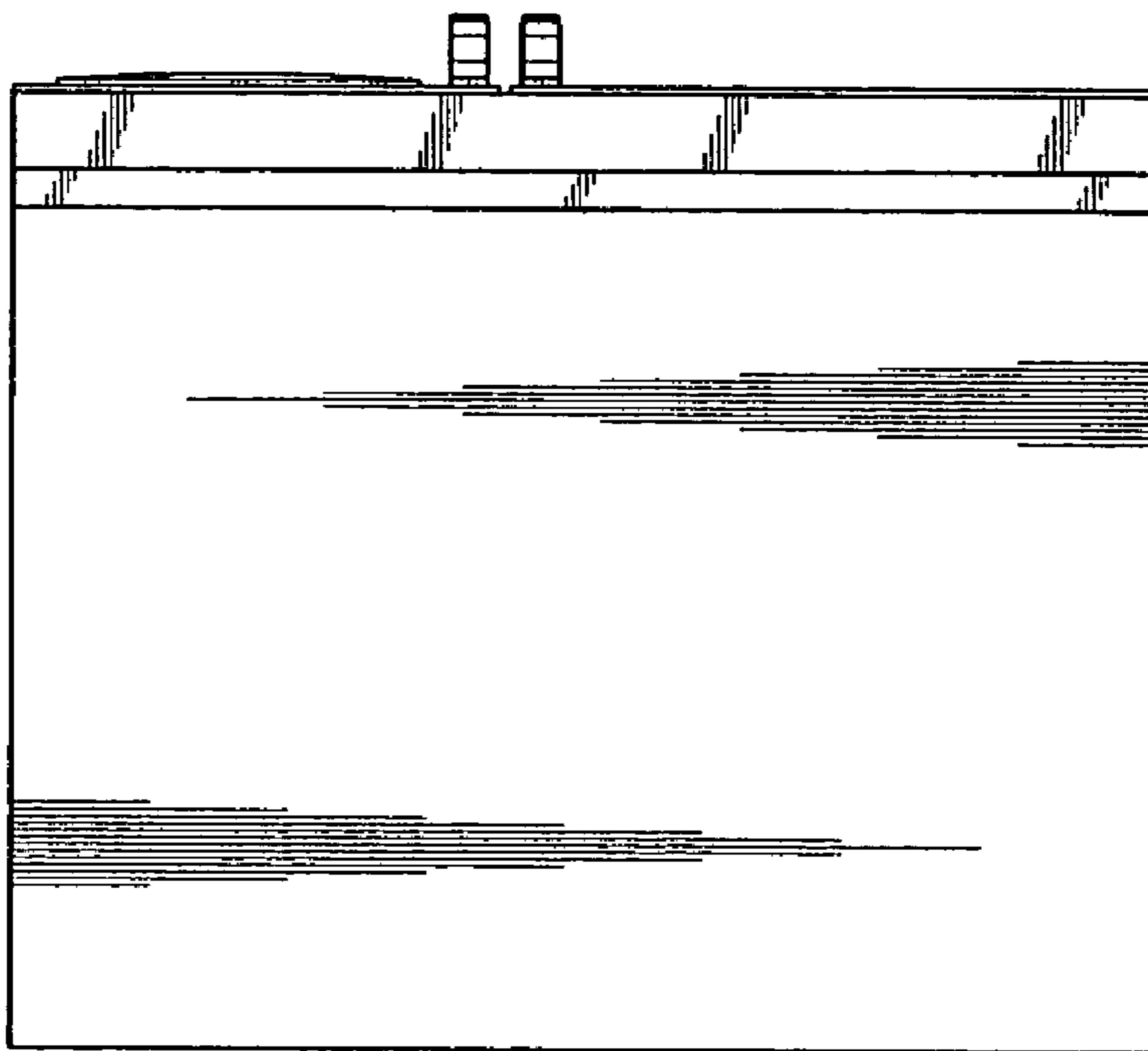


FIG. 6