



US00D543999S

(12) **United States Design Patent**  
**Braswell et al.**

(10) **Patent No.:** **US D543,999 S**

(45) **Date of Patent:** **\*\* Jun. 5, 2007**

(54) **CARBURETOR FLOAT BOWL**

6,874,768 B2 \* 4/2005 Grant ..... 261/70  
2001/0054773 A1 \* 12/2001 Braswell ..... 261/70

(75) Inventors: **David Braswell**, Marana, AZ (US);  
**Marvin Benoit**, Bowling Green, KY  
(US)

\* cited by examiner

(73) Assignee: **POW Engineering, Inc.**, Marana, AZ  
(US)

*Primary Examiner*—Ian Simmons

*Assistant Examiner*—Maurice Stevens

(74) *Attorney, Agent, or Firm*—Birdwell & Janke, LLP

(\*\*) Term: **14 Years**

(57) **CLAIM**

The ornamental design for a carburetor float bowl, substantially as shown and described.

(21) Appl. No.: **29/244,462**

(22) Filed: **Dec. 8, 2005**

**DESCRIPTION**

(51) **LOC (8) Cl.** ..... **15-01**

FIG. 1 is a front perspective view of a carburetor float bowl showing my new design.

(52) **U.S. Cl.** ..... **D15/6**

FIG. 2 is a back perspective view thereof.

(58) **Field of Classification Search** ..... D15/6;

FIG. 3 is a front elevation thereof.

261/23.2, 44.1, DIG. 12, DIG. 50, 70

FIG. 4 is a back elevation thereof.

See application file for complete search history.

FIG. 5 is a bottom view thereof.

FIG. 6 is a top view thereof; and,

(56) **References Cited**

**U.S. PATENT DOCUMENTS**

FIG. 7 is a side elevation thereof, where both the left and right side are mirror images.

3,875,267 A \* 4/1975 Seki et al. .... 261/70

The broken line shown in FIGS. 1–7 are included for the purpose of illustrating environment and form no part of the claimed design.

6,364,291 B1 \* 4/2002 Grant ..... 261/70

D457,895 S \* 5/2002 Braswell ..... D15/6

D457,896 S 5/2002 Braswell

6,554,258 B2 4/2003 Braswell

6,701,784 B1 \* 3/2004 Matusek et al. .... 73/313

**1 Claim, 4 Drawing Sheets**

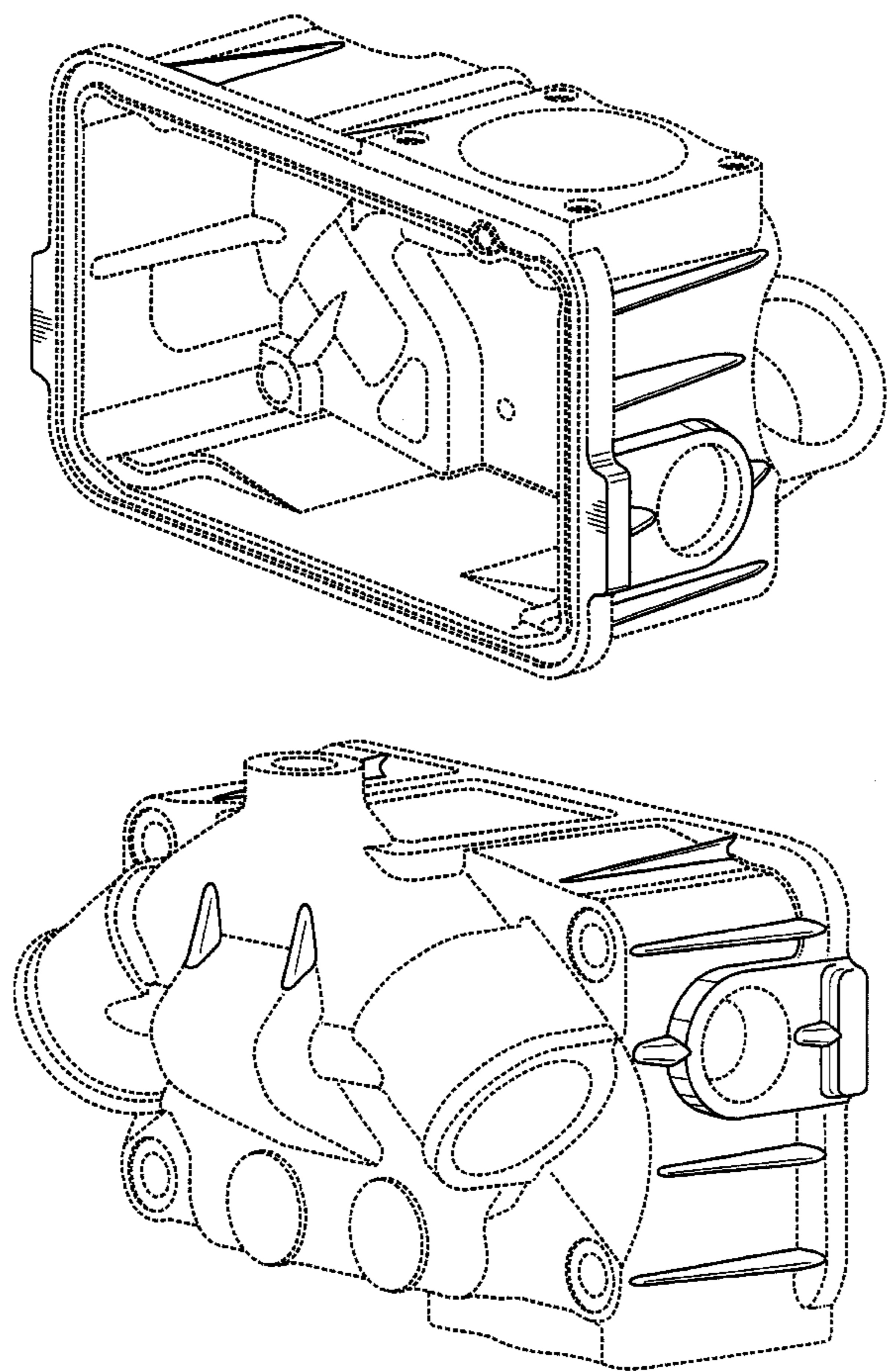


Fig. 1

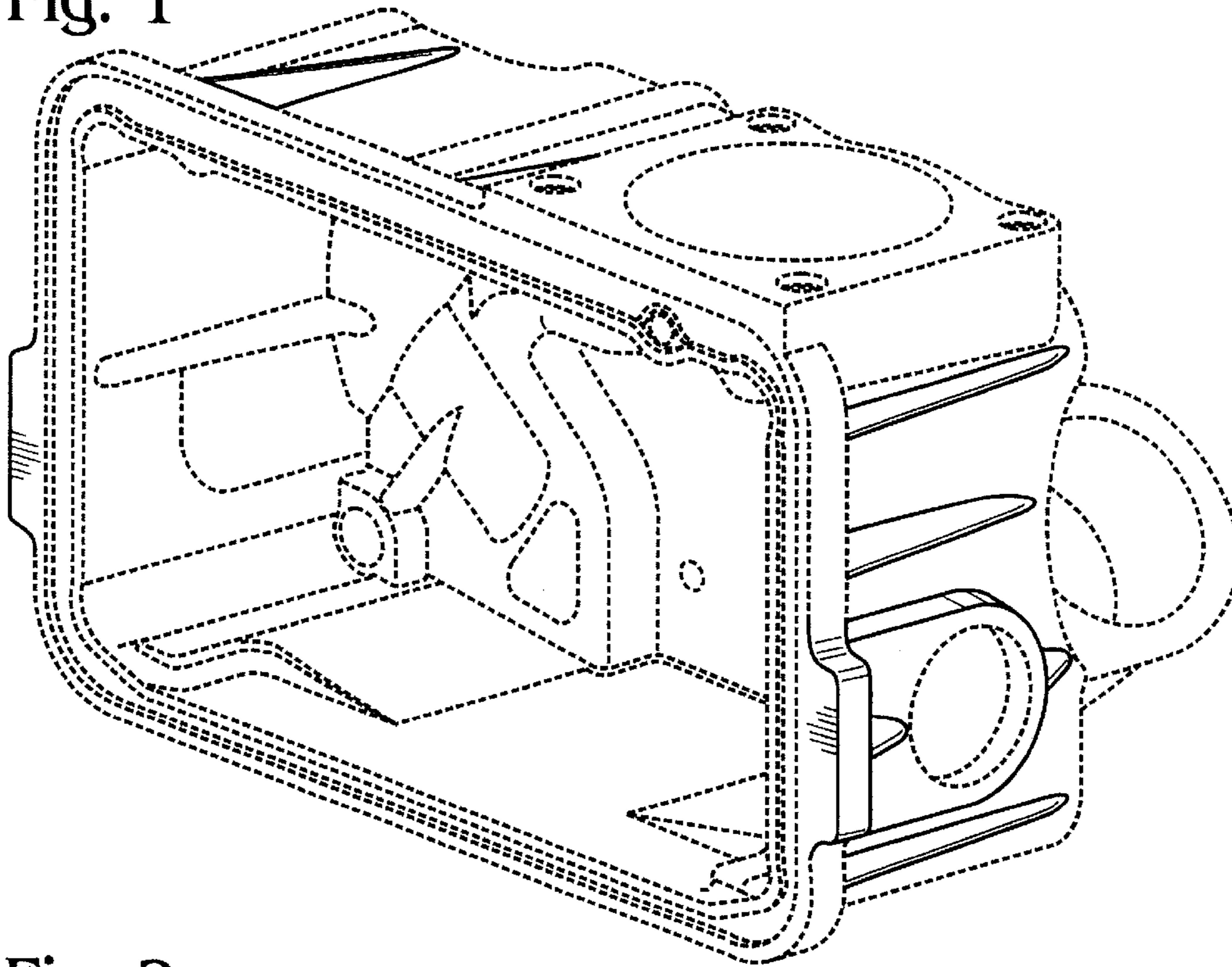


Fig. 2

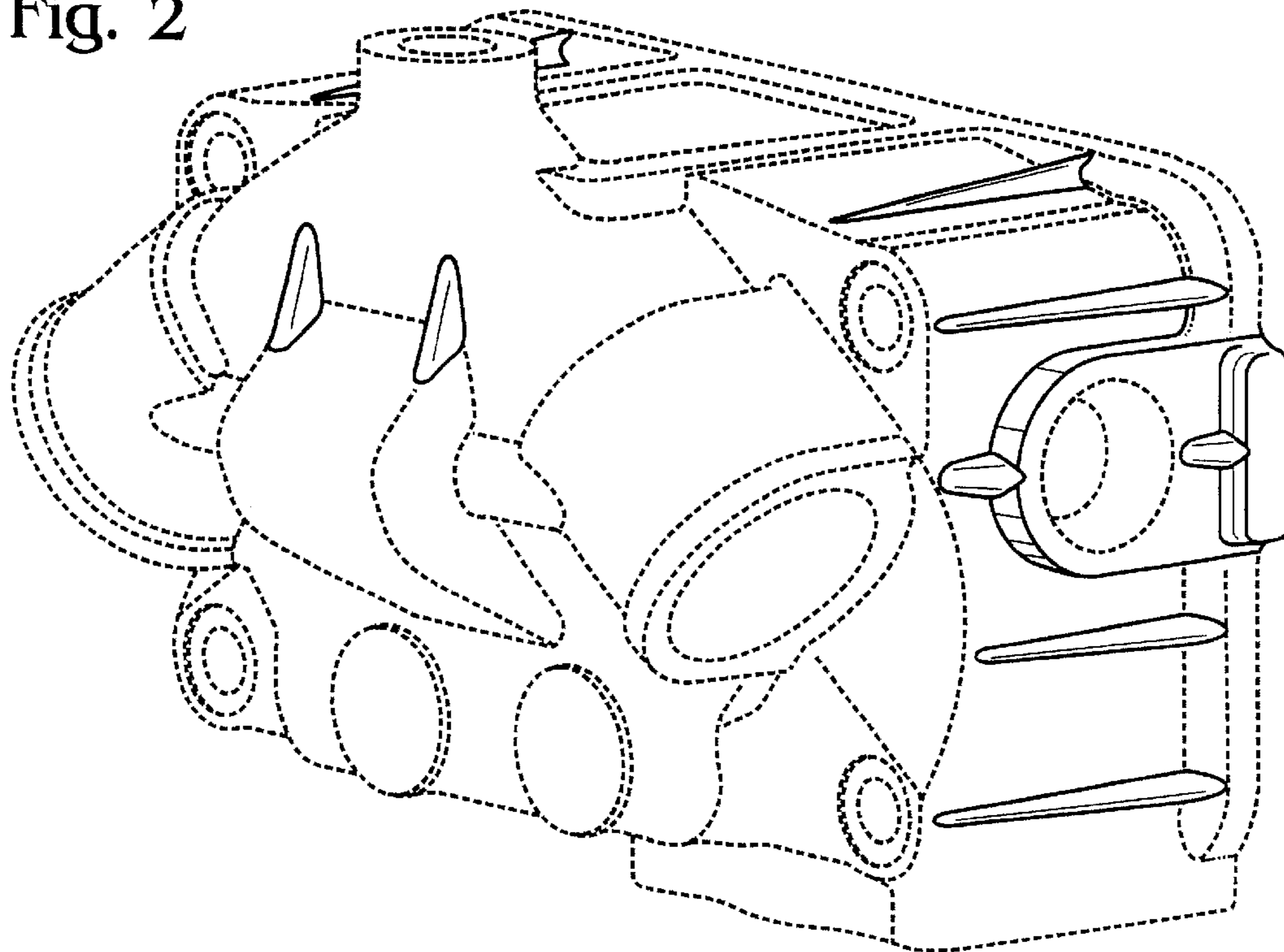


Fig. 3

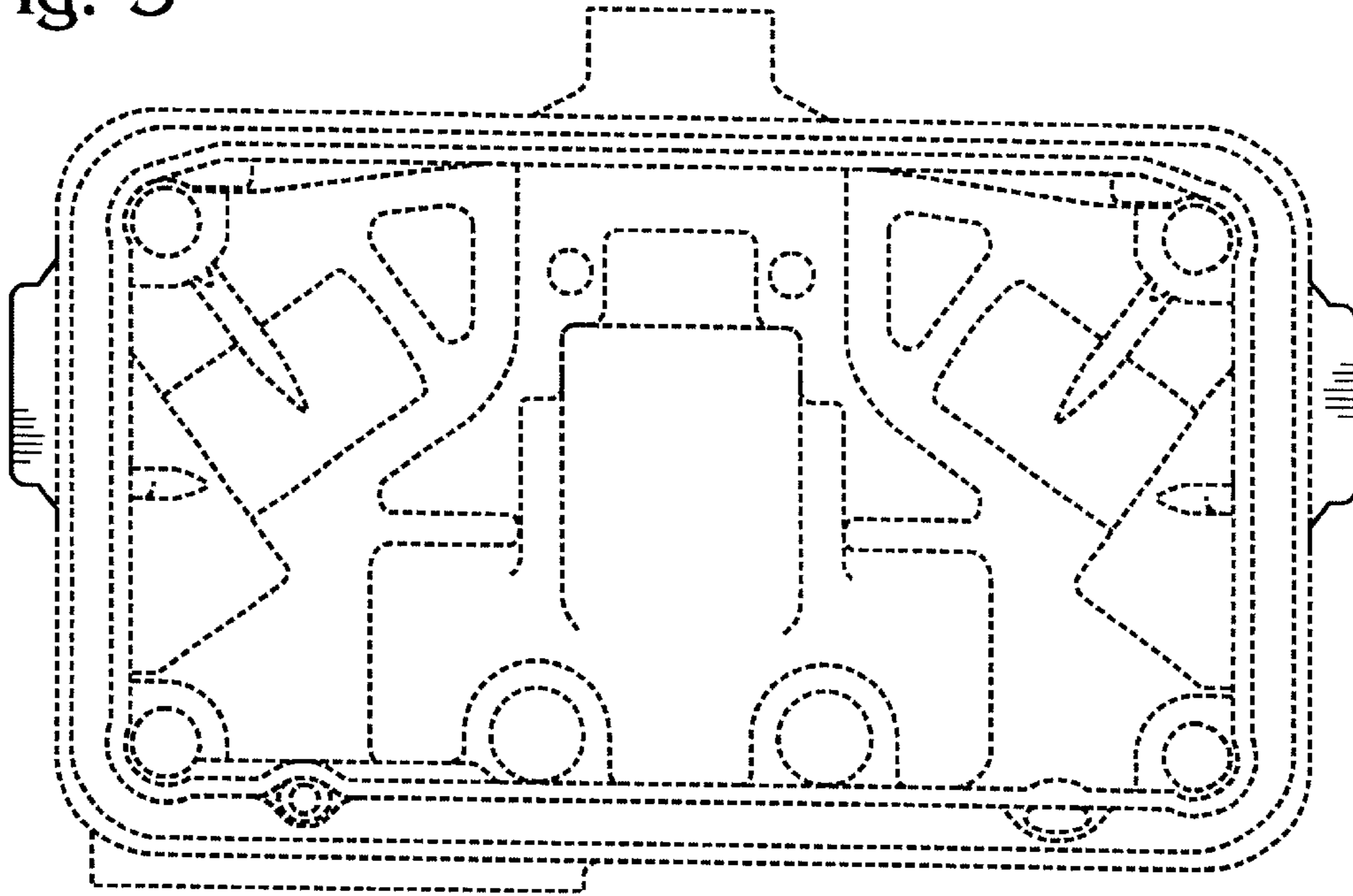


Fig. 4

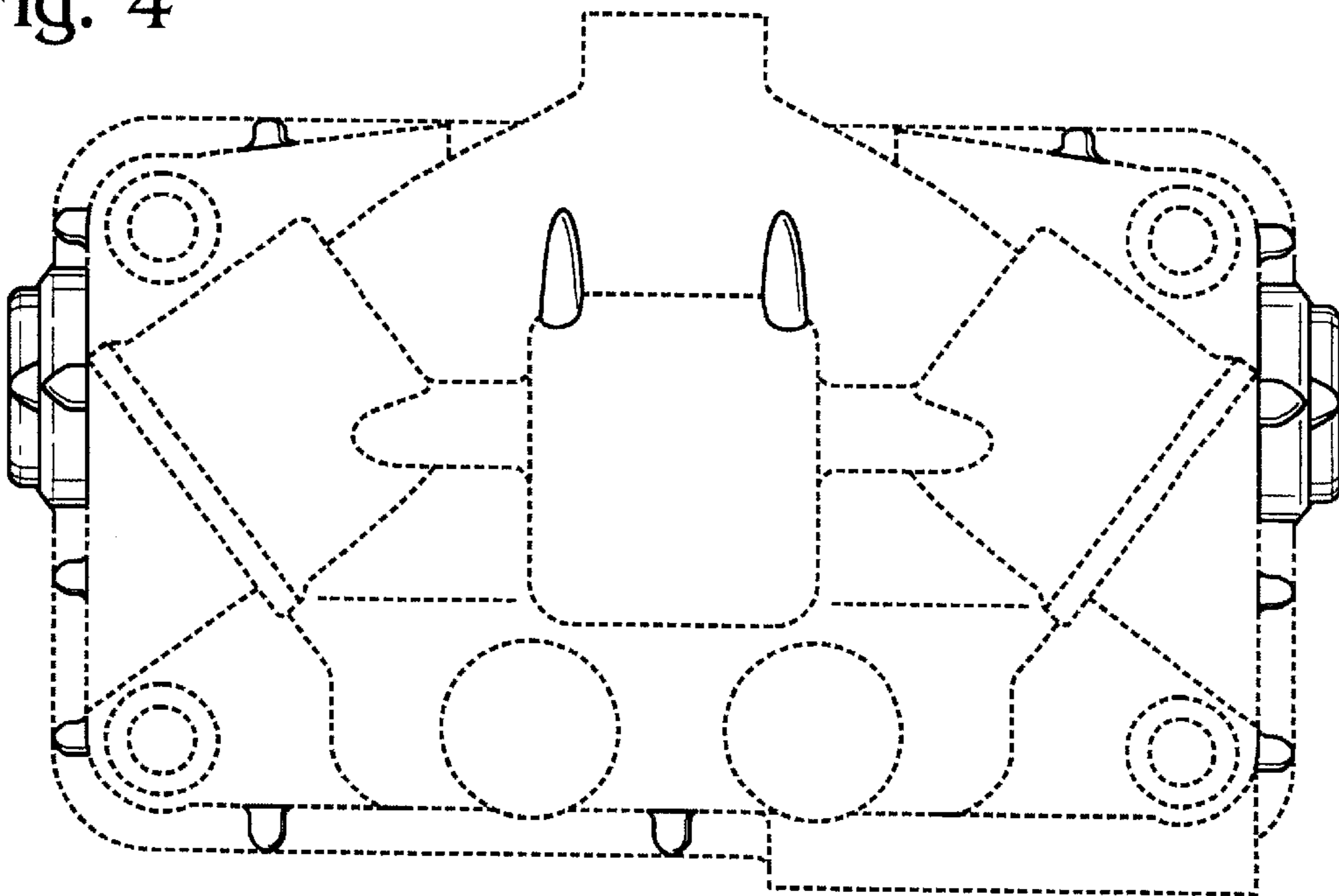




Fig. 5

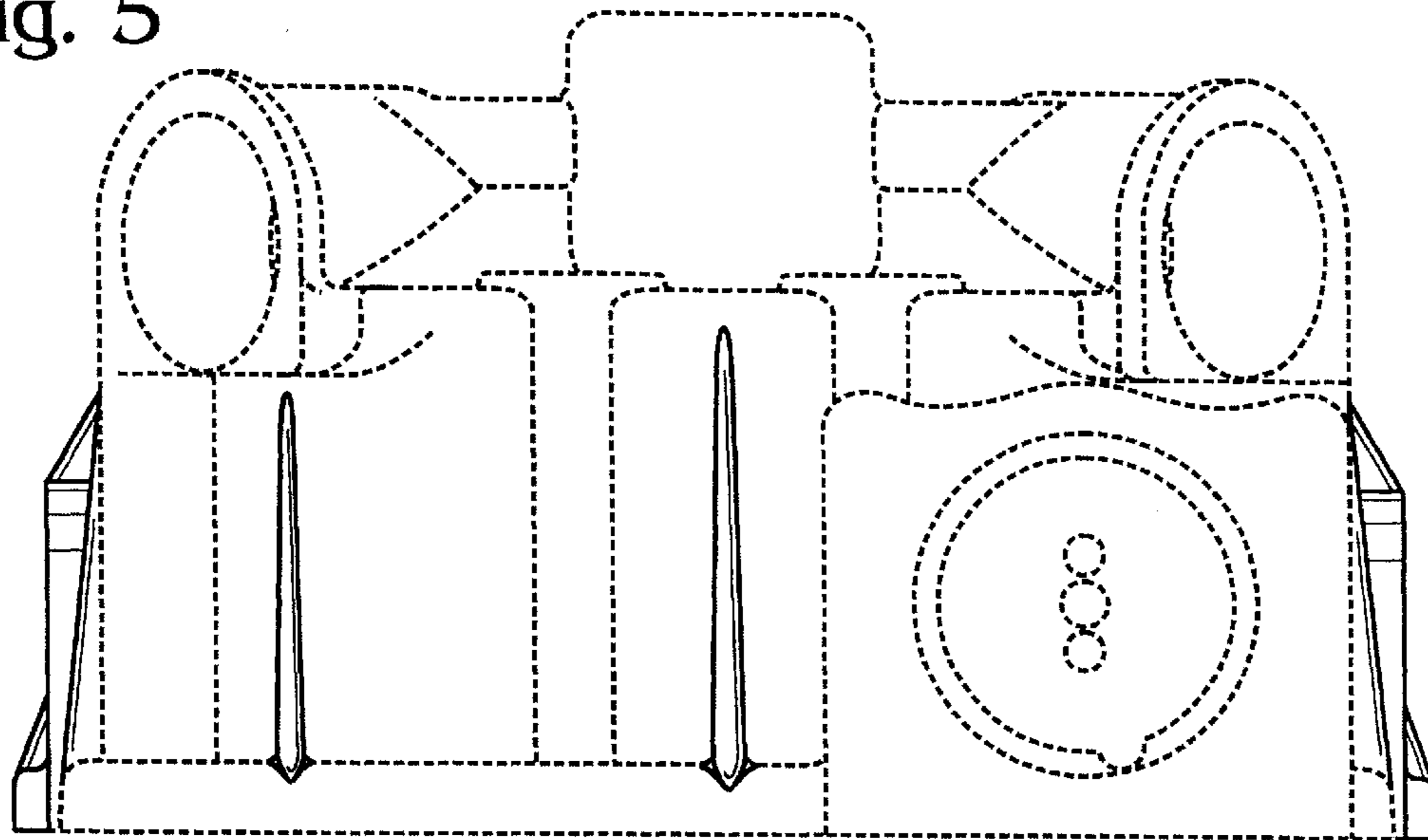


Fig. 6

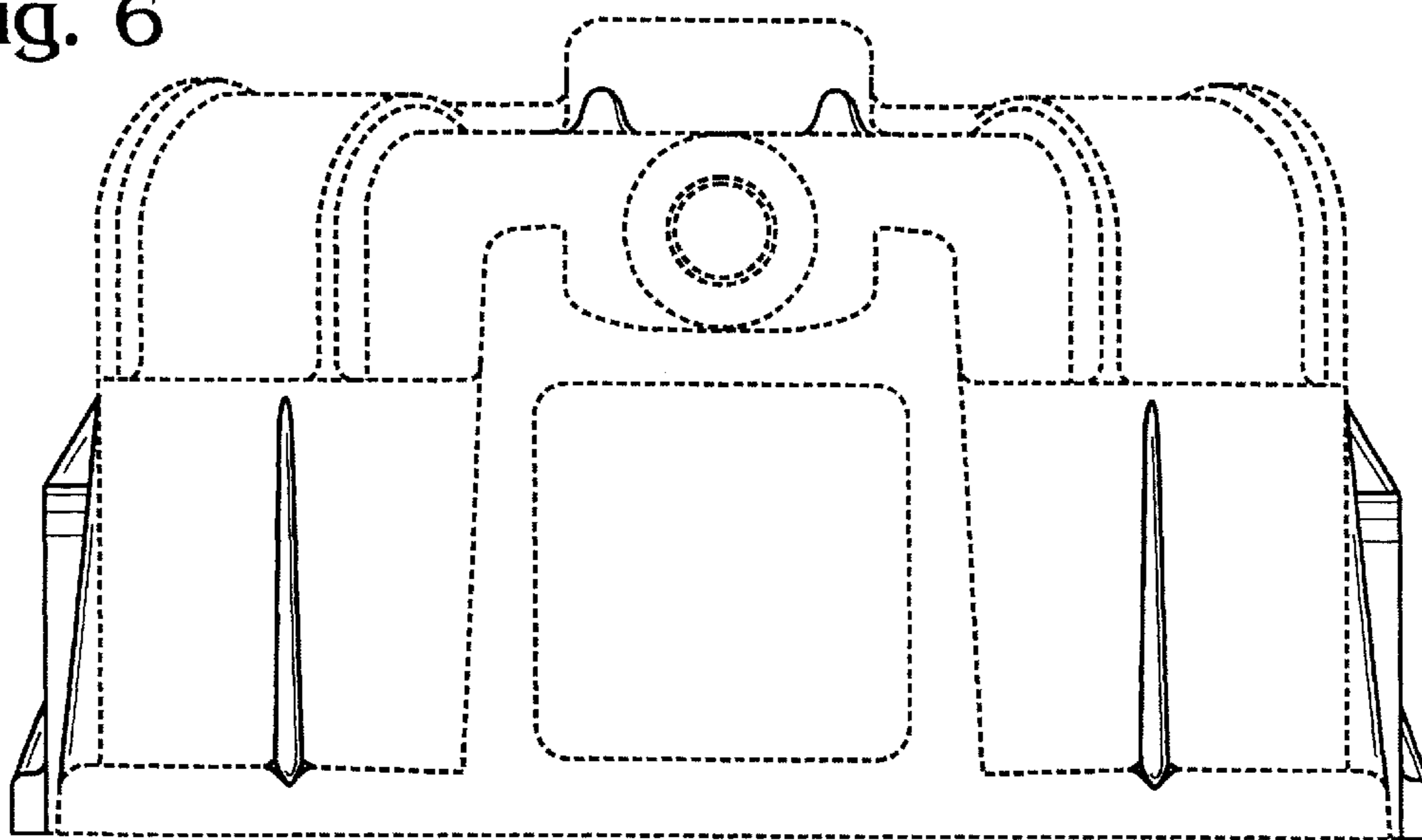


Fig. 7

