

US00D543998S

(12) **United States Design Patent**  
**Platt**

(10) **Patent No.:** **US D543,998 S**

(45) **Date of Patent:** **\*\* Jun. 5, 2007**

(54) **TWO-PIECE VALVE COVER**

(76) **Inventor:** **Richard B. Platt**, 381 Country Club  
La., Grosse Pointe Farms, MI (US)  
48236

(\*\*) **Term:** **14 Years**

(21) **Appl. No.:** **29/266,587**

(22) **Filed:** **Sep. 25, 2006**

(51) **LOC (8) Cl.** ..... **15-01**

(52) **U.S. Cl.** ..... **D15/5**

(58) **Field of Classification Search** ..... D15/1,  
D15/5; D12/400; D23/233; 123/90.33,  
123/90.37, 90.38, 195 C, 198 E, 90.27, 572,  
123/573; 184/6.5, 6.9

See application file for complete search history.

(56) **References Cited**

**U.S. PATENT DOCUMENTS**

D252,878 S	9/1979	Bellino et al.	
4,492,189 A	1/1985	Ogawa et al.	
4,538,560 A *	9/1985	Alden .....	123/90.38
4,788,950 A	12/1988	Finley	
D305,123 S	12/1989	Garrett et al.	
D305,767 S	1/1990	Tauschke	
D306,735 S	3/1990	Finley	
D324,867 S	3/1992	Lyndhurst et al.	
5,367,993 A	11/1994	Tulach et al.	
5,513,604 A *	5/1996	Clement .....	123/90.38
D418,844 S	1/2000	Occhiuto	

D422,551 S	4/2000	Haines	
6,382,158 B1	5/2002	Durnen	
6,491,014 B1	12/2002	Eickert	
D479,244 S	9/2003	Kern et al.	
D479,721 S	9/2003	Kern et al.	
D503,724 S	4/2005	Grant	
D531,641 S *	11/2006	Schultz et al. ....	D15/5
D533,567 S *	12/2006	D'Amico .....	D15/5

\* cited by examiner

*Primary Examiner*—Alan P. Douglas

*Assistant Examiner*—Maurice Stevens

(74) *Attorney, Agent, or Firm*—Dickinson Wright PLLC

(57) **CLAIM**

I claim the ornamental design for a two-piece valve cover, as shown and described.

**DESCRIPTION**

The two-piece valve cover is useful for covering and allowing access to the head of an internal combustion engine.

FIG. 1 is a perspective view of the two-piece valve cover, showing my new design;

FIG. 2 is a rear elevational view thereof;

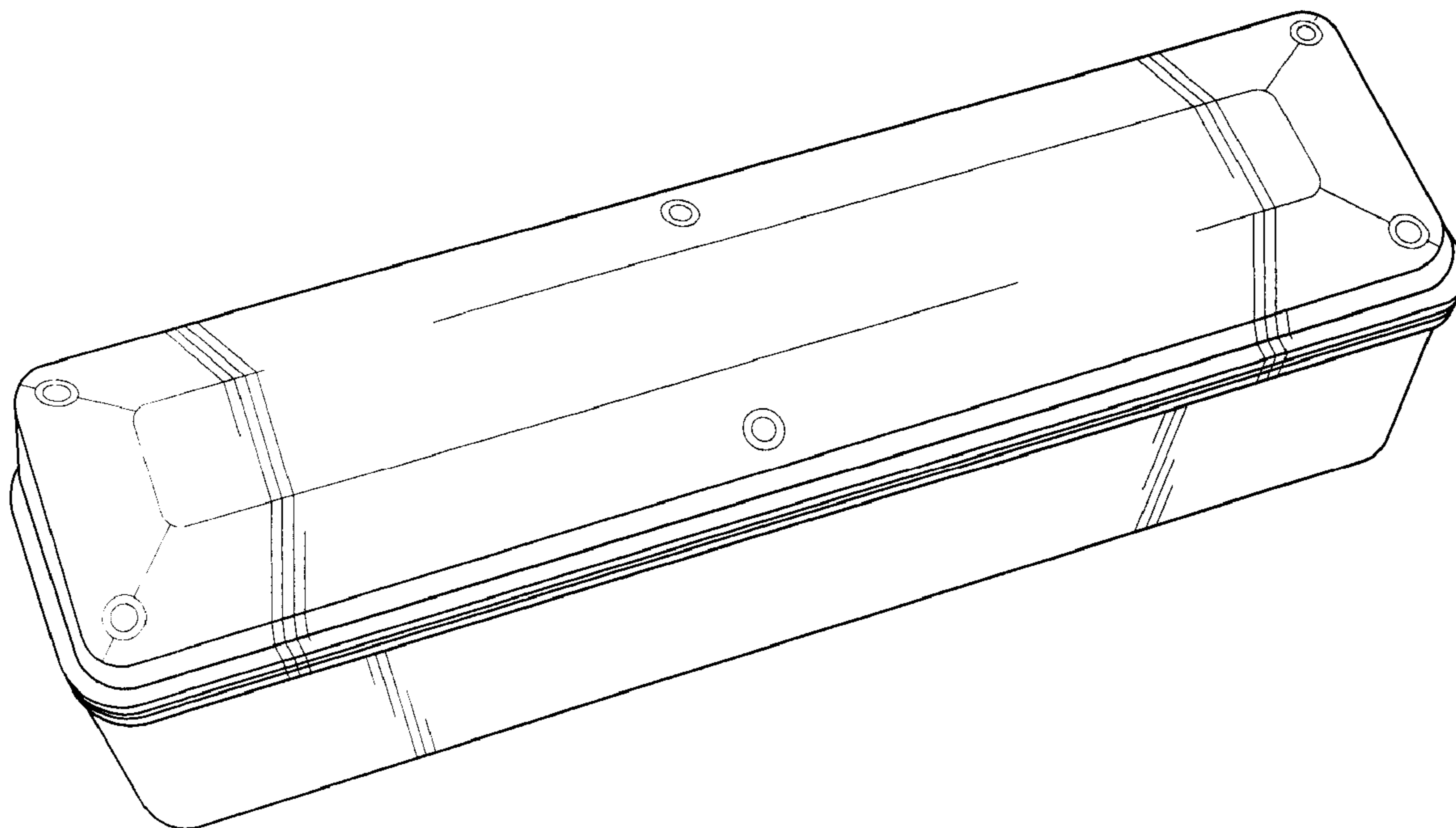
FIG. 3 is a front elevational view thereof;

FIG. 4 is a top view thereof;

FIG. 5 is a left side elevational view thereof; and,

FIG. 6 is a right side elevational view thereof.

**1 Claim, 3 Drawing Sheets**



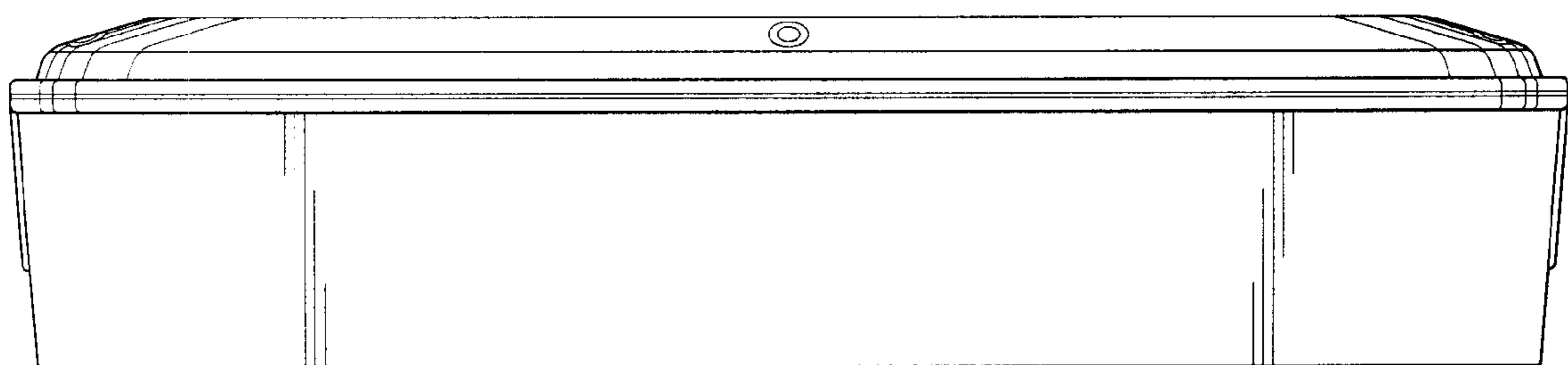
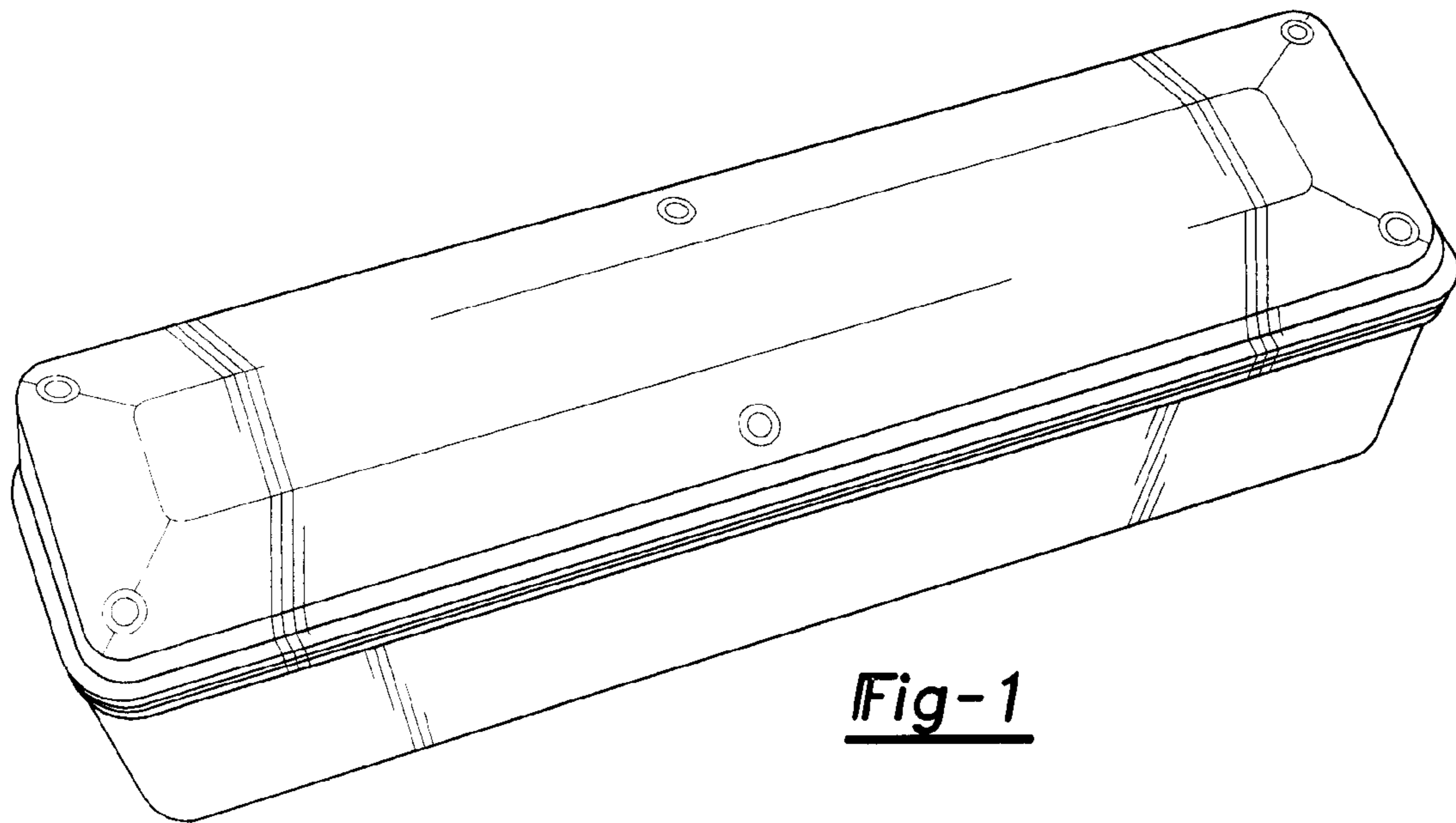


Fig-2

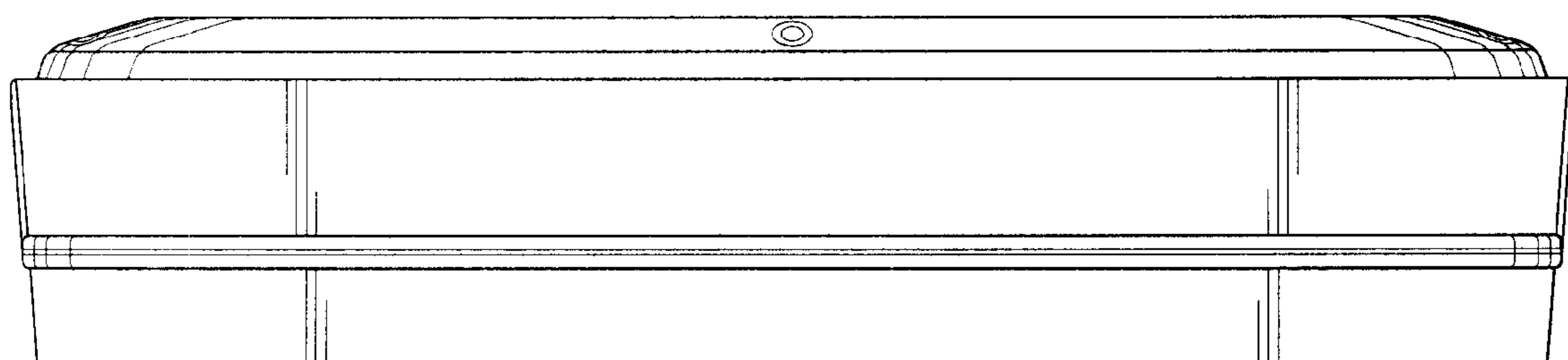


Fig-3

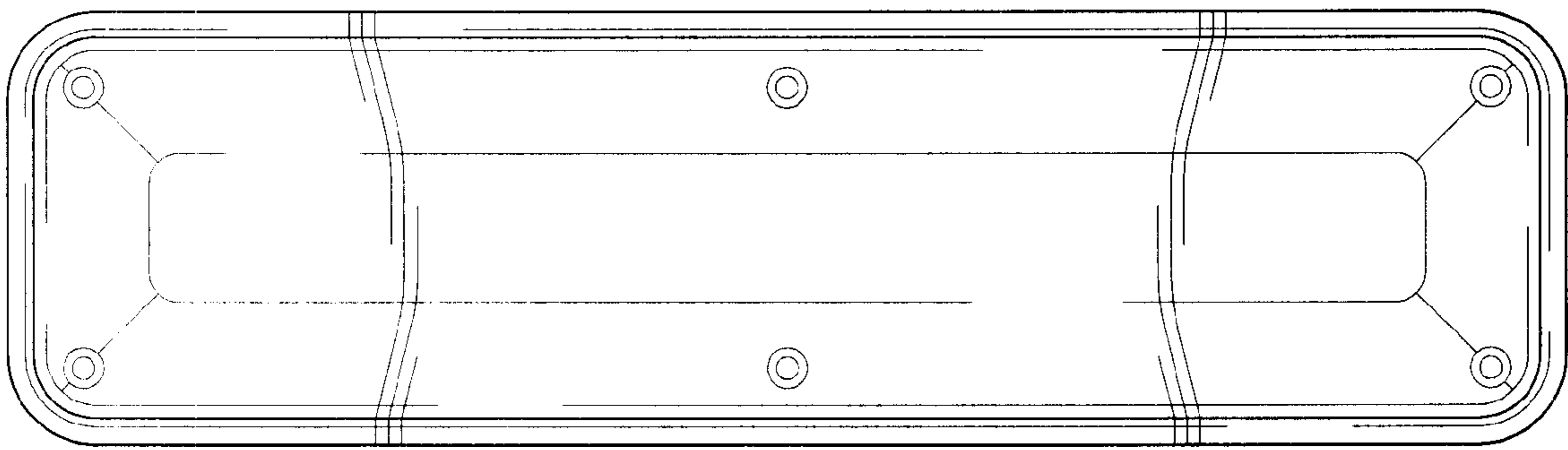


Fig-4

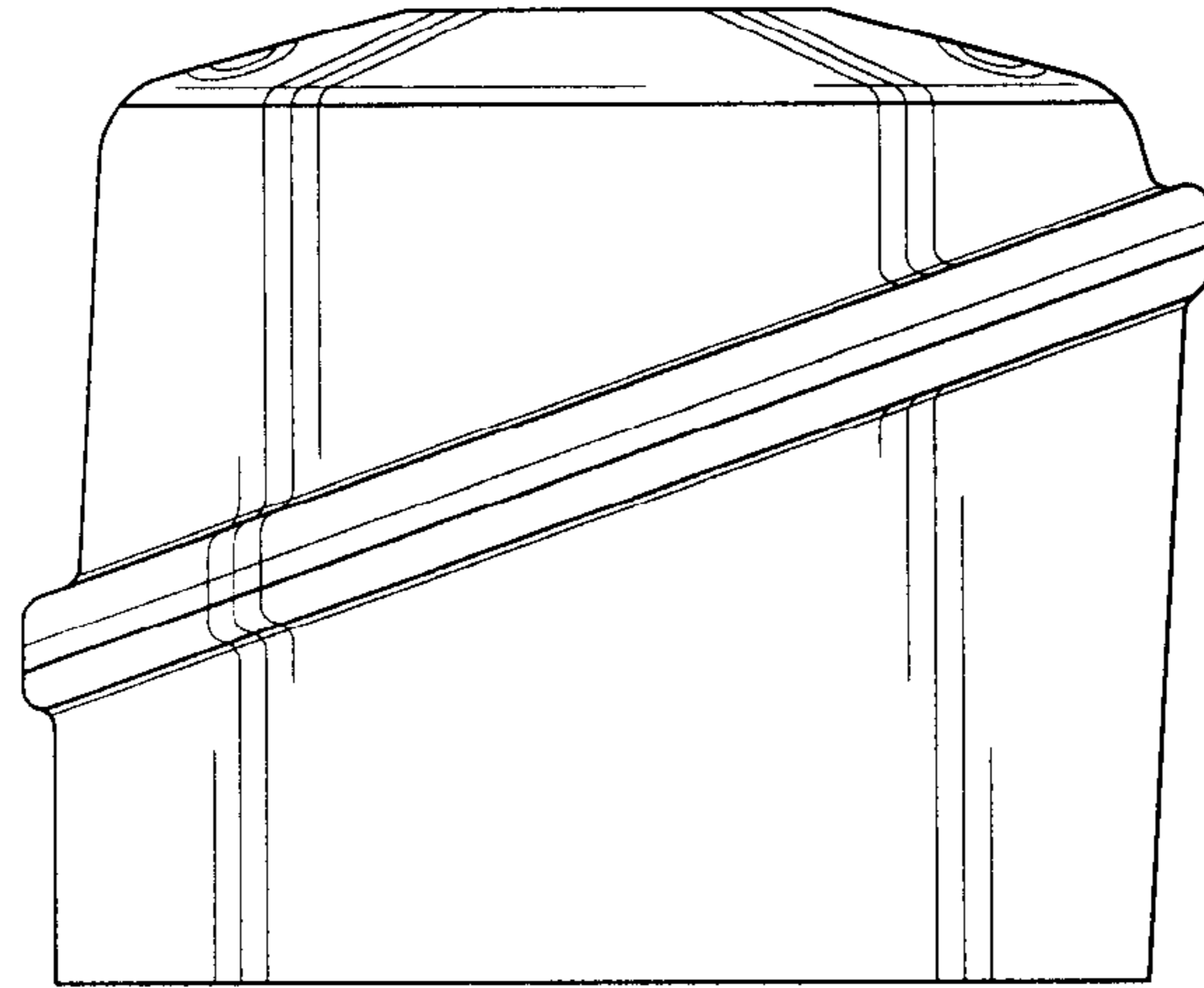


Fig-5

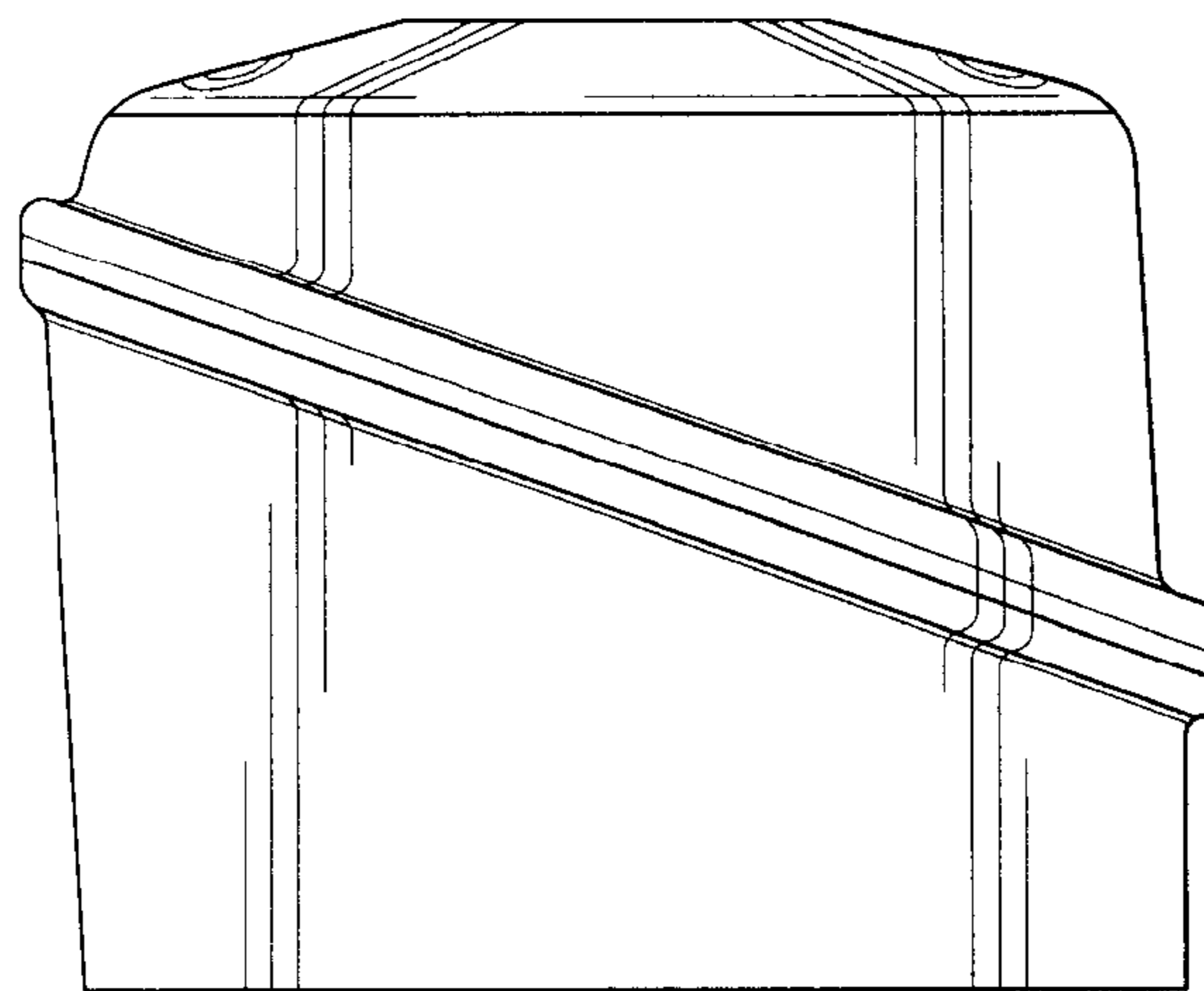


Fig-6