

US00D543997S

(12) **United States Design Patent**
Nimberger

(10) **Patent No.:** **US D543,997 S**

(45) **Date of Patent:** **** Jun. 5, 2007**

(54) **5 VALVE PORT MANIFOLD**

D520,598 S * 5/2006 Nimberger D23/233
D521,596 S * 5/2006 Nimberger D23/233

(75) Inventor: **Spencer M. Nimberger**, Houston, TX
(US)

* cited by examiner

(73) Assignee: **PGI International, Ltd.**, Houston, TX
(US)

Primary Examiner—Alan P. Douglas
Assistant Examiner—Maurice Stevens

(74) *Attorney, Agent, or Firm*—Browning Bushman P.C.

(**) Term: **14 Years**

(57) **CLAIM**

(21) Appl. No.: **29/264,963**

The ornamental design for a 5 valve port manifold, as shown and described.

(22) Filed: **Aug. 22, 2006**

(51) **LOC (8) Cl.** **15-01**

(52) **U.S. Cl.** **D15/5**

(58) **Field of Classification Search** D15/5;
D23/233, 269; 137/596.13, 596.16, 597.16,
137/1, 505.38, 352, 343, 577

See application file for complete search history.

DESCRIPTION

FIG. 1 is a perspective view of a 5 valve port manifold, showing my new design;

FIG. 2 is a top view thereof;

FIG. 3 is a bottom view thereof;

FIG. 4 is a rear view thereof;

FIG. 5 is a front view thereof; and,

FIG. 6 is a right-side view thereof, the left-side view is a mirror image thereof.

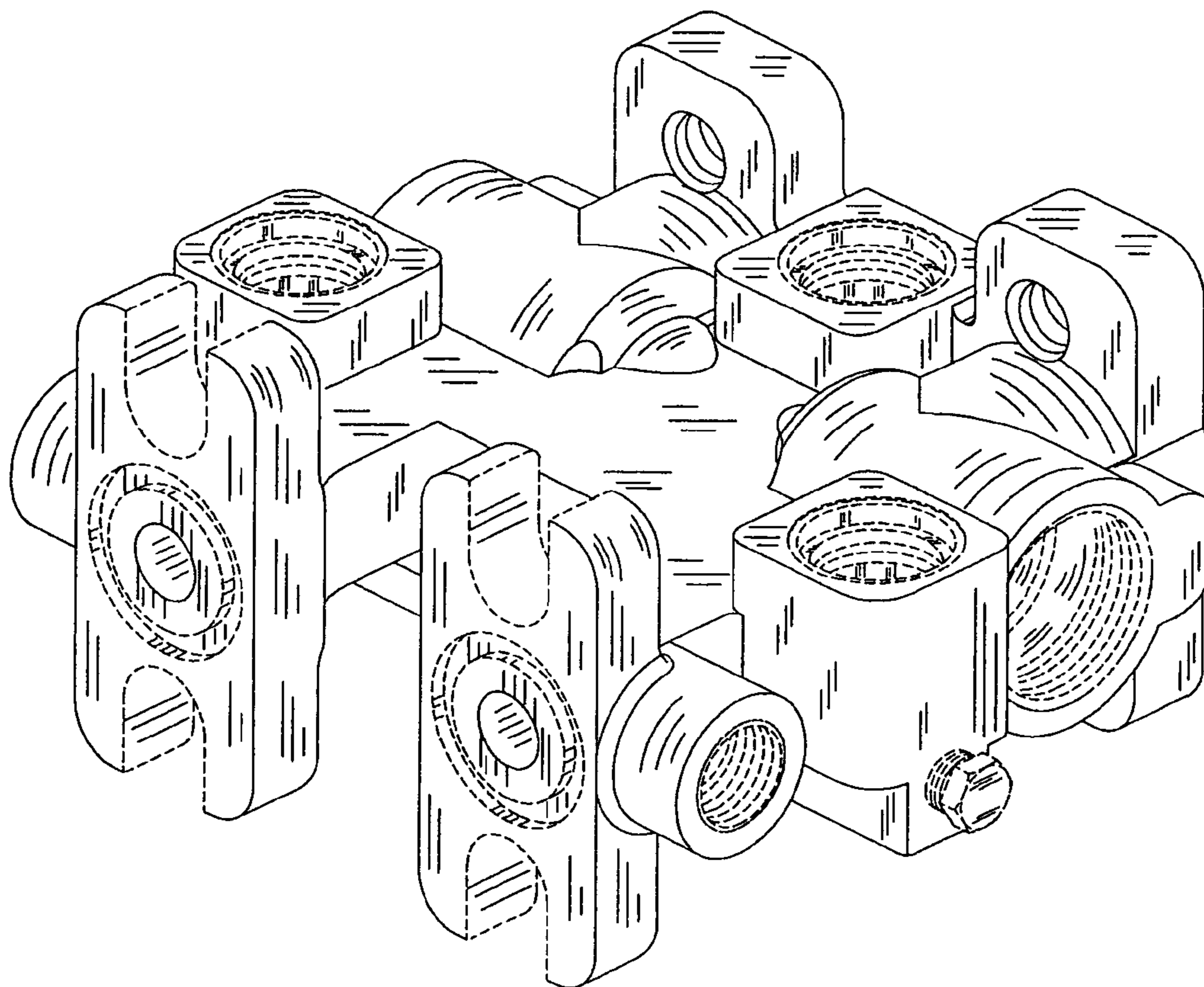
The broken lines shown in the figures are for illustrative purposes only and form no part of the claimed design.

(56) **References Cited**

U.S. PATENT DOCUMENTS

D398,375 S * 9/1998 Lynch et al. D23/245
D406,320 S * 3/1999 Lynch et al. D23/245
D519,189 S * 4/2006 Nimberger D23/233
D520,110 S * 5/2006 Nimberger D23/233
D520,520 S * 5/2006 Nimberger D15/5

1 Claim, 6 Drawing Sheets



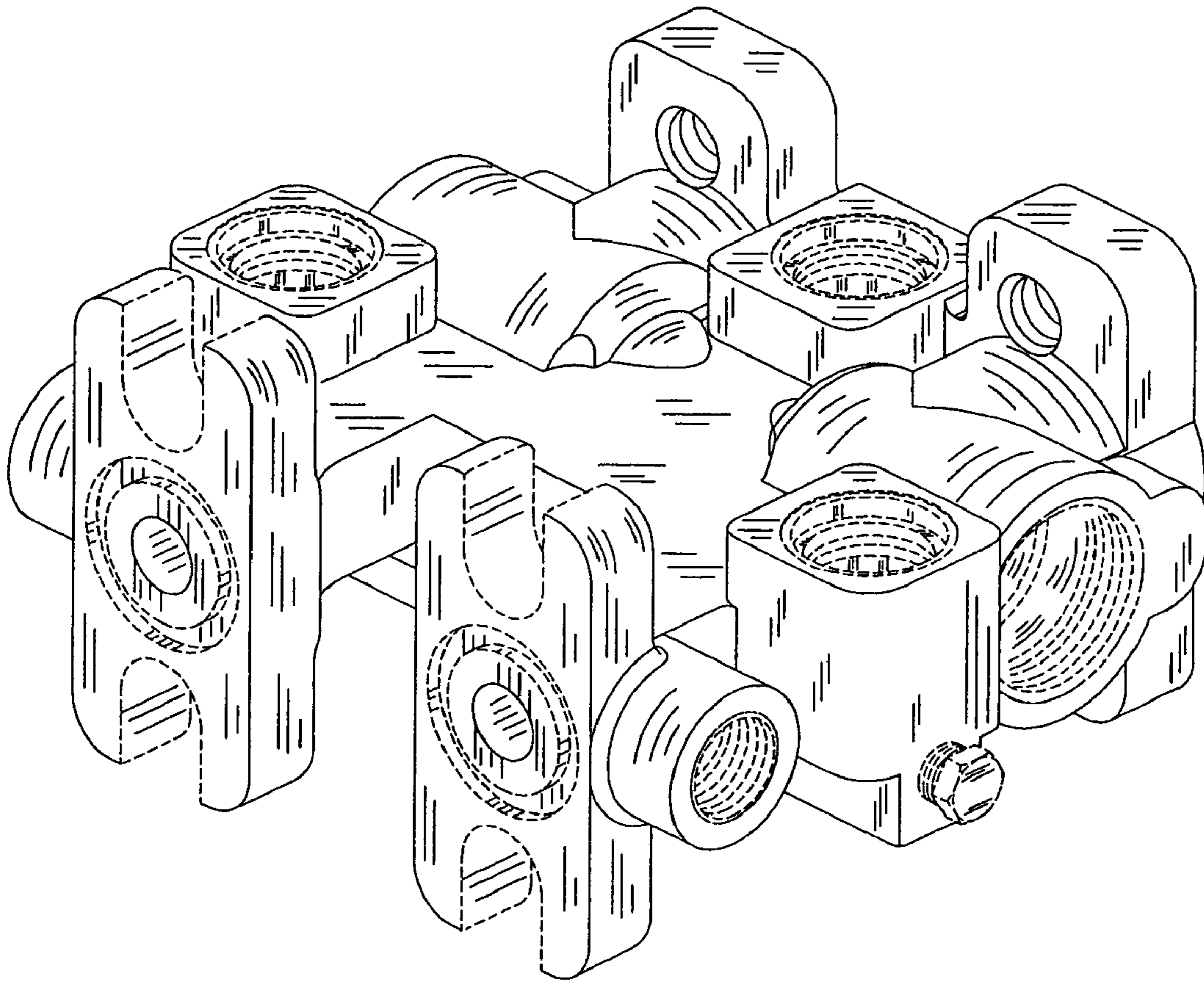


FIG. 1

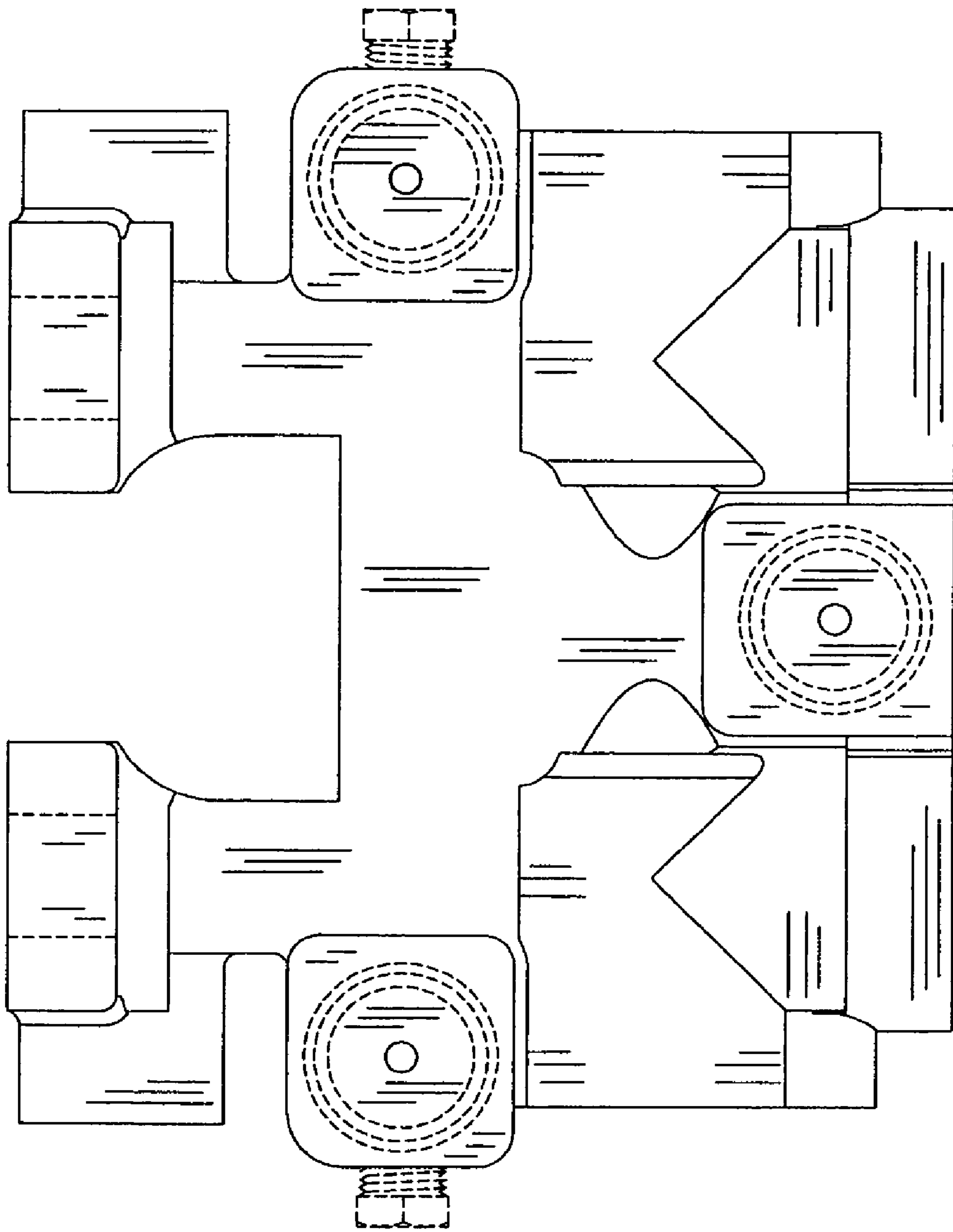


FIG. 2

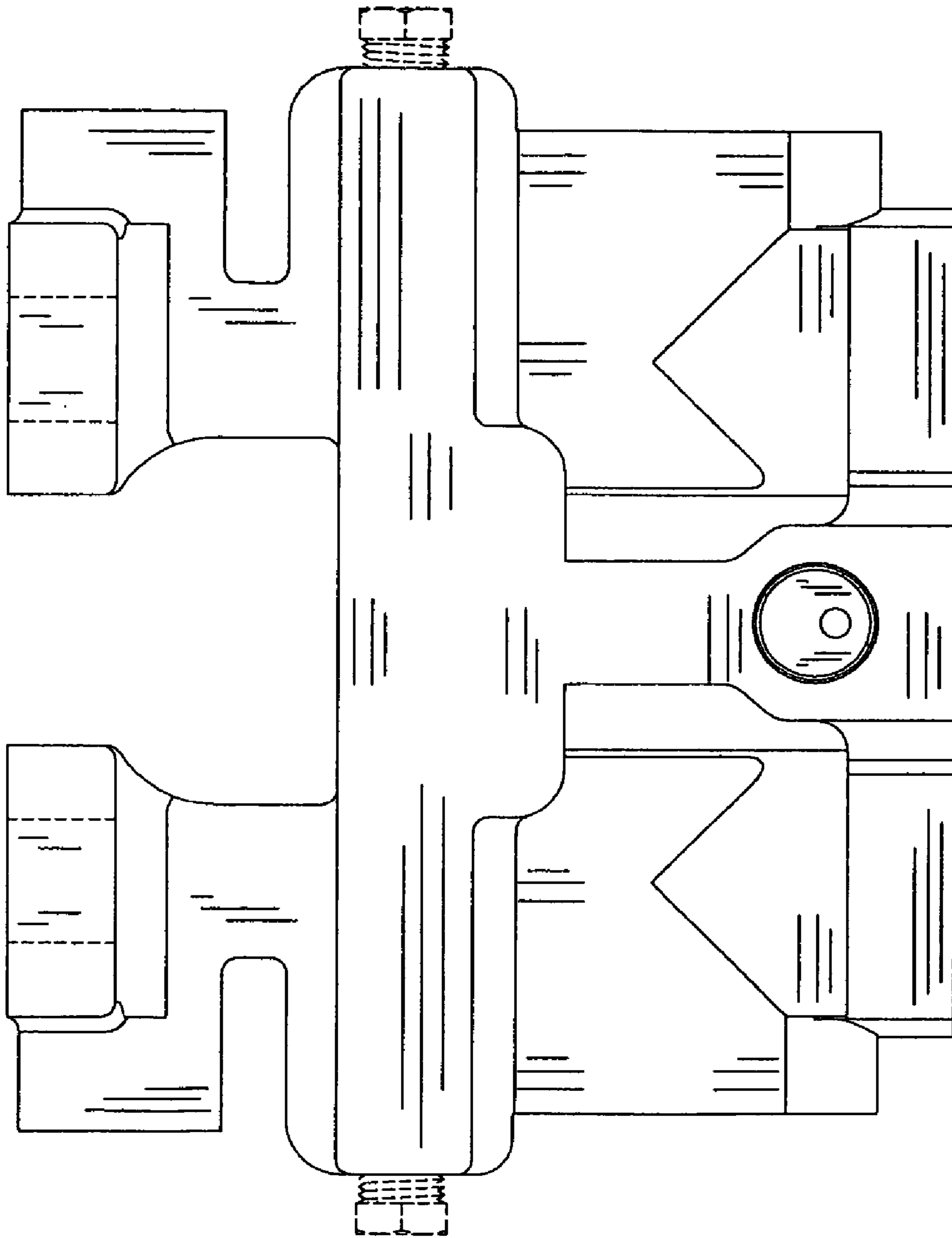


FIG. 3

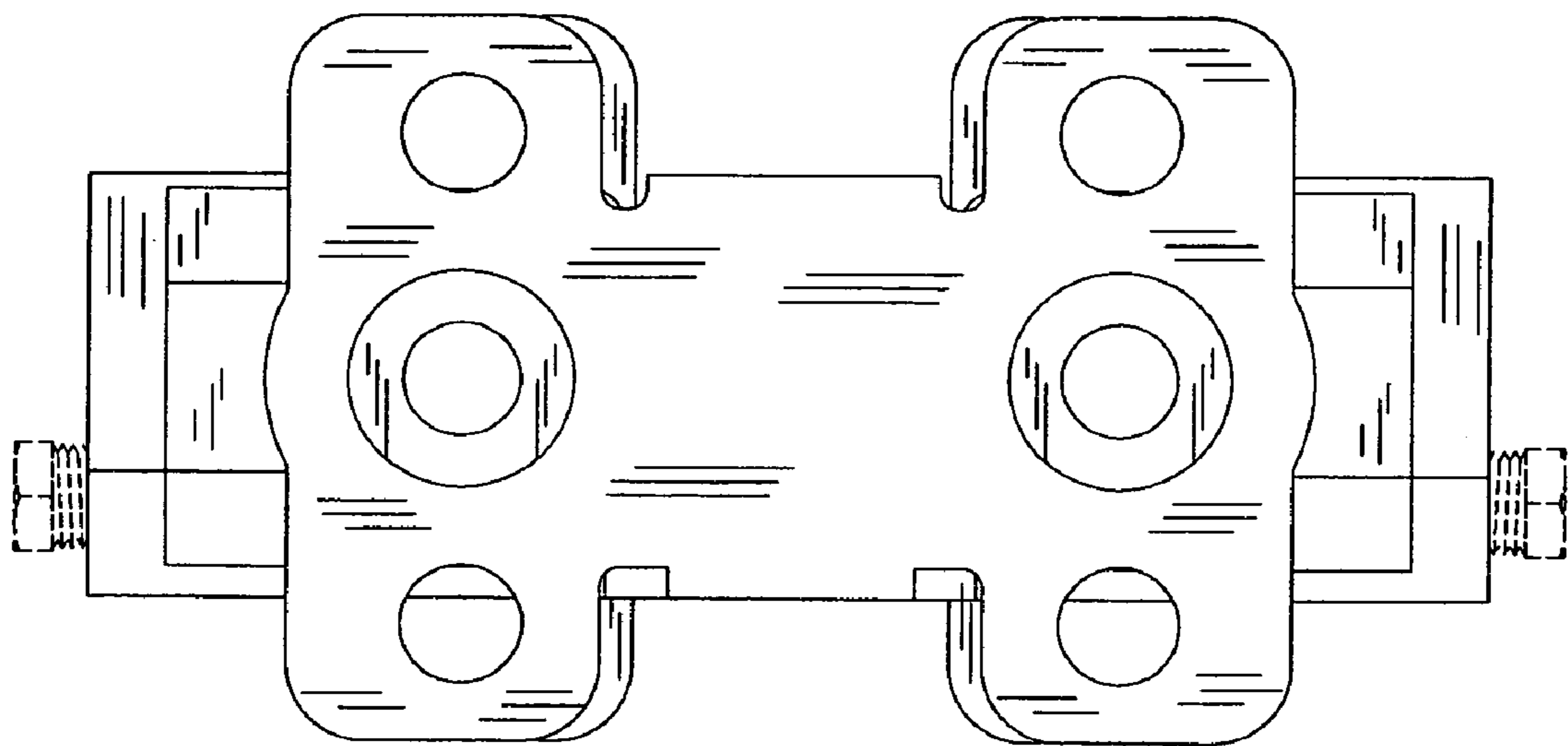


FIG. 4

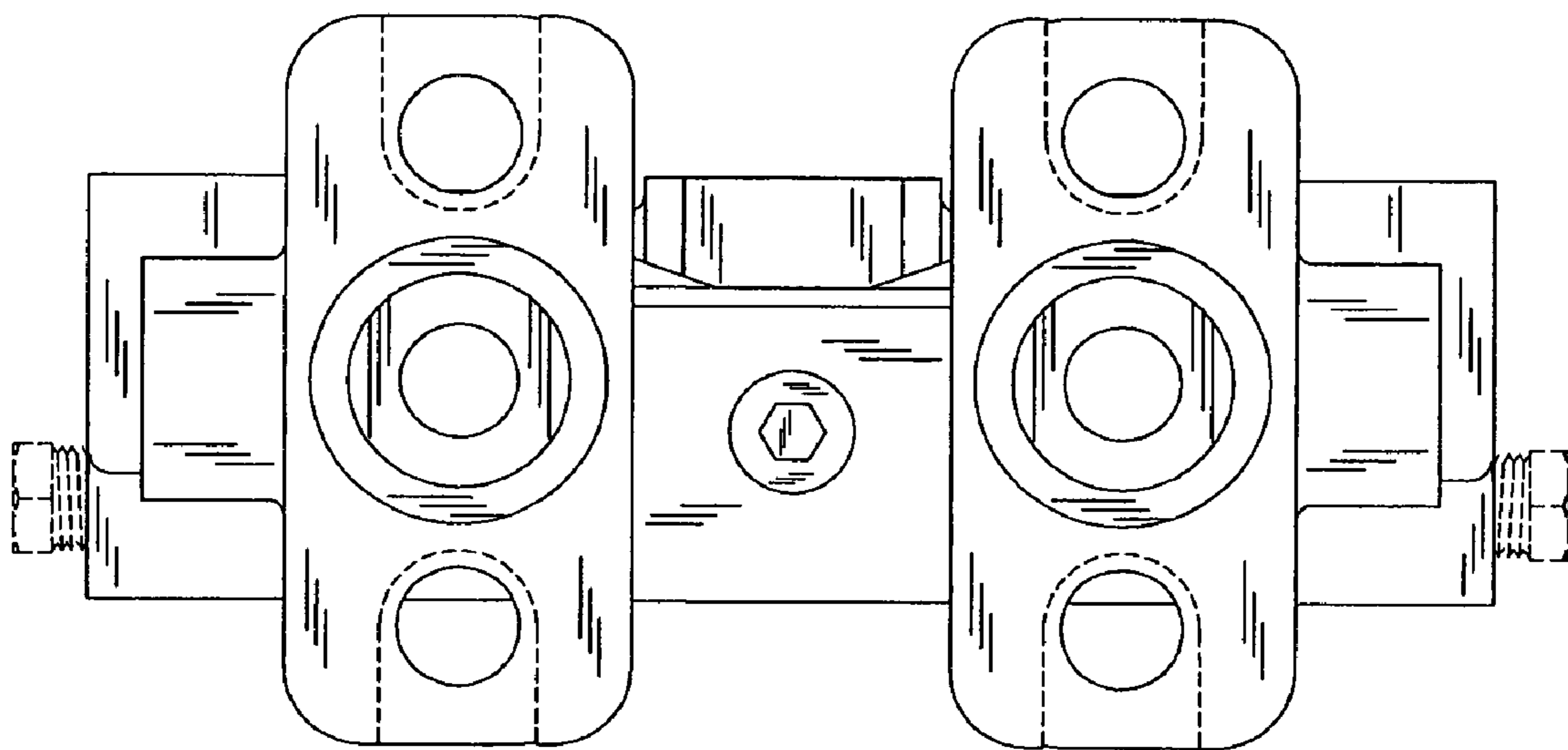


FIG. 5

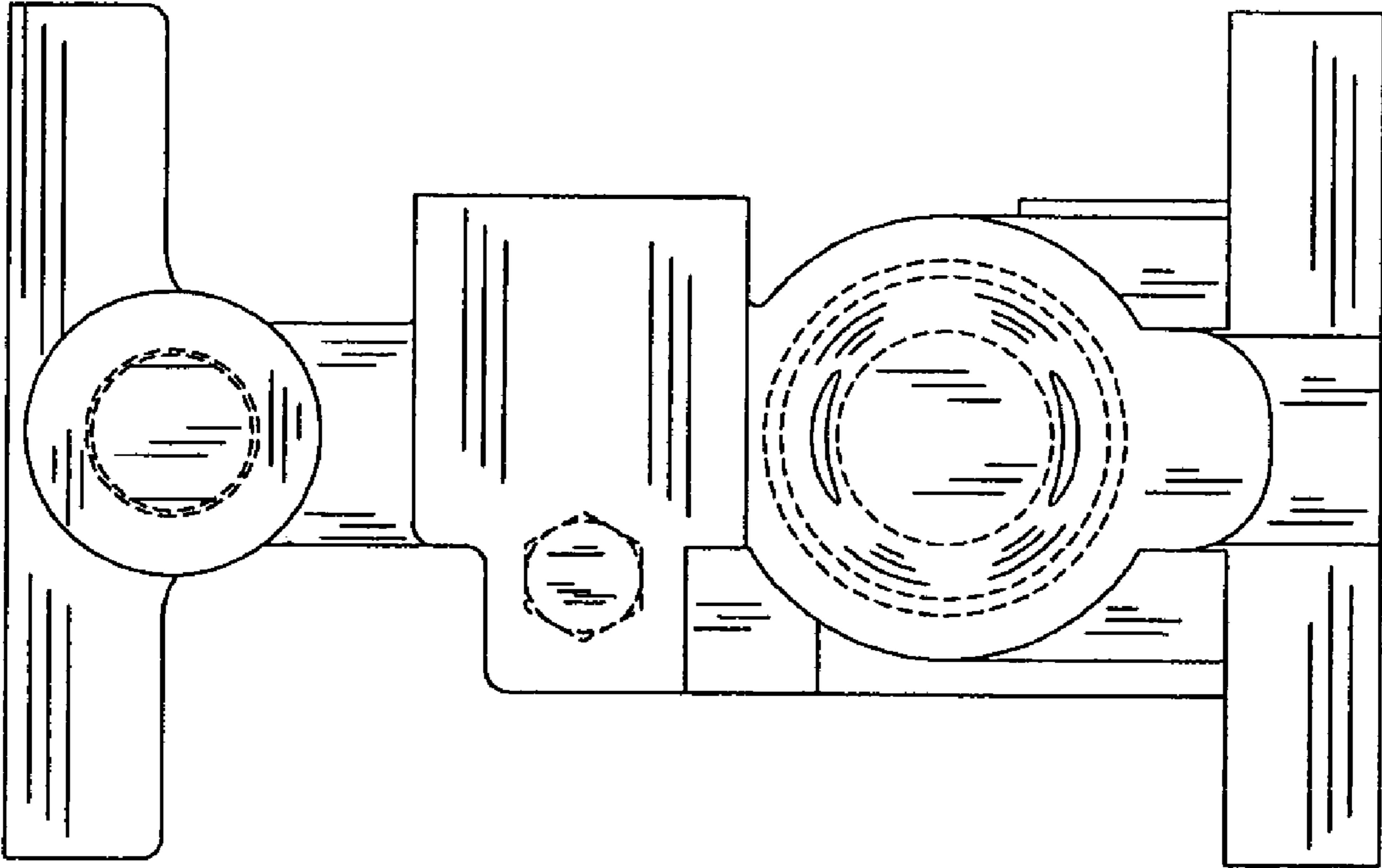


FIG. 6