

US00D543996S

(12) **United States Design Patent**  
**Tanaka et al.**

(10) **Patent No.:** **US D543,996 S**

(45) **Date of Patent:** **\*\* Jun. 5, 2007**

(54) **COVER FOR ENGINE**

(75) Inventors: **Giichi Tanaka**, Shiraoka-machi (JP);  
**Yoshinori Harashima**, Satte (JP);  
**Kenichi Nagasawa**, Hasuda (JP);  
**Kenichi Muramoto**, Shiraoka-machi (JP)

(73) Assignee: **Mikasa Sangyo Co., Ltd.**, Tokyo (JP)

(\*\*) Term: **14 Years**

(21) Appl. No.: **29/264,372**

(22) Filed: **Aug. 8, 2006**

(30) **Foreign Application Priority Data**

May 11, 2006 (JP) ..... 2006-011942

(51) **LOC (8) Cl.** ..... **15-01**

(52) **U.S. Cl.** ..... **D15/5**

(58) **Field of Classification Search** ..... D15/1,  
D15/3, 5, 17; D12/163-166; 180/89.1, 89.12;  
56/320.1, 320.2; 123/41.7, 50 A, 195.3,  
123/198 E, 306, 308, 661, 667  
See application file for complete search history.

(56) **References Cited**

**U.S. PATENT DOCUMENTS**

D396,478 S \* 7/1998 Hubbach ..... D15/5

D470,507 S \* 2/2003 Maeda et al. .... D15/1  
D490,818 S \* 6/2004 Hieke ..... D15/5  
D513,754 S \* 1/2006 Strandell et al. .... D15/5  
D517,568 S \* 3/2006 Pfeiffer ..... D15/5  
D522,533 S \* 6/2006 Diulio ..... D15/5  
D527,022 S \* 8/2006 Walters ..... D15/5  
D527,741 S \* 9/2006 Vervoorn ..... D15/5

\* cited by examiner

*Primary Examiner*—Ian Simmons

*Assistant Examiner*—Maurice Stevens

(74) *Attorney, Agent, or Firm*—Frishauf, Holtz, Goodman & Chick, P.C.

(57) **CLAIM**

The ornamental design for a cover for engine, as shown.

**DESCRIPTION**

FIG. 1 is a front, top, left side perspective view of a cover for engine showing our new design;

FIG. 2 is a front elevational view thereof;

FIG. 3 is a rear elevational view thereof;

FIG. 4 is a top plan view thereof;

FIG. 5 is a bottom plan view thereof;

FIG. 6 is a right side view thereof; and,

FIG. 7 is a left side view thereof.

**1 Claim, 4 Drawing Sheets**

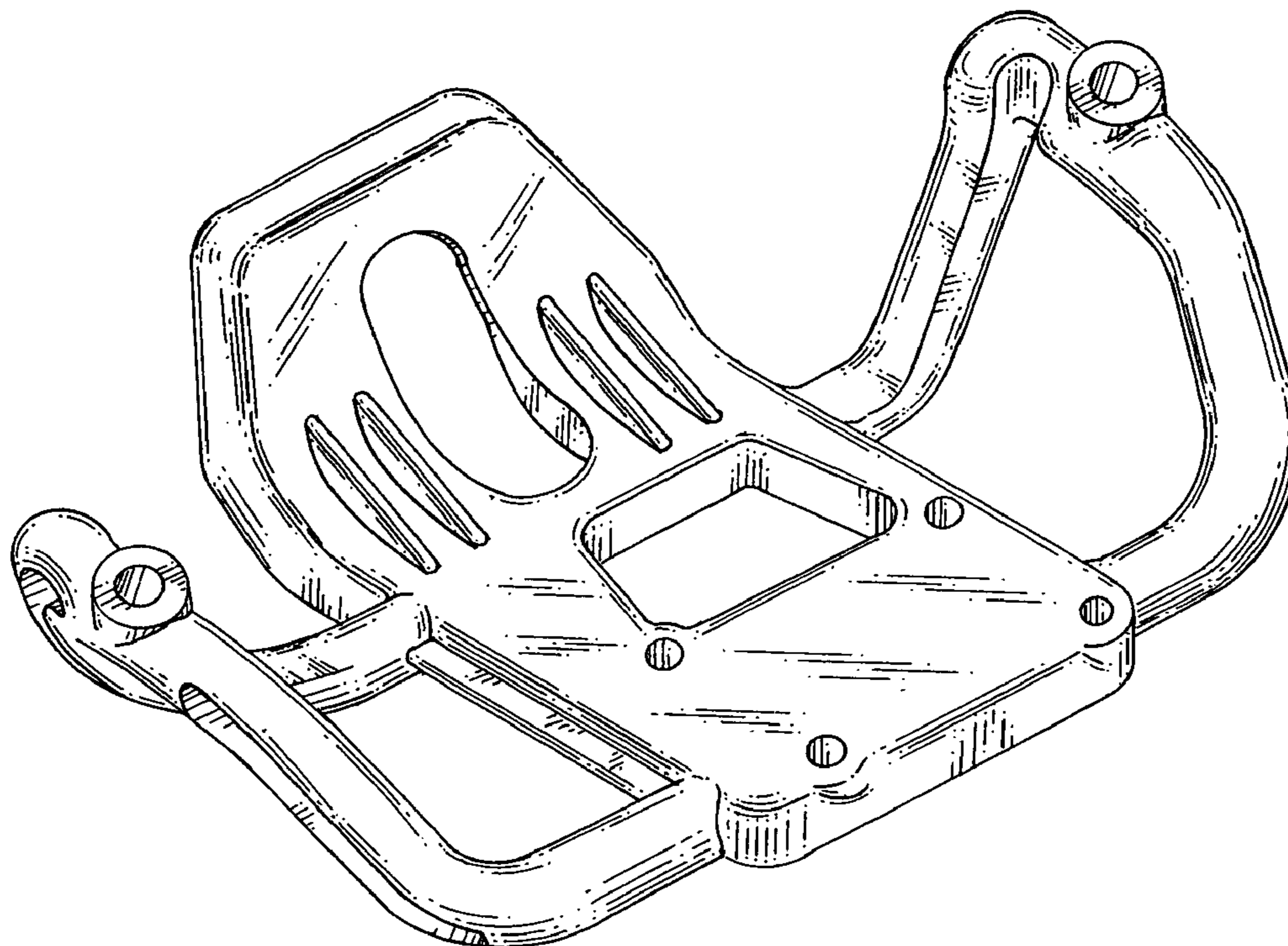


Fig. 1

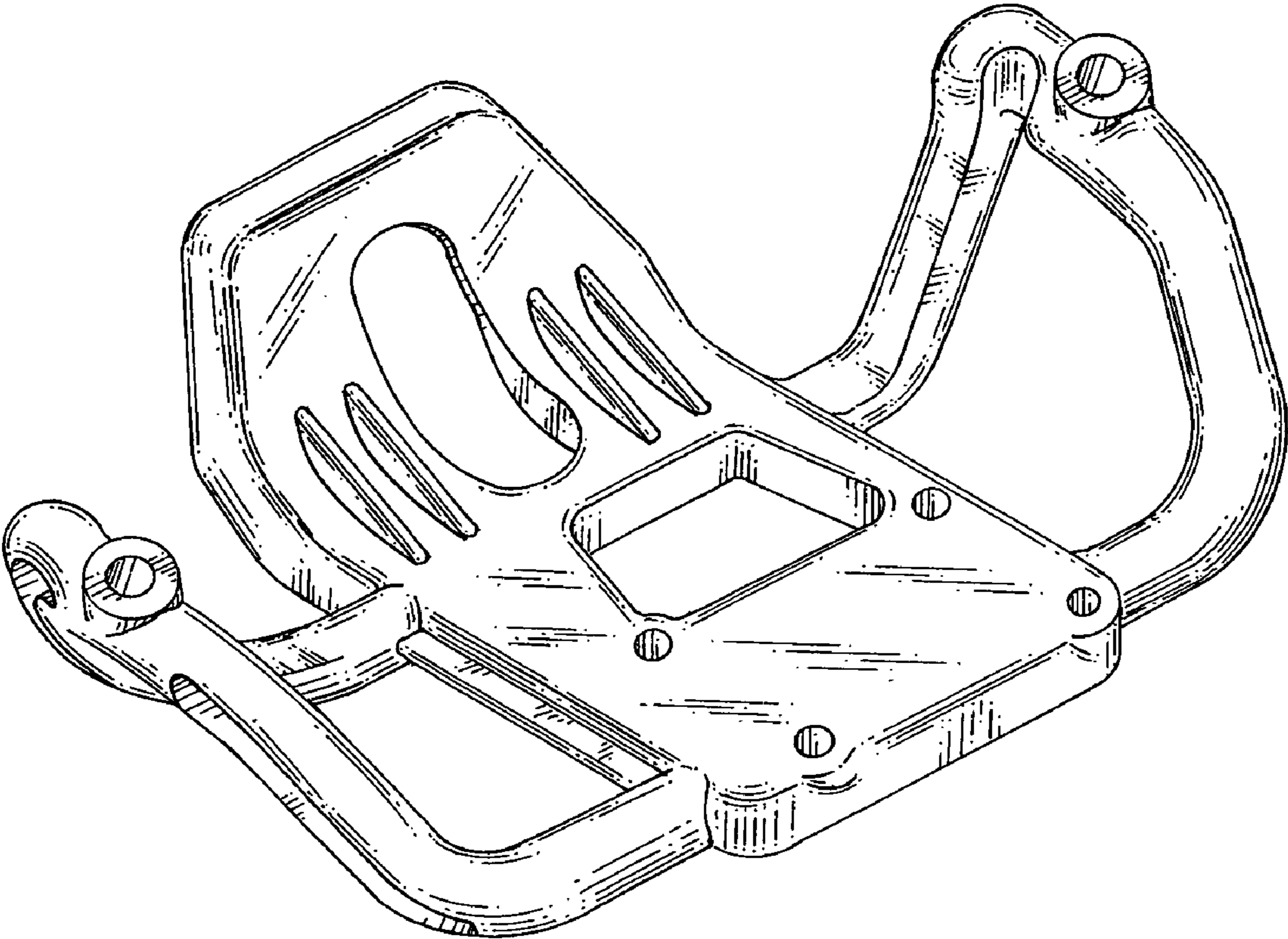


Fig. 2

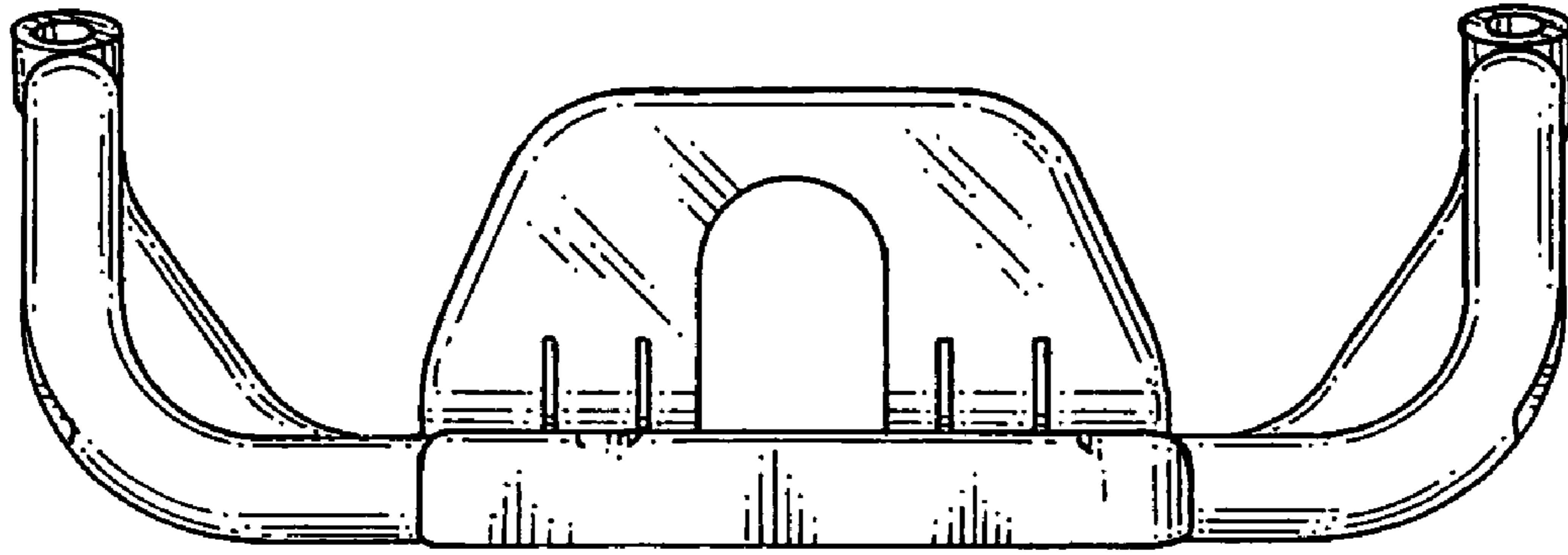


Fig. 3

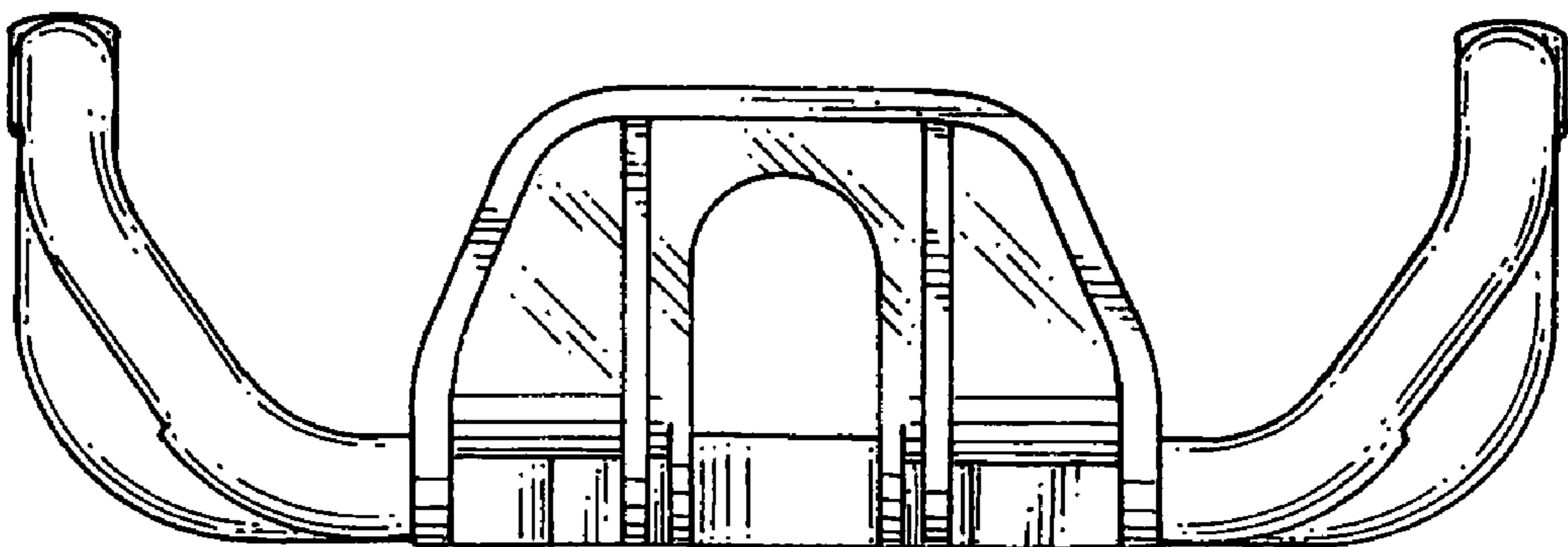


Fig. 4

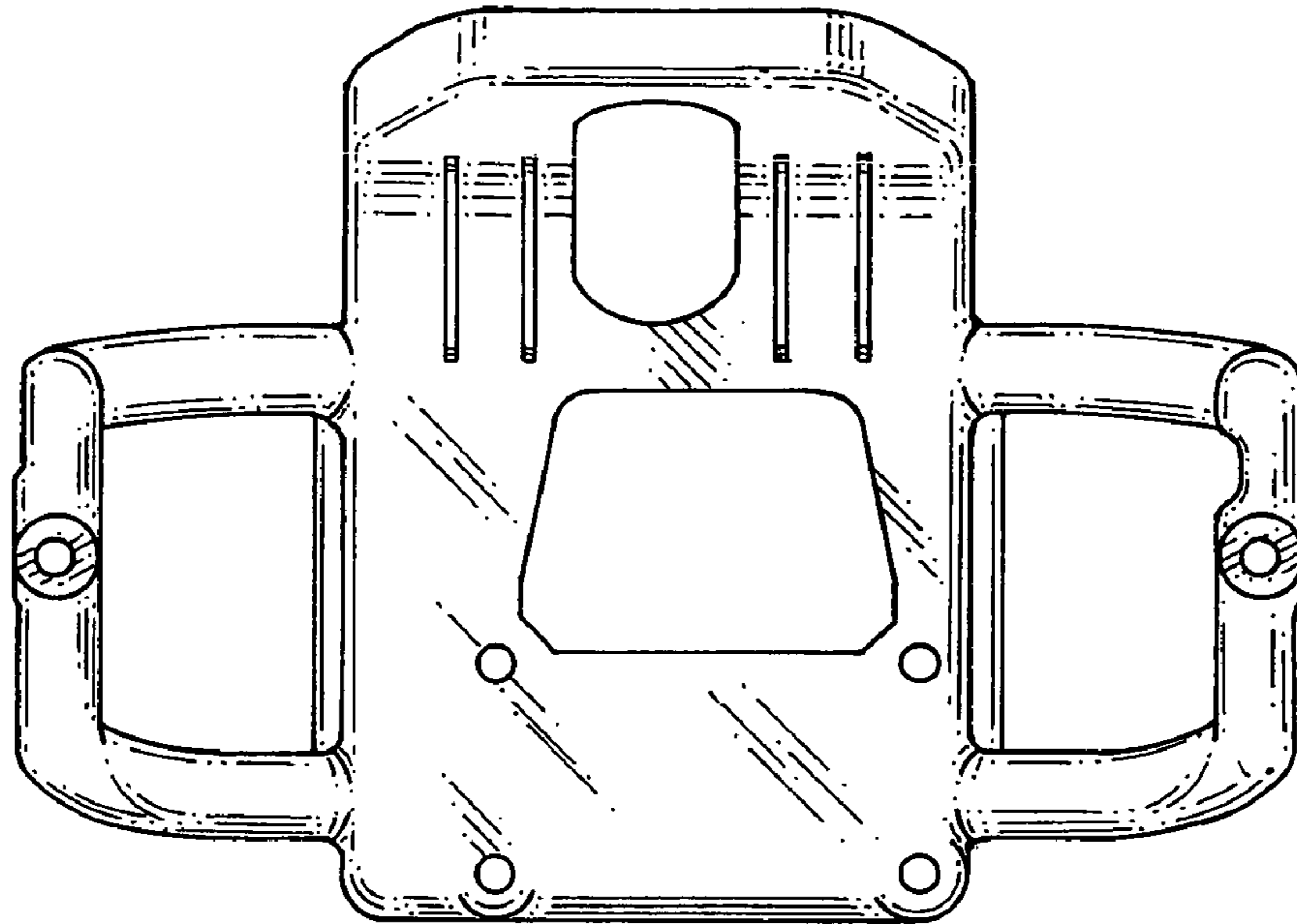


Fig. 5

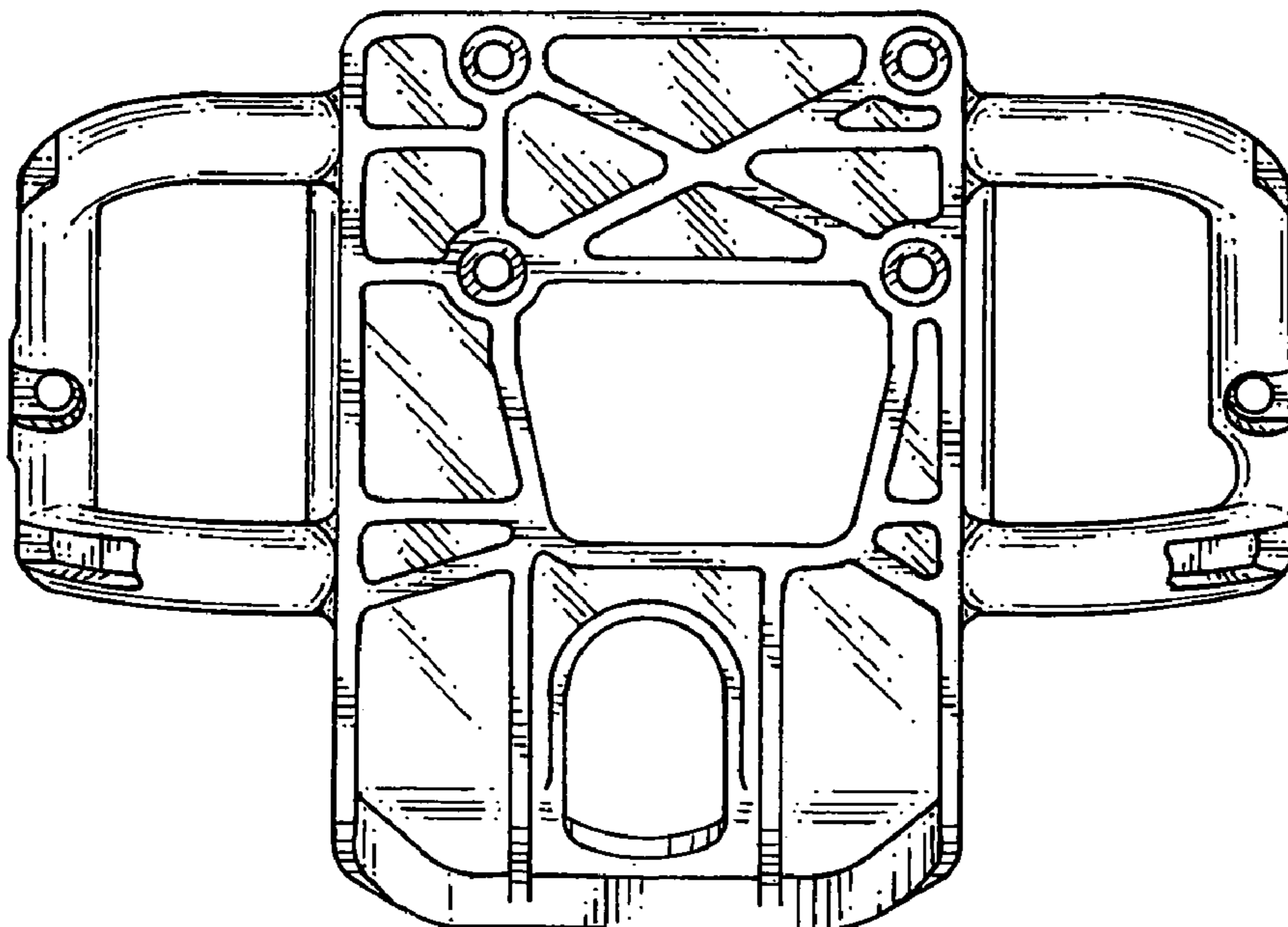


Fig. 6

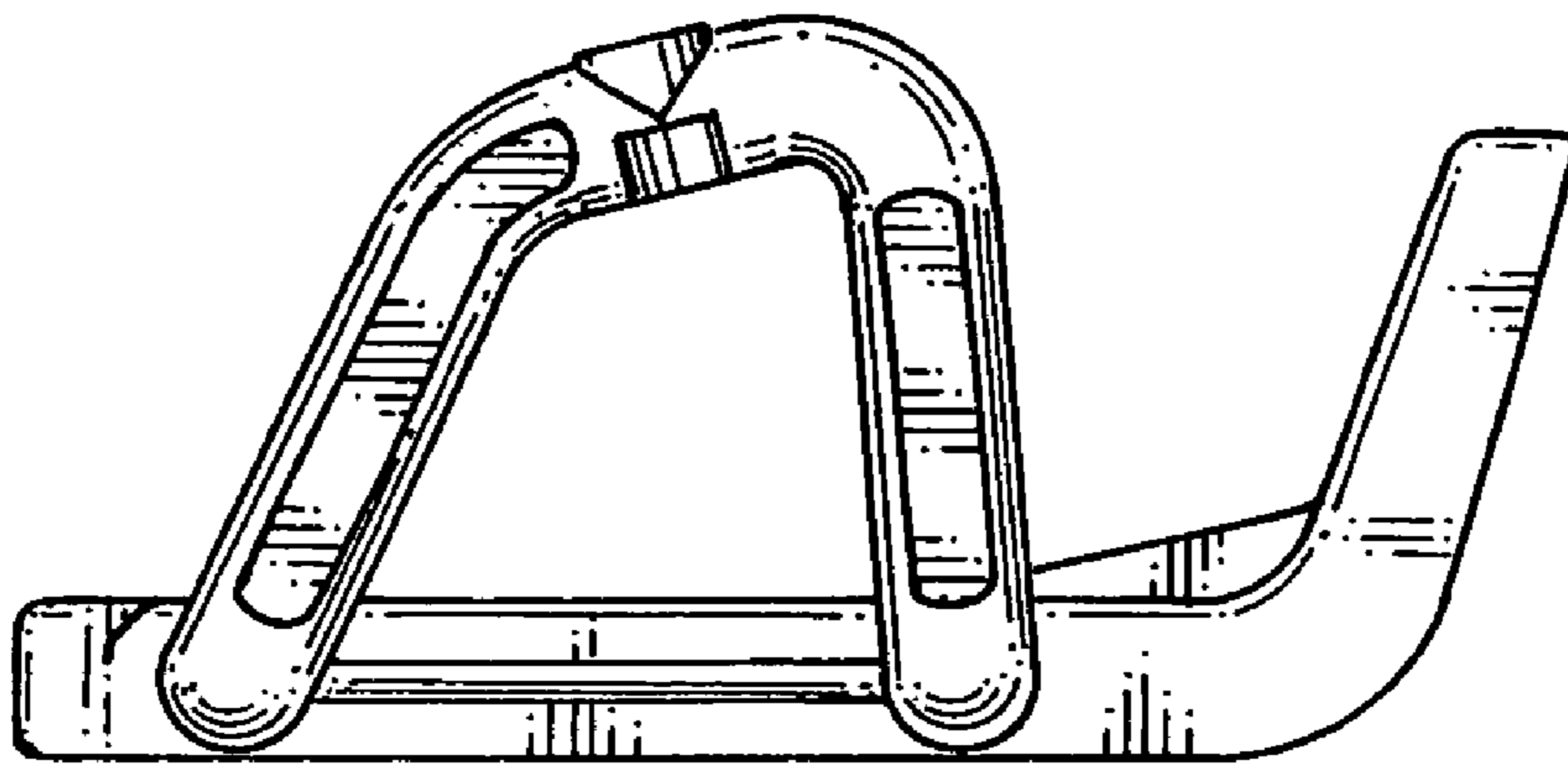


Fig. 7

