



US00D543995S

(12) **United States Design Patent**
Tanaka et al.

(10) **Patent No.:** **US D543,995 S**

(45) **Date of Patent:** **** Jun. 5, 2007**

(54) **FUEL TANK**

(75) Inventors: **Giichi Tanaka**, Shiraoka-machi (JP);
Yoshinori Harashima, Satte (JP);
Kenichi Nagasawa, Hasuda (JP);
Kenichi Muramoto, Shiraoka-machi
(JP)

(73) Assignee: **Mikasa Sangyo Co., Ltd.**, Tokyo (JP)

(**) Term: **14 Years**

(21) Appl. No.: **29/264,371**

(22) Filed: **Aug. 8, 2006**

(30) **Foreign Application Priority Data**

May 11, 2006 (JP) 2006-011941

(51) **LOC (8) Cl.** **15-01**

(52) **U.S. Cl.** **D15/5**

(58) **Field of Classification Search** D15/1,
D15/5, 17; D12/218, 110, 114, 126, 196-197,
D12/96, 414.1; D20/11, 35; D23/202, 205,
D23/206; 180/219, 69.4, 225; 280/833-835;
285/205; 137/558; 73/305, 317

See application file for complete search history.

(56) **References Cited**

U.S. PATENT DOCUMENTS

D258,501 S * 3/1981 Winslow D12/218

4,449,723 A * 5/1984 Shiratsuchi 280/833
4,469,190 A * 9/1984 Yamaguchi 180/219
D379,995 S * 6/1997 Gilmore D15/1
D502,439 S * 3/2005 Horstmann et al. D12/218
D514,498 S * 2/2006 Alsop D12/218
D534,108 S * 12/2006 Katagiri et al. D12/182

* cited by examiner

Primary Examiner—Ian Simmons

Assistant Examiner—Maurice Stevens

(74) *Attorney, Agent, or Firm*—Frishauf, Holtz, Goodman &
Chick, P.C.

(57) **CLAIM**

The ornamental design for a fuel tank, as shown.

DESCRIPTION

FIG. 1 is a rear, top, right side perspective view of a fuel tank showing our new design;

FIG. 2 is a front elevational view thereof;

FIG. 3 is a rear elevational view thereof;

FIG. 4 is a top plan view thereof;

FIG. 5 is a bottom plan view thereof;

FIG. 6 is a right side view thereof; and,

FIG. 7 is a left side view thereof.

1 Claim, 3 Drawing Sheets

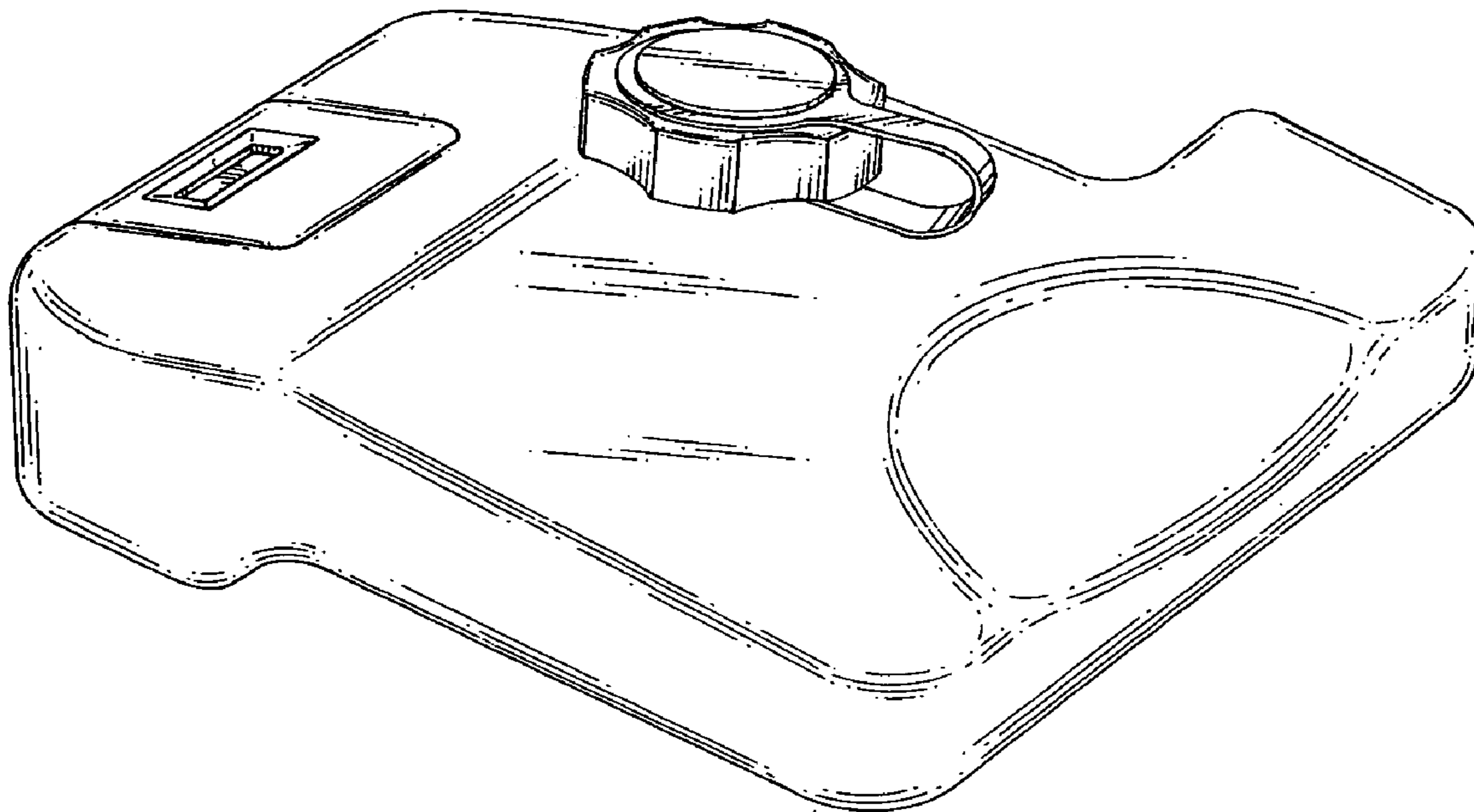


Fig. 1

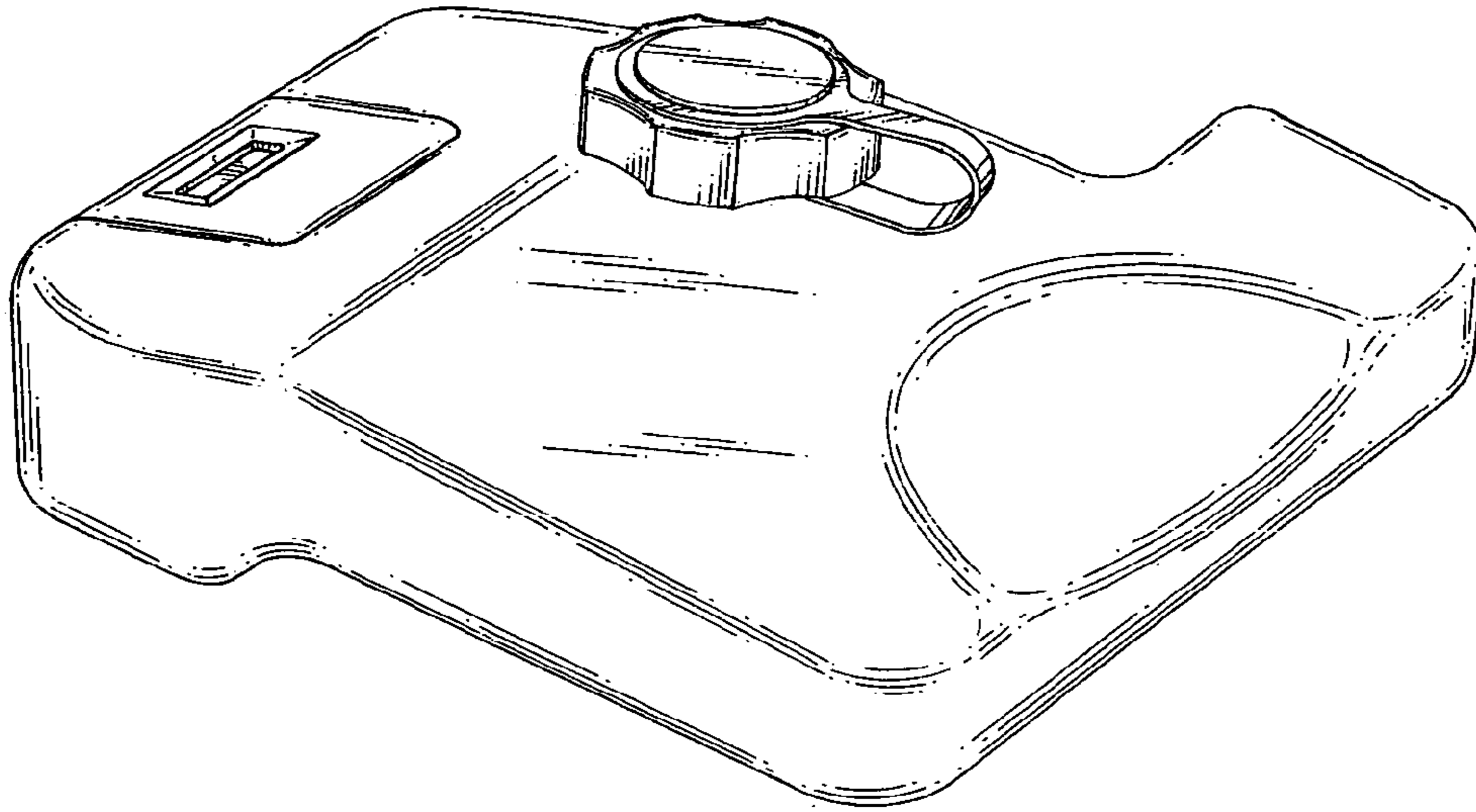


Fig. 2

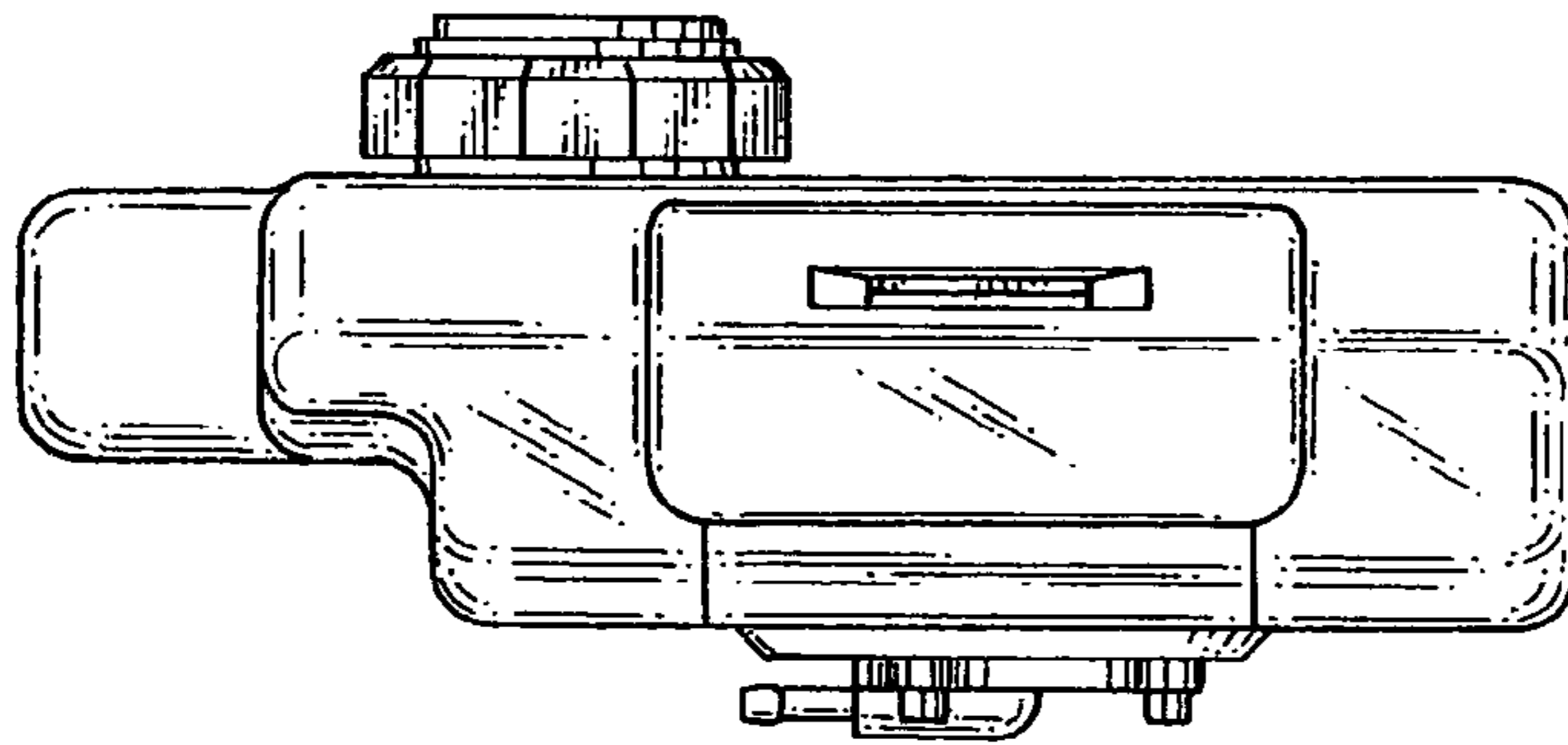


Fig. 3

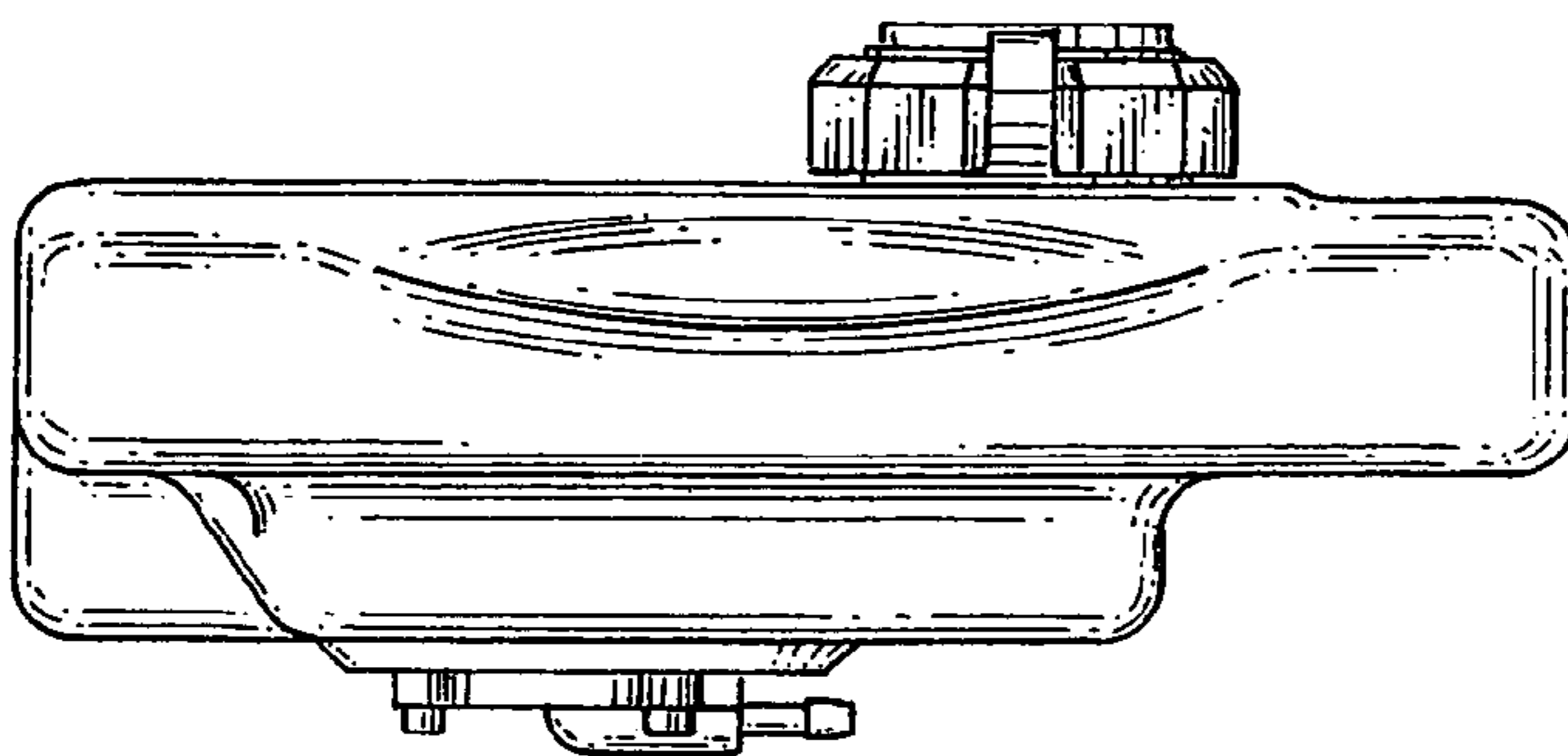


Fig. 4

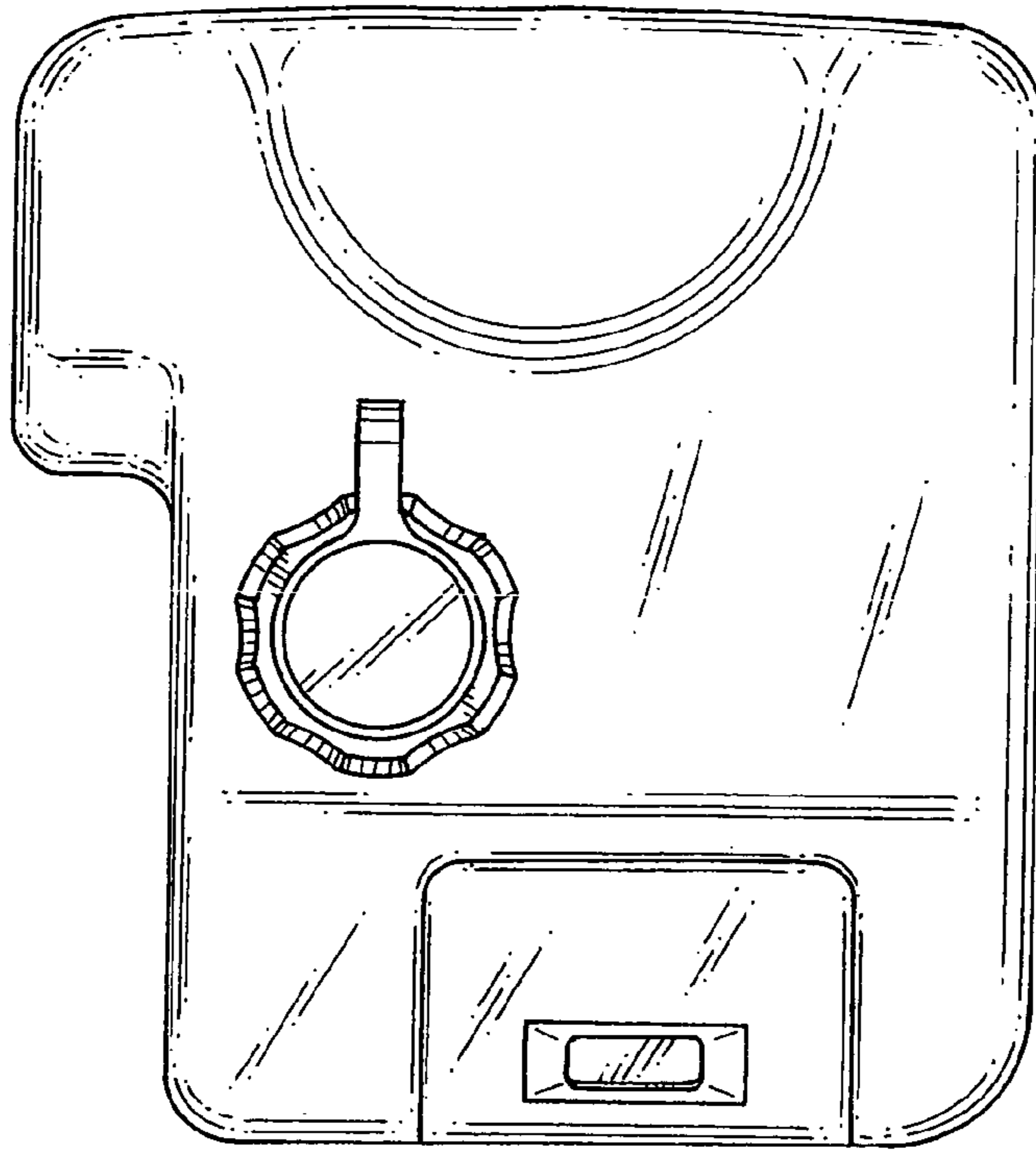


Fig. 5

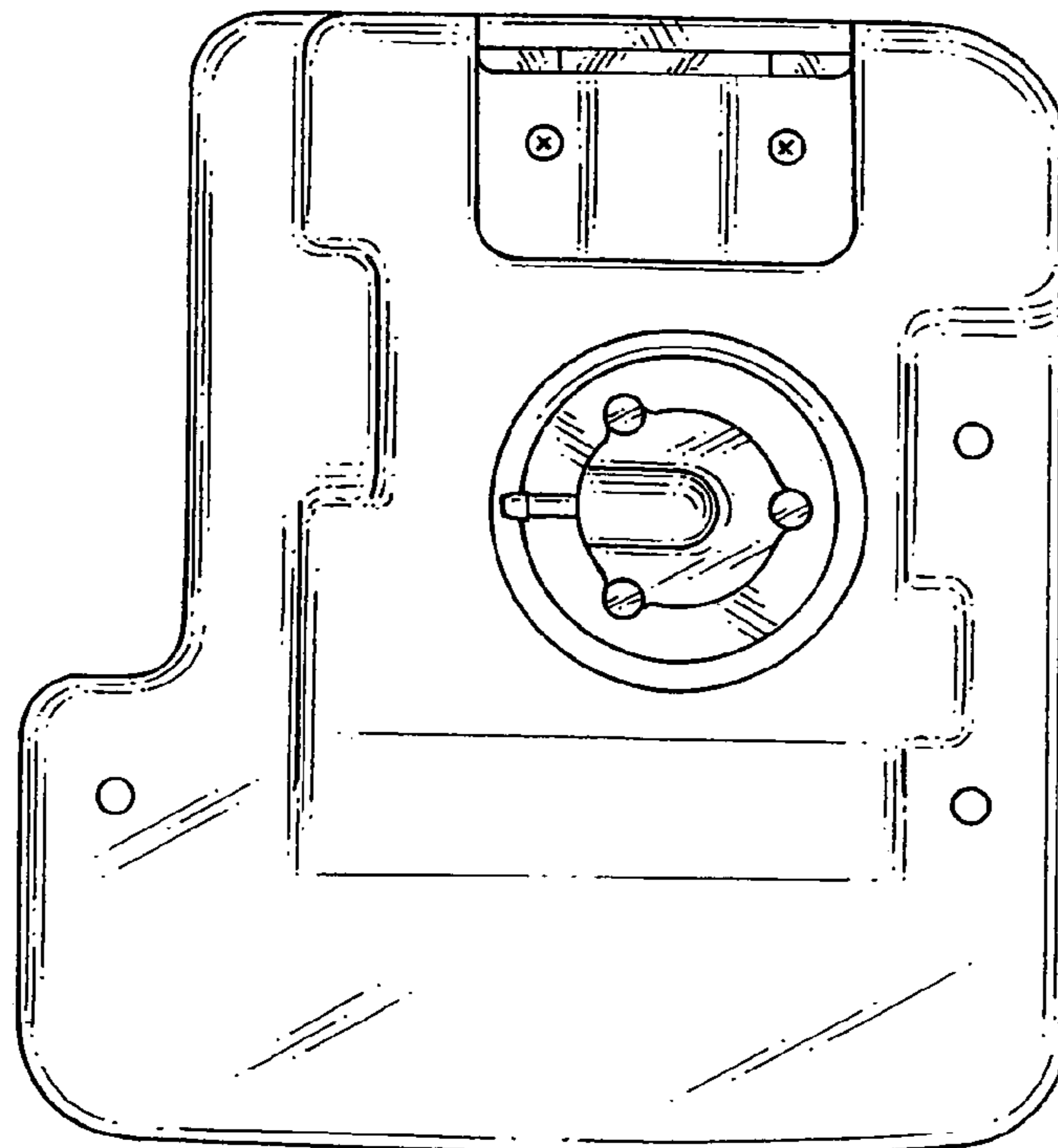


Fig. 6

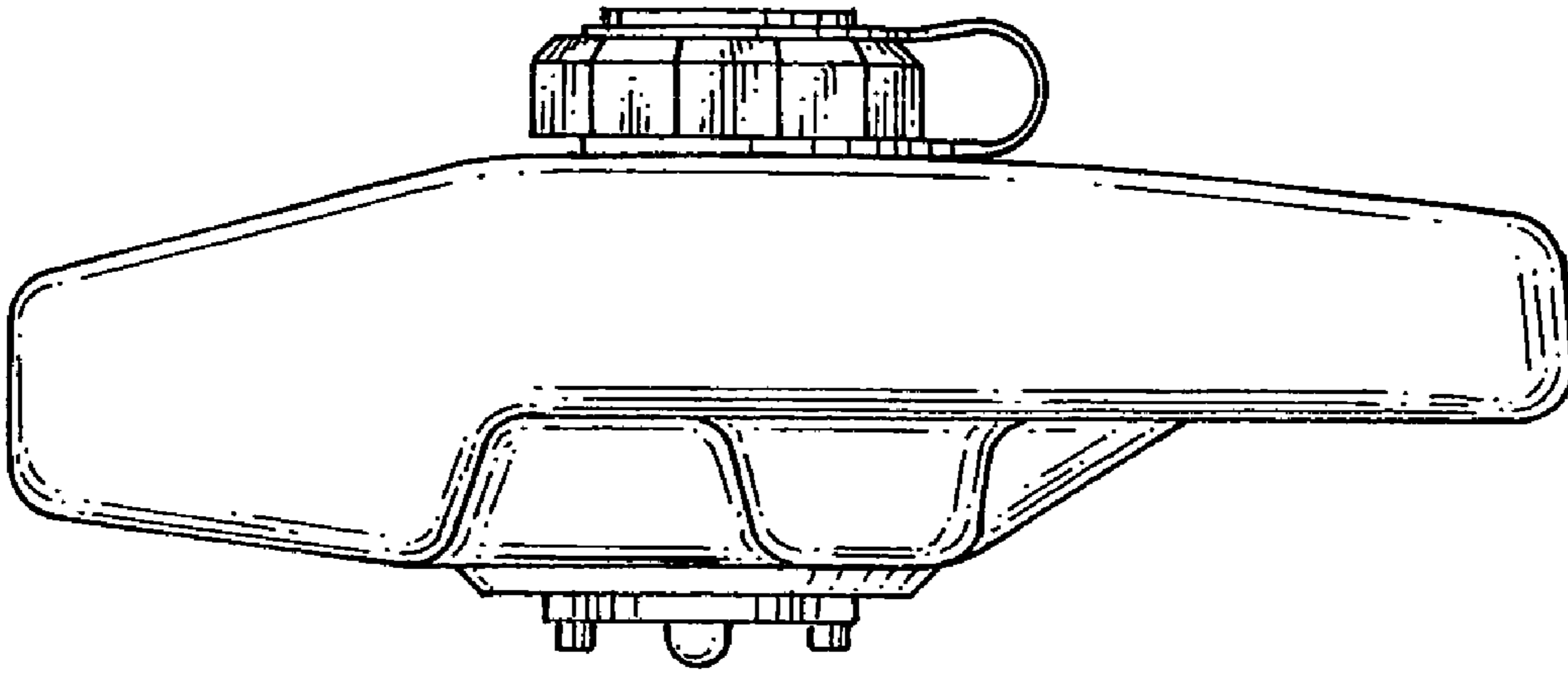


Fig. 7

