

US00D543982S

(12) **United States Design Patent**  
**Hasegawa et al.**

(10) **Patent No.:** **US D543,982 S**

(45) **Date of Patent:** **\*\* Jun. 5, 2007**

(54) **COMPUTER DISPLAY**

(75) Inventors: **Kenichi Hasegawa**, Tokyo (JP);  
**Yoshihiro Takechi**, Tokyo (JP); **Satoshi**  
**Kurihara**, Tokyo (JP); **Naoto**  
**Fukasawa**, Tokyo (JP)

(73) Assignee: **NEC Display Solutions, Ltd.**, Tokyo  
(JP)

(\*\*) Term: **14 Years**

(21) Appl. No.: **29/247,416**

(22) Filed: **Jun. 16, 2006**

(30) **Foreign Application Priority Data**

Dec. 28, 2005 (JP) ..... 2005-038529

(51) **LOC (8) Cl.** ..... **14-02**

(52) **U.S. Cl.** ..... **D14/371**

(58) **Field of Classification Search** ..... D14/371-375,  
D14/125-129, 133; 345/104, 156, 168, 173;  
348/180, 184, 325, 739, 837; 248/917-924,  
248/278.1; 349/1, 2, 11, 62; 341/12  
See application file for complete search history.

(56) **References Cited**

**U.S. PATENT DOCUMENTS**

D417,659 S \* 12/1999 Takemasa ..... D14/374

D434,738 S \* 12/2000 Takemasa ..... D14/133  
D460,425 S \* 7/2002 Joe ..... D14/126  
D494,941 S \* 8/2004 Kim ..... D14/126  
6,837,469 B2 \* 1/2005 Wu et al. .... 248/278.1  
D515,523 S \* 2/2006 Asanuma et al. .... D14/129

\* cited by examiner

*Primary Examiner*—Freda S. Nunn

(74) *Attorney, Agent, or Firm*—Darby & Darby

(57) **CLAIM**

The ornamental design for a computer display, as shown and described.

**DESCRIPTION**

FIG. 1 is a perspective view of a computer display.

FIG. 2 is a front elevation view thereof.

FIG. 3 is a rear elevation view thereof.

FIG. 4 is a top plan view thereof.

FIG. 5 is a bottom plan view thereof.

FIG. 6 is a left side elevation view thereof.

FIG. 7 is a right side elevation view thereof; and,

FIG. 8 is a cross-sectional view thereof taken along line 8—8 in FIG. 2, which omits the internal structure.

**1 Claim, 8 Drawing Sheets**

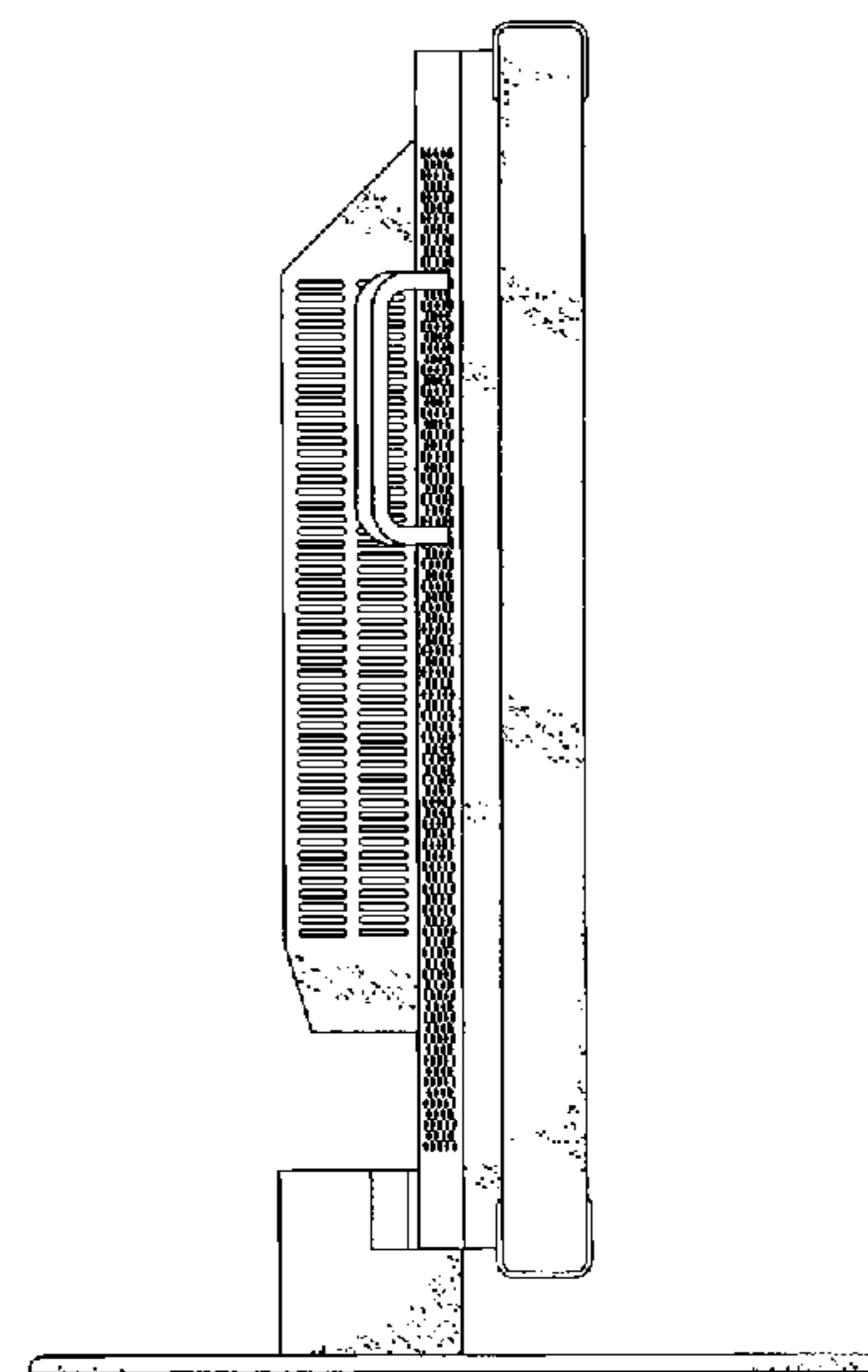
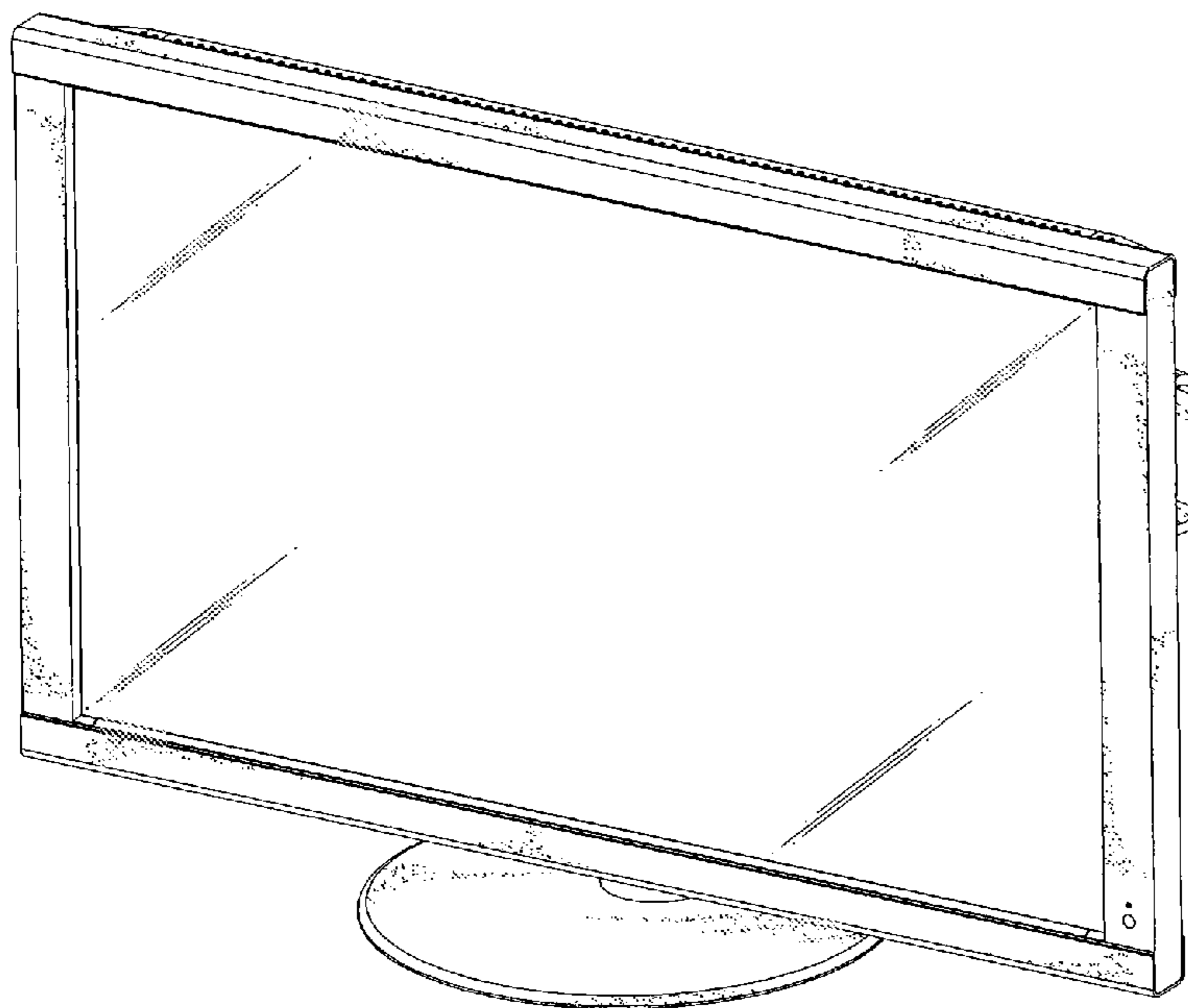


FIG. 1

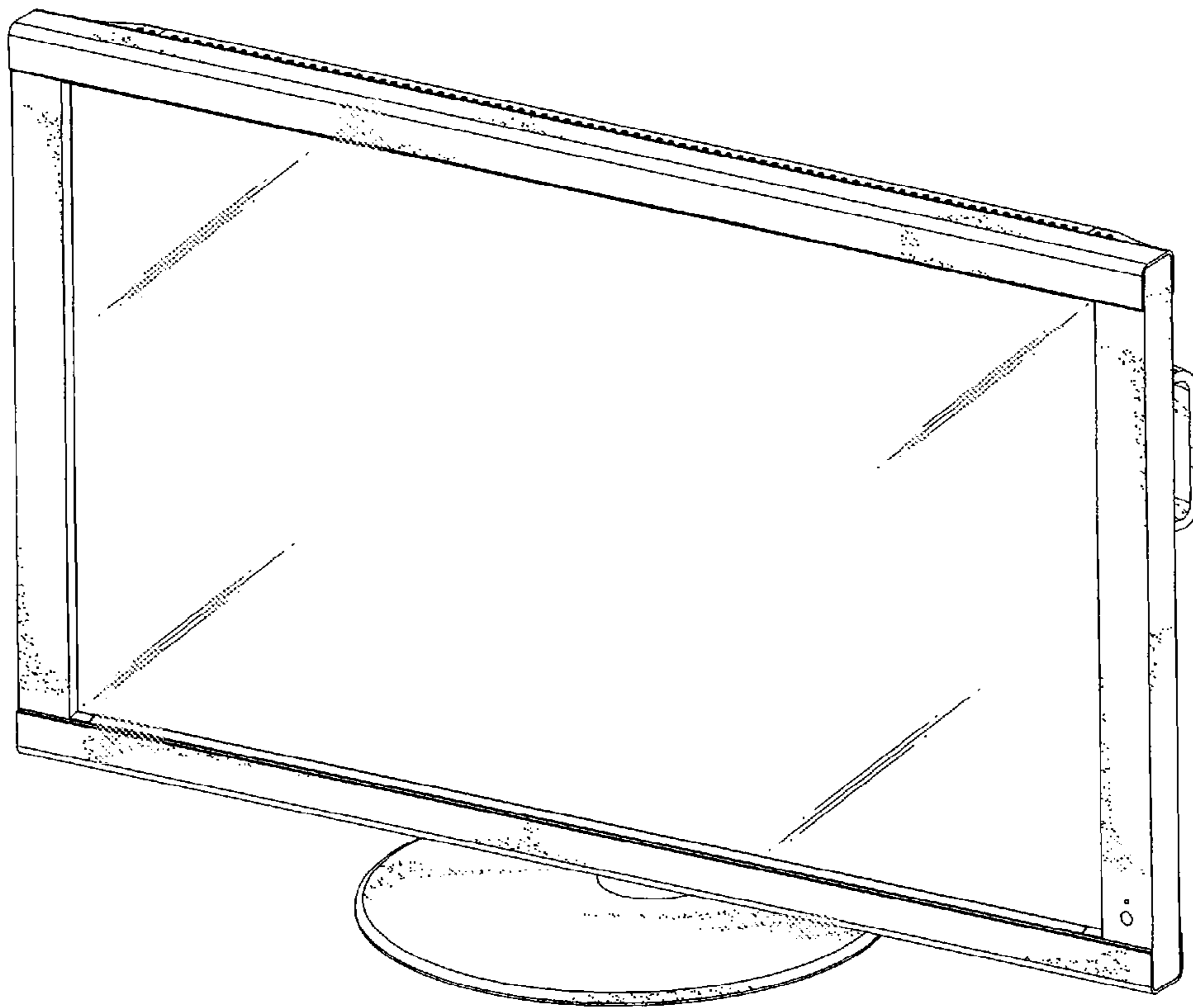


FIG. 2

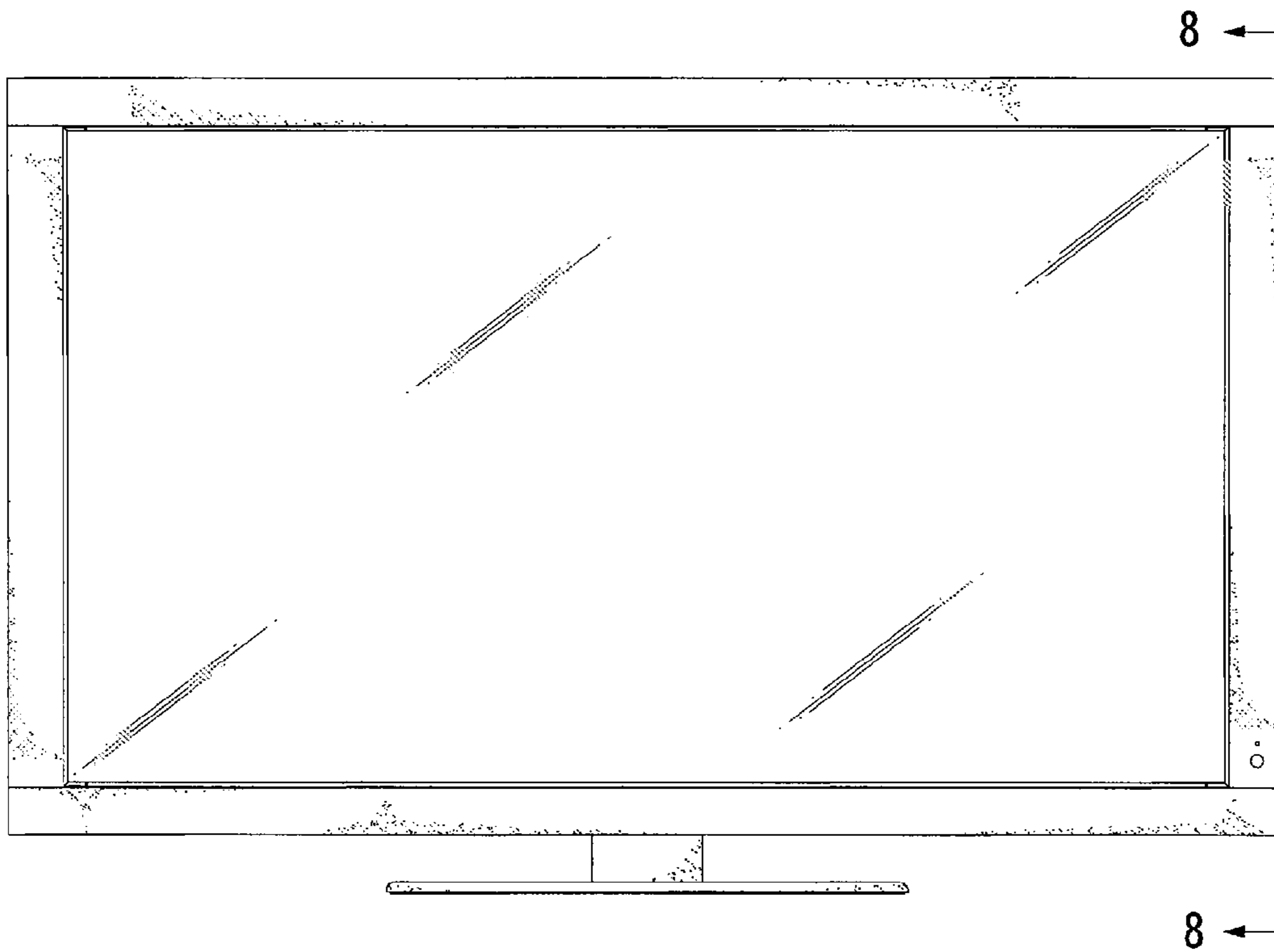


FIG. 3

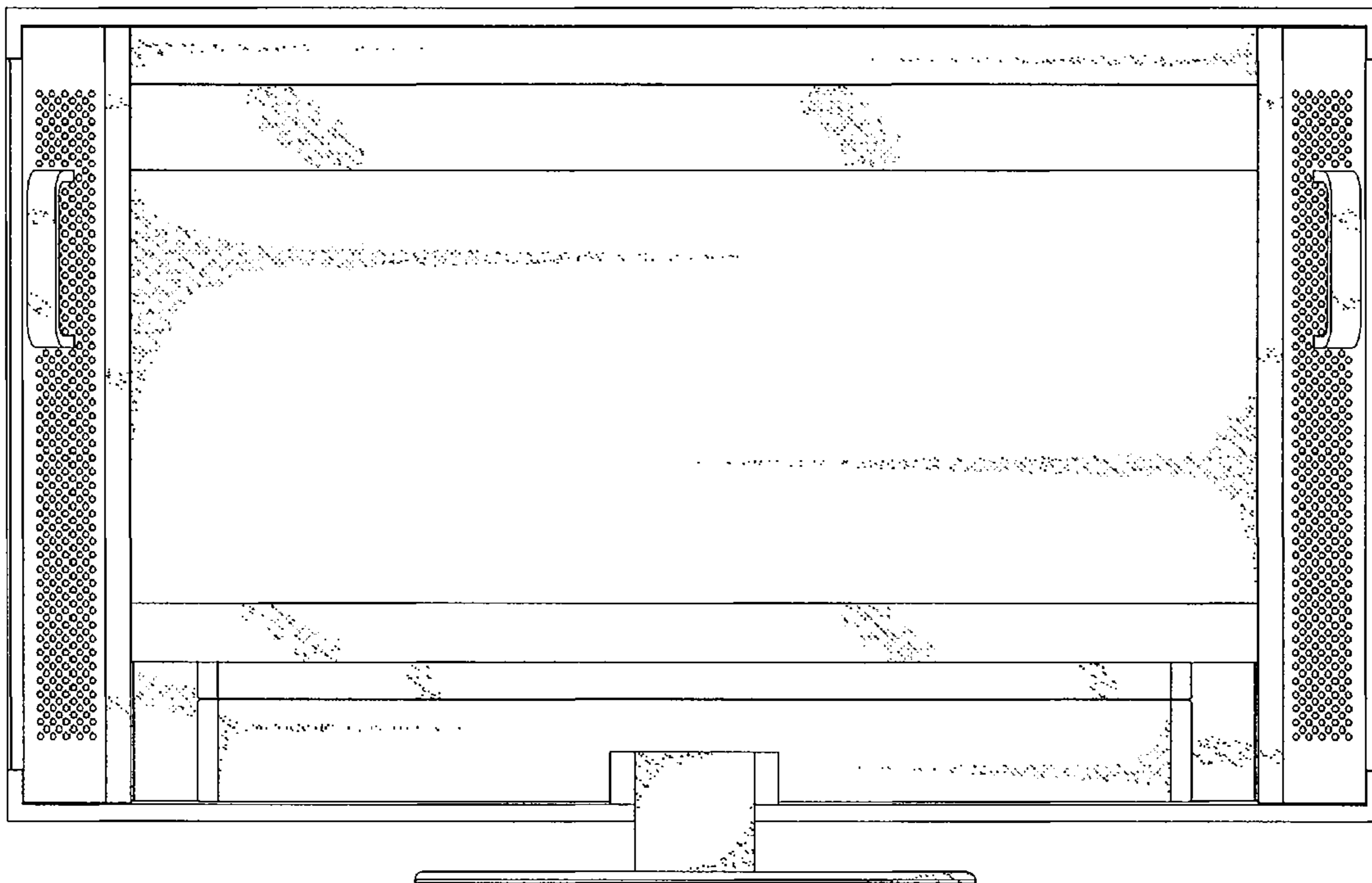


FIG. 4

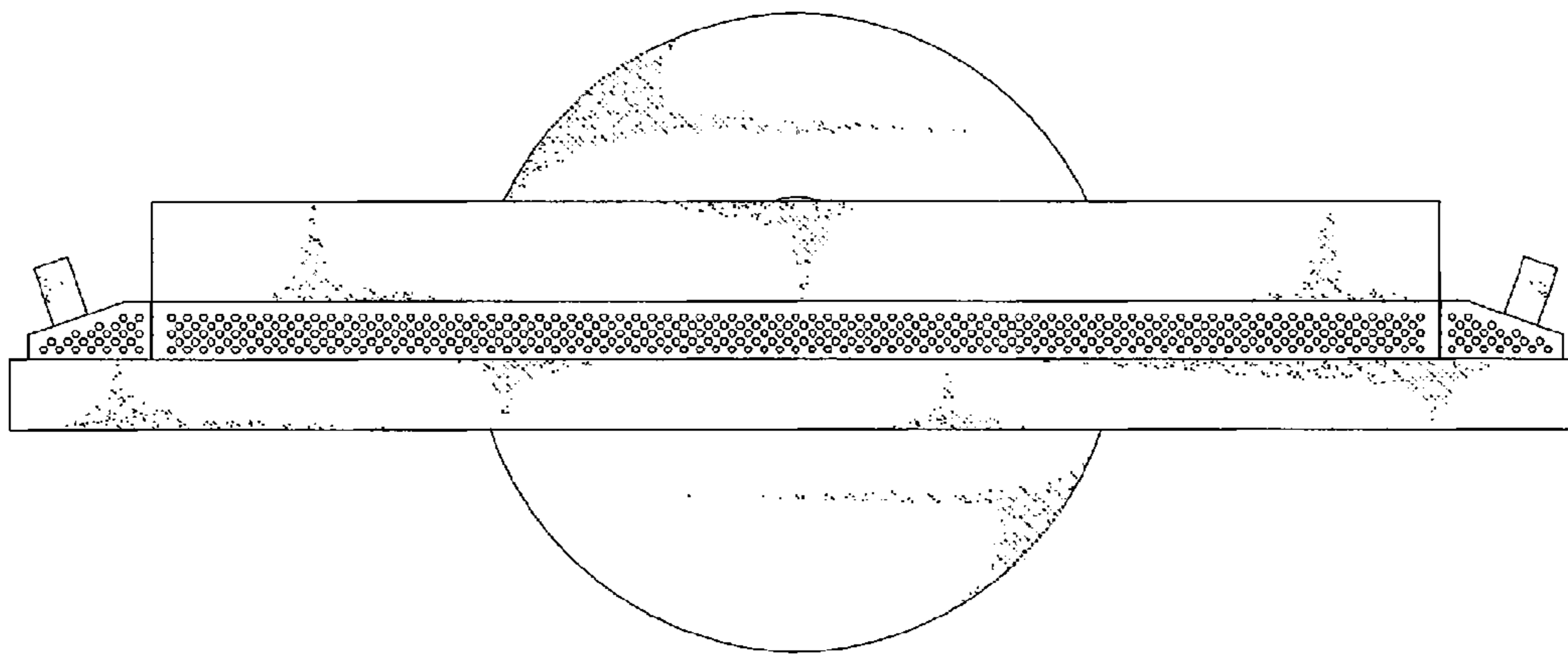


FIG. 5

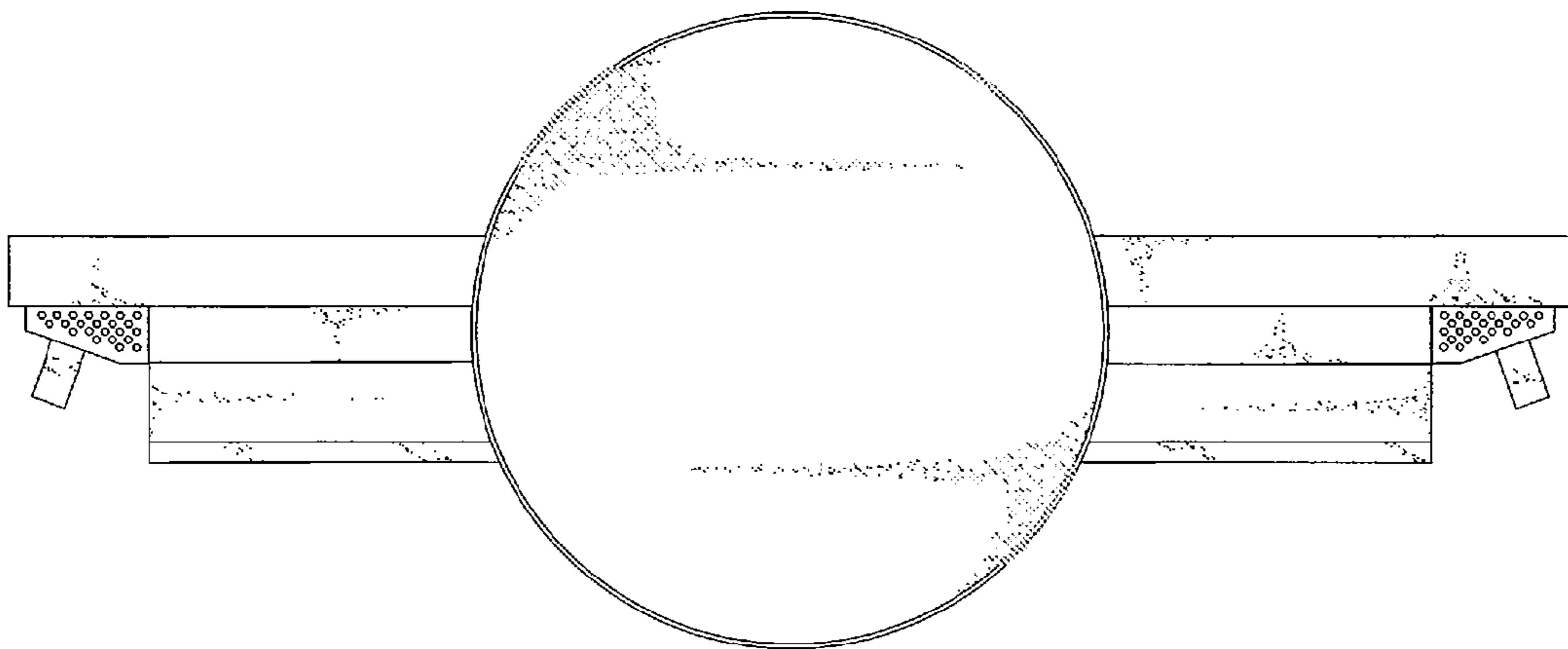


FIG. 6

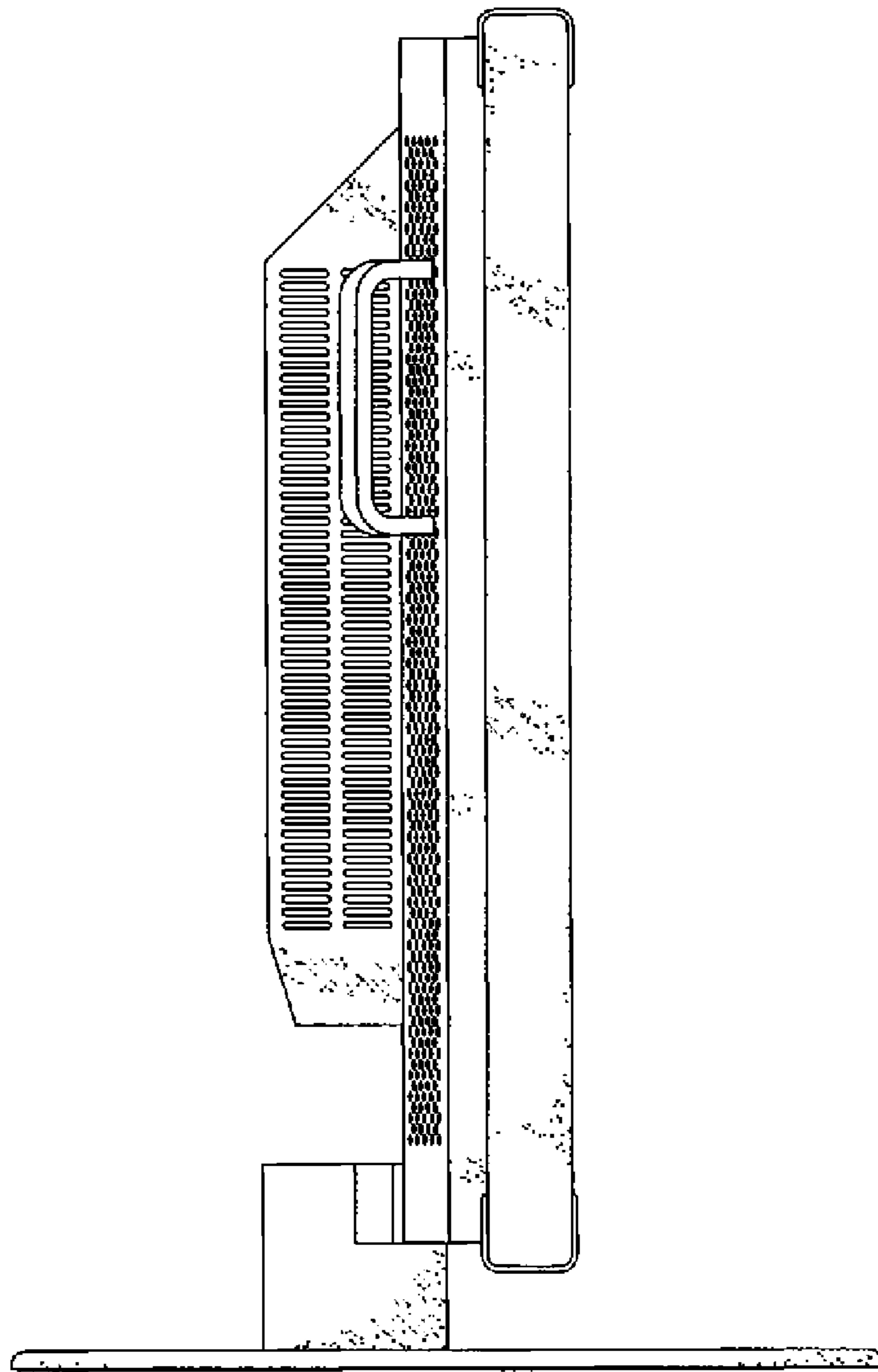


FIG. 7

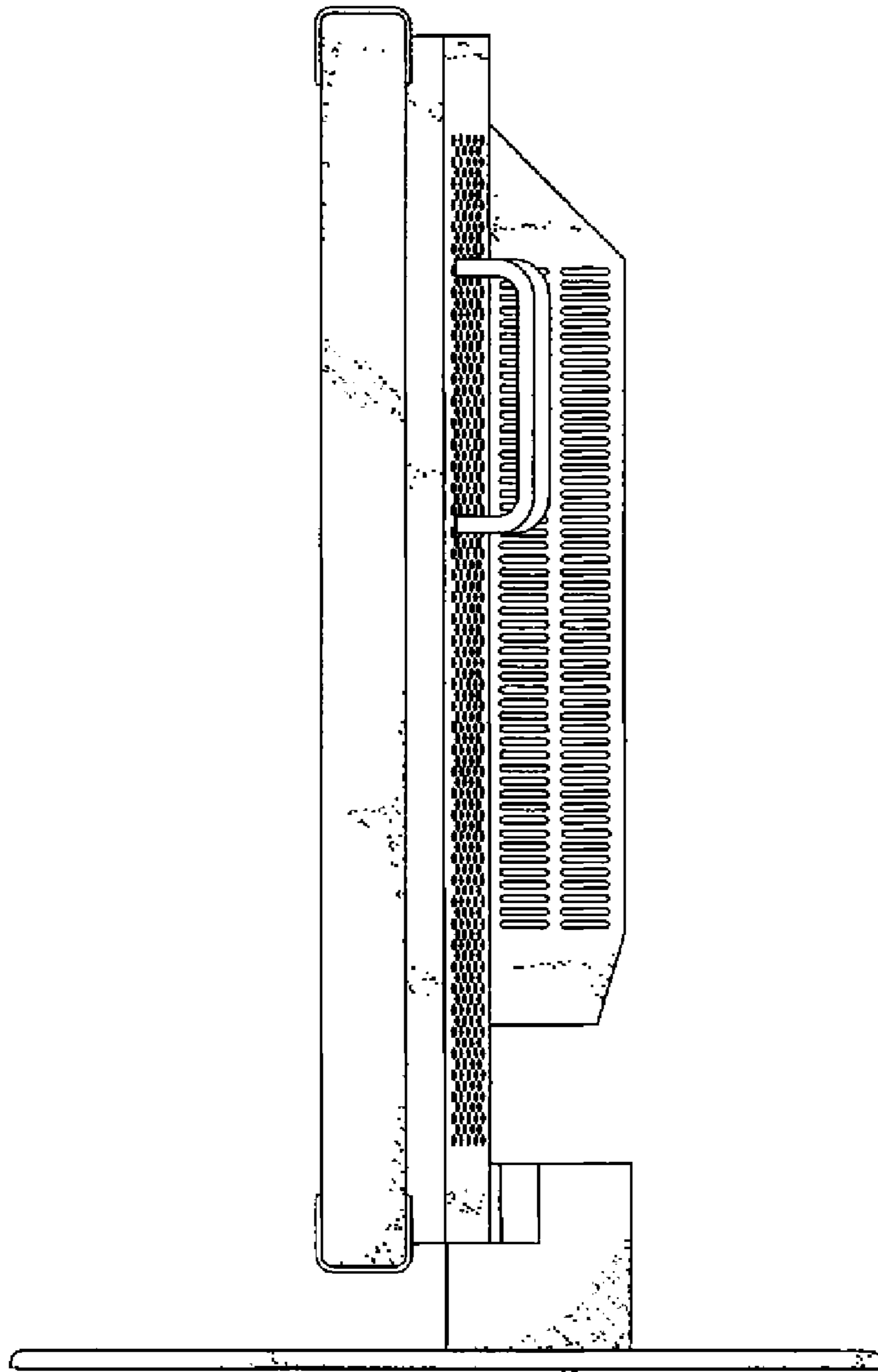




FIG. 8

