

US00D543978S

(12) **United States Design Patent**  
**Kawase**

(10) **Patent No.:** **US D543,978 S**  
(45) **Date of Patent:** **\*\* Jun. 5, 2007**

(54) **COMPUTER**

(75) Inventor: **Atsushi Kawase**, Tokyo (JP)  
(73) Assignee: **Sony Corporation**, Tokyo (JP)  
(\*\*) Term: **14 Years**

(21) Appl. No.: **29/240,865**  
(22) Filed: **Oct. 20, 2005**

(30) **Foreign Application Priority Data**

Aug. 8, 2005 (JP) ..... D2005-022956

(51) **LOC (8) Cl.** ..... **14-02**  
(52) **U.S. Cl.** ..... **D14/337**  
(58) **Field of Classification Search** ..... D14/336,  
D14/337, 371, 125-129; 345/87, 104, 156,  
345/168, 173; 348/180, 184, 325, 739; 349/1,  
349/2, 11, 62

See application file for complete search history.

(56) **References Cited**

**U.S. PATENT DOCUMENTS**

D363,467 S	*	10/1995	Takahashi	.....	D14/336
D410,439 S	*	6/1999	Shibata	.....	D14/336
D432,534 S	*	10/2000	Hirose et al.	.....	D14/337
D474,162 S		5/2003	Kubota		
D494,163 S	*	8/2004	Ishii	.....	D14/337
D504,426 S	*	4/2005	Shoda et al.	.....	D14/336
D508,490 S		8/2005	Ishii		
D508,914 S	*	8/2005	Ishii	.....	D14/337

**OTHER PUBLICATIONS**

Web page "VALUESTAR W PC-VW900CD" [http://www.yodobashi.com/enjoy/more/i/cat\\_38974433\\_16179296\\_16179315/36955273.html](http://www.yodobashi.com/enjoy/more/i/cat_38974433_16179296_16179315/36955273.html), 1 sheet, Yodobashi Camera (Aug. 2005).  
Web page "VGC-C204" <http://www.vaio.sony.co.jp/Products/VGC-V204/feat3.html>, 1 sheet, Sony (Aug. 2005).  
Web page "FMV-DESKPOWER LX" <http://www.fm-world.net/product/hard/pcpm0508/desktop/ix/index.html>, 1 sheet, Fujitsu Corporation (Aug. 2005).

\* cited by examiner

*Primary Examiner*—Freda S. Nunn

(74) *Attorney, Agent, or Firm*—Rader, Fishman & Grauer PLLC

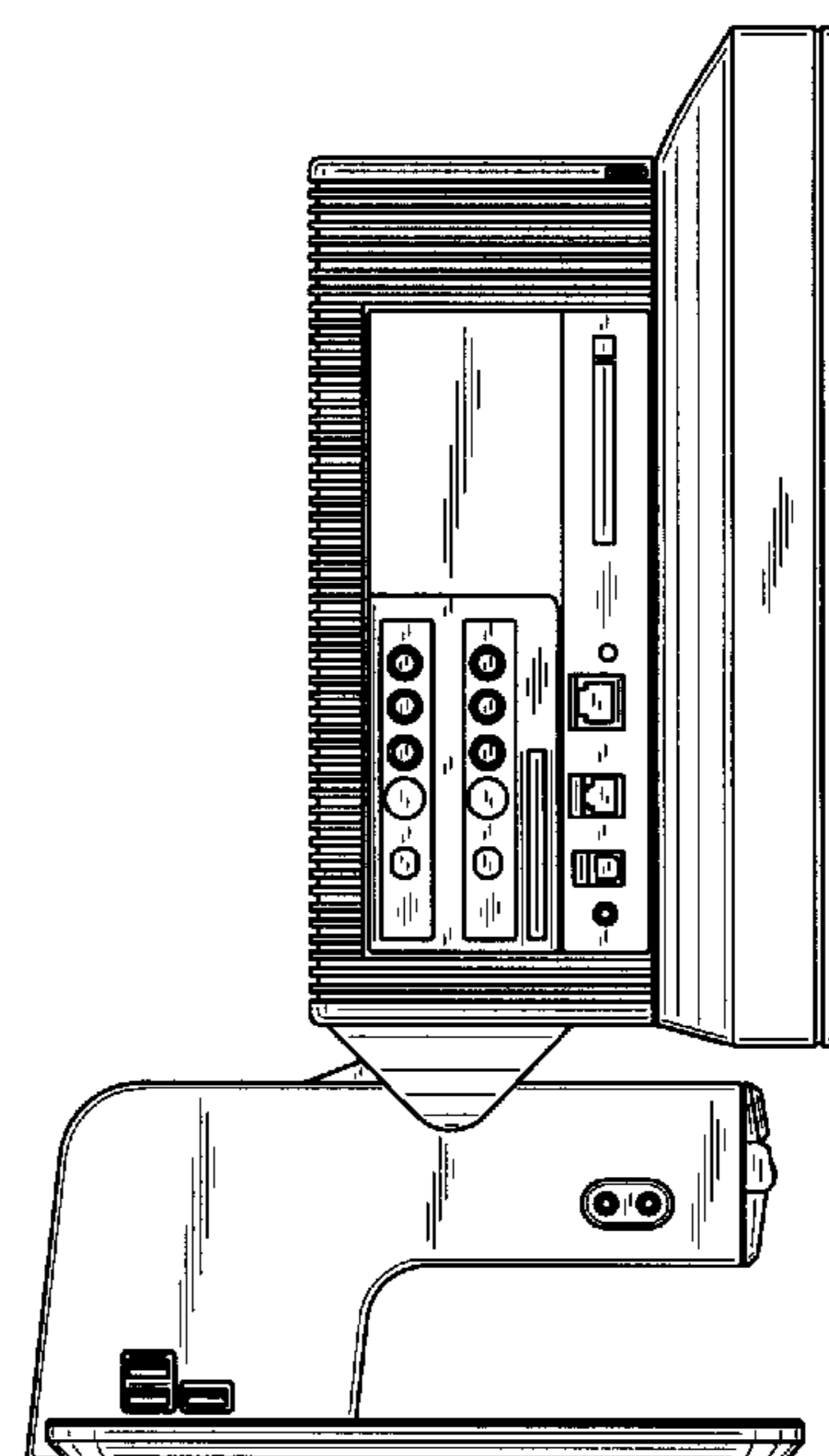
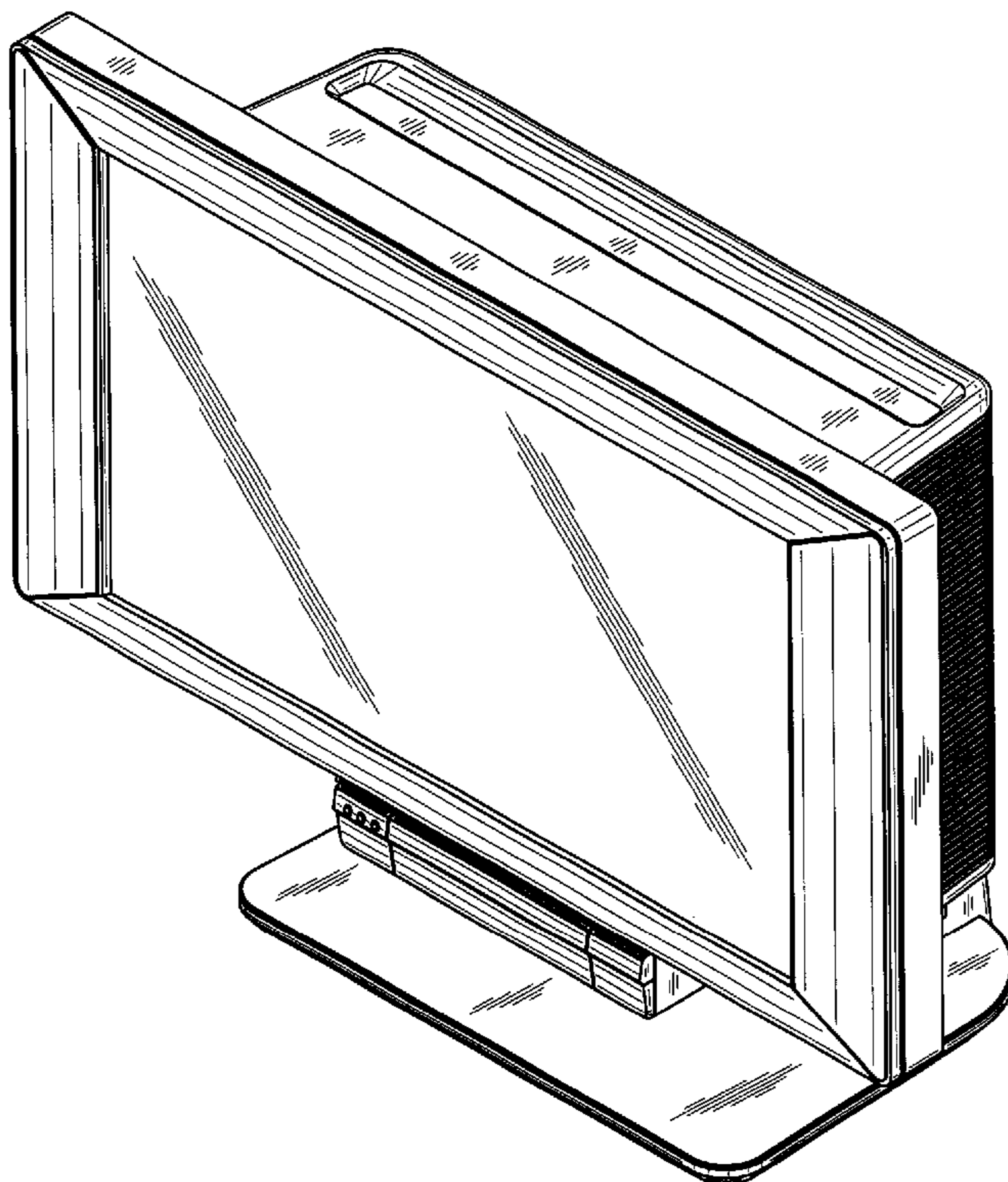
(57) **CLAIM**

The ornamental design for a computer, as shown and described.

**DESCRIPTION**

FIG. 1 is a perspective view of a computer showing my new design;  
FIG. 2 is a front elevational view thereof;  
FIG. 3 is a rear elevational view thereof;  
FIG. 4 is a left side elevational view thereof;  
FIG. 5 is a right side elevational view thereof;  
FIG. 6 is a top plan view thereof; and,  
FIG. 7 is a bottom plan view thereof.

**1 Claim, 7 Drawing Sheets**



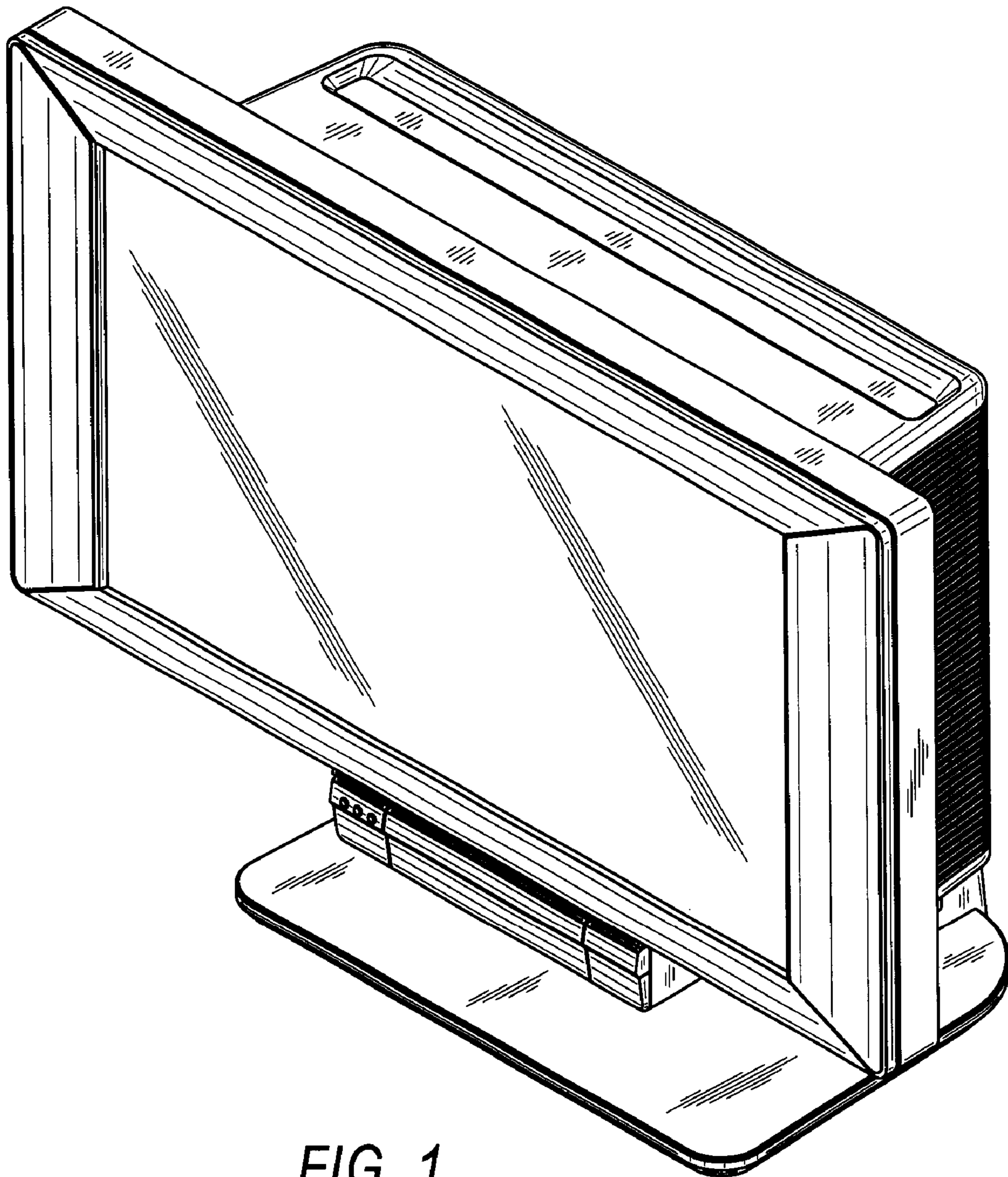


FIG. 1

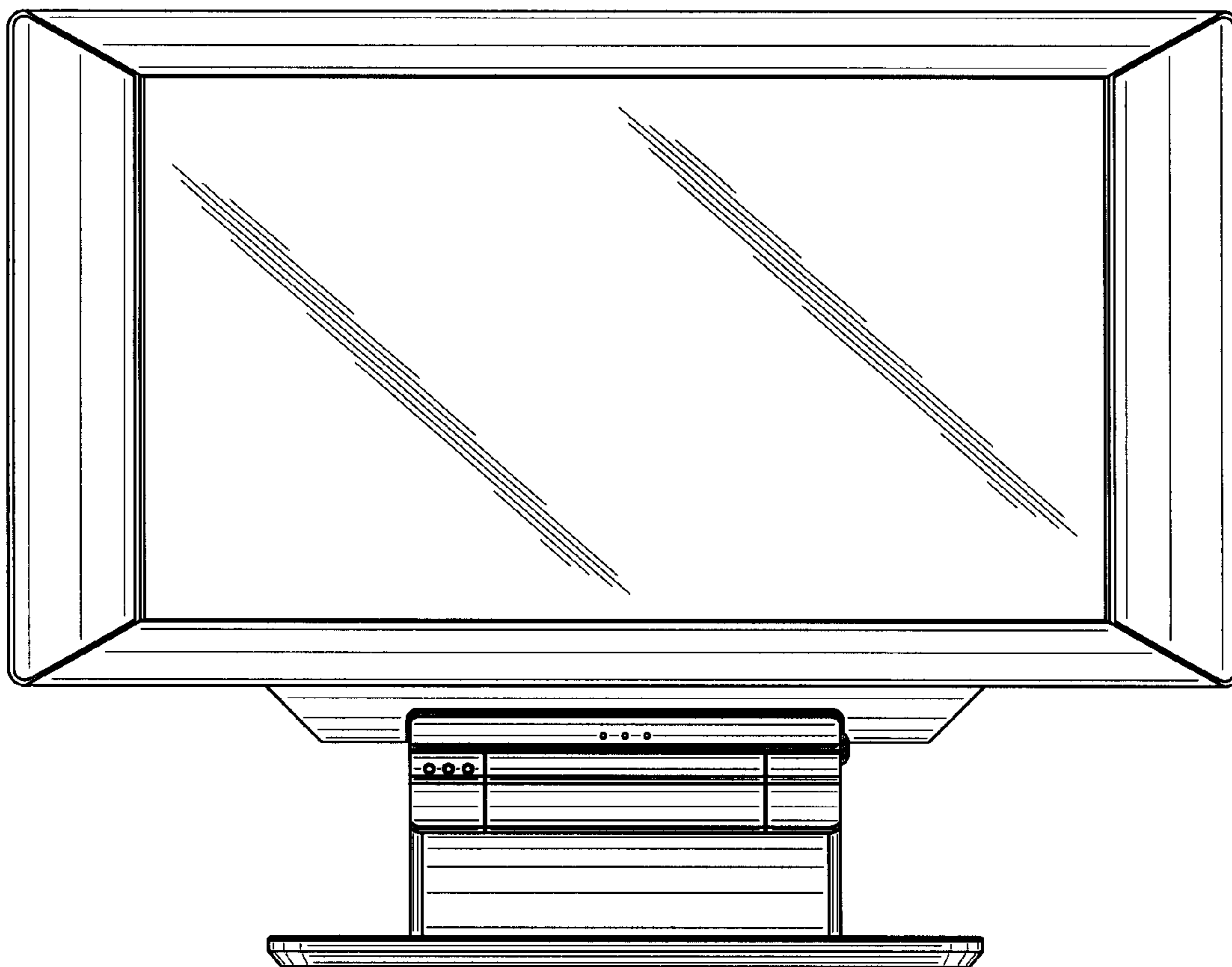


FIG. 2

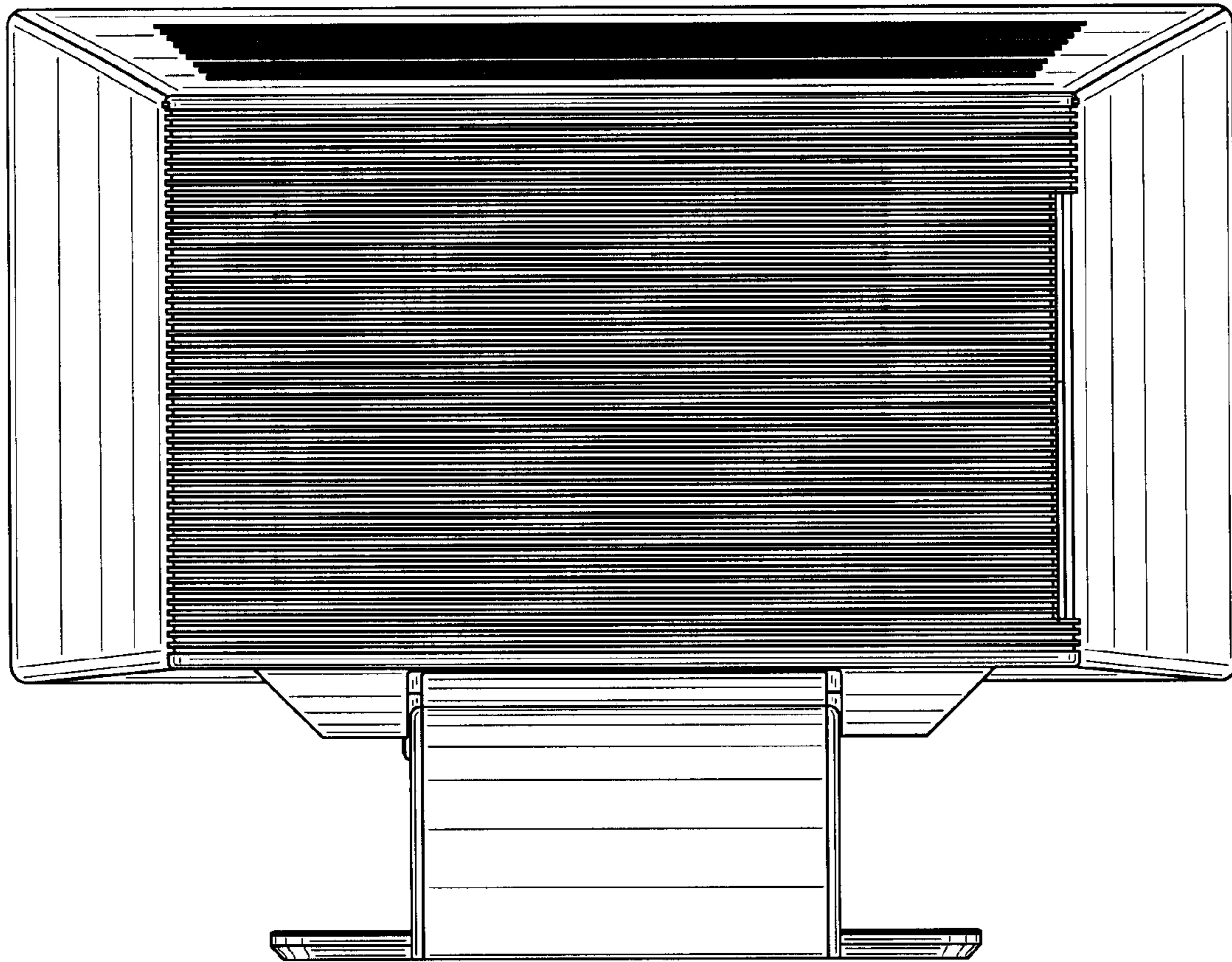


FIG. 3

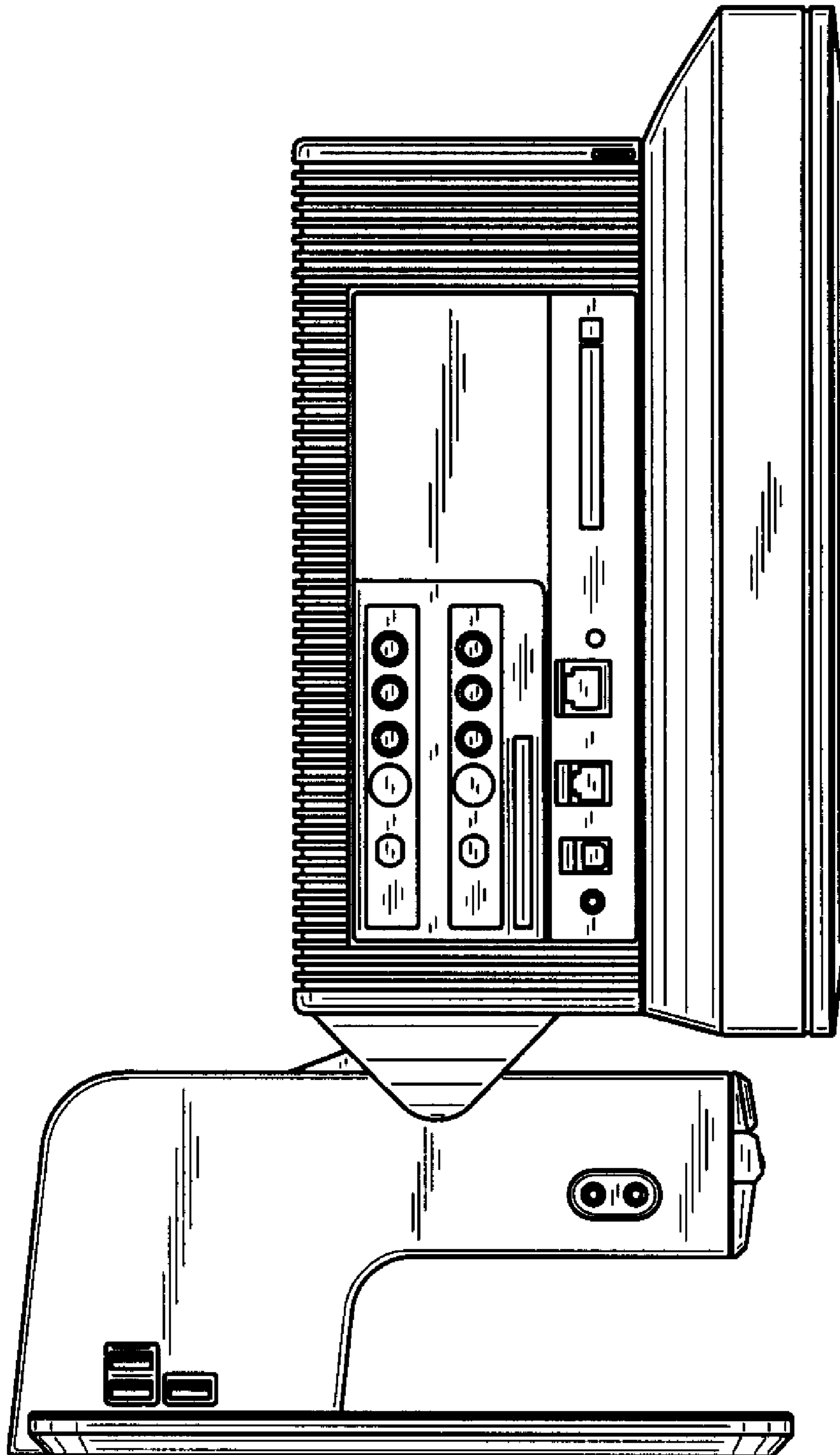


FIG. 4

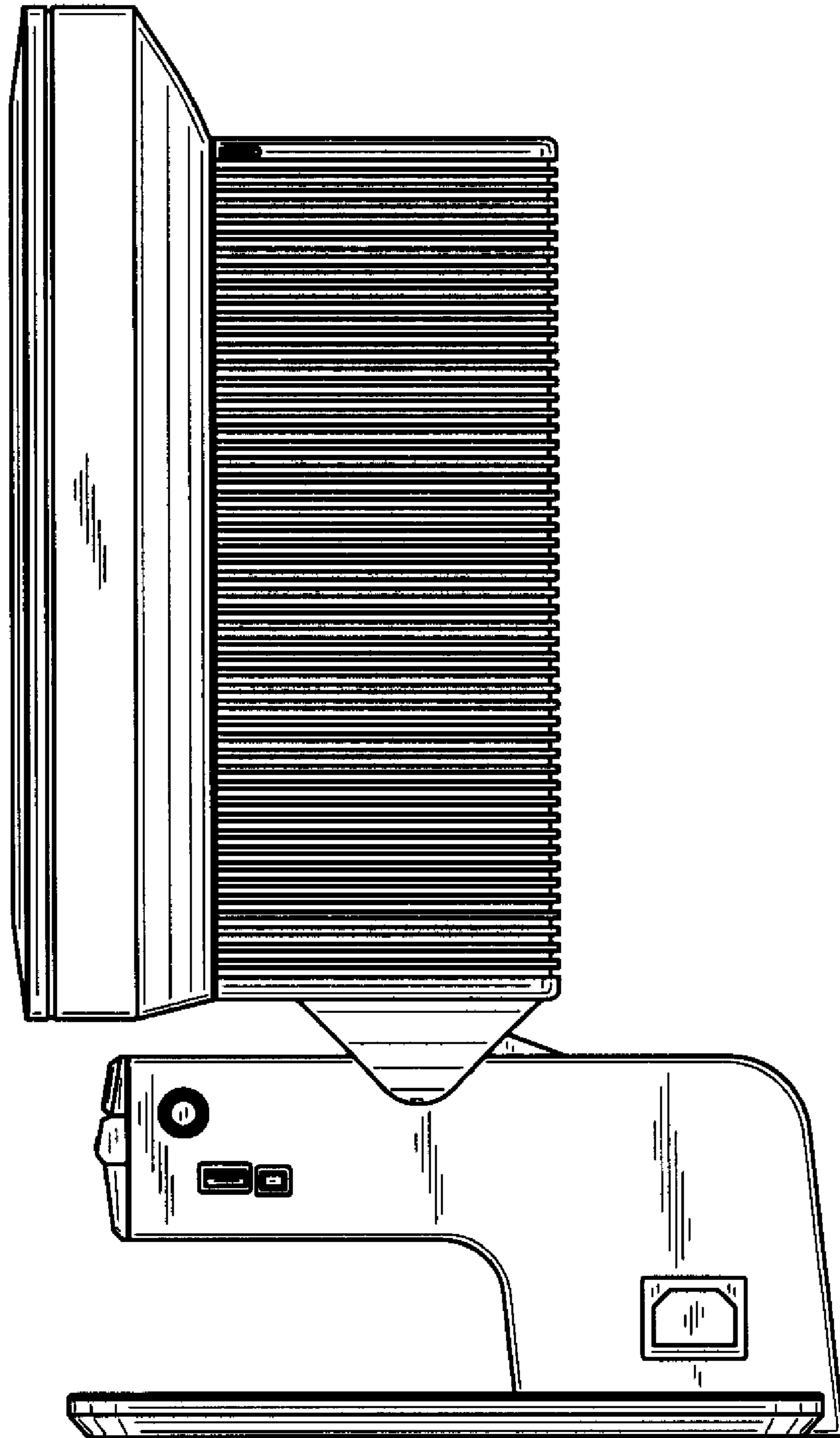


FIG. 5

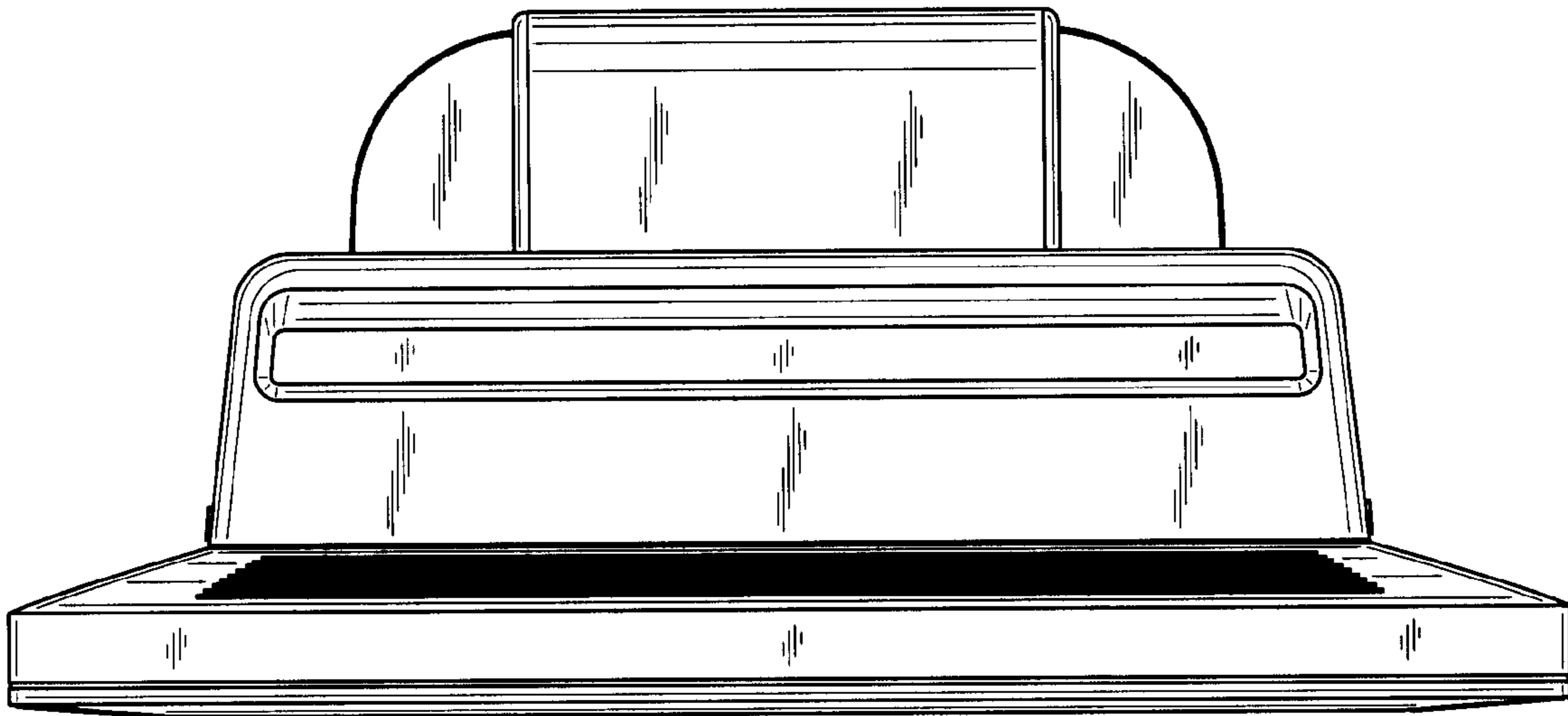


FIG. 6

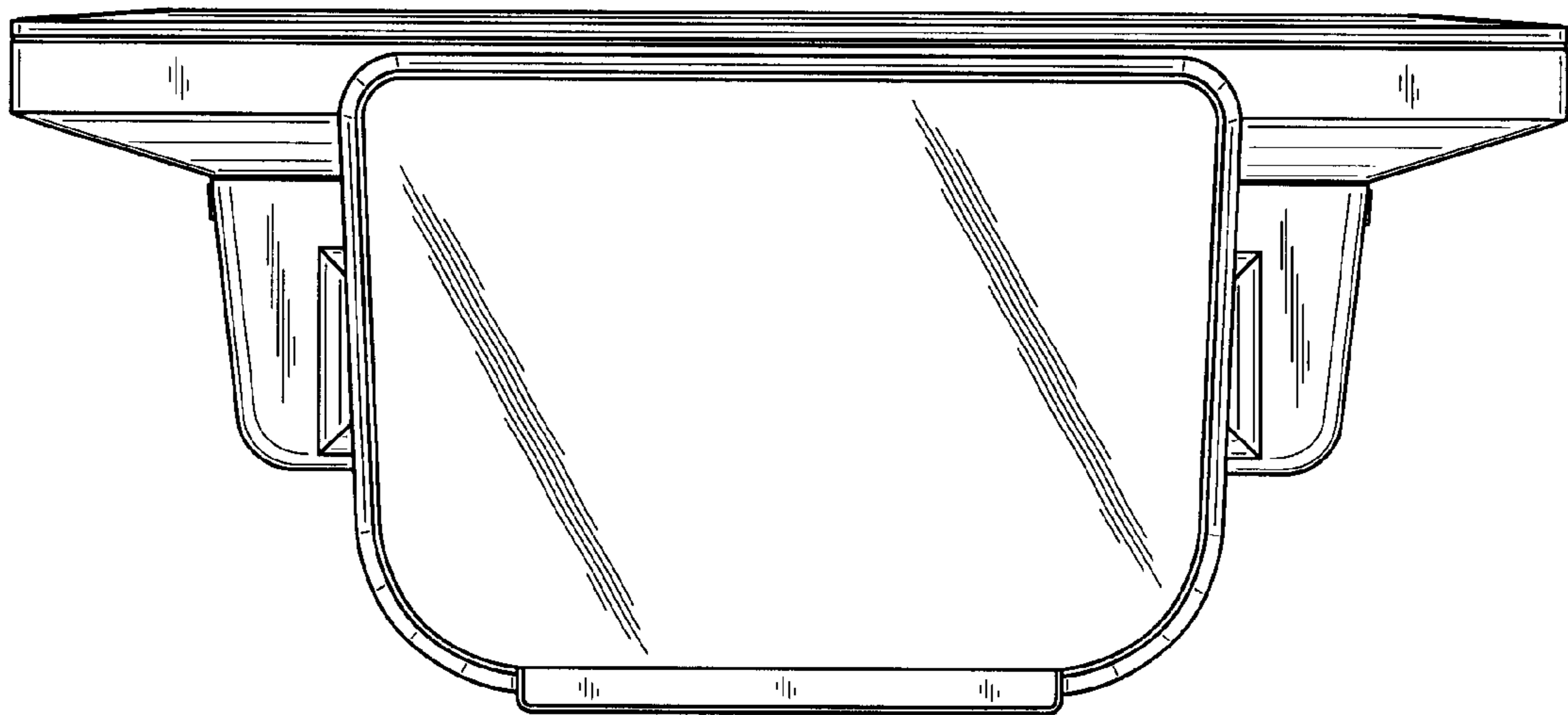


FIG. 7