



US00D543973S

(12) **United States Design Patent**  
**Wang et al.**

(10) **Patent No.:** **US D543,973 S**

(45) **Date of Patent:** **\*\* Jun. 5, 2007**

(54) **YAGI ANTENNA**

D327,691 S \* 7/1992 Ogawa et al. .... D14/230  
D435,251 S \* 12/2000 Overton ..... D14/230

(75) Inventors: **Hong-Tien Wang**, Taipei (TW);  
**Szu-Yu Hsu**, Taipei (TW)

\* cited by examiner

(73) Assignee: **Tatung Co., Ltd.**, Taipei (TW)

*Primary Examiner*—Louis S. Zarfes

*Assistant Examiner*—John Windmuller

(\*\*) Term: **14 Years**

(74) *Attorney, Agent, or Firm*—Bacon & Thomas PLLC

(21) Appl. No.: **29/206,519**

(57) **CLAIM**

(22) Filed: **Jun. 2, 2004**

The ornamental design for a Yagi antenna, as shown.

(51) **LOC (8) Cl.** ..... **14-03**

(52) **U.S. Cl.** ..... **D14/230**

(58) **Field of Classification Search** ..... D14/138,  
D14/230-238, 299, 358; D12/42, 43; 343/700 R-705,  
343/871-908, 795, 840, 711-713, 819, 846;  
455/90.2, 90.3, 91, 128, 269, 344, 347, 562.1  
See application file for complete search history.

**DESCRIPTION**

FIG. 1 is a top perspective view of a Yagi antenna showing our new design;

FIG. 2 is a front elevational view thereof;

FIG. 3 is a rear elevational view thereof;

FIG. 4 is a left side elevational view thereof;

FIG. 5 is a right side elevational view thereof;

FIG. 6 is a top plan view thereof; and,

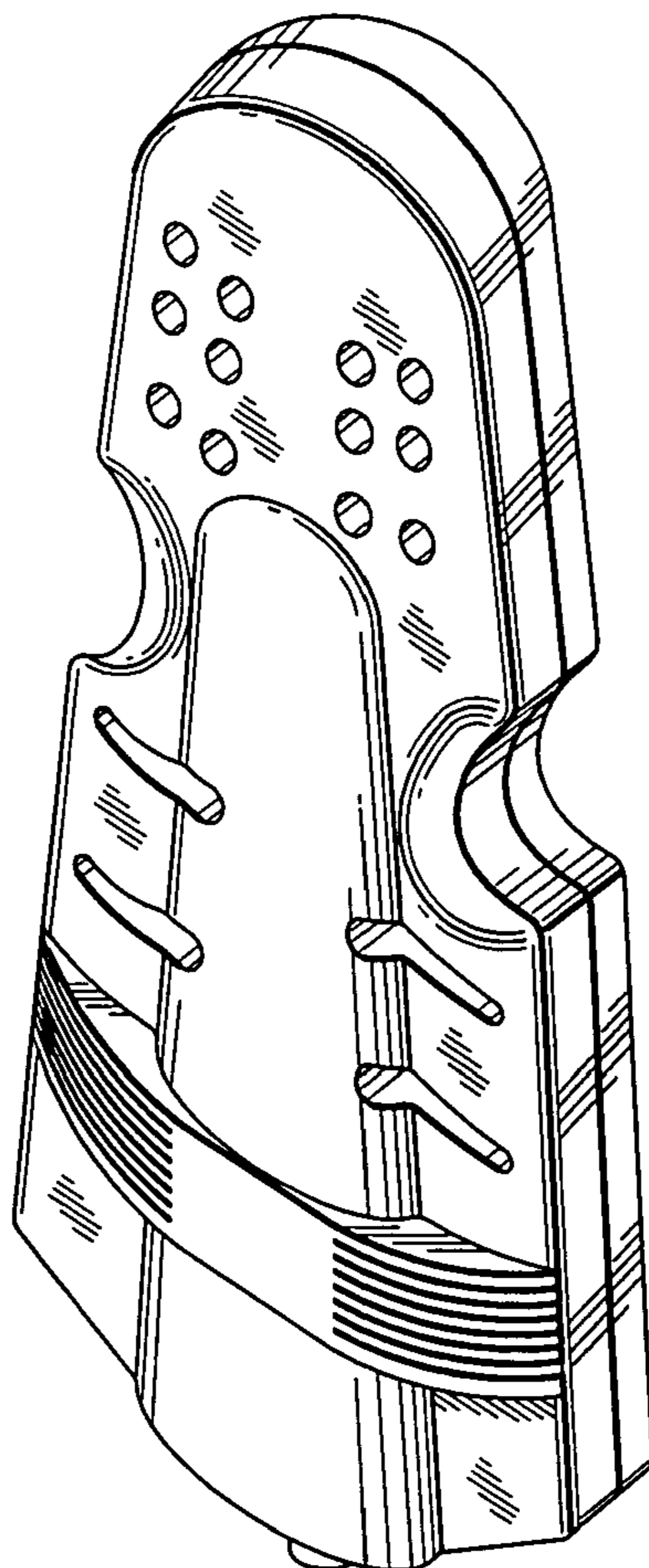
FIG. 7 is a bottom plan view thereof.

(56) **References Cited**

**U.S. PATENT DOCUMENTS**

2,946,833 A \* 7/1960 Beaver et al. .... 343/905  
D188,495 S \* 8/1960 Gould ..... D14/230

**1 Claim, 3 Drawing Sheets**



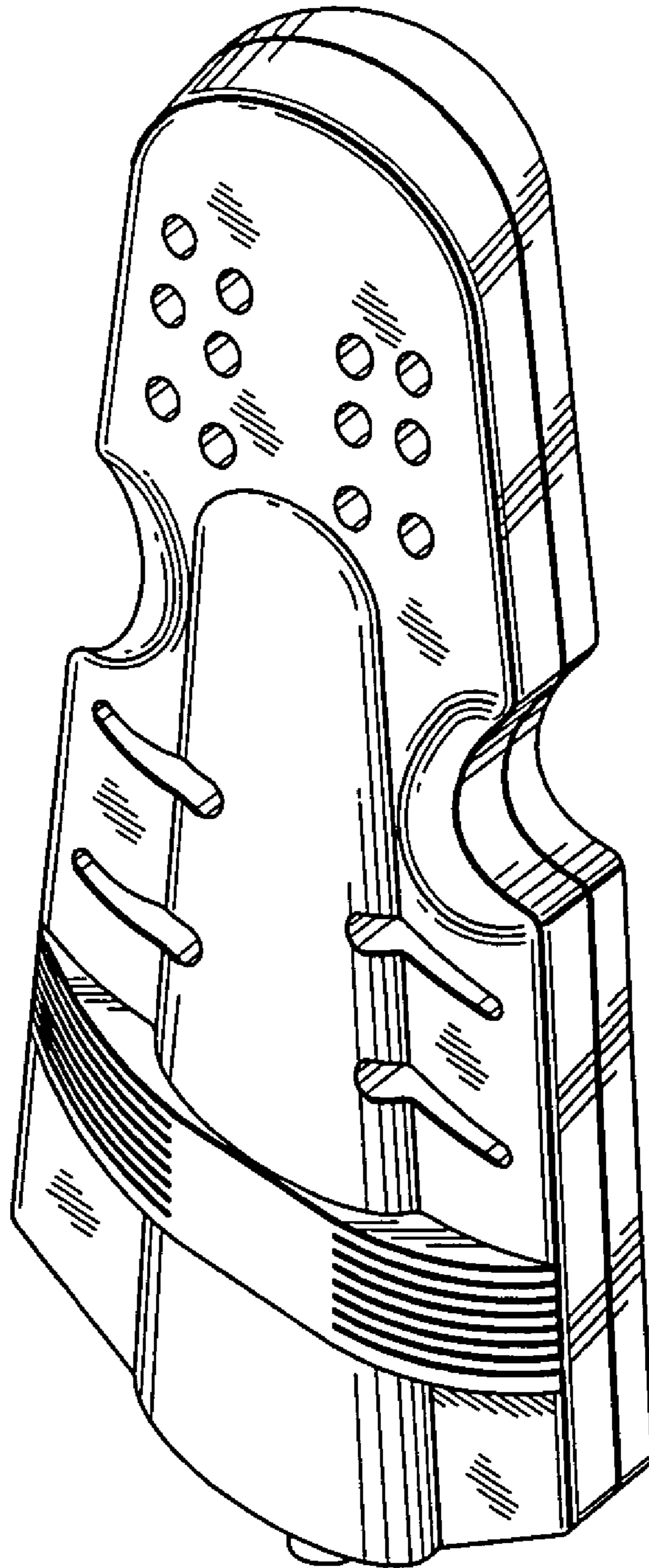


FIG. 1

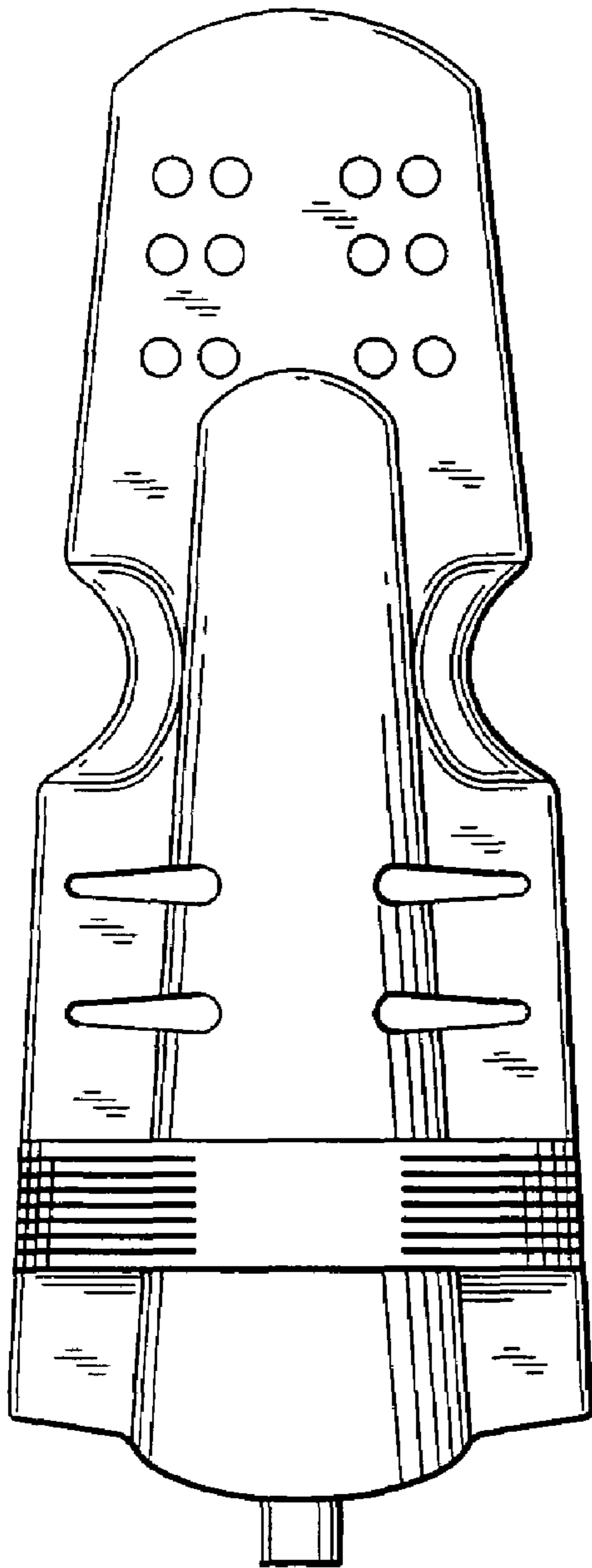


FIG. 2

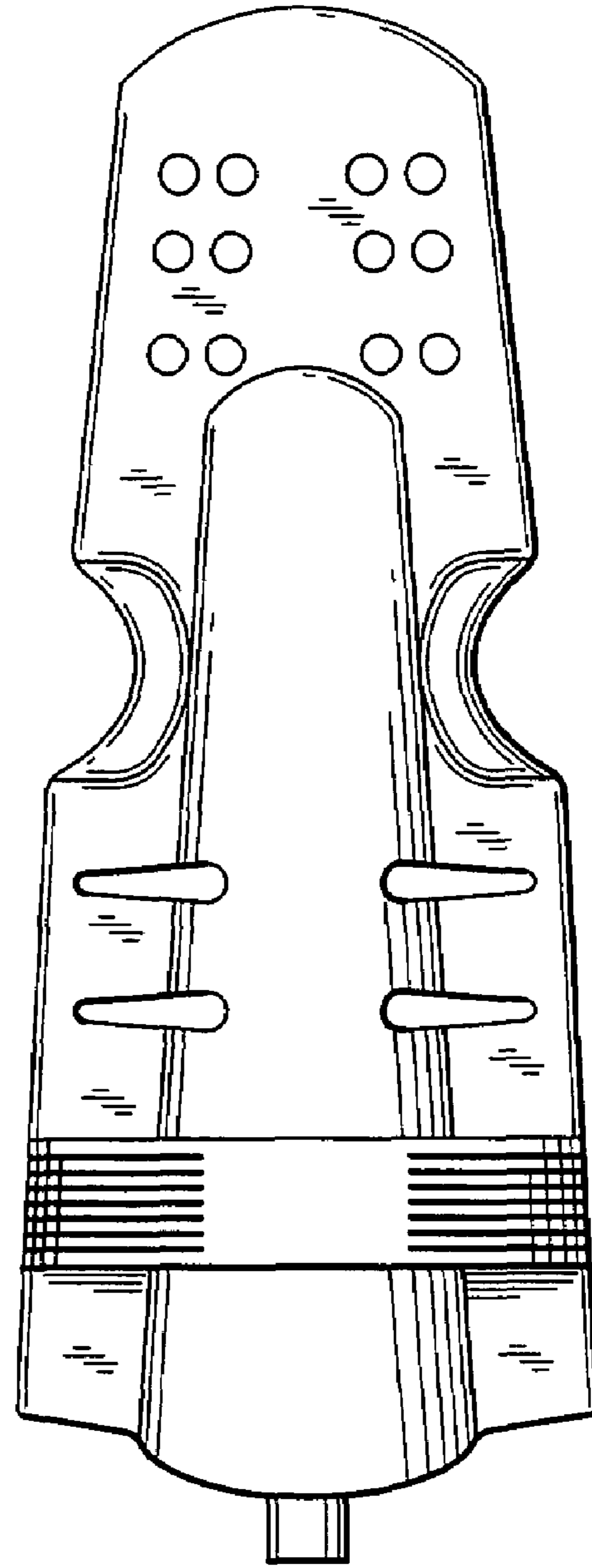


FIG. 3

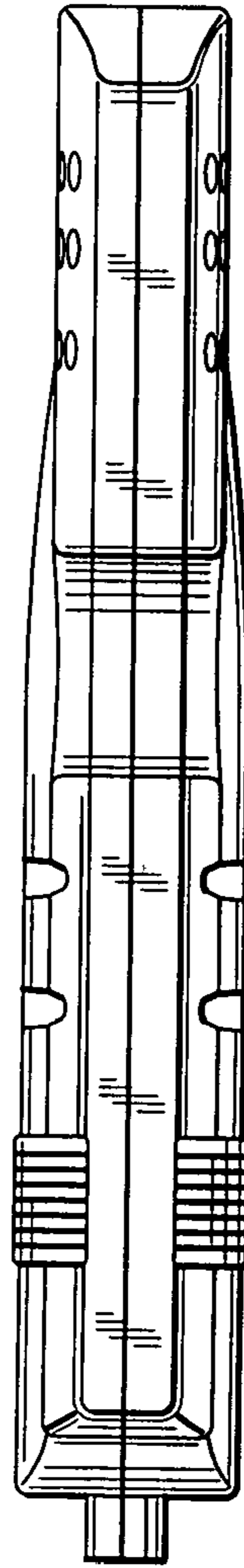


FIG. 4

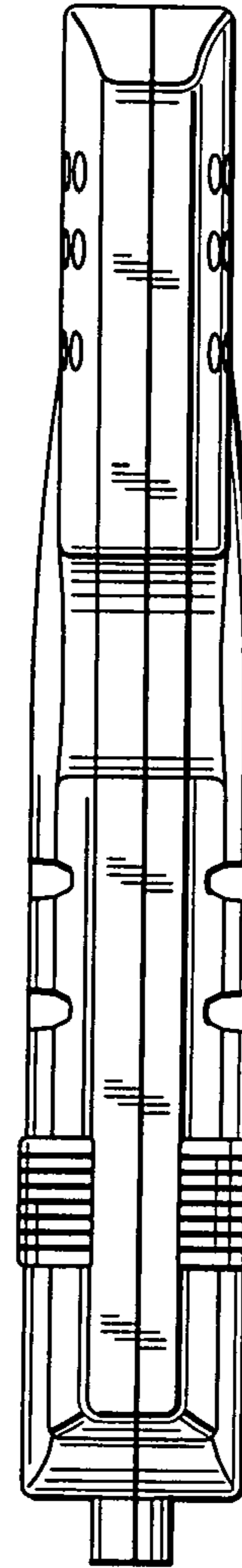


FIG. 5

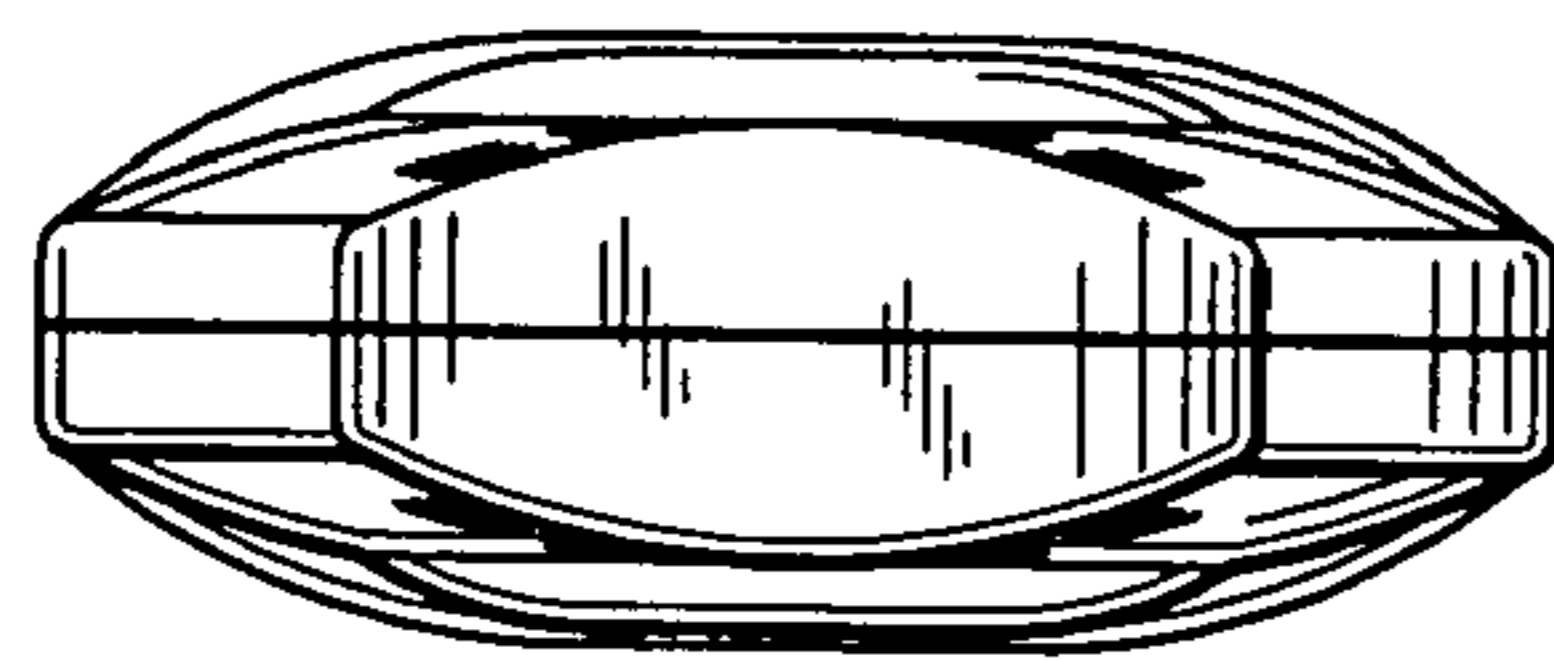


FIG. 6

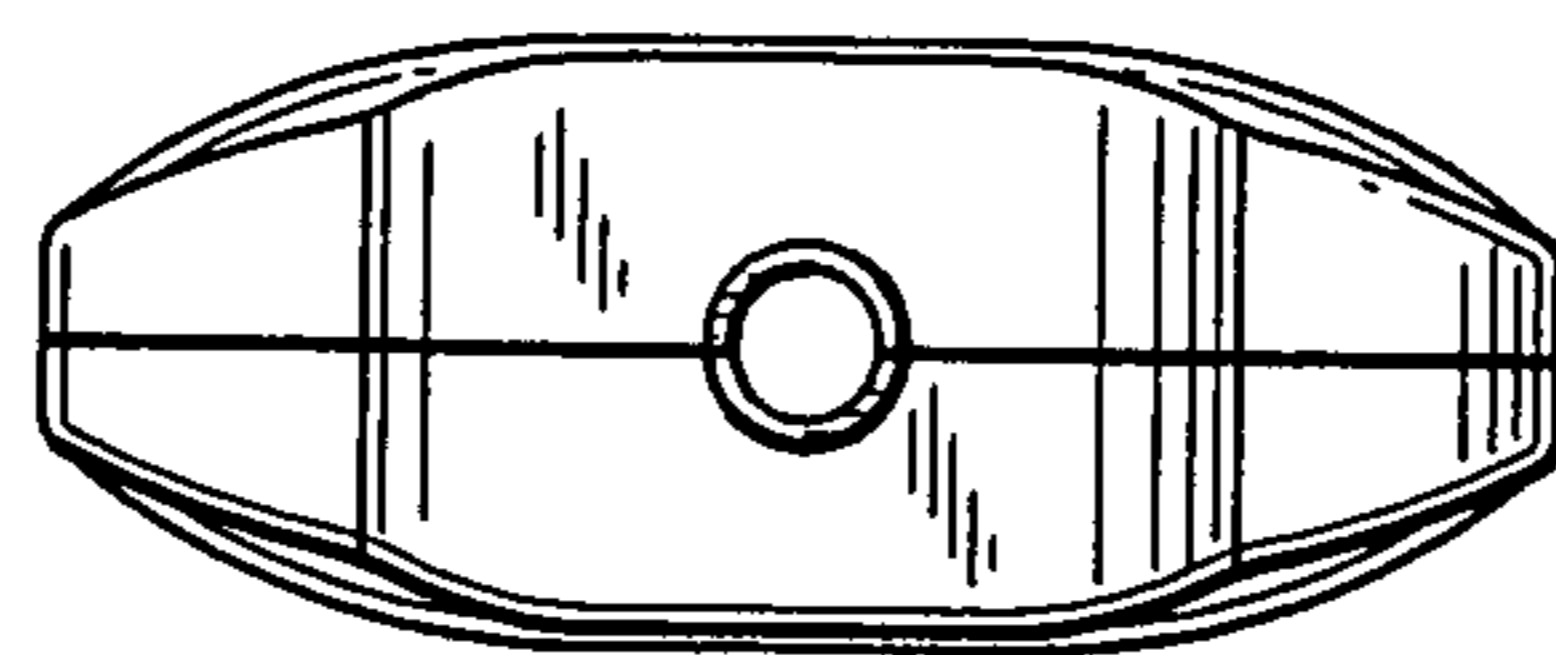


FIG. 7