



US00D543970S

(12) **United States Design Patent**  
**Griffin**

(10) **Patent No.:** **US D543,970 S**

(45) **Date of Patent:** **\*\* Jun. 5, 2007**

(54) **SECUREMENT DEVICE ATTACHABLE TO AN ELECTRONIC DEVICE**

(76) Inventor: **Paul Griffin**, 2846 Polo Club Rd., Nashville, TN (US) 37221

(\*\*) Term: **14 Years**

(21) Appl. No.: **29/238,956**

(22) Filed: **Sep. 23, 2005**

(51) **LOC (8) Cl.** ..... **14-02**

(52) **U.S. Cl.** ..... **D14/217; D14/432; D14/435**

(58) **Field of Classification Search** ..... D14/433-36, D14/167, 496, 483, 356, 156-58, 217, 192; 361/684, 66, 752, 737, 740, 686; 439/59, 439/660, 135, 131; 455/41.1-41.2; 345/163, 345/1.2, 536-37; 235/380, 439, 451; 360/97.01; D3/218, 220; 30/162.2, 136, 169; D10/57, D10/60; 365/131; 362/118; D21/793; D19/41-51, D19/35, 36, 53-58; 401/99, 131, 104-109  
See application file for complete search history.

(56) **References Cited**

**U.S. PATENT DOCUMENTS**

D291,452 S *	8/1987	Kodera	.....	D19/57
D304,191 S *	10/1989	Sekine	.....	D14/192
D309,913 S *	8/1990	Shintani	.....	D19/43
D325,931 S *	5/1992	Sekiguchi	.....	D19/43
D329,253 S *	9/1992	Sekiguchi	.....	D19/43
D331,070 S *	11/1992	Hu Huang	.....	D19/43
D340,947 S *	11/1993	Tu	.....	D19/43
5,308,178 A *	5/1994	Jiang	.....	401/8
D385,918 S *	11/1997	Katami	.....	D19/57
D399,253 S *	10/1998	Raymond	.....	D19/36
D458,966 S *	6/2002	Oka	.....	D19/57
D462,689 S *	9/2002	Moran	.....	D14/433

D470,529 S *	2/2003	Tu	.....	D19/43
6,522,534 B1 *	2/2003	Wu	.....	361/686
D476,363 S *	6/2003	Hung	.....	D19/43
6,618,243 B1 *	9/2003	Tirosh	.....	361/683
6,639,791 B2 *	10/2003	Su	.....	361/685
D486,806 S *	2/2004	Takayama et al.	.....	D14/137
2003/0002911 A1 *	1/2003	Berhin	.....	401/104
2003/0167376 A1 *	9/2003	Koh	.....	711/115

\* cited by examiner

*Primary Examiner*—M. H. Tung

*Assistant Examiner*—Susan Moon Lee

(74) *Attorney, Agent, or Firm*—Michael E. McKee

(57) **CLAIM**

The ornamental design for a securement device attachable to an electronic device, as shown and described.

**DESCRIPTION**

FIG. 1 is a perspective view of a securement device attachable to an electronic device showing my new design and illustrating in phantom a fragment of an electronic device which is attachable to the securement device;

FIG. 2 is a front view thereof as seen from below in FIG. 1;

FIG. 3 is a back view thereof;

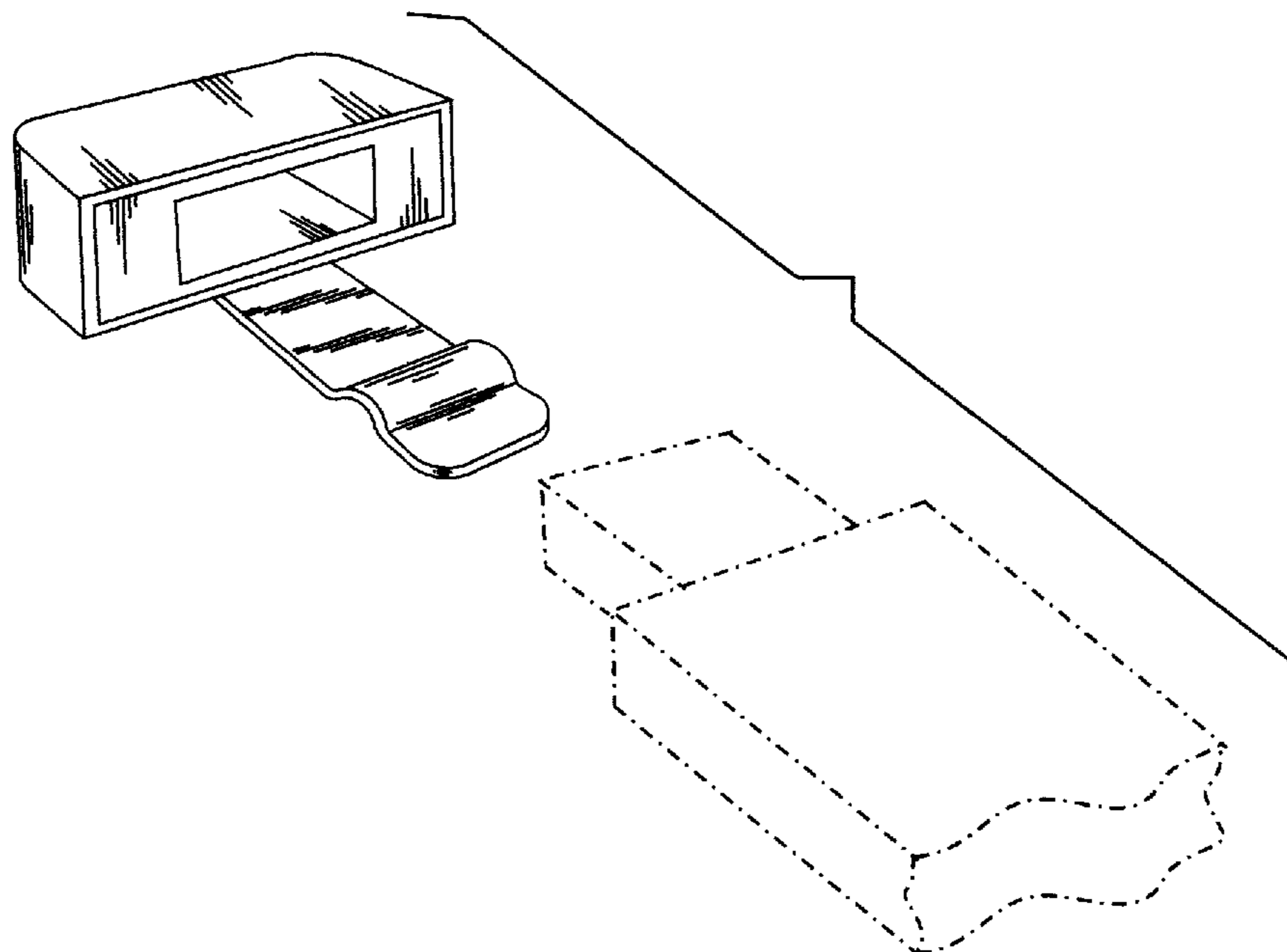
FIG. 4 is a top view thereof;

FIG. 5 is a bottom view thereof; and,

FIG. 6 is a side elevational view thereof as seen from the left in FIG. 2, the right side elevational view being a mirror image.

The portions shown in broken line are illustrative and form no part of the claimed design.

**1 Claim, 2 Drawing Sheets**



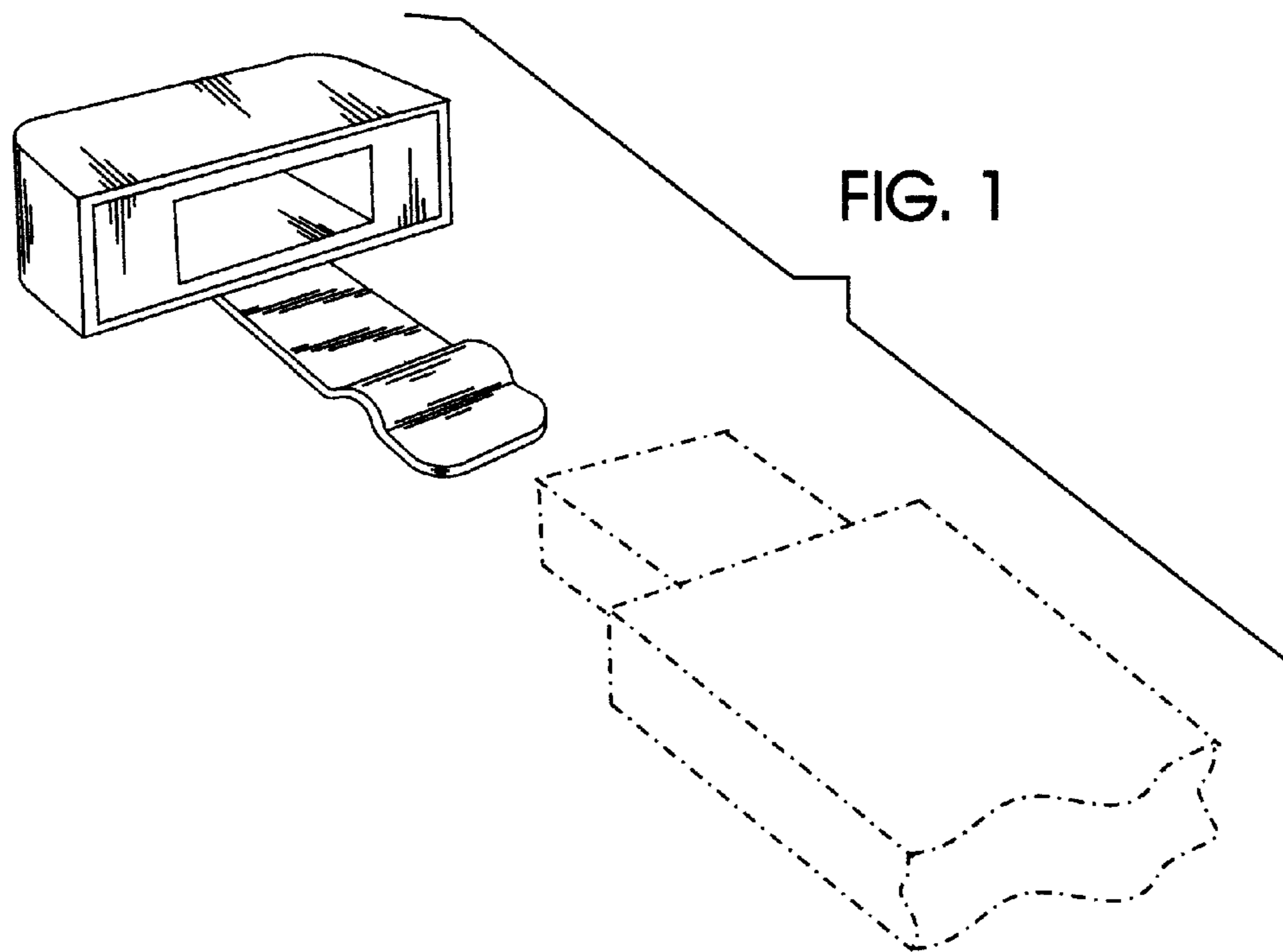


FIG. 1

FIG. 4



FIG. 5

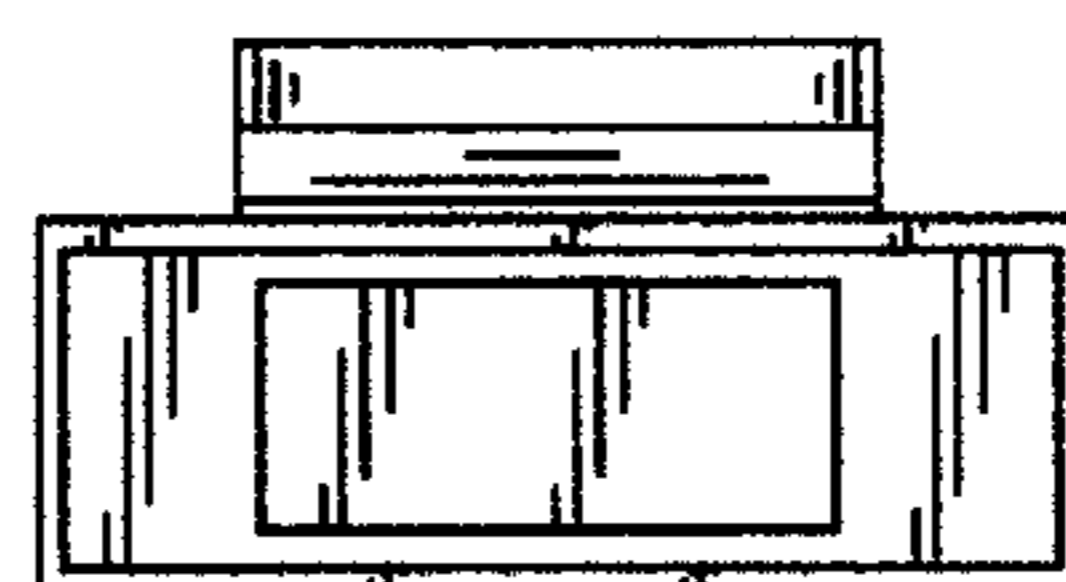


FIG. 2

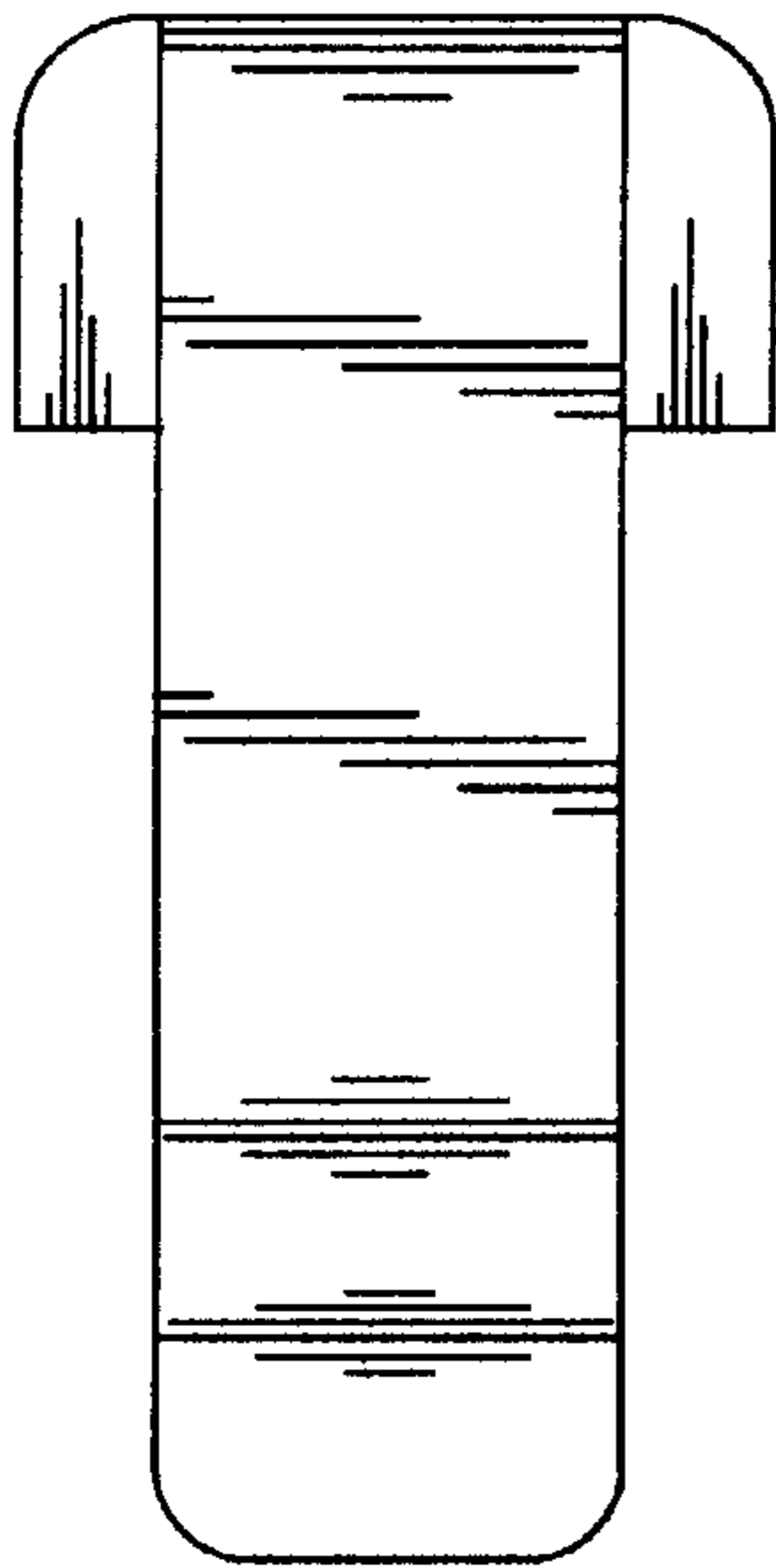


FIG. 3

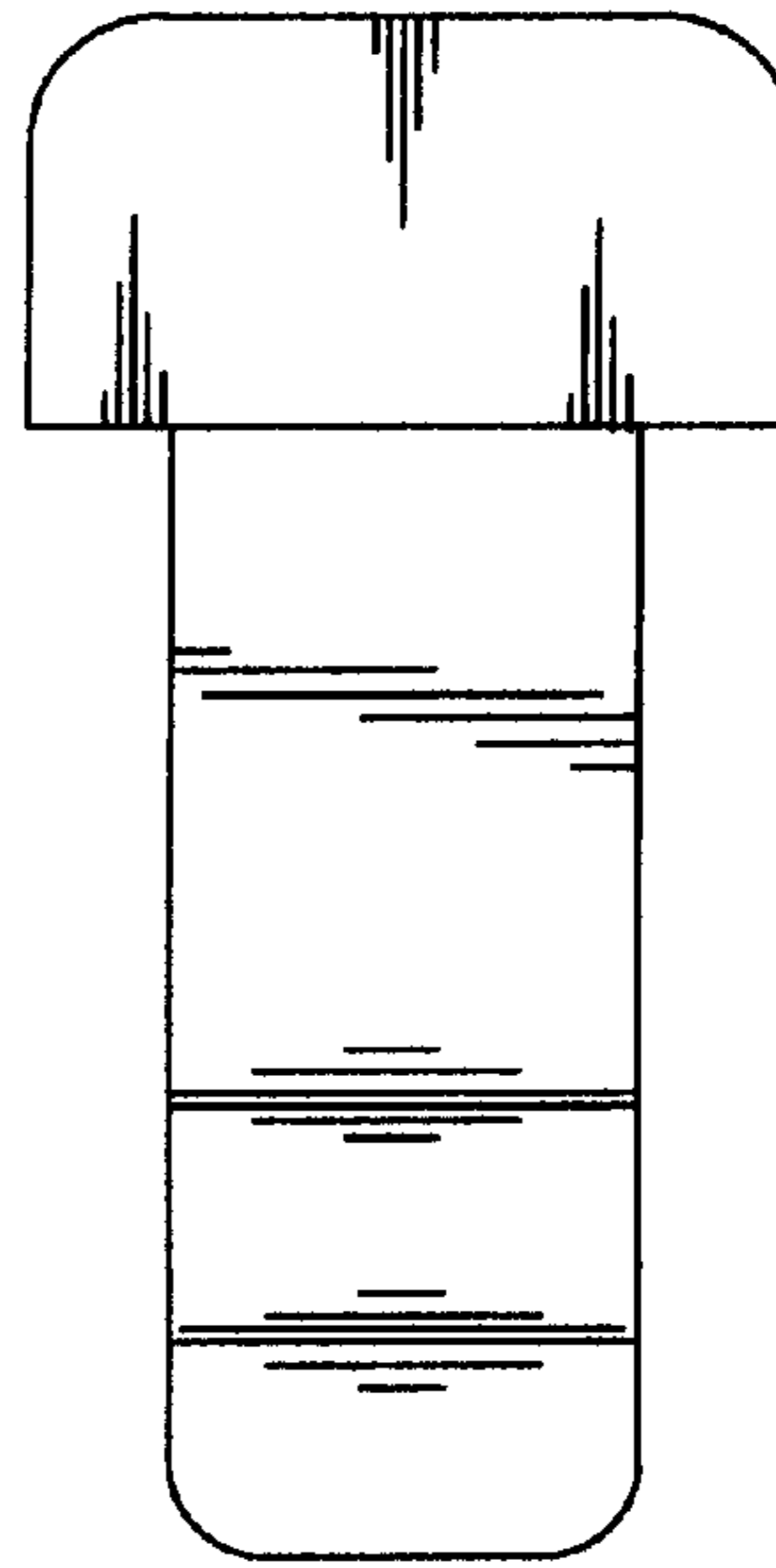


FIG. 6

