



US00D543969S

(12) **United States Design Patent**  
**Shiono**

(10) **Patent No.:** **US D543,969 S**

(45) **Date of Patent:** **\*\* Jun. 5, 2007**

(54) **SPEAKER**

(75) Inventor: **Daisuke Shiono**, Tokyo (JP)

(73) Assignee: **Sony Corporation**, Tokyo (JP)

(\*\*) Term: **14 Years**

(21) Appl. No.: **29/256,204**

(22) Filed: **Mar. 20, 2006**

(30) **Foreign Application Priority Data**

Sep. 30, 2005 (CN) ..... 2005 3 0129136

(51) **LOC (8) Cl.** ..... **14-01**

(52) **U.S. Cl.** ..... **D14/216**

(58) **Field of Classification Search** ..... D14/204,  
D14/209-216, 221; 181/143-144, 147-148,  
181/150, 157, 198-199, 151, 153; 381/300-302,  
381/306, 333, 345, 361-364, 386-388, 332,  
381/336

See application file for complete search history.

(56) **References Cited**

U.S. PATENT DOCUMENTS

D288,807 S \* 3/1987 Hlavaty ..... D14/215

D393,641 S \* 4/1998 Hai-Fu ..... D14/216

D448,017 S \* 9/2001 Hasbrook ..... D14/216

D465,478 S 11/2002 Tanaka

D467,906 S 12/2002 Sadatsuki

\* cited by examiner

*Primary Examiner*—Nanda Bondade

(74) *Attorney, Agent, or Firm*—Rader, Fishman & Grauer  
PLLC

(57) **CLAIM**

The ornamental design for a speaker, as shown.

**DESCRIPTION**

FIG. 1 is a perspective view of a speaker showing my new design;

FIG. 2 is a front elevational view thereof;

FIG. 3 is a rear elevational view thereof;

FIG. 4 is a left side elevational view thereof;

FIG. 5 is a right side elevational view thereof;

FIG. 6 is a top plan view thereof; and,

FIG. 7 is a bottom plan view thereof.

**1 Claim, 7 Drawing Sheets**

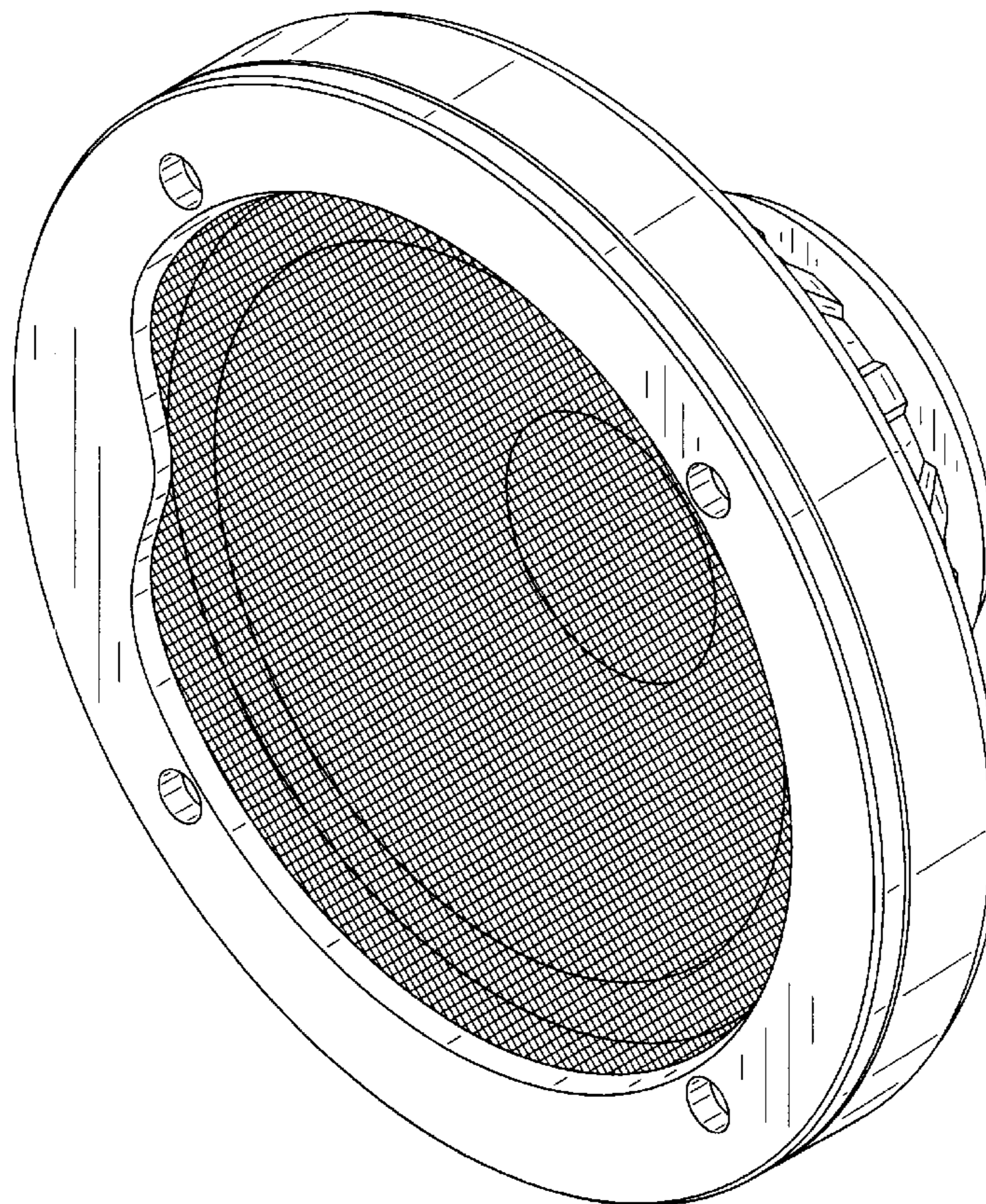




Fig.1

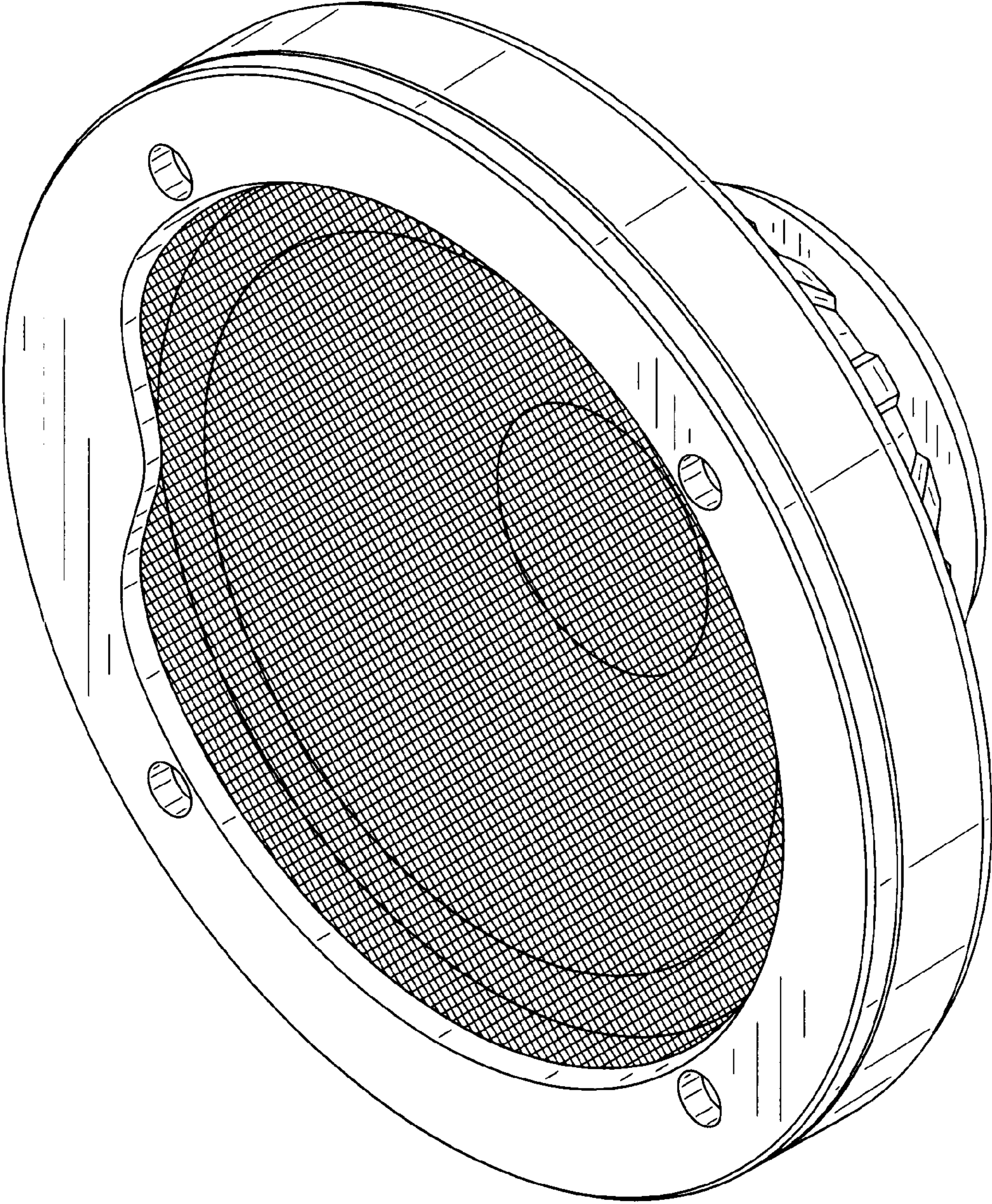




Fig.2

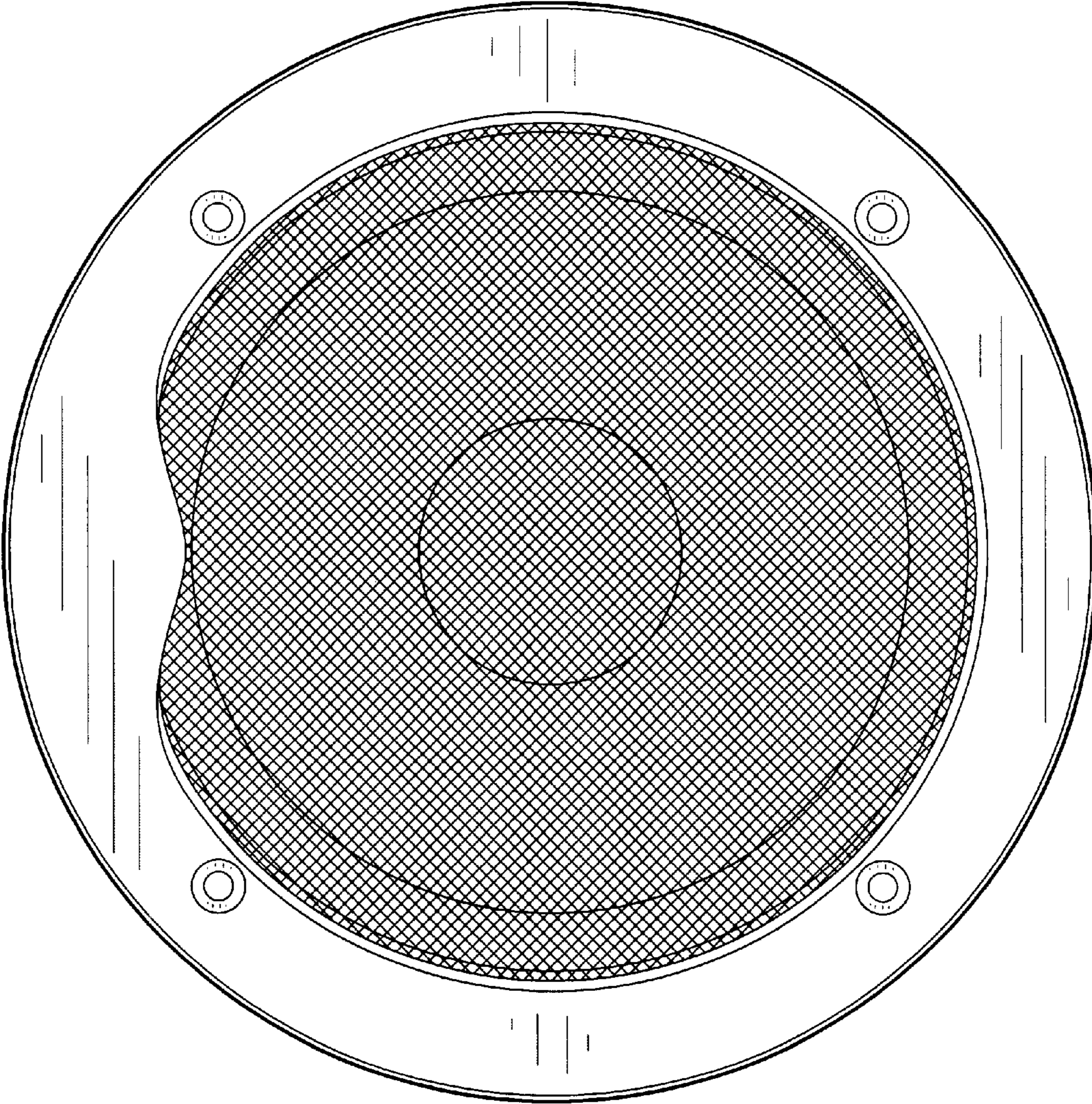




Fig.3

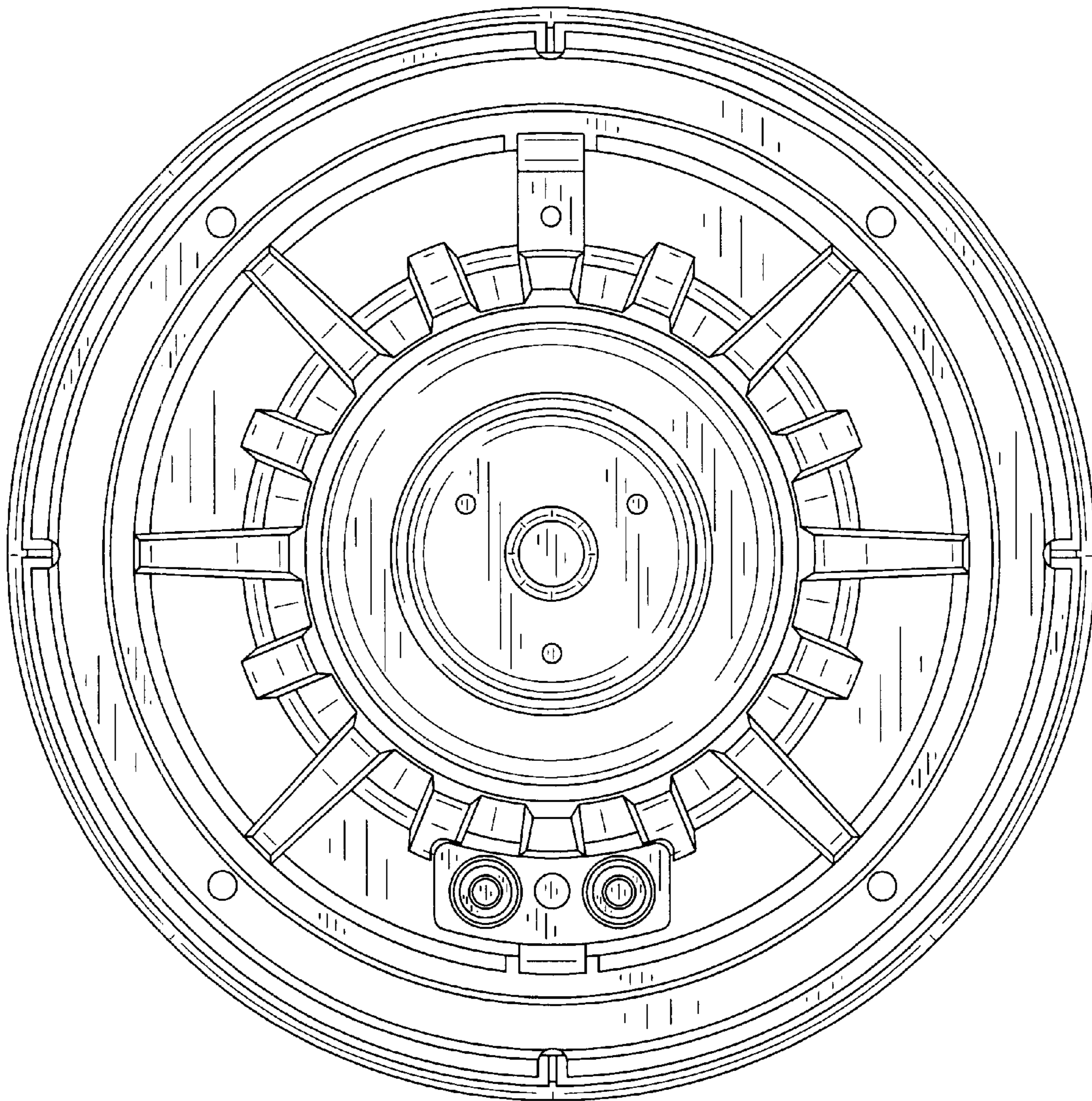


Fig.4

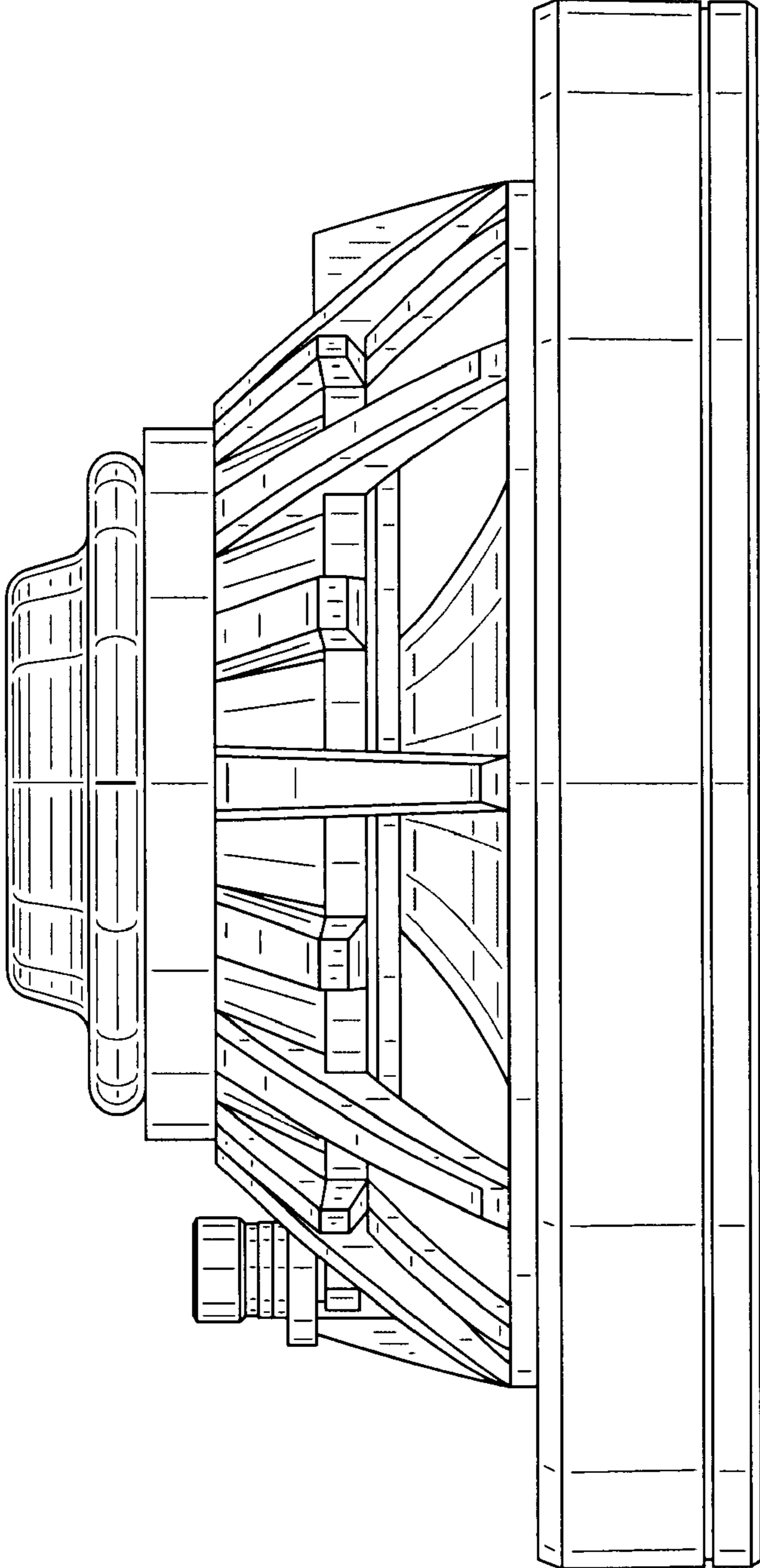


Fig.5

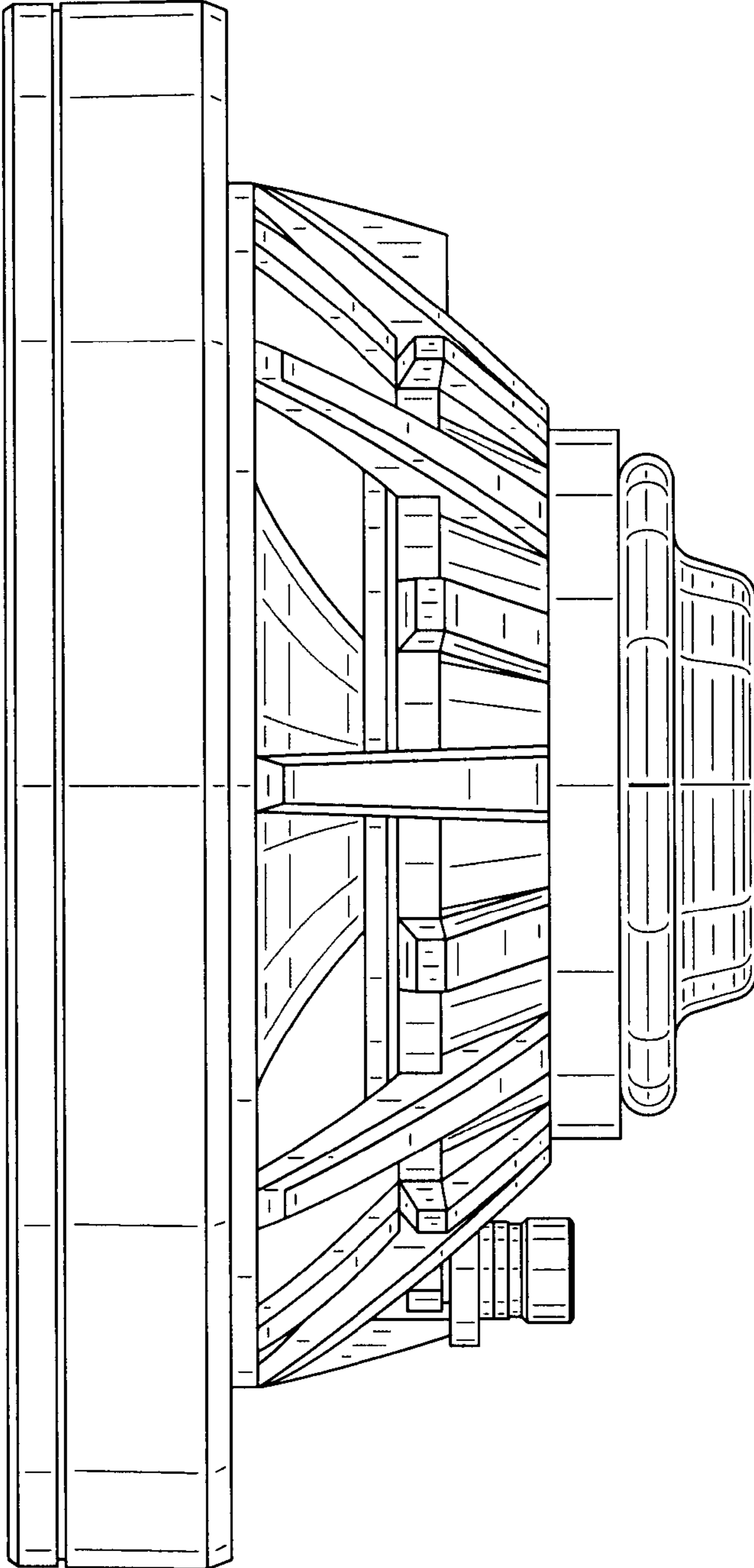


Fig.6

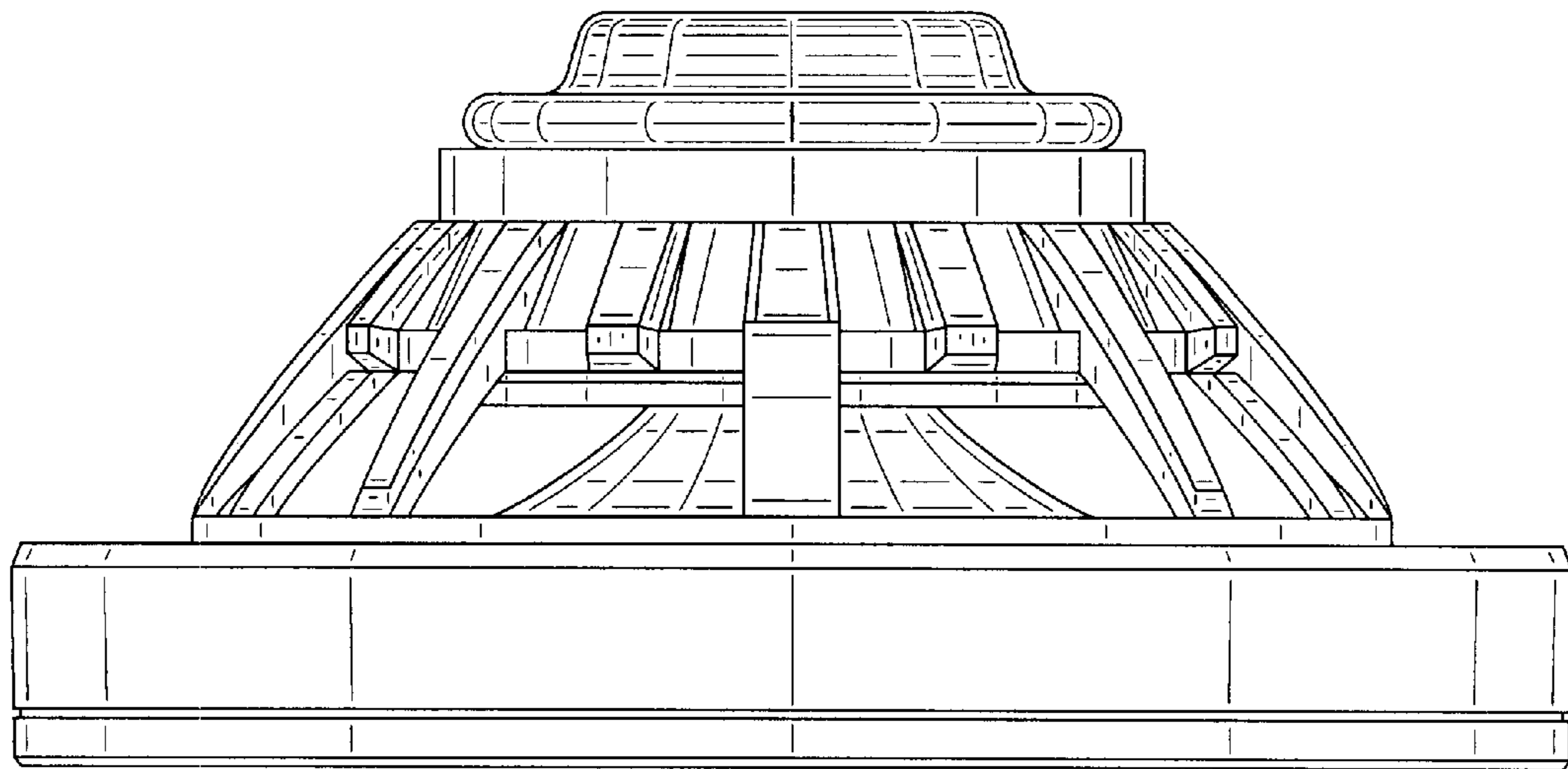


Fig.7

