

US00D543963S

(12) **United States Design Patent**
Chu

(10) **Patent No.:** **US D543,963 S**

(45) **Date of Patent:** **** Jun. 5, 2007**

(54) **TELEVISION SET**

(75) Inventor: **Chih-Ming Chu**, Taipei (TW)

(73) Assignee: **Hannspree, Inc.**, Taipei (TW)

(**) Term: **14 Years**

(21) Appl. No.: **29/265,082**

(22) Filed: **Aug. 25, 2006**

(30) **Foreign Application Priority Data**

Jun. 6, 2006 (TW) 95303121

(51) **LOC (8) Cl.** **14-03**

(52) **U.S. Cl.** **D14/126**

(58) **Field of Classification Search** D14/125-134,
D14/239, 371, 136, 374-377; 312/7.2; 348/836,
348/838, 180, 184, 325, 739; 341/12; 248/917-924,
248/465; 345/104, 133, 156, 168, 87, 173;
720/605, 669, 600, 655; 369/99, 197; 455/344-347
See application file for complete search history.

(56) **References Cited**

U.S. PATENT DOCUMENTS

D267,880 S * 2/1983 Marshall D14/374
D350,743 S * 9/1994 Hicks et al. D14/130
D407,074 S * 3/1999 Lee D14/375
D407,077 S * 3/1999 Shibata D14/374

D461,184 S * 8/2002 Chen D14/339
D467,920 S * 12/2002 Chen et al. D14/375
D483,367 S * 12/2003 Olson et al. D14/375
D496,044 S * 9/2004 Yong D14/375
D529,005 S * 9/2006 Hong D14/126
D530,686 S * 10/2006 Reza D14/126

* cited by examiner

Primary Examiner—Raphael Barkai

(74) *Attorney, Agent, or Firm*—Birch, Stewart, Kolasch & Birch, LLP

(57) **CLAIM**

The ornamental design for a television set, as shown and described.

DESCRIPTION

FIG. 1 is a front perspective view of a television set showing my new design;

FIG. 2 is a front elevational view thereof.

FIG. 3 is a rear elevational view thereof;

FIG. 4 is a left side elevational view thereof;

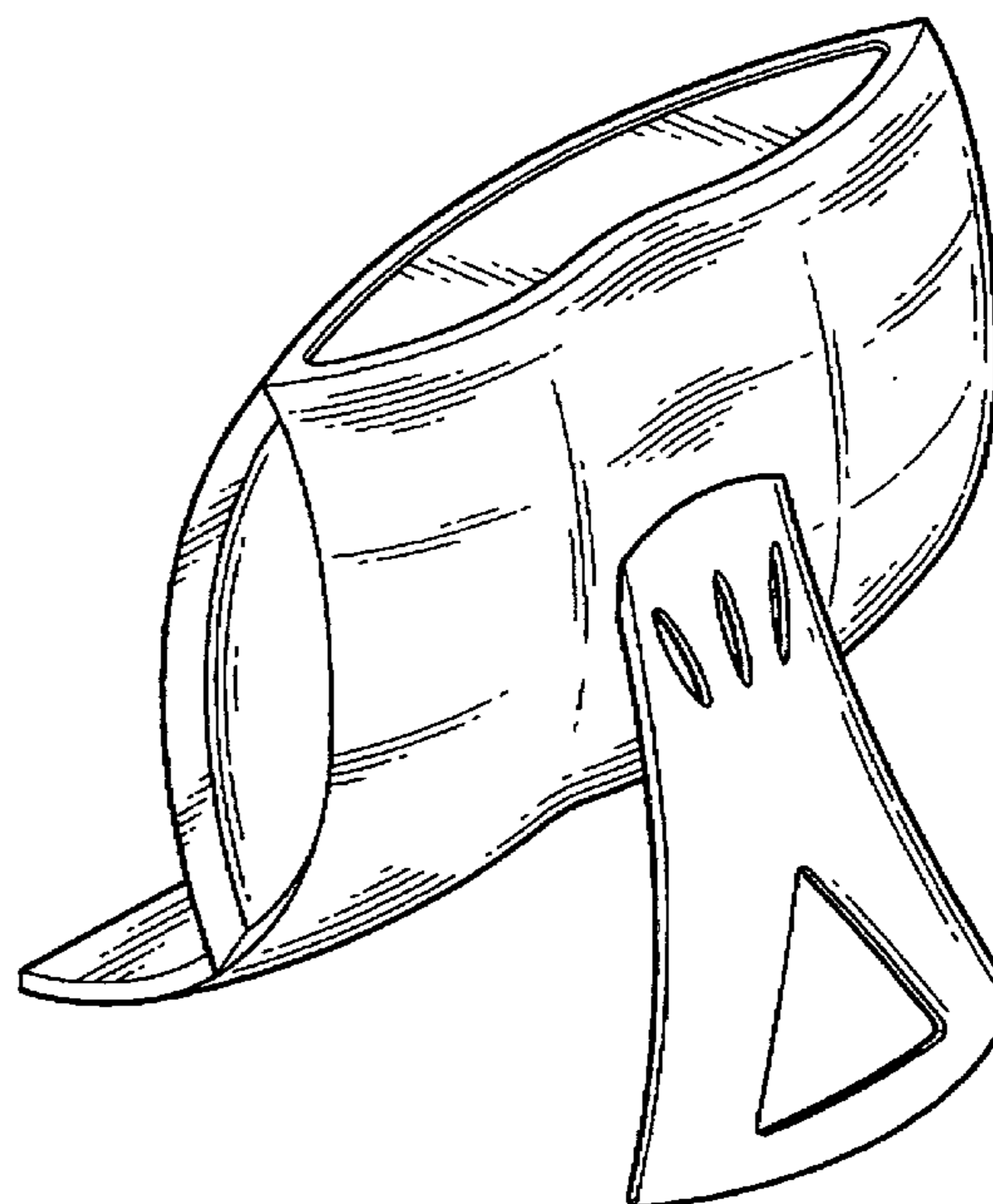
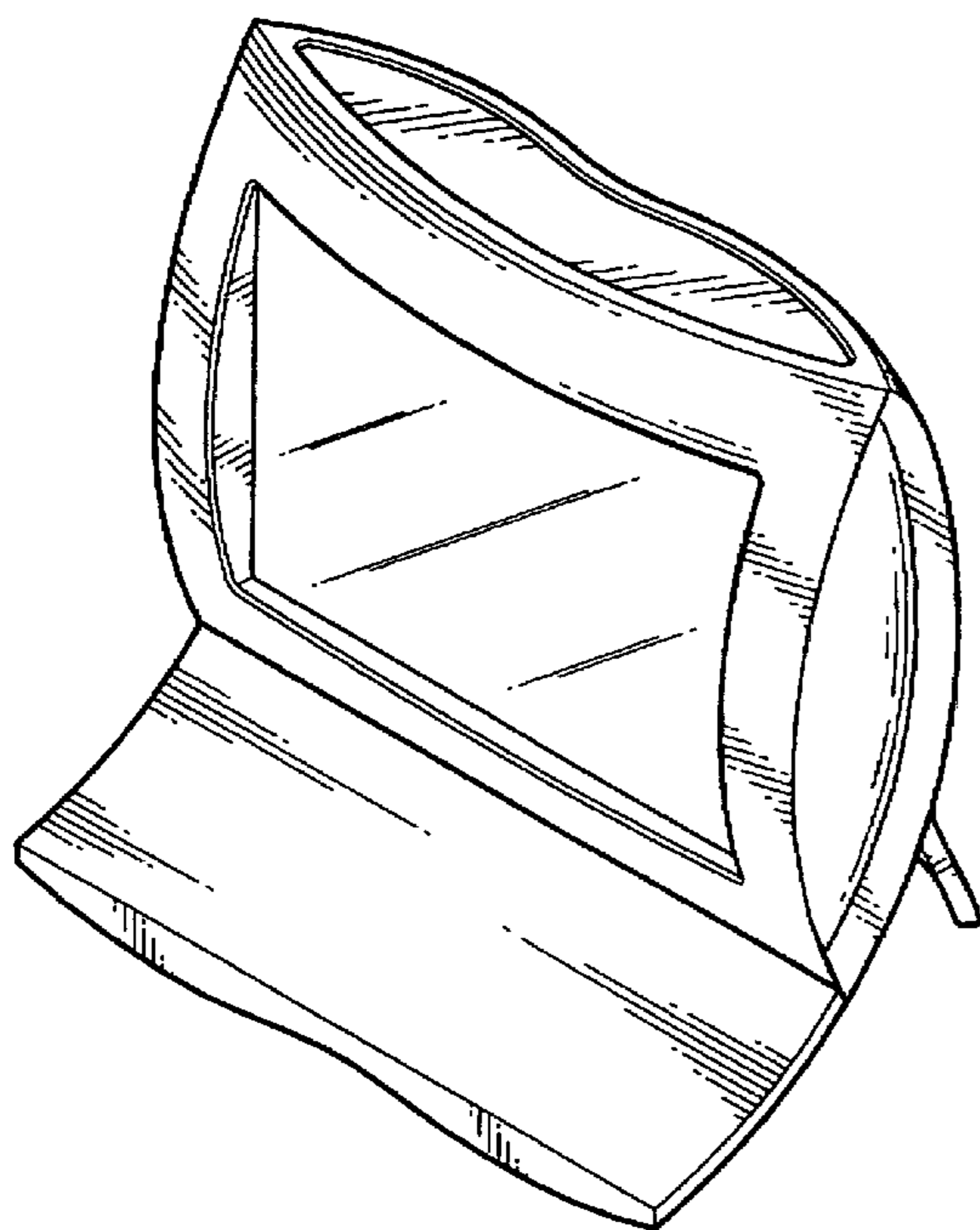
FIG. 5 is a right side elevational view thereof;

FIG. 6 is a top plan view thereof;

FIG. 7 is a bottom plan view thereof; and,

FIG. 8 is a rear perspective view thereof.

1 Claim, 5 Drawing Sheets



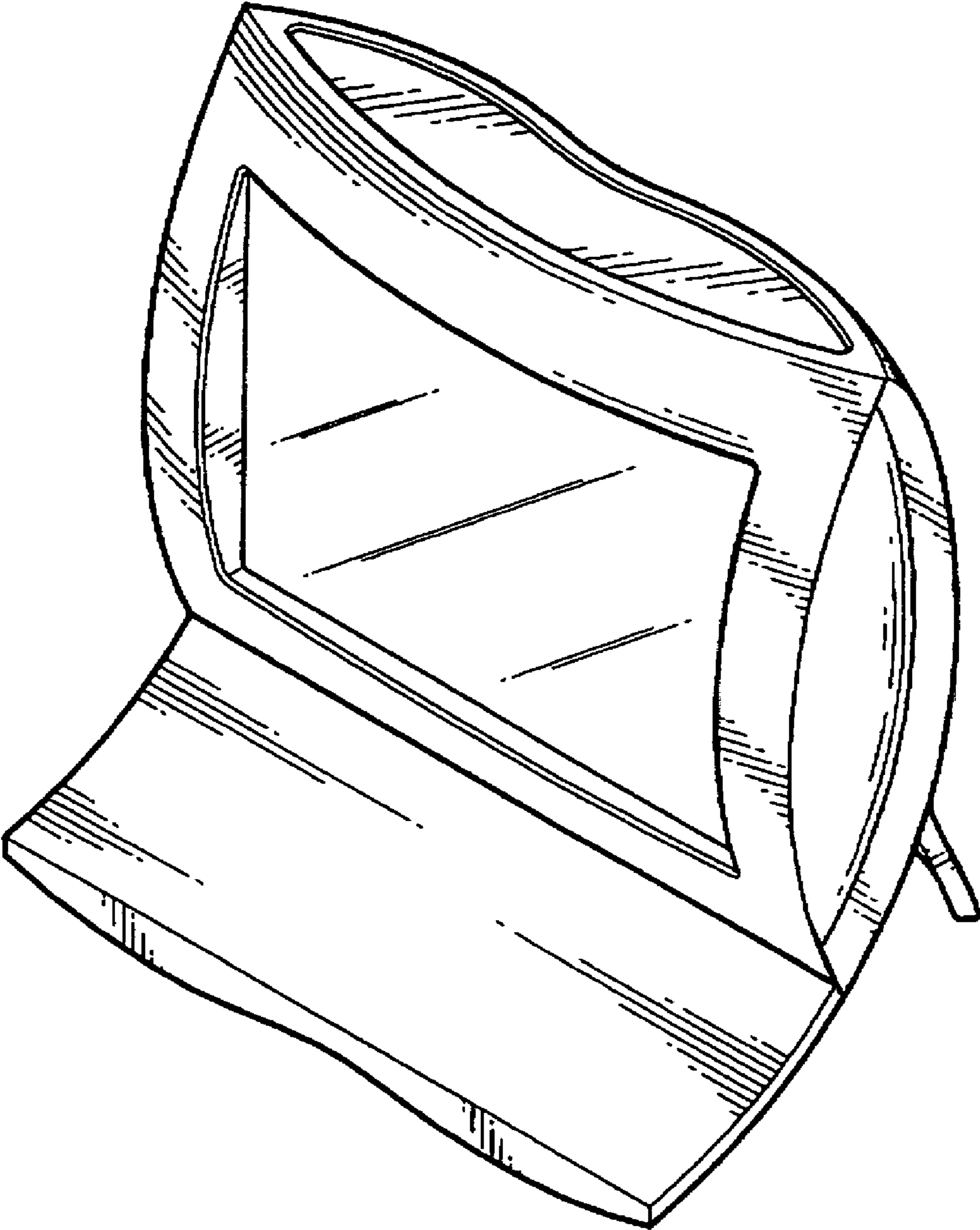


FIG. 1

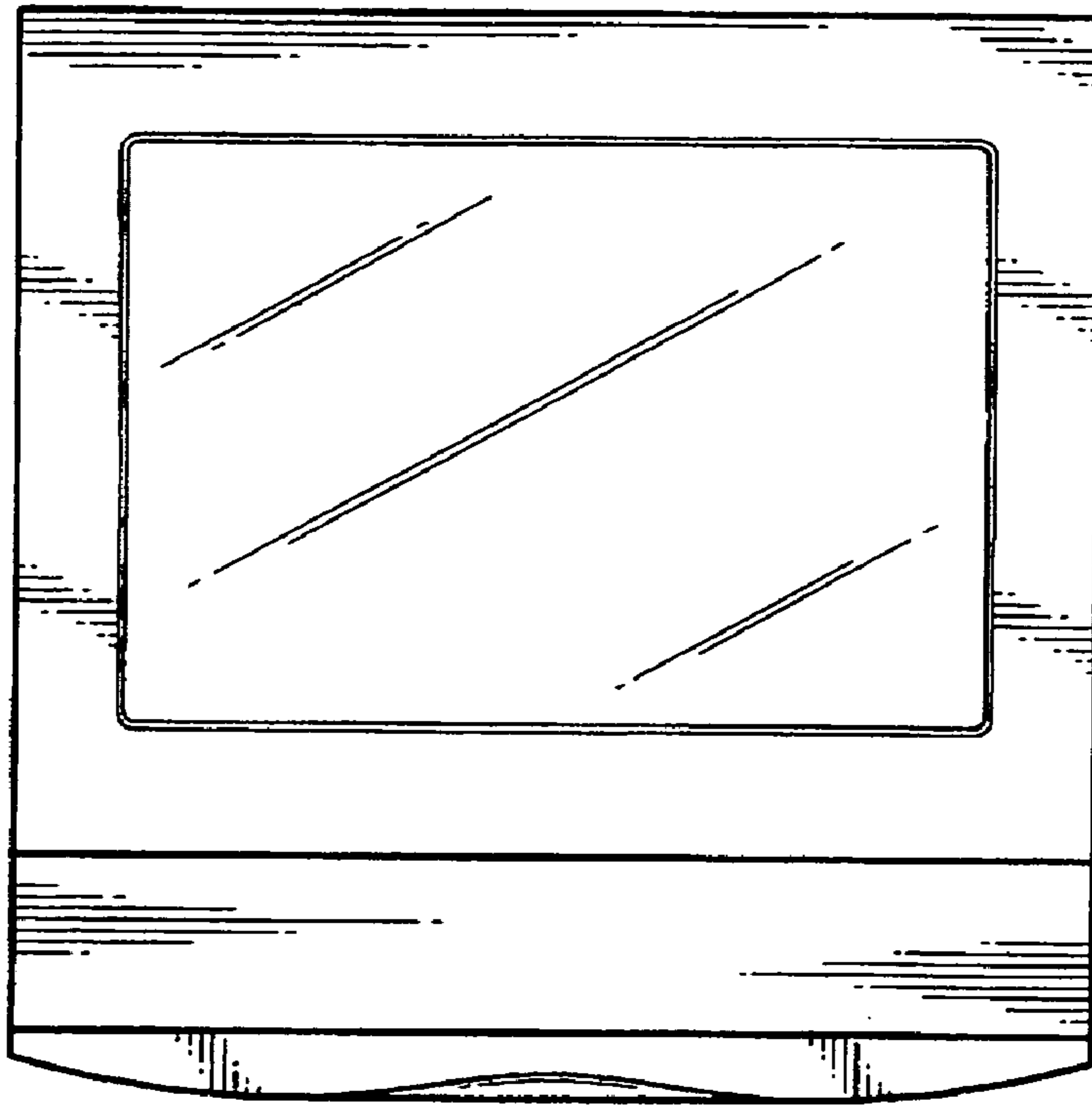


FIG. 2

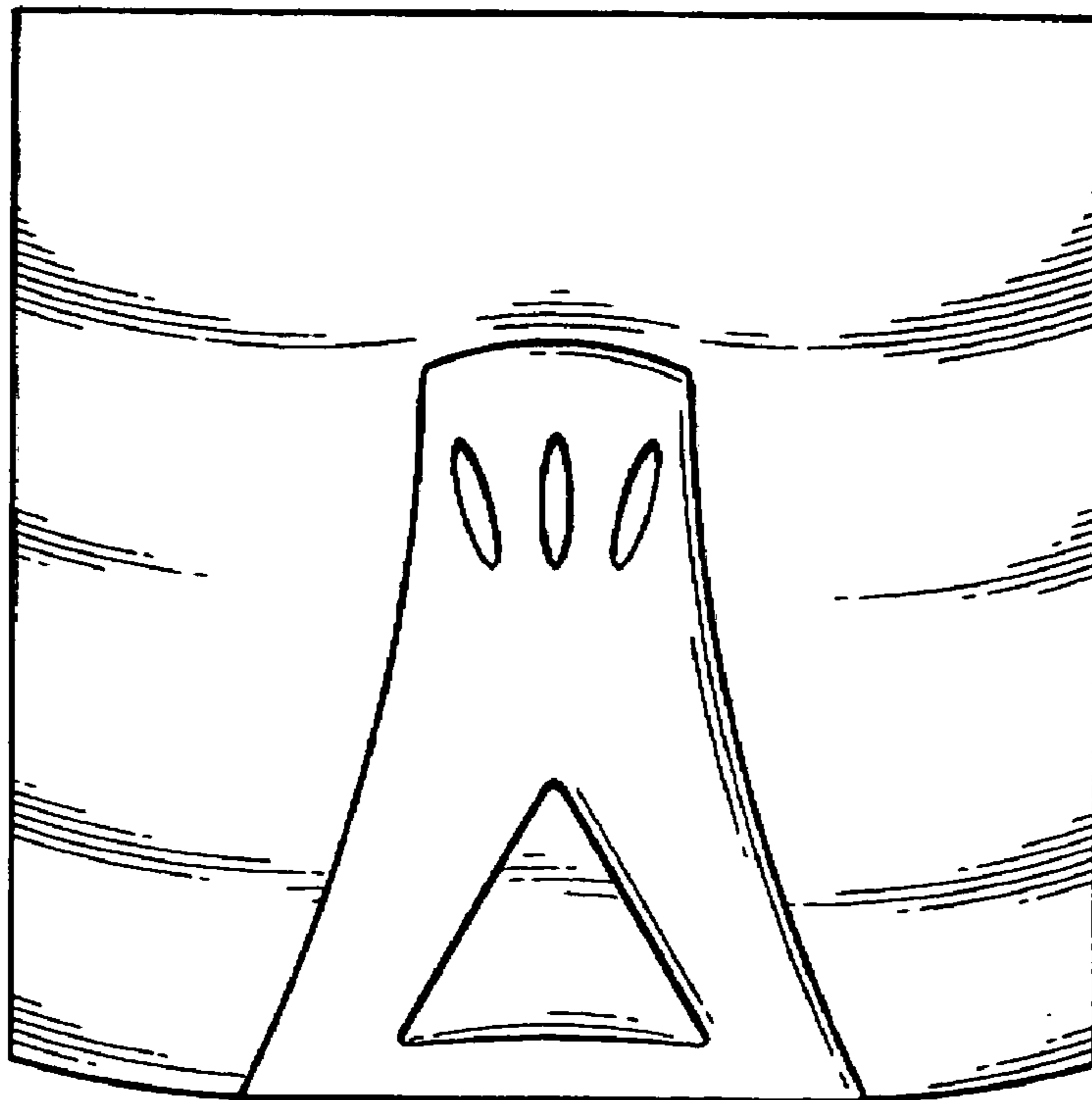


FIG. 3

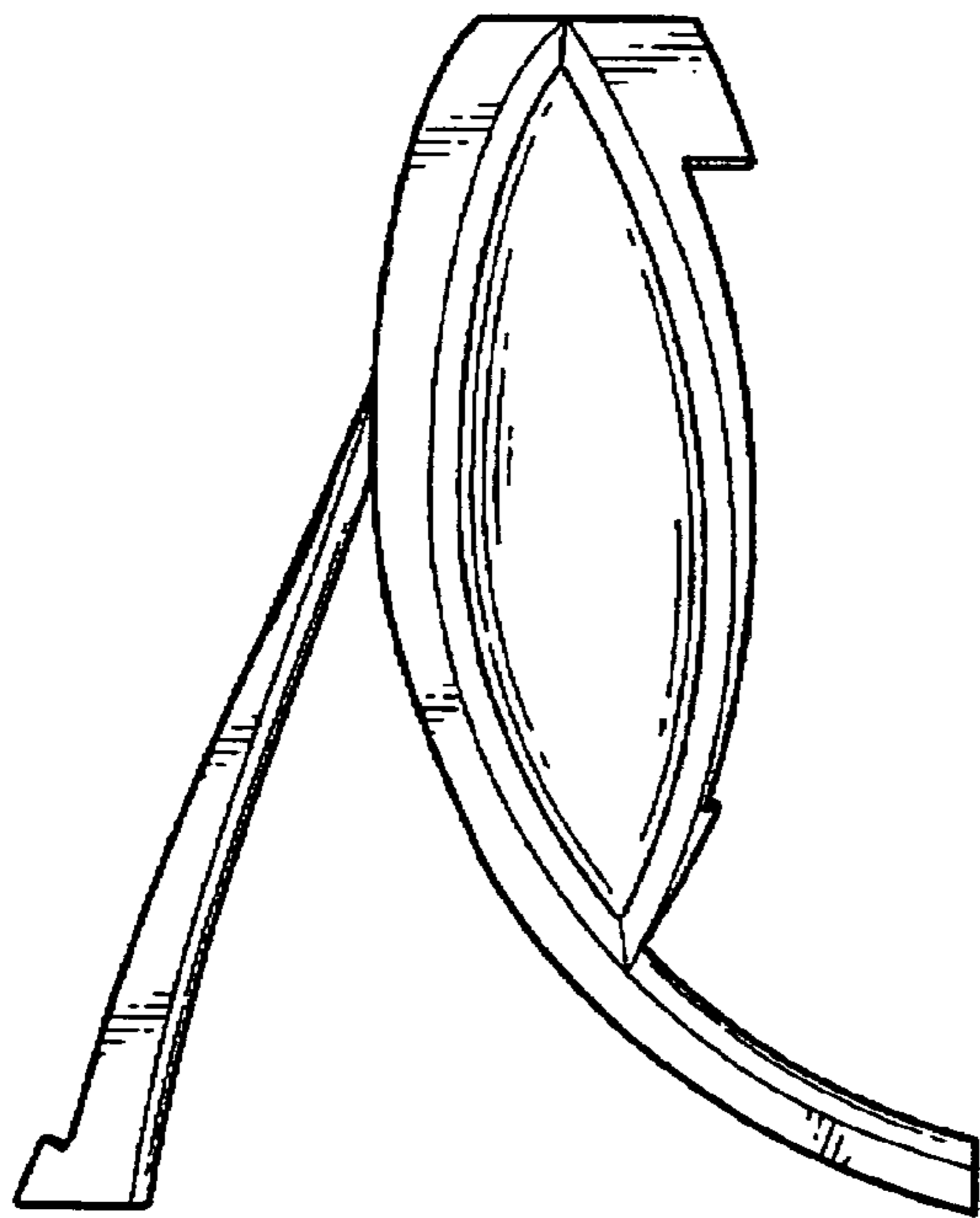


FIG. 4

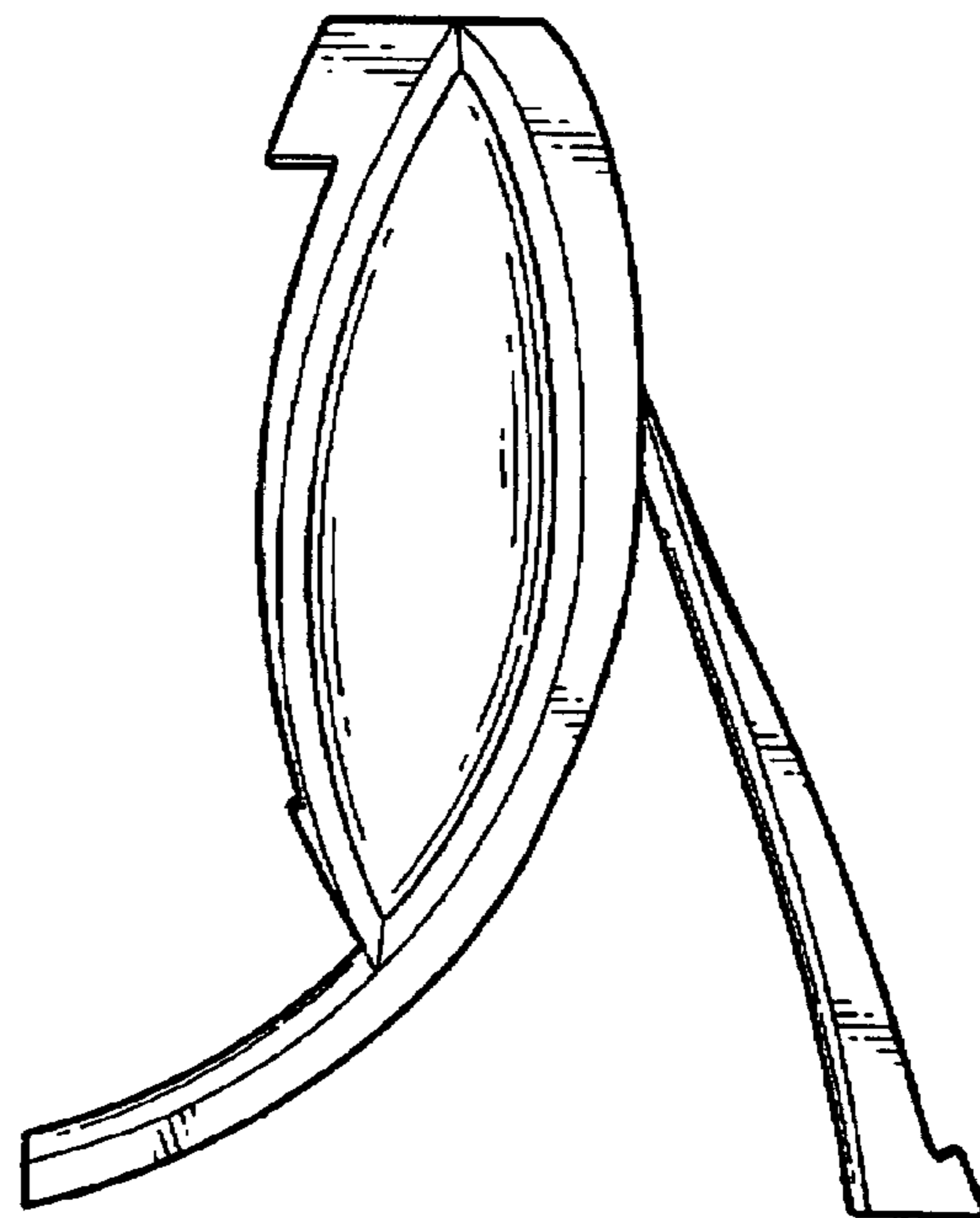


FIG. 5

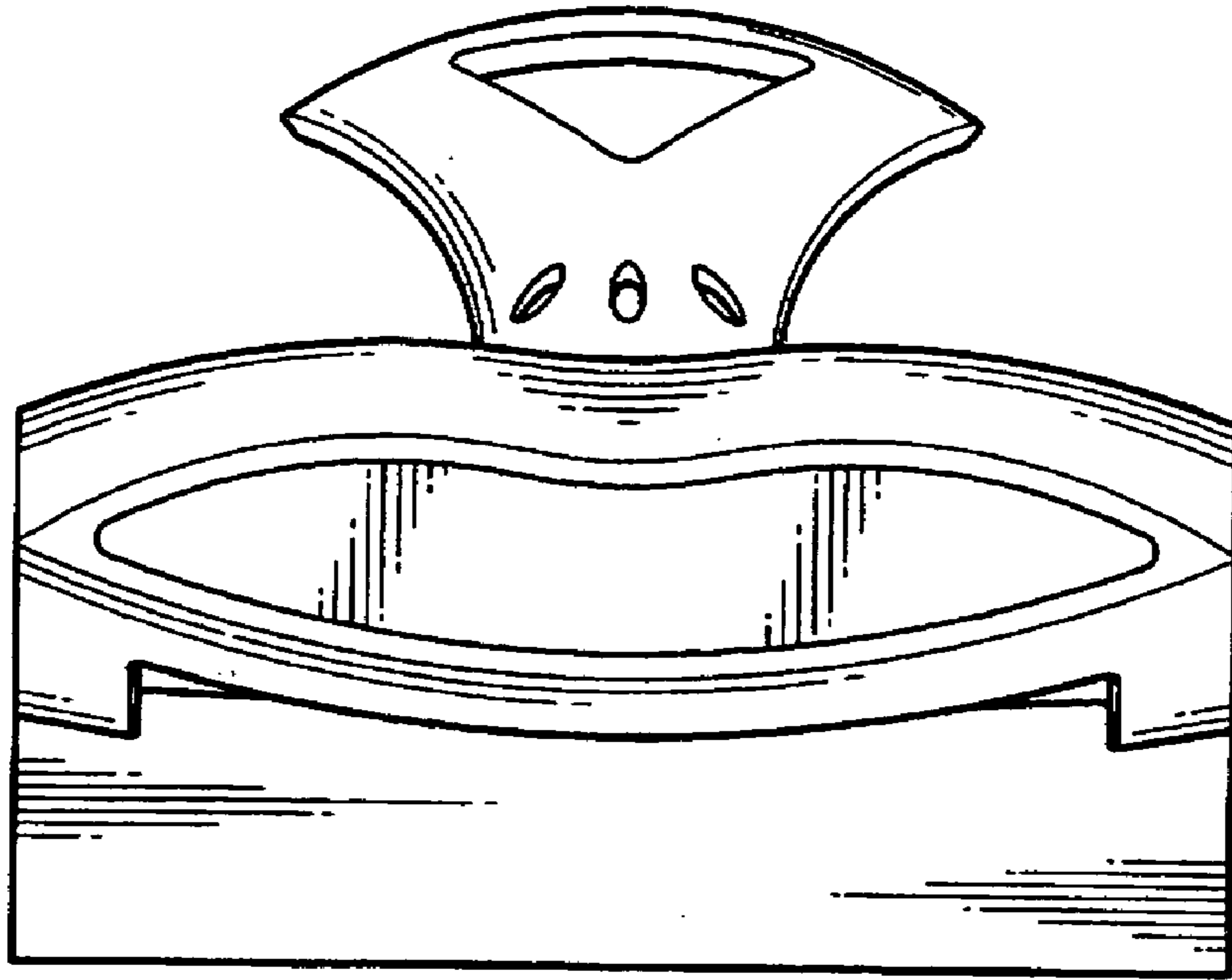


FIG. 6

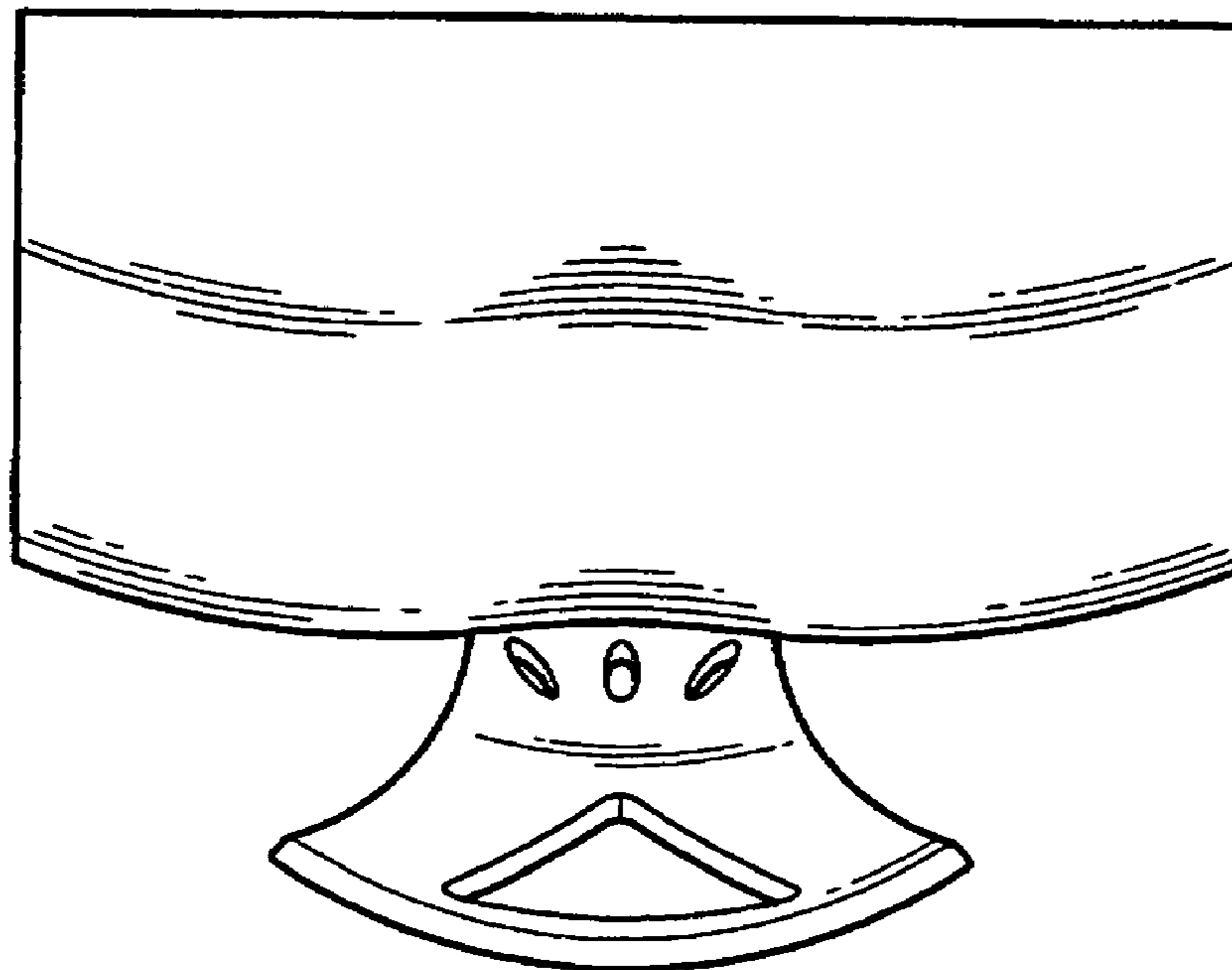


FIG. 7

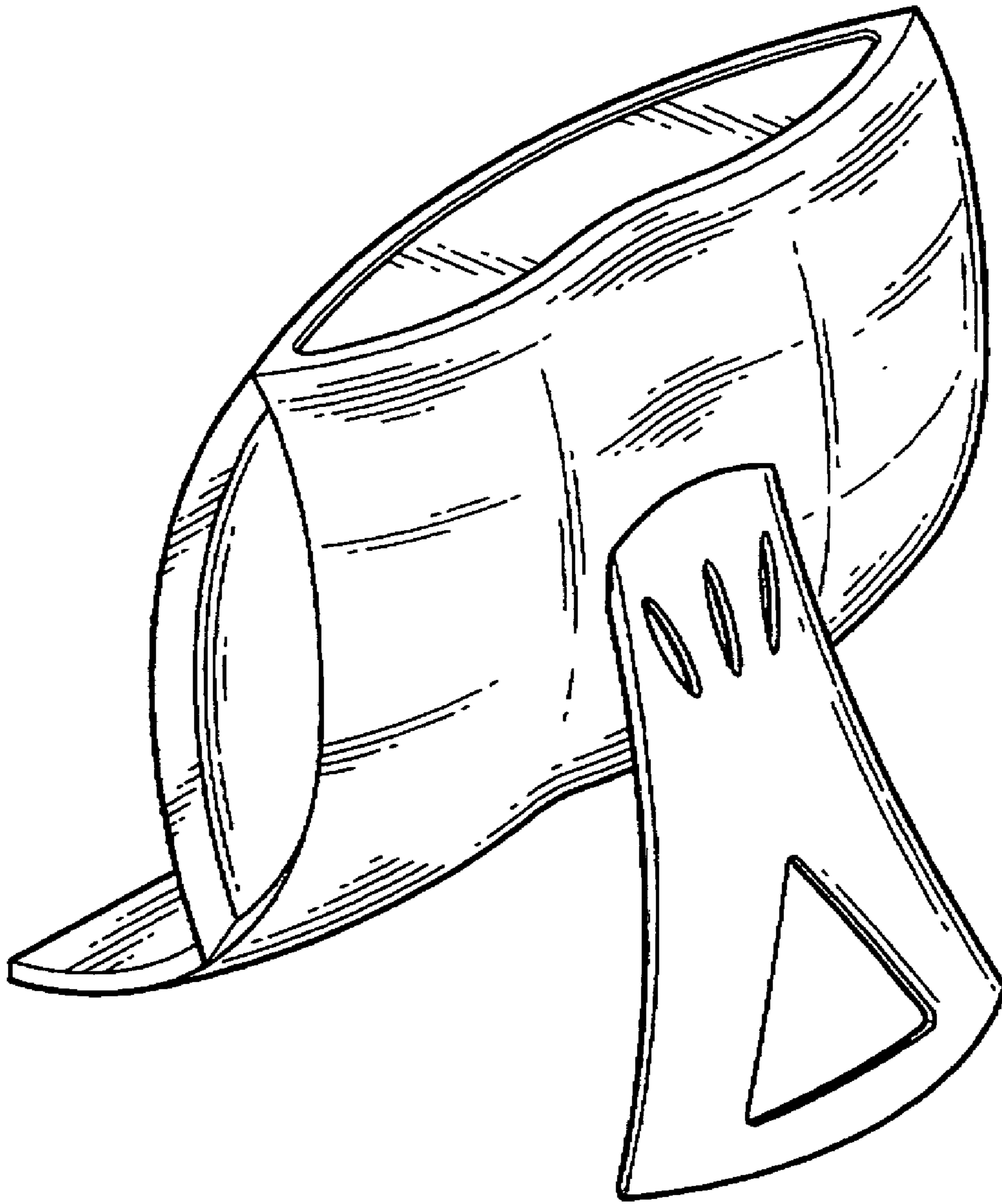


FIG. 8