

US00D543961S

(12) **United States Design Patent**  
**Chu**

(10) **Patent No.:** **US D543,961 S**

(45) **Date of Patent:** **\*\* Jun. 5, 2007**

(54) **TELEVISION SET**

(75) Inventor: **Yu-Ting Chu**, Taipei (TW)

(73) Assignee: **Hannspree, Inc.**, Taipei (TW)

(\*\*) Term: **14 Years**

(21) Appl. No.: **29/265,080**

(22) Filed: **Aug. 25, 2006**

(30) **Foreign Application Priority Data**

Jun. 6, 2006 (TW) ..... 95303124

(51) **LOC (8) Cl.** ..... **14-03**

(52) **U.S. Cl.** ..... **D14/126**

(58) **Field of Classification Search** ..... D14/125-134,  
D14/239, 371, 136, 374-377; 312/7.2; 348/836,  
348/838, 180, 184, 325, 739; 341/12; 248/917-924,  
248/465; 345/104, 133, 156, 168, 87, 173;  
720/605, 669, 600, 655; 369/99, 197; 455/344-347  
See application file for complete search history.

(56) **References Cited**

**U.S. PATENT DOCUMENTS**

D392,628 S \* 3/1998 Hayashi ..... D14/374  
D422,978 S \* 4/2000 Hirota ..... D14/448  
D439,900 S \* 4/2001 Baek ..... D14/374  
D467,232 S \* 12/2002 Bong et al. .... D14/126

D479,209 S \* 9/2003 Teng et al. .... D14/126  
D494,149 S \* 8/2004 Shih ..... D14/134  
D502,154 S \* 2/2005 Peng ..... D14/126  
D510,328 S \* 10/2005 Shih et al. .... D14/126  
D512,387 S \* 12/2005 Kita ..... D14/126  
D524,772 S \* 7/2006 Reza ..... D14/126

\* cited by examiner

*Primary Examiner*—Raphael Barkai

(74) *Attorney, Agent, or Firm*—Birch, Stewart, Kolasch & Birch, LLP

(57) **CLAIM**

The ornamental design for a television set, as shown and described.

**DESCRIPTION**

FIG. 1 is a front perspective view of a television set showing my new design;

FIG. 2 is a front elevational view thereof

FIG. 3 is a rear elevational view thereof;

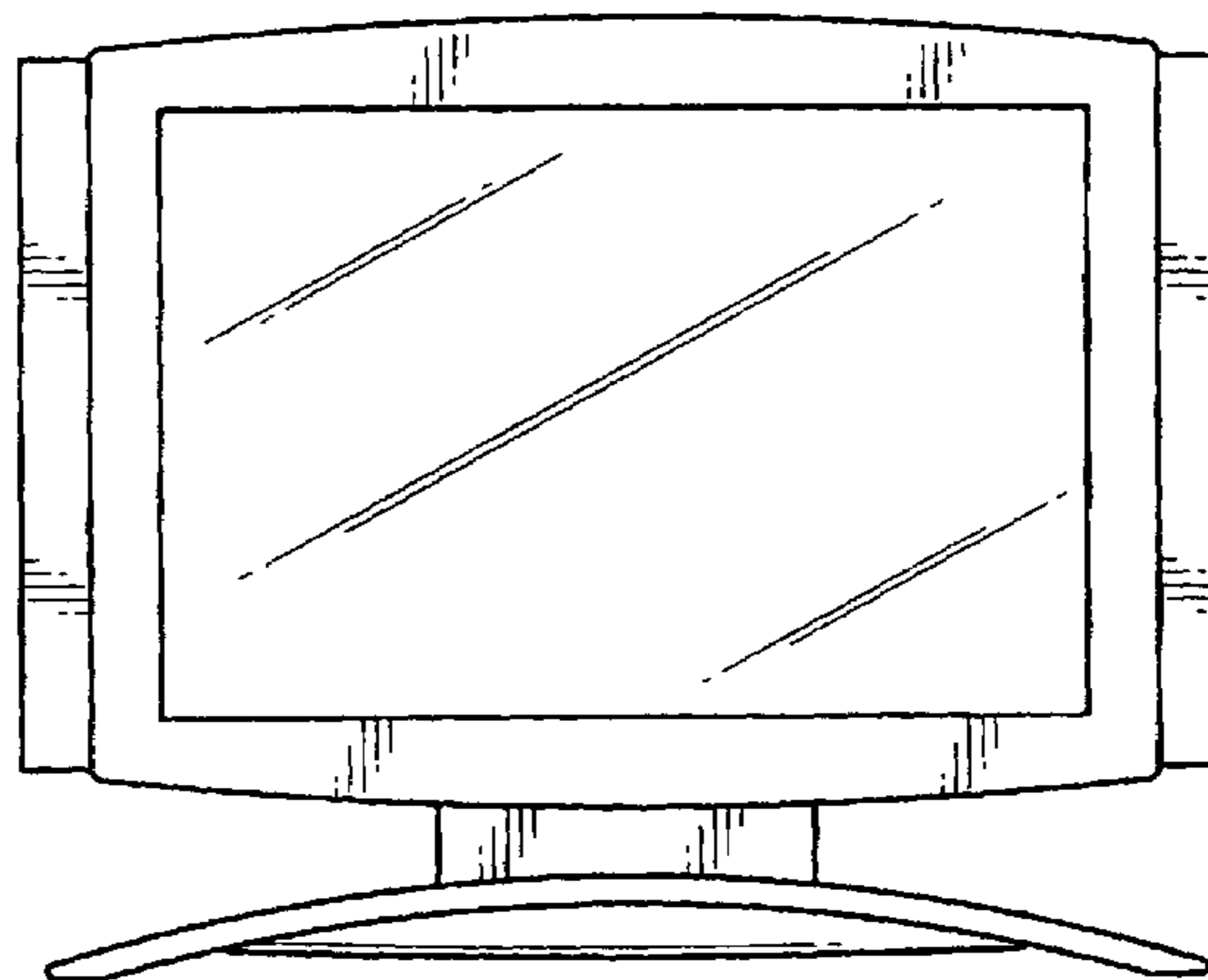
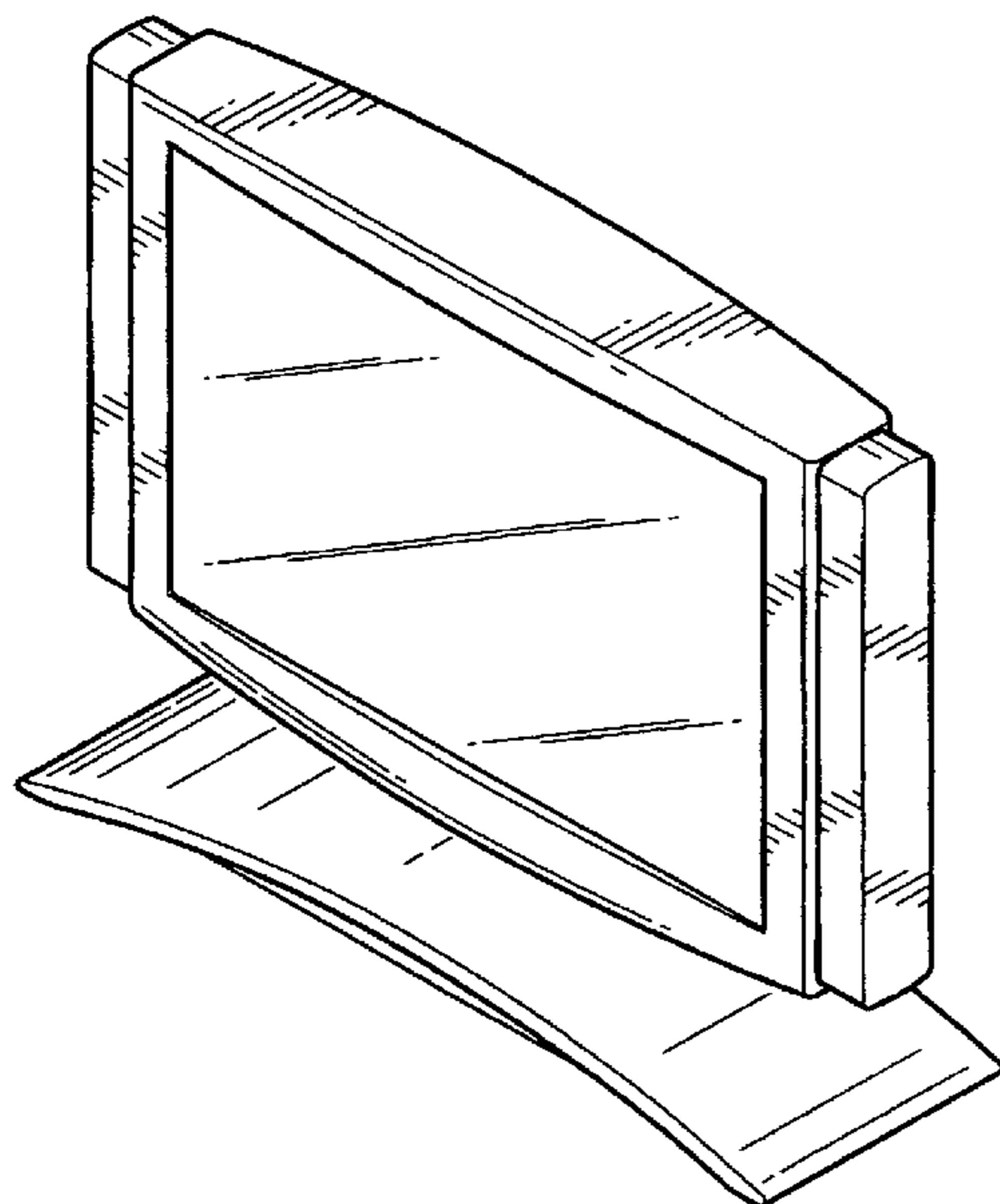
FIG. 4 is a left side elevational view thereof;

FIG. 5 is a right side elevational view thereof;

FIG. 6 is a top plan view thereof; and,

FIG. 7 is a bottom plan view thereof.

**1 Claim, 4 Drawing Sheets**



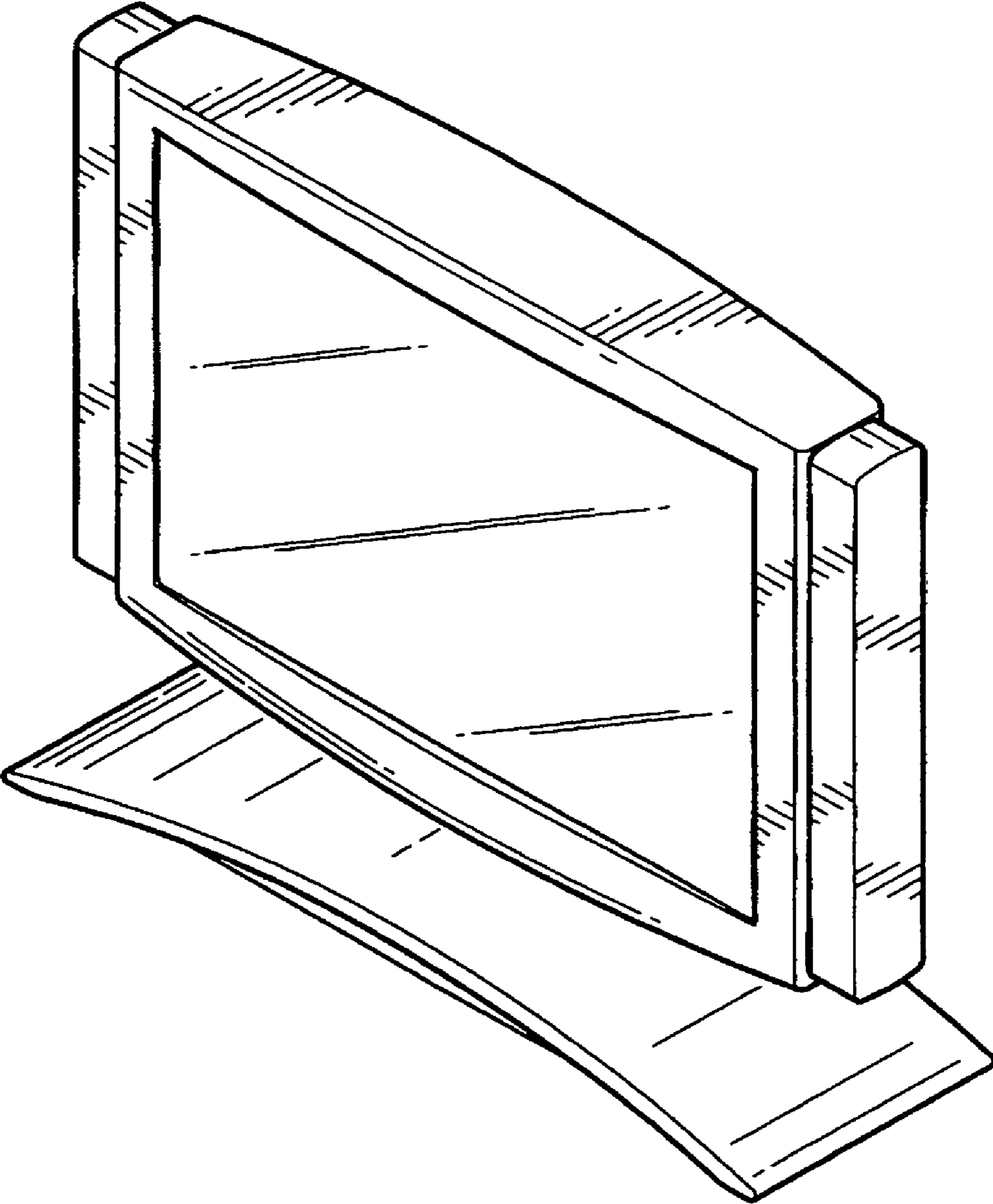


FIG. 1

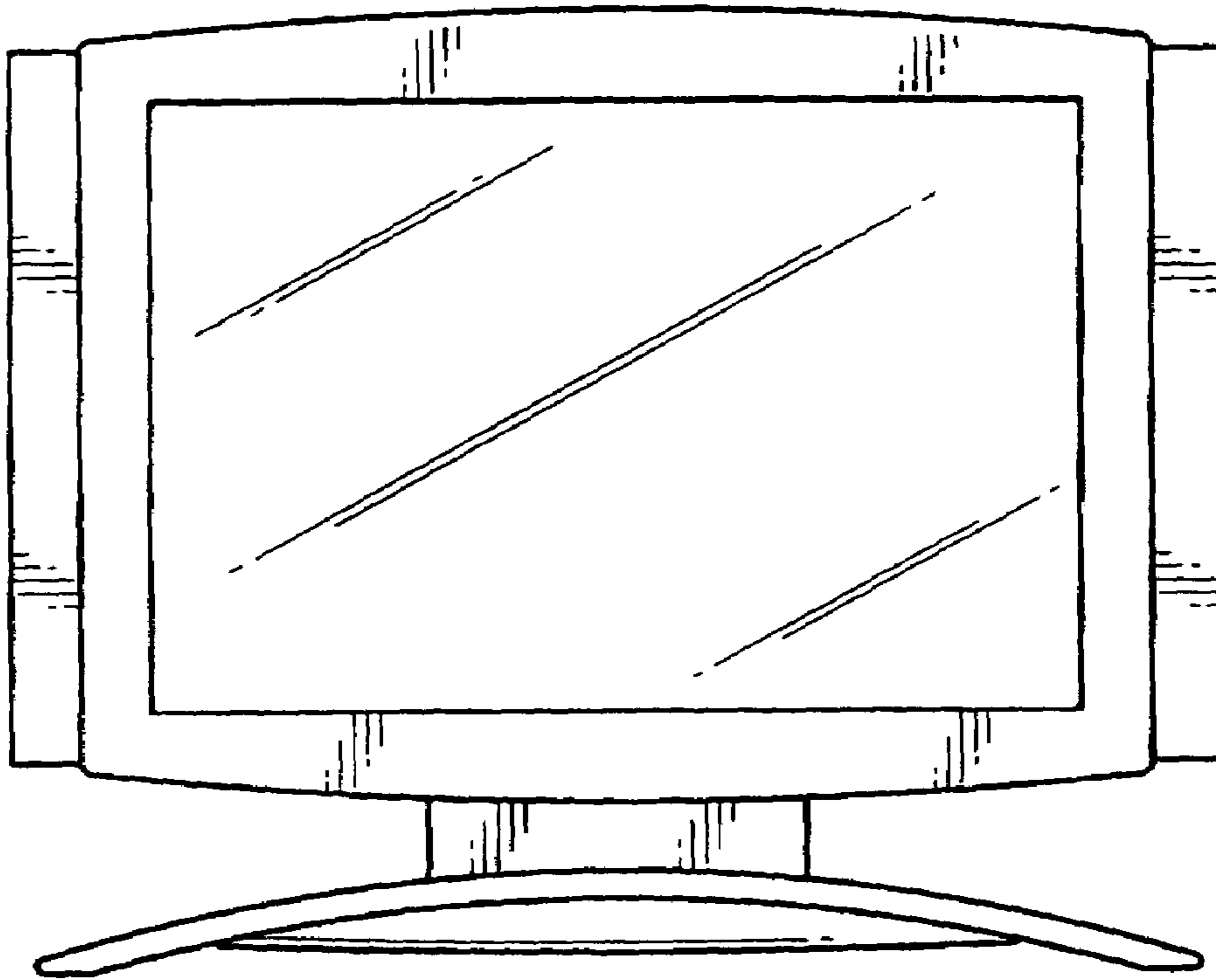


FIG. 2

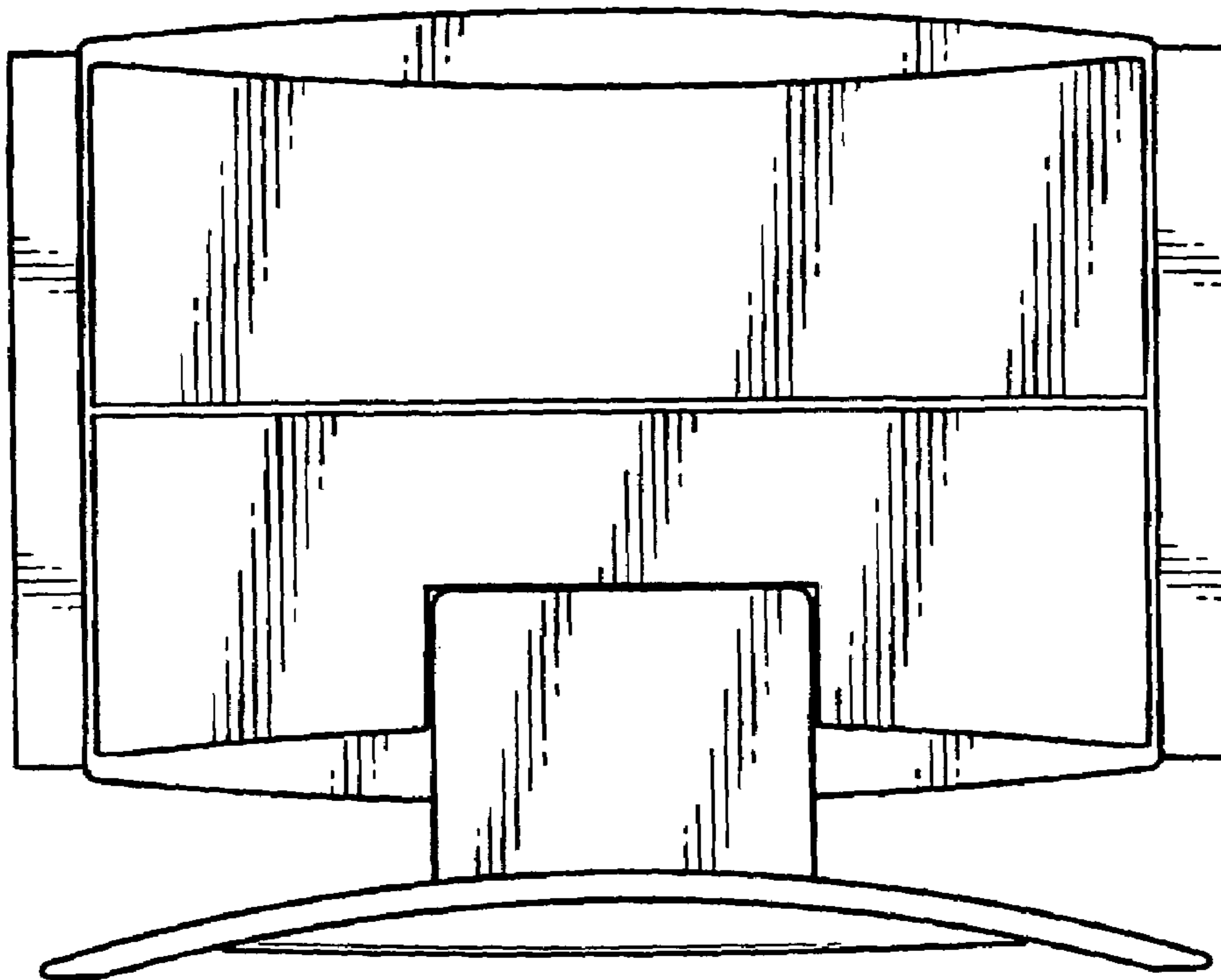


FIG. 3

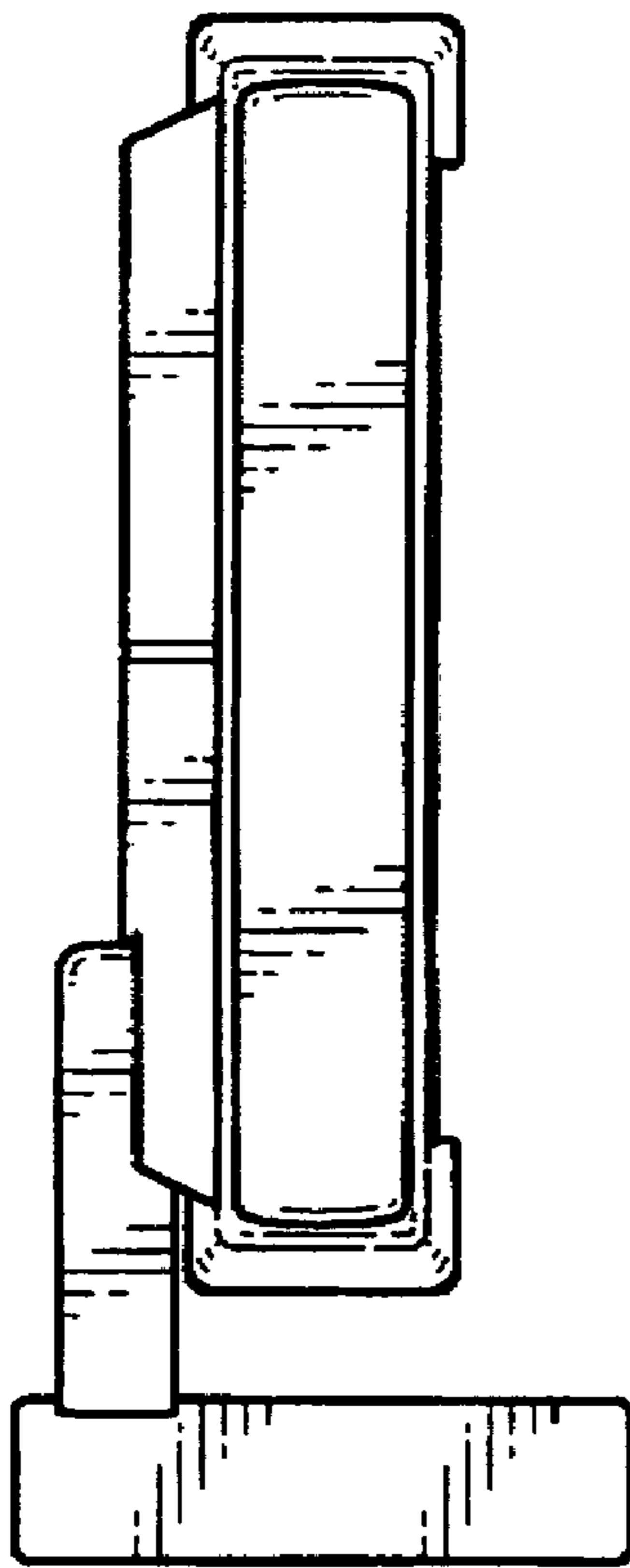


FIG. 4

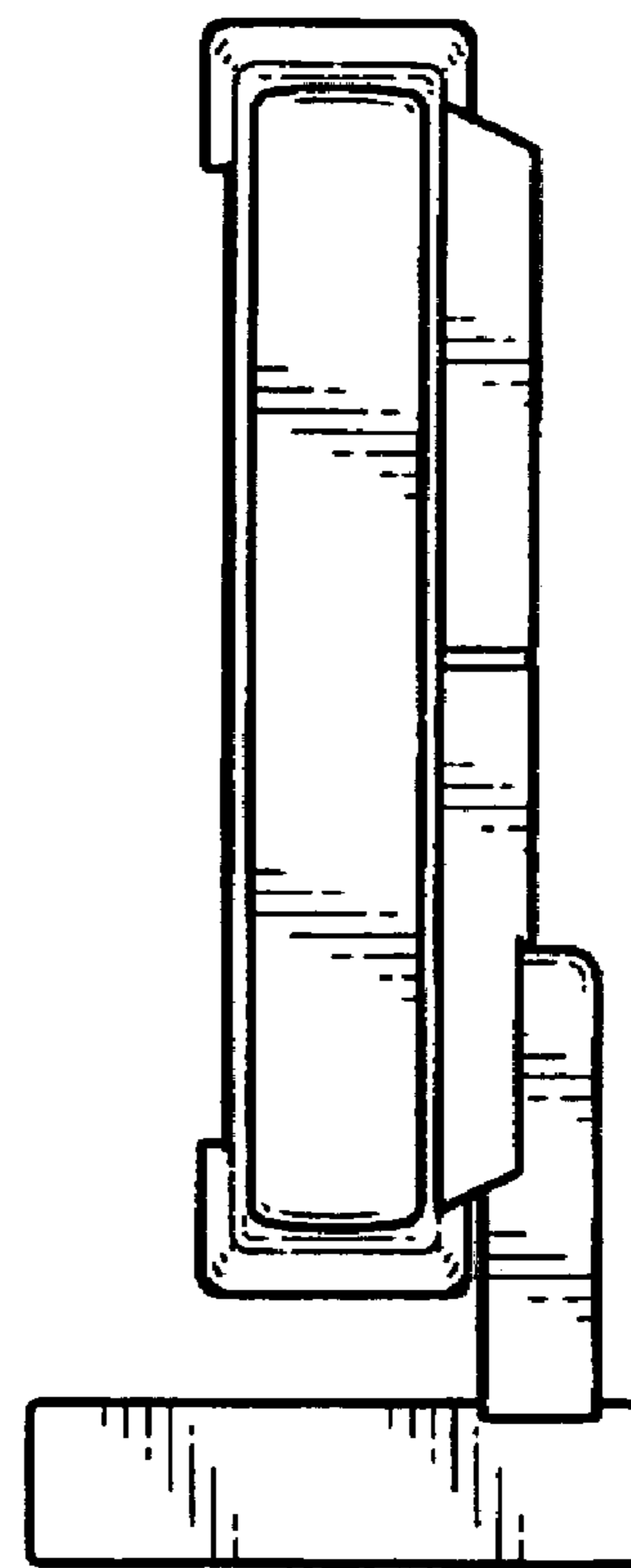


FIG. 5

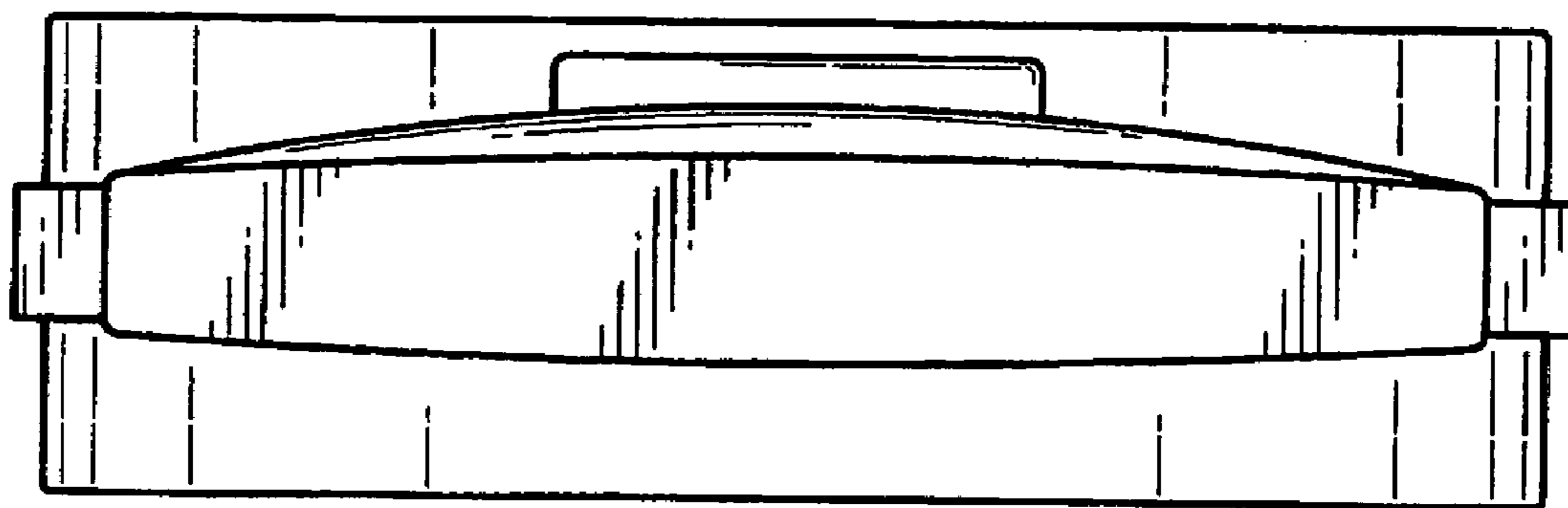


FIG. 6

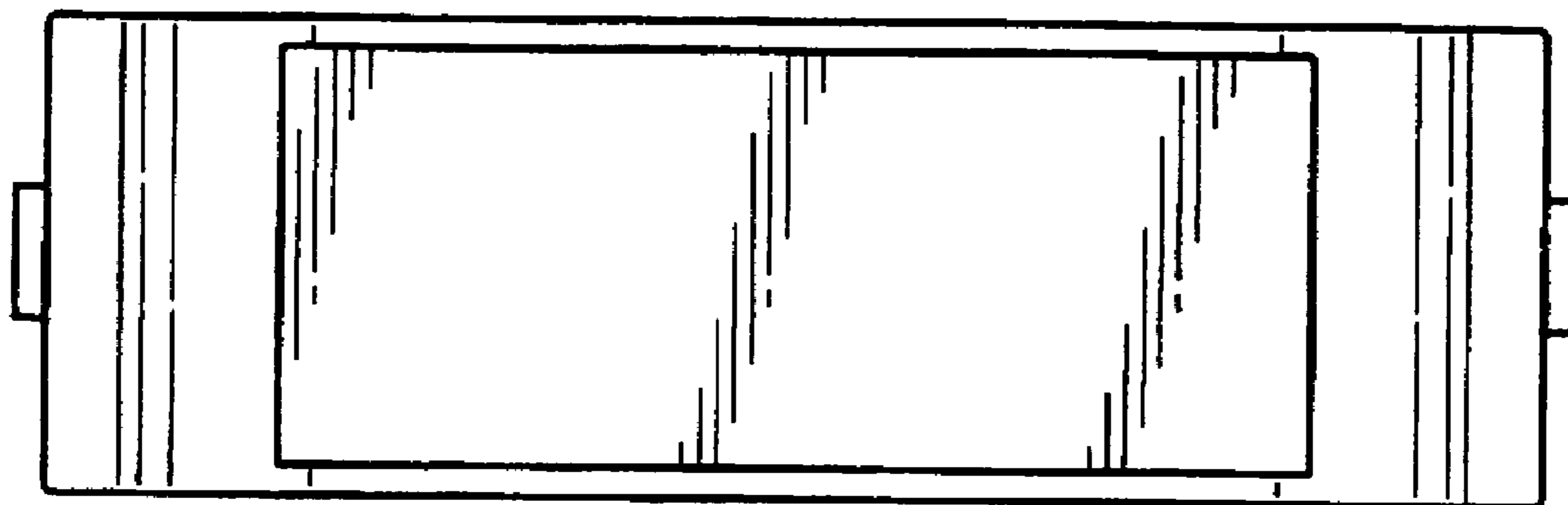


FIG. 7