

US00D543959S

(12) **United States Design Patent**
Hussaini et al.

(10) **Patent No.:** **US D543,959 S**

(45) **Date of Patent:** **** Jun. 5, 2007**

(54) **AUDIO/VIDEO ACCESSORY FOR ELECTRONIC DEVICE**

D526,976 S * 8/2006 Voege D14/126
D533,852 S * 12/2006 Ma D14/126

(75) Inventors: **Saied Hussaini**, Miami, FL (US); **Marc Iacovelli**, Miami, FL (US)

* cited by examiner

Primary Examiner—Philip S. Hyder

(73) Assignee: **Intec, Inc.**, Miami, FL (US)

(74) *Attorney, Agent, or Firm*—Berenato, White & Stavish

(**) Term: **14 Years**

(57) **CLAIM**

(21) Appl. No.: **29/243,987**

The ornamental design for an audio/video accessory for electronic device, as shown and described.

(22) Filed: **Dec. 5, 2005**

DESCRIPTION

(51) **LOC (8) Cl.** **14-03**

(52) **U.S. Cl.** **D14/126**

(58) **Field of Classification Search** D14/125,
D14/126, 127, 128, 129, 133, 374, 375, 376;
348/836, 838, 180, 184, 325, 739; 248/917–924;
345/104, 133, 156, 168, 87, 173; 314/12;
349/1, 2, 11

See application file for complete search history.

FIG. 1 is a perspective view of the audio/video accessory for electronic device according to the present invention.

FIG. 2 is a front view of the audio/video accessory for electronic device of FIG. 1.

FIG. 3 is a rear view of the audio/video accessory for electronic device of FIG. 1.

FIG. 4 is a right side view of the audio/video accessory for electronic device of FIG. 1.

FIG. 5 is a left side view of the audio/video accessory for electronic device of FIG. 1.

FIG. 6 is a top view of the audio/video accessory for electronic device of FIG. 1; and,

FIG. 7 is a bottom view of the audio/video accessory for electronic device of FIG. 1.

(56) **References Cited**

U.S. PATENT DOCUMENTS

- D357,474 S * 4/1995 Dolgoff D14/128
- D493,430 S * 7/2004 Hussaini et al. D14/126
- D524,774 S * 7/2006 Williams D14/126
- D525,598 S * 7/2006 Reza D14/126
- D525,601 S * 7/2006 Williams D14/126
- D525,954 S * 8/2006 Williams D14/126
- D526,292 S * 8/2006 Reza D14/126

1 Claim, 5 Drawing Sheets

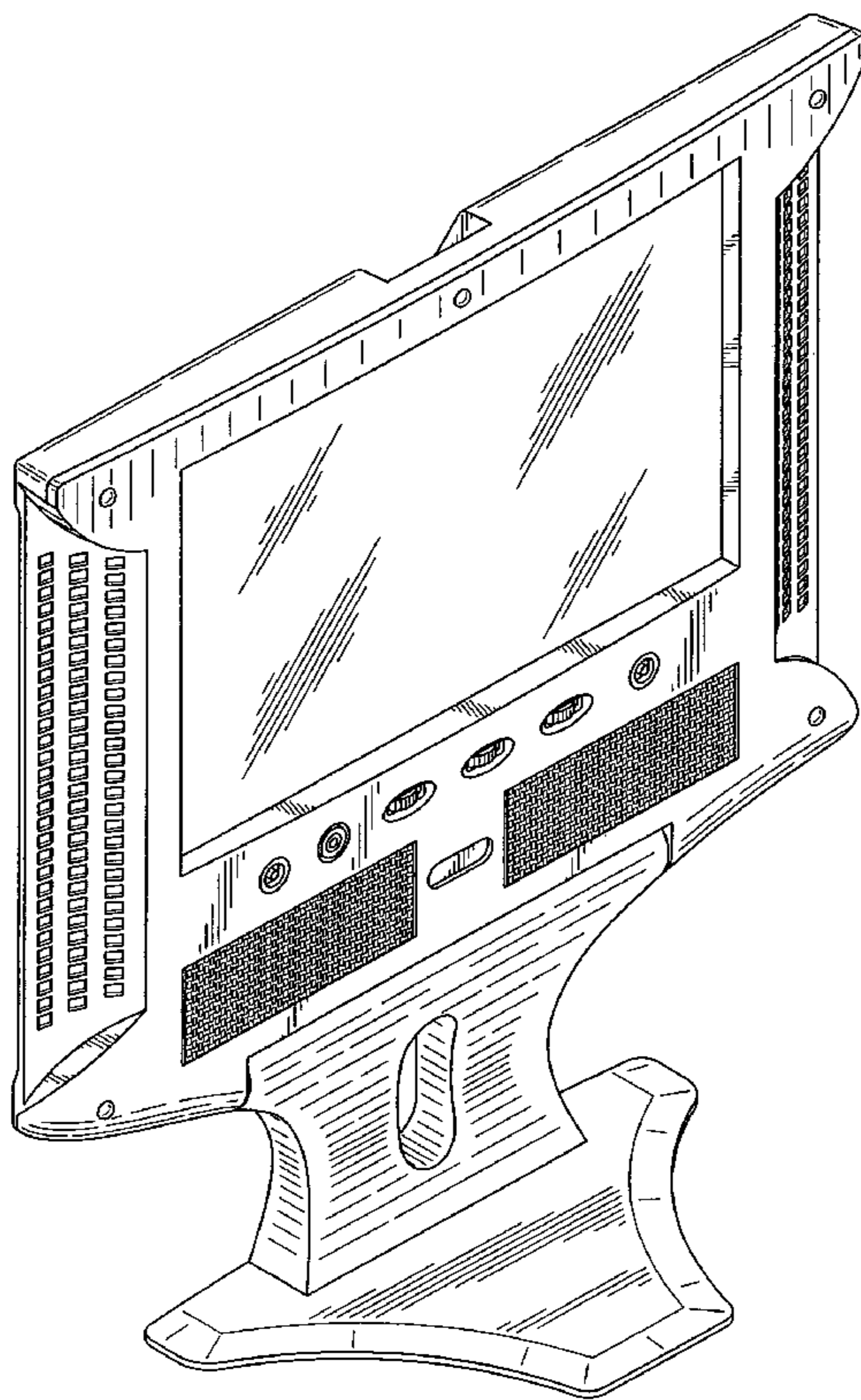


Fig. 1

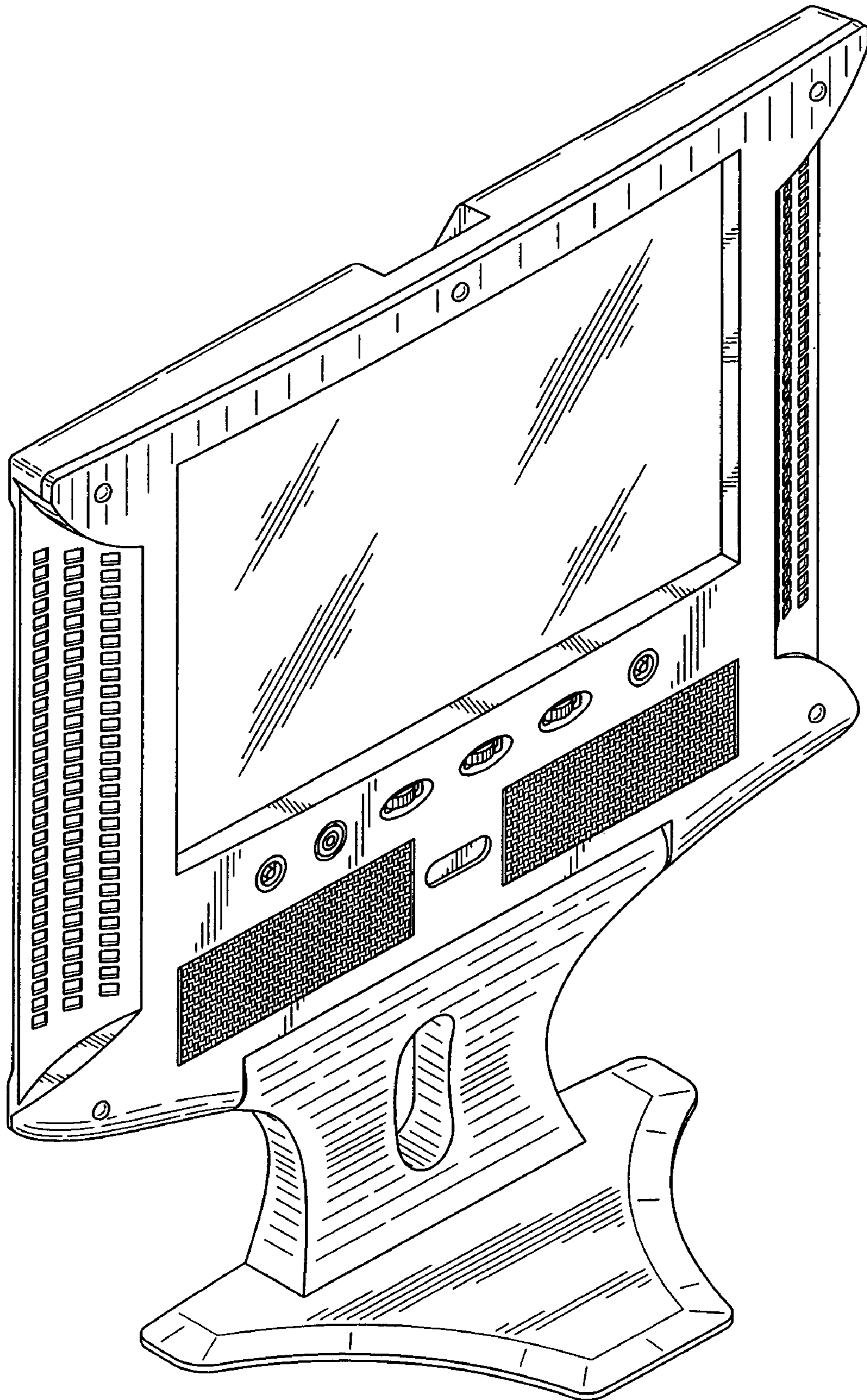


Fig. 2

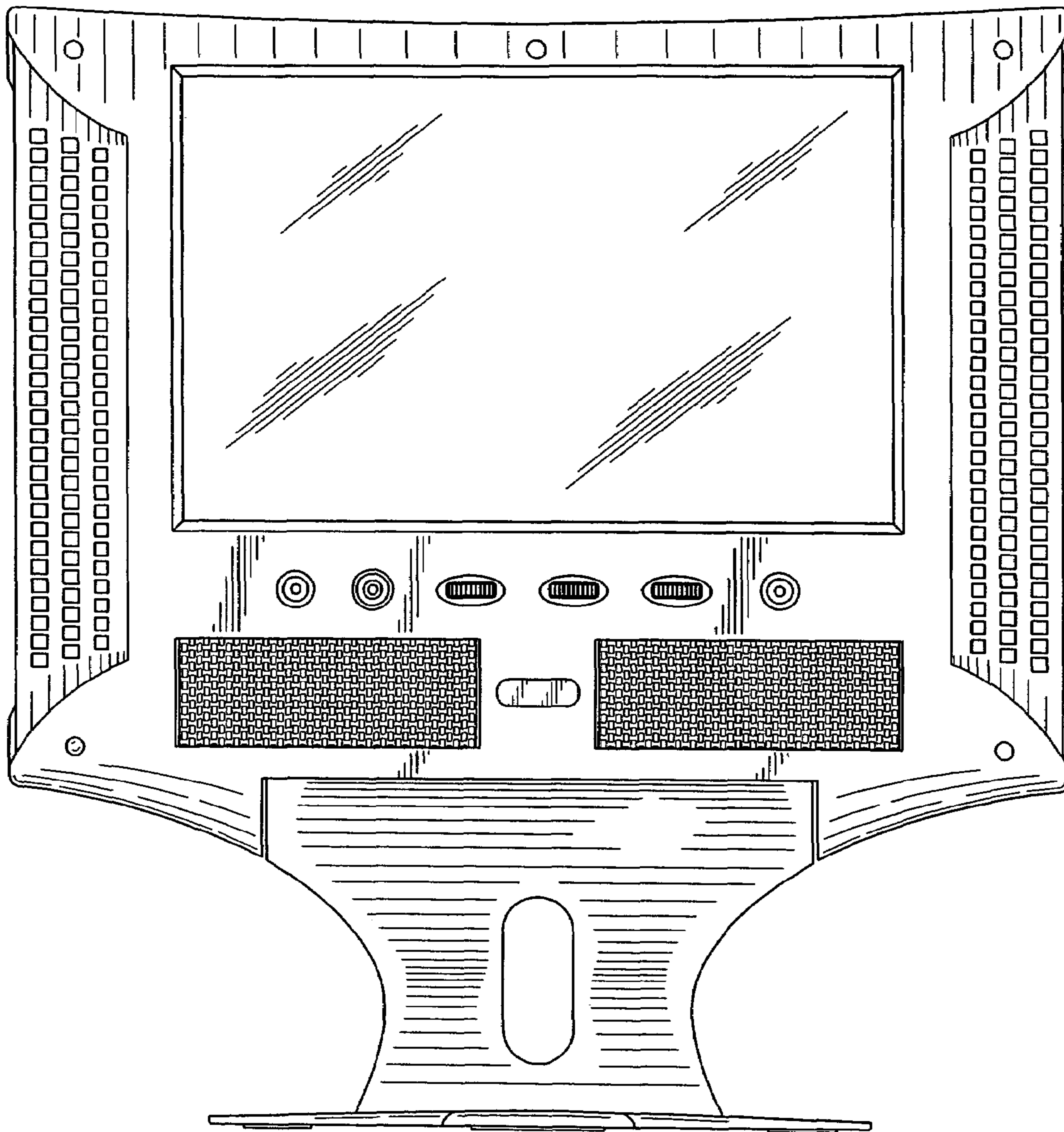


Fig. 3

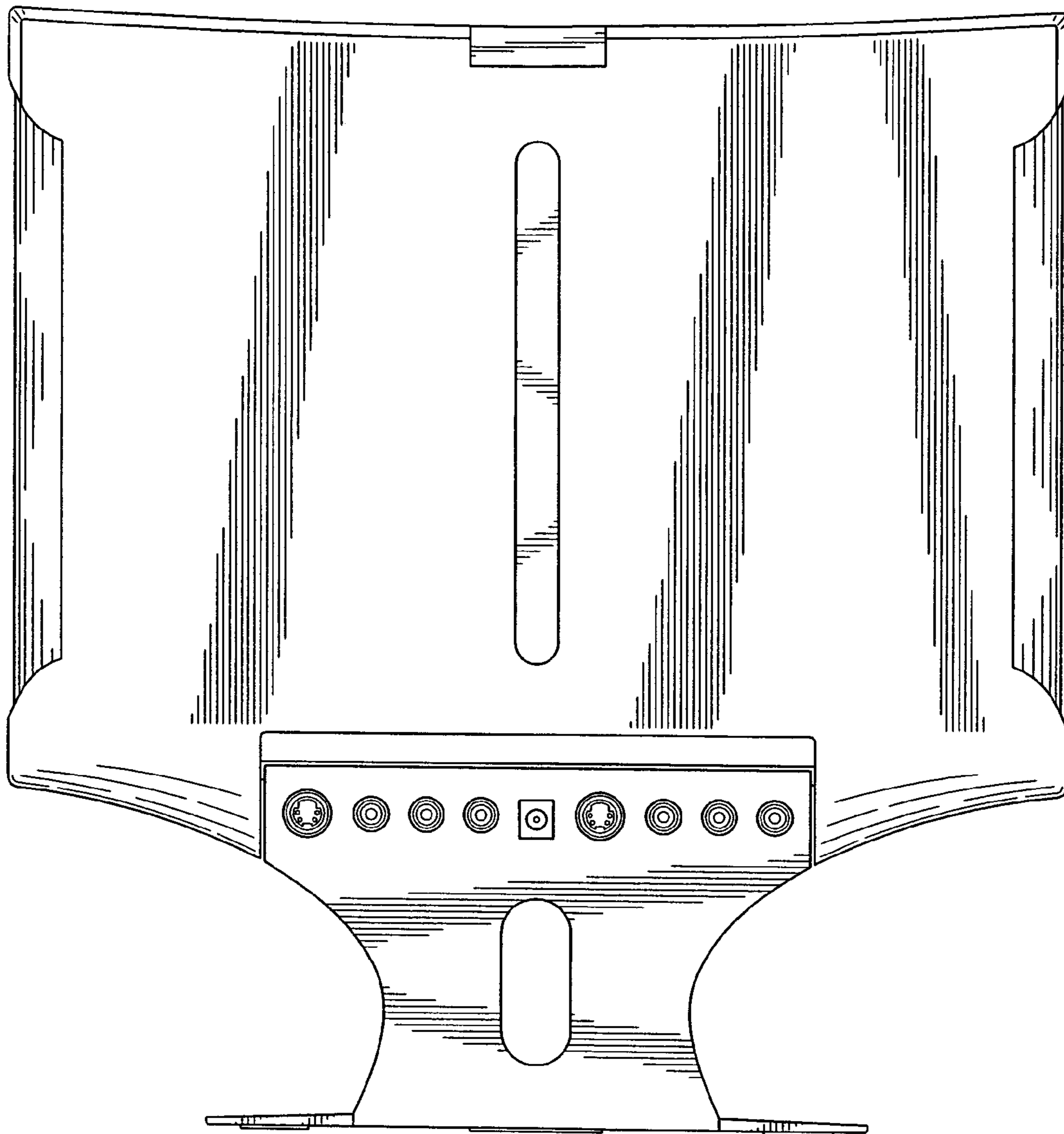


Fig. 4

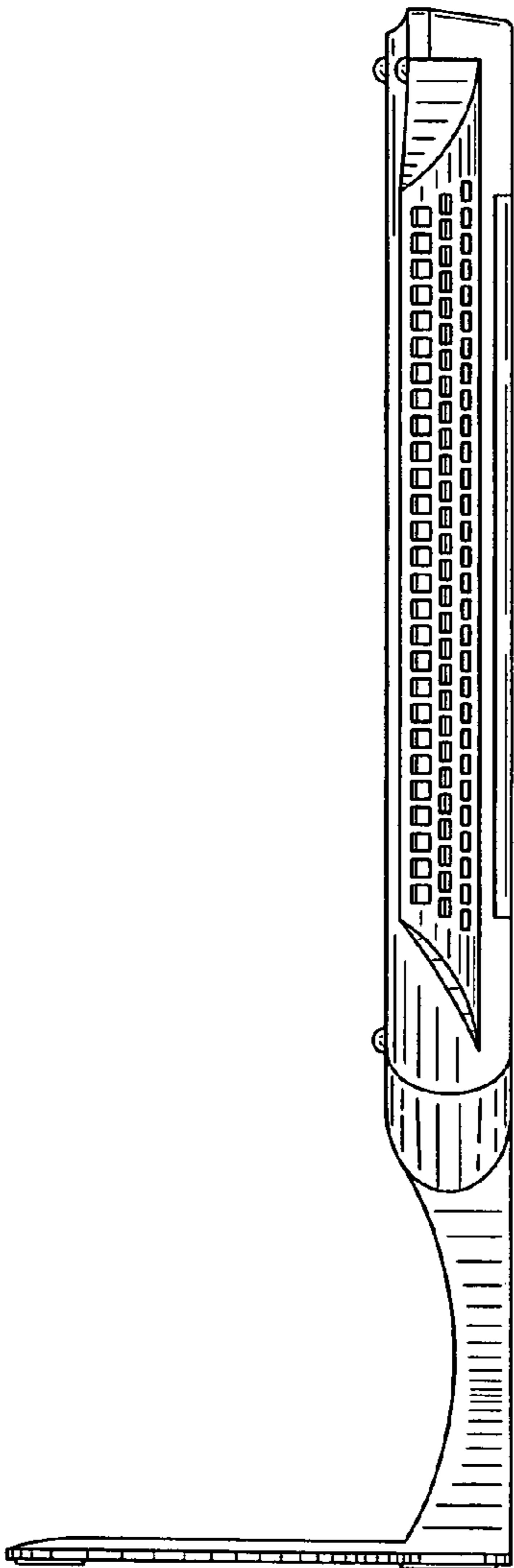


Fig. 5

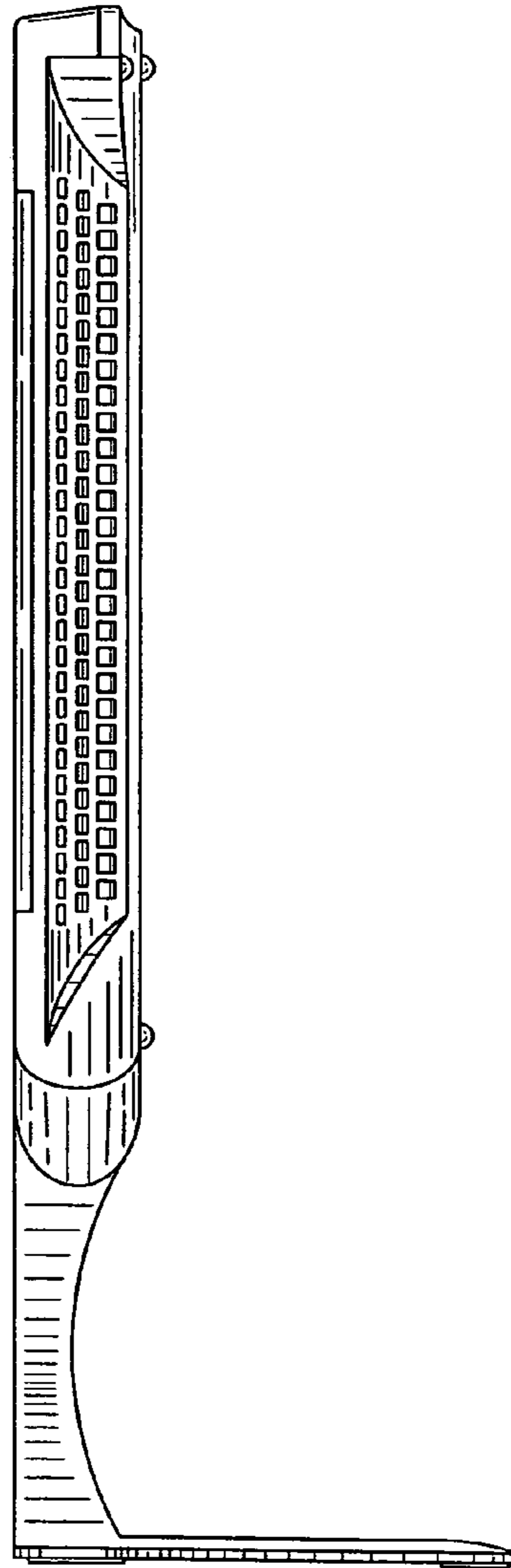


Fig. 6

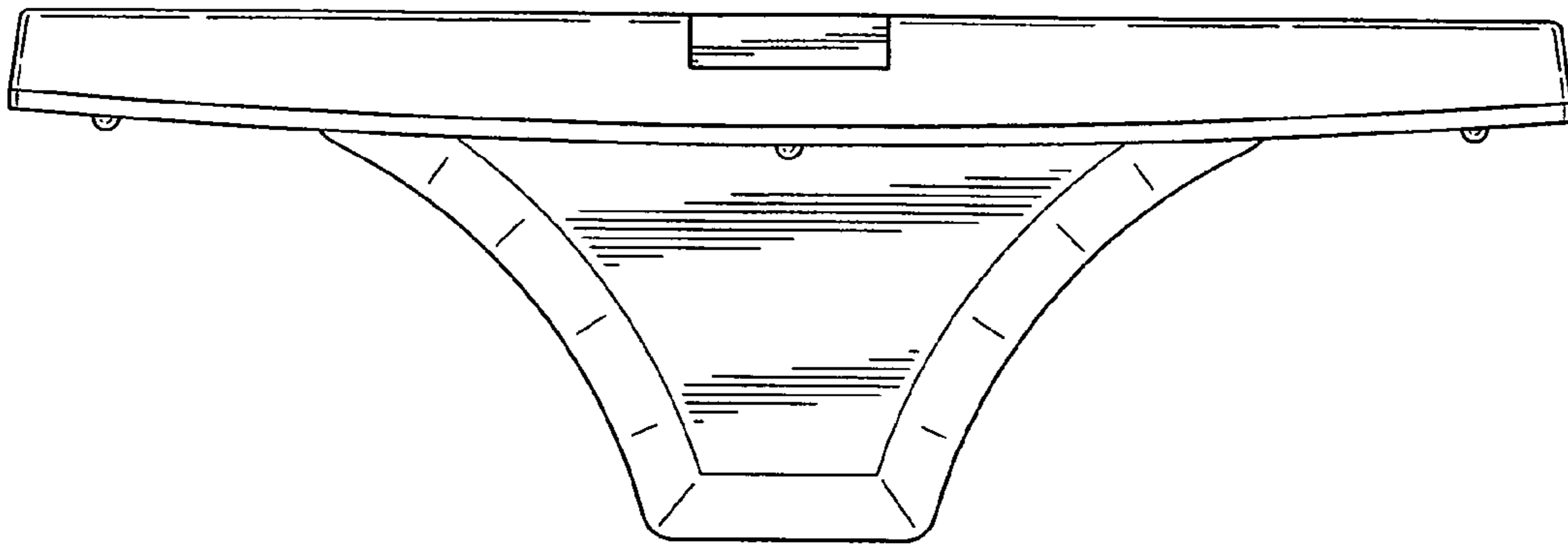


Fig. 7

