

US00D543957S

(12) **United States Design Patent**
Landerholm et al.

(10) **Patent No.:** **US D543,957 S**
(45) **Date of Patent:** **** Jun. 5, 2007**

(54) **CONTROL BOX FOR ACTUATORS**

(75) Inventors: **John Landerholm**, Aarhus (DK); **Peter Lund**, Aarhus (DK)

(73) Assignee: **Linak A/S**, Nordborg (DK)

(**) Term: **14 Years**

(21) Appl. No.: **29/230,353**

(22) Filed: **May 20, 2005**

(30) **Foreign Application Priority Data**

Nov. 23, 2004 (DK) DA 2004 00365

(51) **LOC (8) Cl.** **13-03**

(52) **U.S. Cl.** **D13/184**

(58) **Field of Classification Search** D13/184;
D14/240; 174/50, 58, 66, 67, 65 R; 220/308,
220/4.02; 361/622, 679, 687-696, 724, 728,
361/736, 796

See application file for complete search history.

(56) **References Cited**

U.S. PATENT DOCUMENTS

4,303,296 A * 12/1981 Spaulding 439/189

5,223,780 A * 6/1993 Hu 320/112
D346,386 S * 4/1994 Brownlie et al. D14/240
D371,115 S * 6/1996 Stern D13/164
D401,226 S * 11/1998 Inoko D13/184
D448,733 S * 10/2001 Smith D13/152
D482,008 S * 11/2003 Petronio D13/184

* cited by examiner

Primary Examiner—Selina Sikder

(74) *Attorney, Agent, or Firm*—Dykema Gossett PLLC

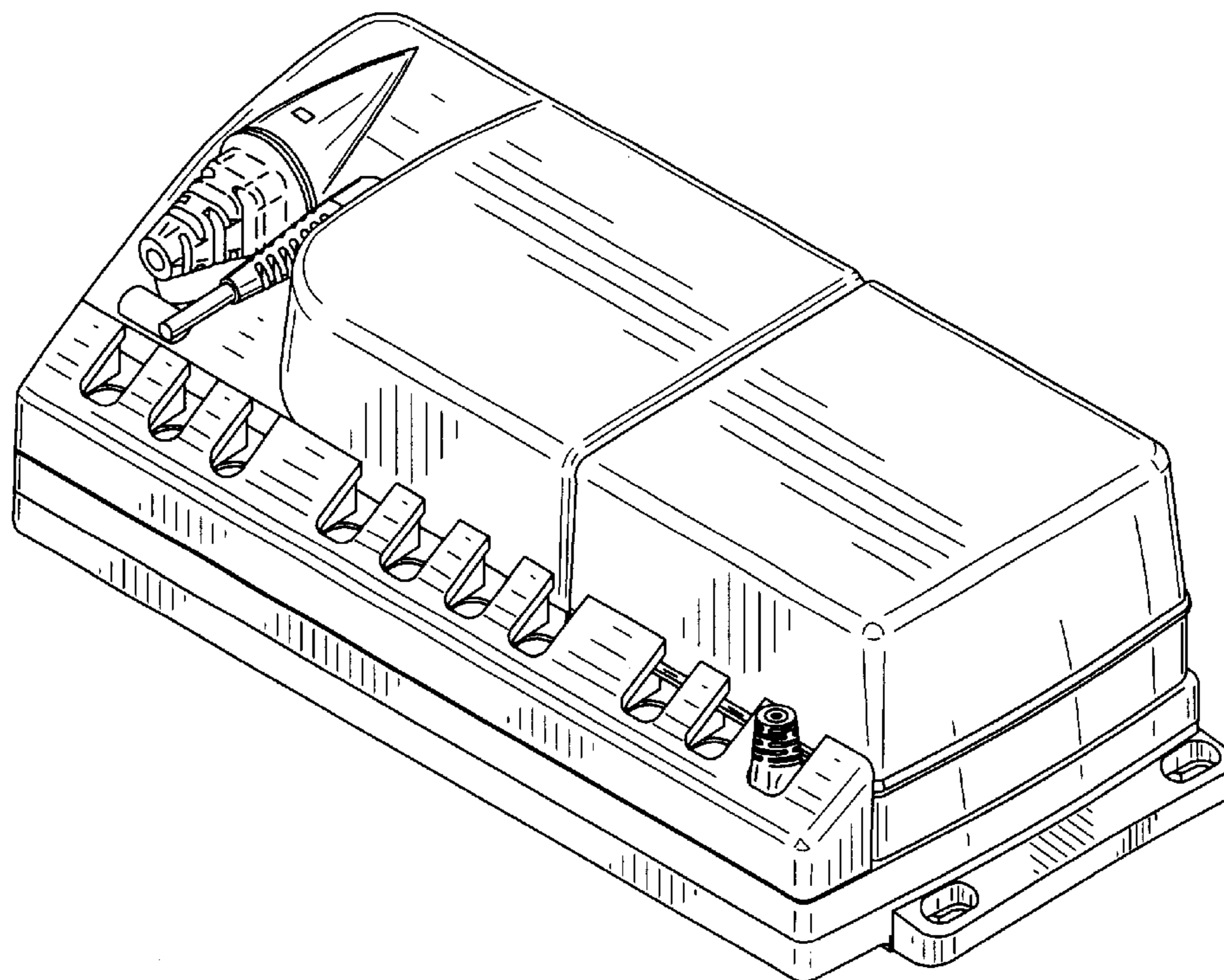
(57) **CLAIM**

The new and ornamental design for a control box for actuators, as shown and described.

DESCRIPTION

FIG. 1 is a perspective top view of a control box for actuators according to our design, FIG. 2 is a perspective bottom view thereof, FIG. 3 is an elevational front view thereof, FIG. 4 is an elevational rear view thereof, FIG. 5 is a top plan view thereof, FIG. 6 is a bottom plan view thereof, FIG. 7 is an elevational left side view thereof; and, FIG. 8 is an elevational right side view thereof.

1 Claim, 3 Drawing Sheets



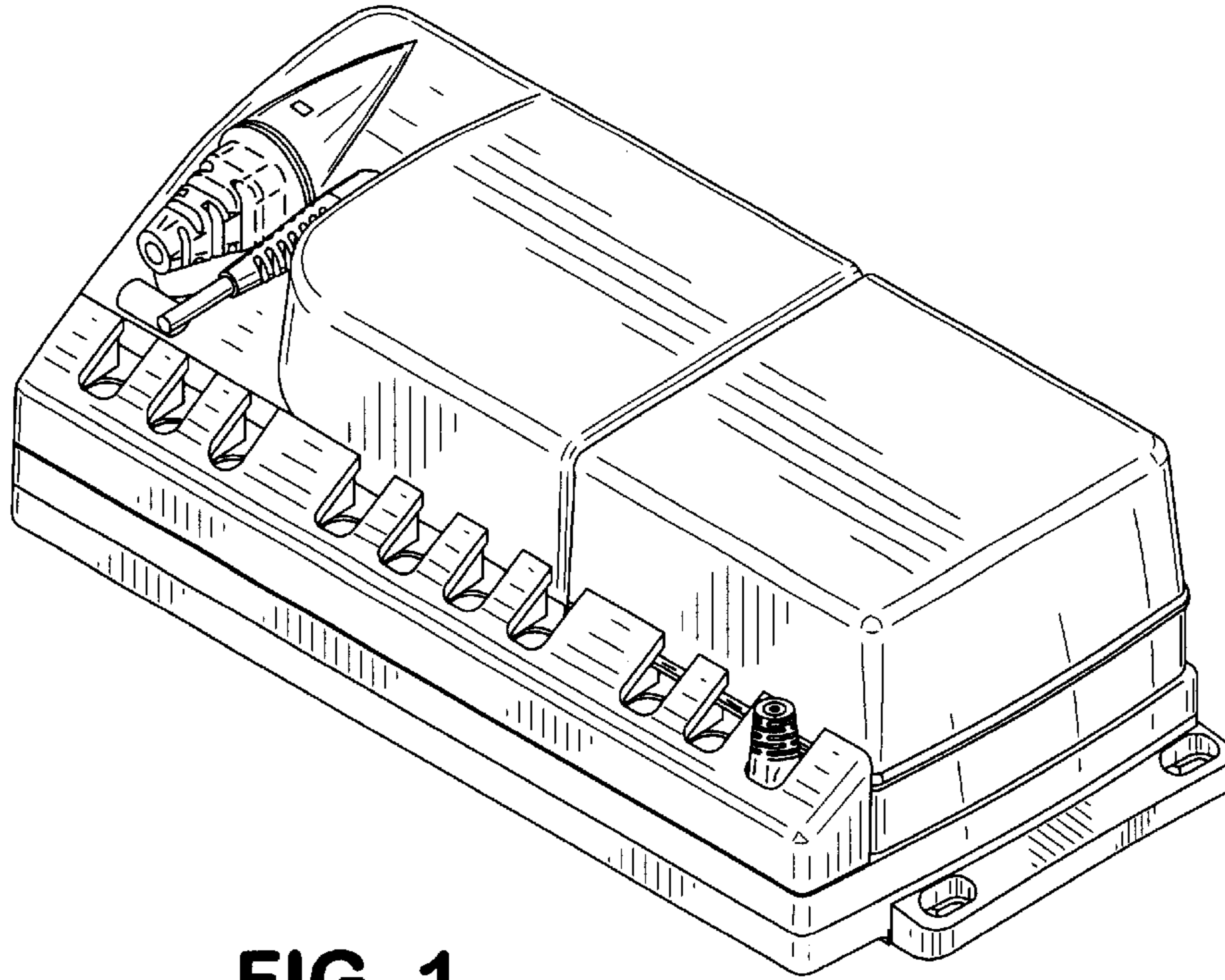


FIG. 1

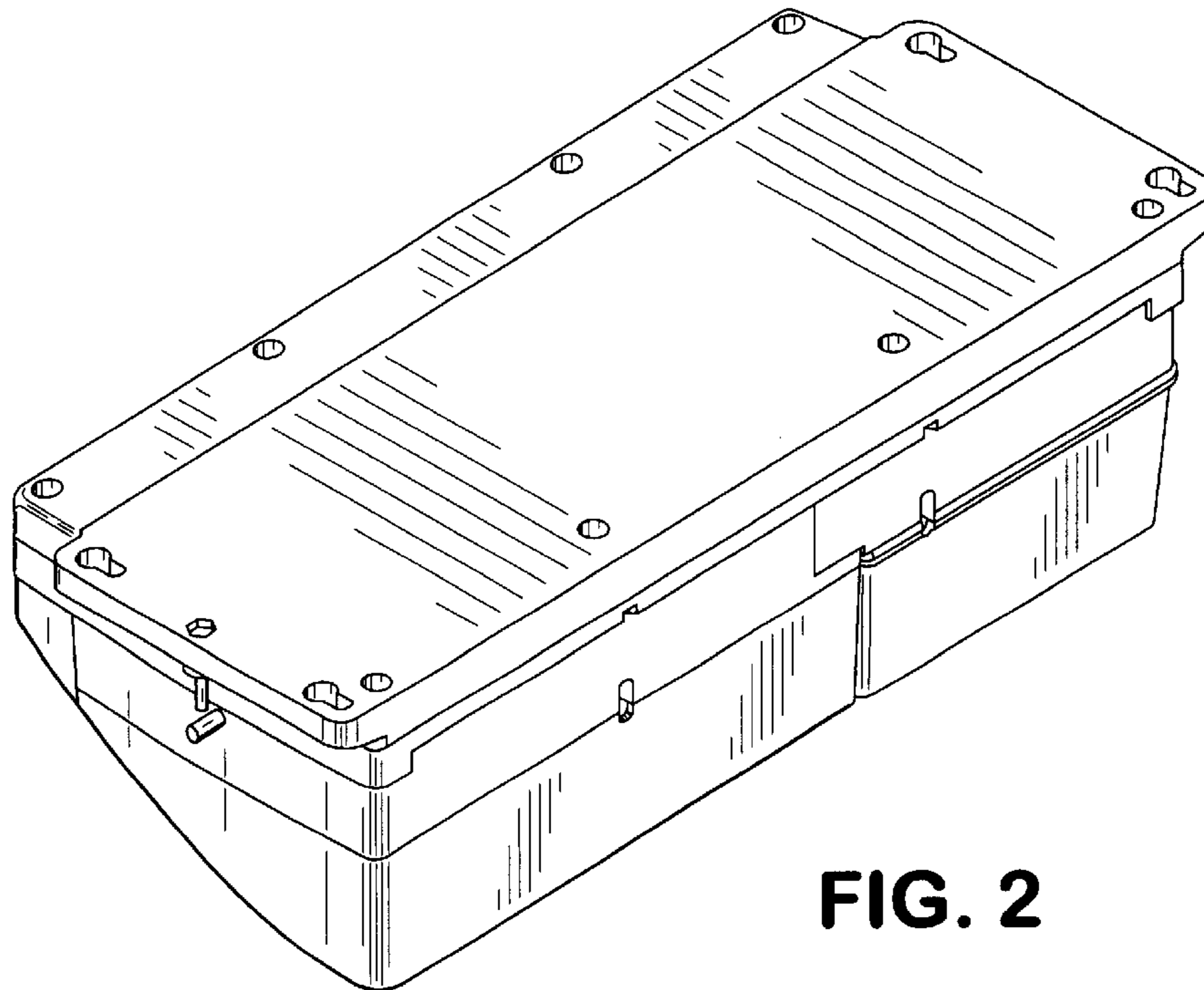


FIG. 2

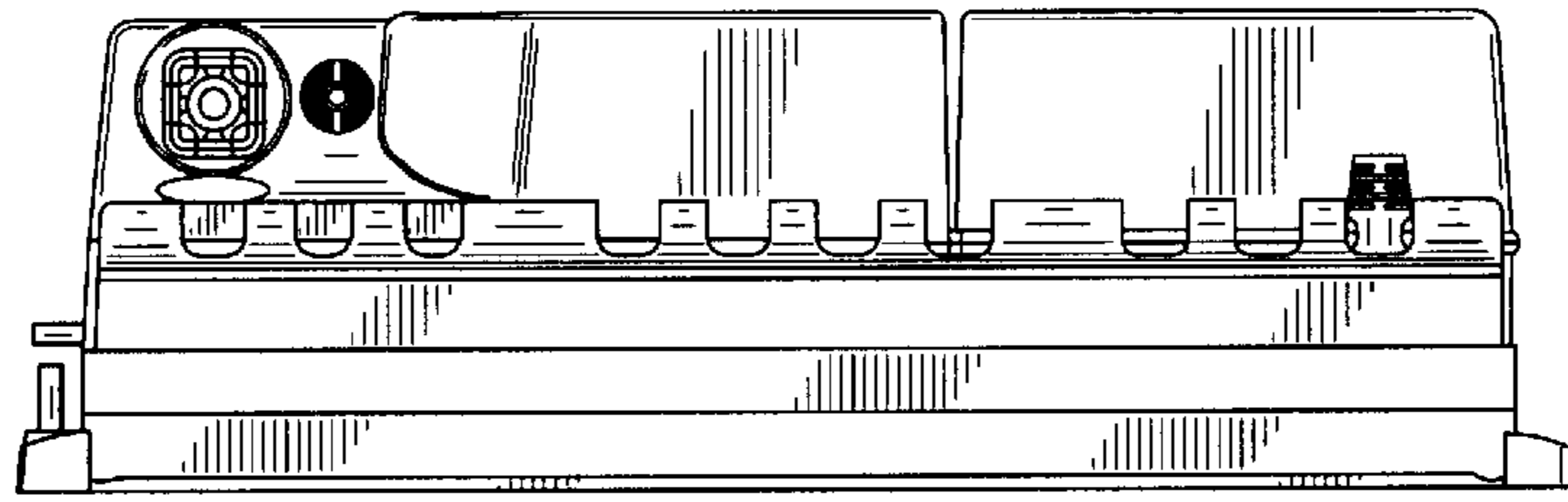


FIG. 3

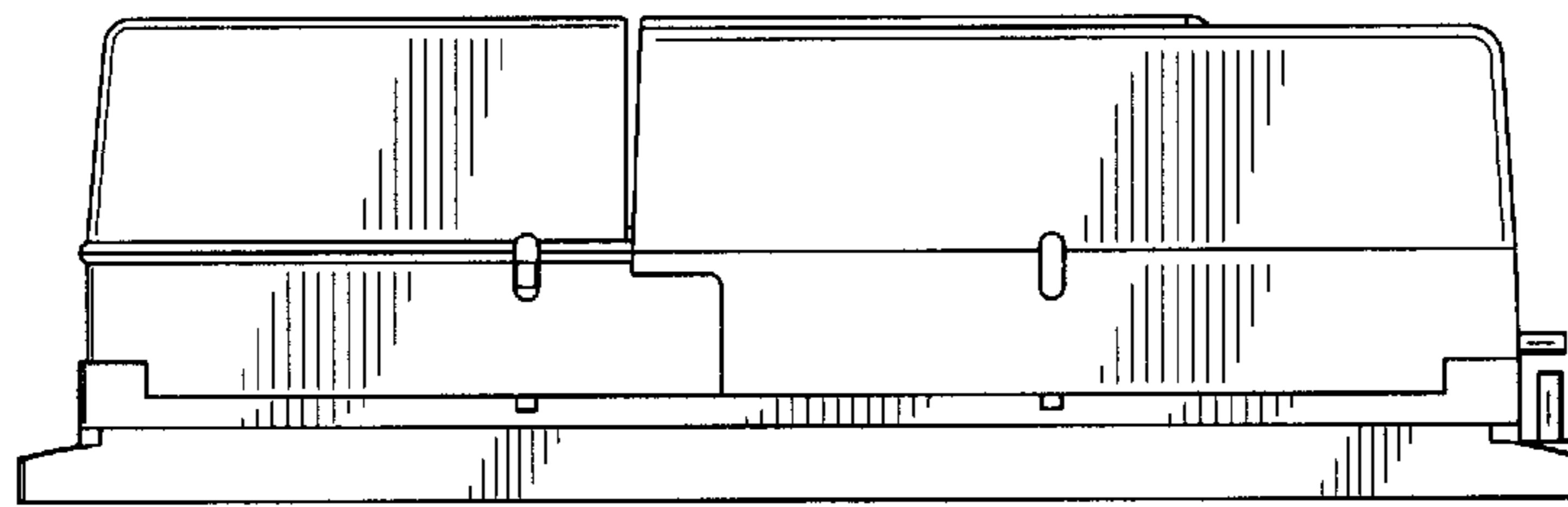


FIG. 4

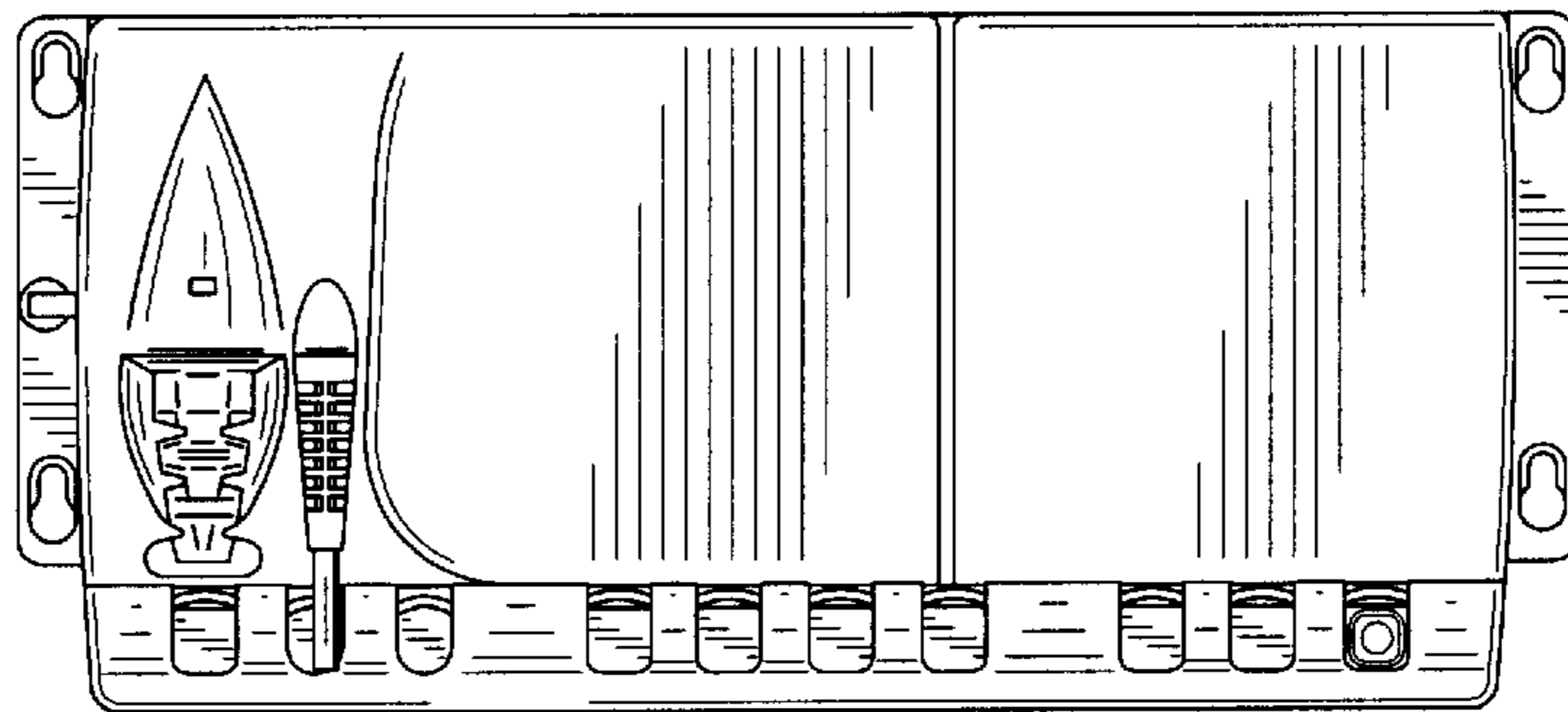


FIG. 5

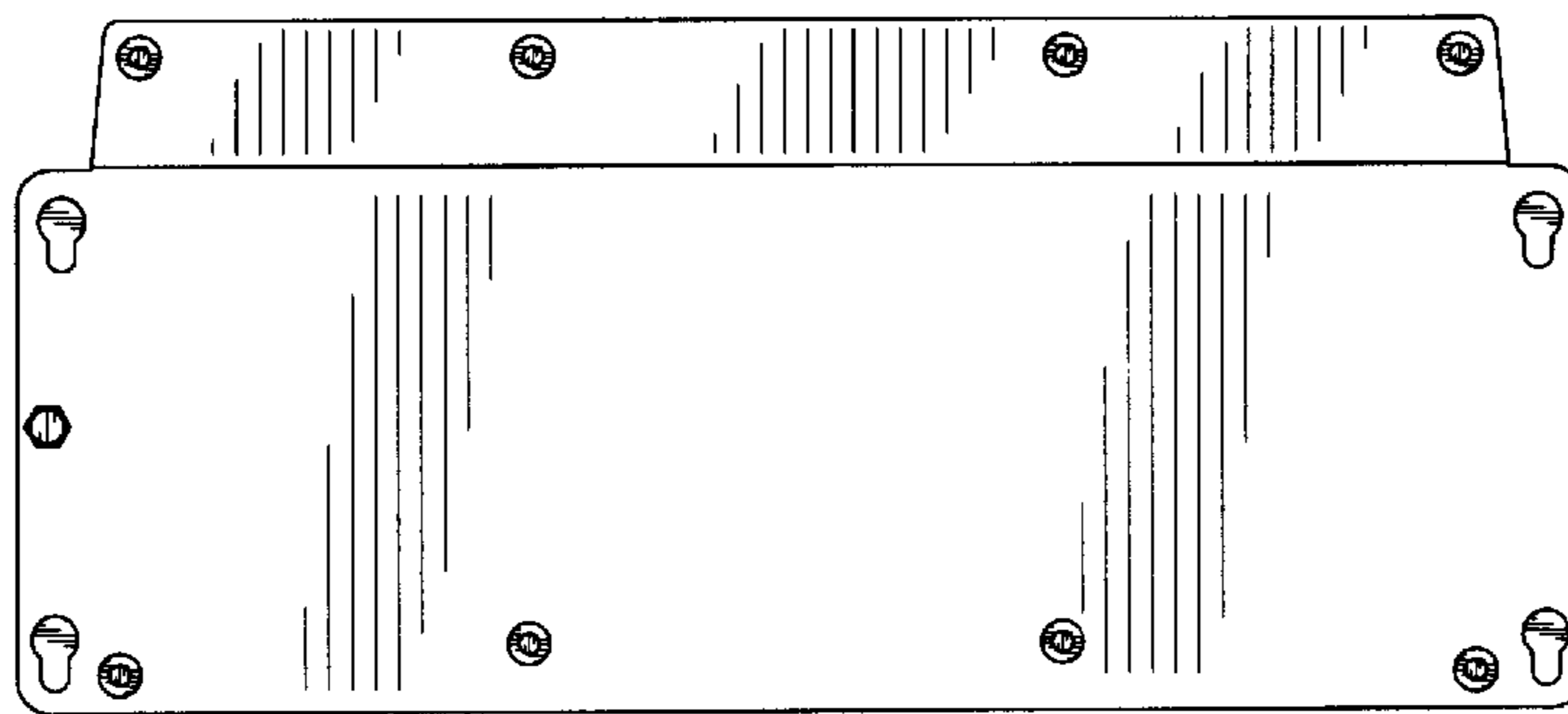


FIG. 6

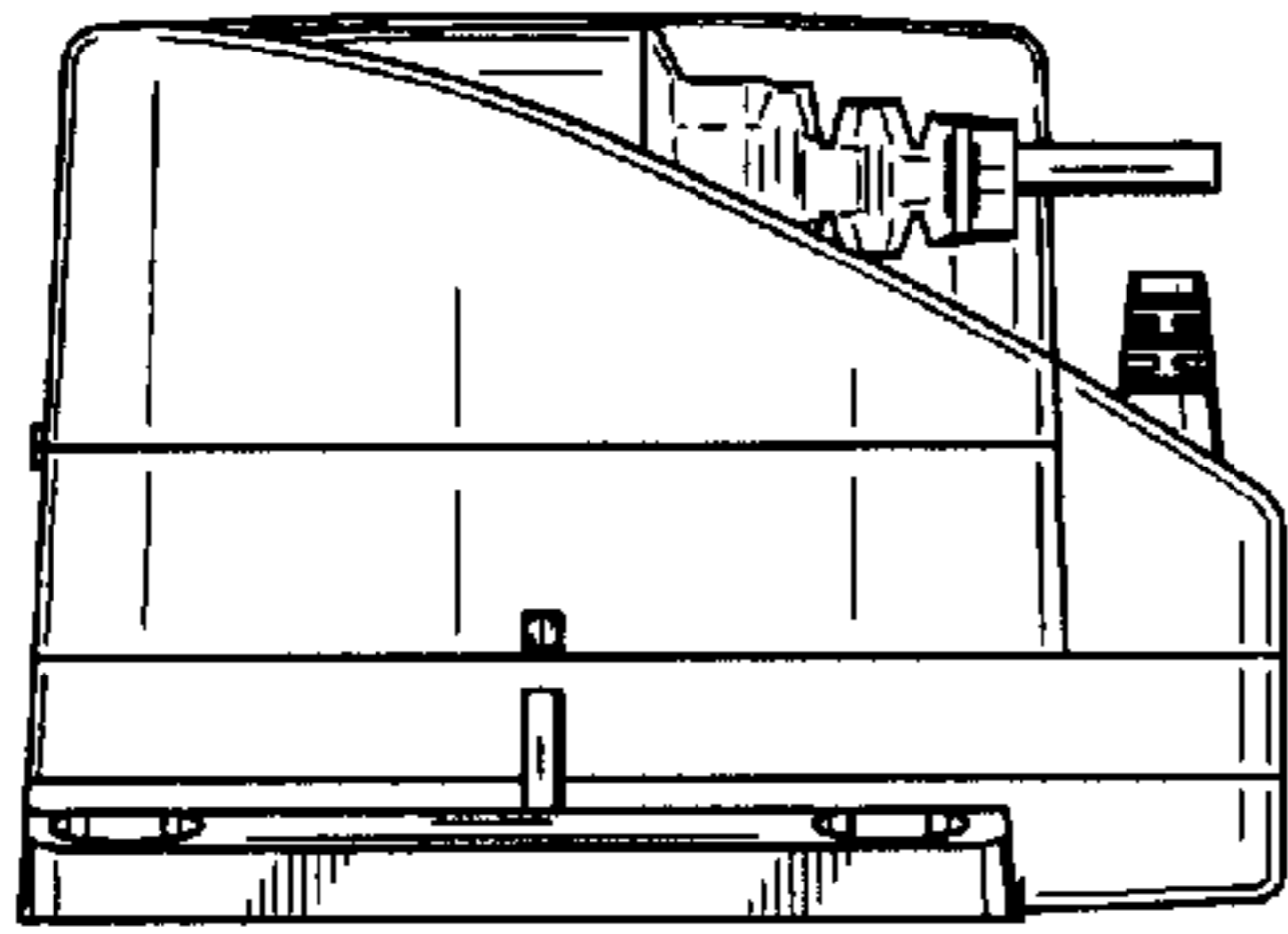


FIG. 7

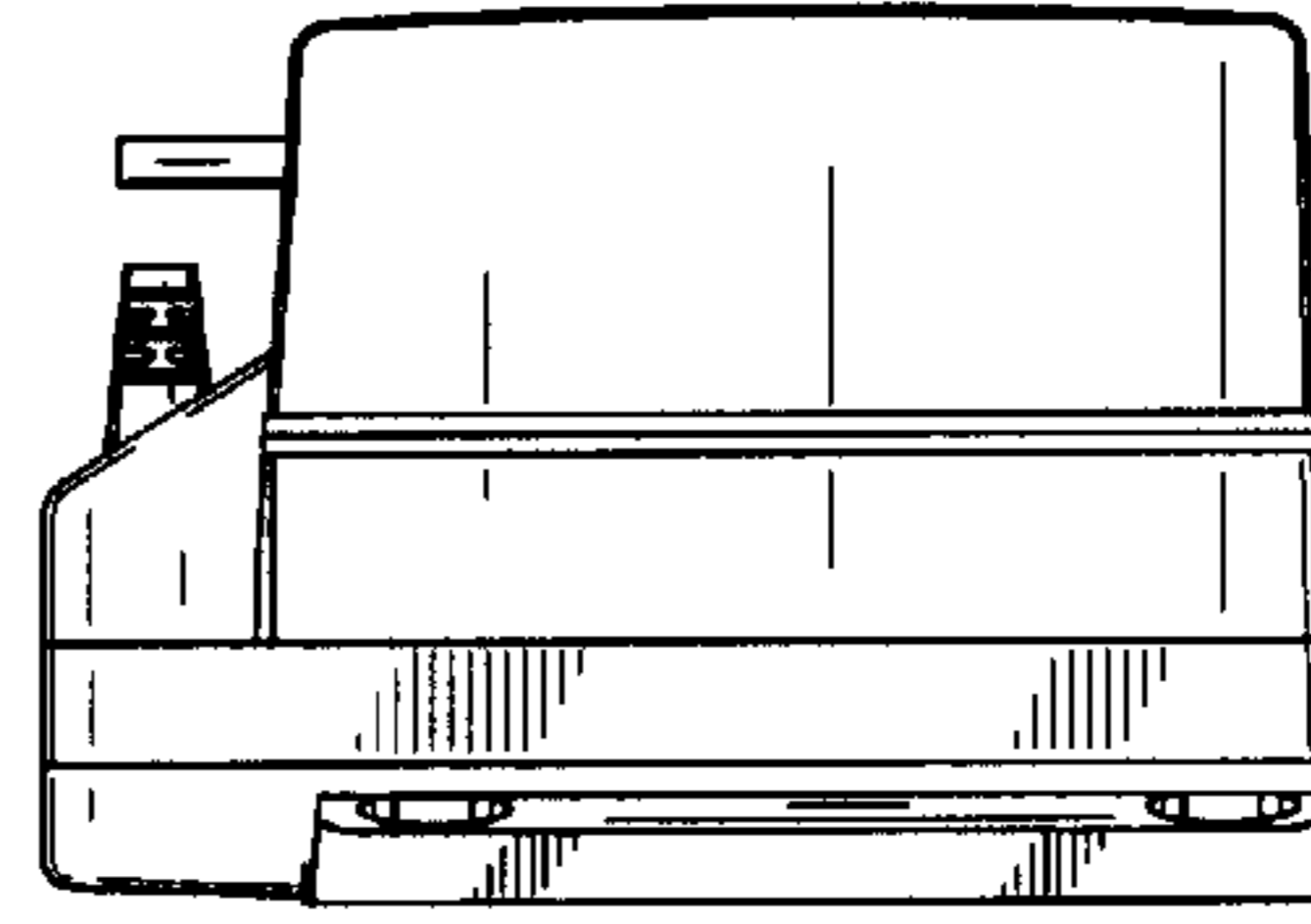


FIG. 8