



US00D543949S

(12) **United States Design Patent**
Victor

(10) **Patent No.:** **US D543,949 S**

(45) **Date of Patent:** **** Jun. 5, 2007**

(54) **CABLE CONNECTOR**

(74) *Attorney, Agent, or Firm*—Trojan Law Offices

(76) **Inventor:** **Jay Victor**, 2017 Bataan Rd., Unit A,
Redondo Beach, CA (US) 90278

(57) **CLAIM**

The ornamental design for a cable connector, as shown and described.

(**) **Term:** **14 Years**

DESCRIPTION

(21) **Appl. No.:** **29/258,390**

FIG. 1 is a top perspective view taken from a side of a cable connector, showing my new design;

(22) **Filed:** **Apr. 20, 2006**

(51) **LOC (8) Cl.** **13-03**

FIG. 2 is a side view of an end connector portion of the cable connector shown in FIG. 1; the opposite side of the view shown in FIG. 2 is a mirror image of the side view shown;

(52) **U.S. Cl.** **D13/154**

(58) **Field of Classification Search** D13/133,
D13/146, 147, 156; 439/447, 483, 606–610,
439/668, 669, 675, 676, 680, 687, 750
See application file for complete search history.

FIG. 3 is a top view of the end connector portion of the cable connector shown in FIG. 1; a bottom view of the end connector portion is a mirror image of the top view shown;

FIG. 4 is a top perspective view taken from a side of the end connector portion of the cable connector shown in FIG. 1;

(56) **References Cited**

U.S. PATENT DOCUMENTS

D253,490 S	*	11/1979	Reiser	D24/167
D284,185 S	*	6/1986	Anderson	D13/146
5,547,399 A	*	8/1996	Naghi et al.	439/623
D387,733 S	*	12/1997	Lee	D13/147
D434,727 S	*	12/2000	Huang	D13/147
D438,510 S	*	3/2001	Leen	D13/146
D447,120 S	*	8/2001	Lee	D13/146
D448,347 S	*	9/2001	Zoiss et al.	D13/146
D449,275 S	*	10/2001	Goto	D13/147
D450,039 S	*	11/2001	Goto	D13/147
D473,848 S	*	4/2003	Zheng et al.	D13/147
6,913,482 B1	*	7/2005	Wu	439/502
D515,511 S	*	2/2006	Nishio et al.	D13/147

FIG. 5 is a side view of a splitter portion of the cable connector shown in FIG. 1; the opposite side of the view shown in FIG. 5 is a mirror image of the side view shown;

FIG. 6 is a top view of the splitter portion of the cable connector shown in FIG. 1; a bottom view of the splitter portion is a mirror image of the top view shown; and,

FIG. 7 is a top perspective view taken from a side of the splitter portion of the cable connector shown in FIG. 1.

The broken lines showing pins and heads next to the pins in

FIGS. 1 through 4, and cable lines in FIGS. 1 through 7 are

for illustrative purposes only and form no part of the claimed

design.

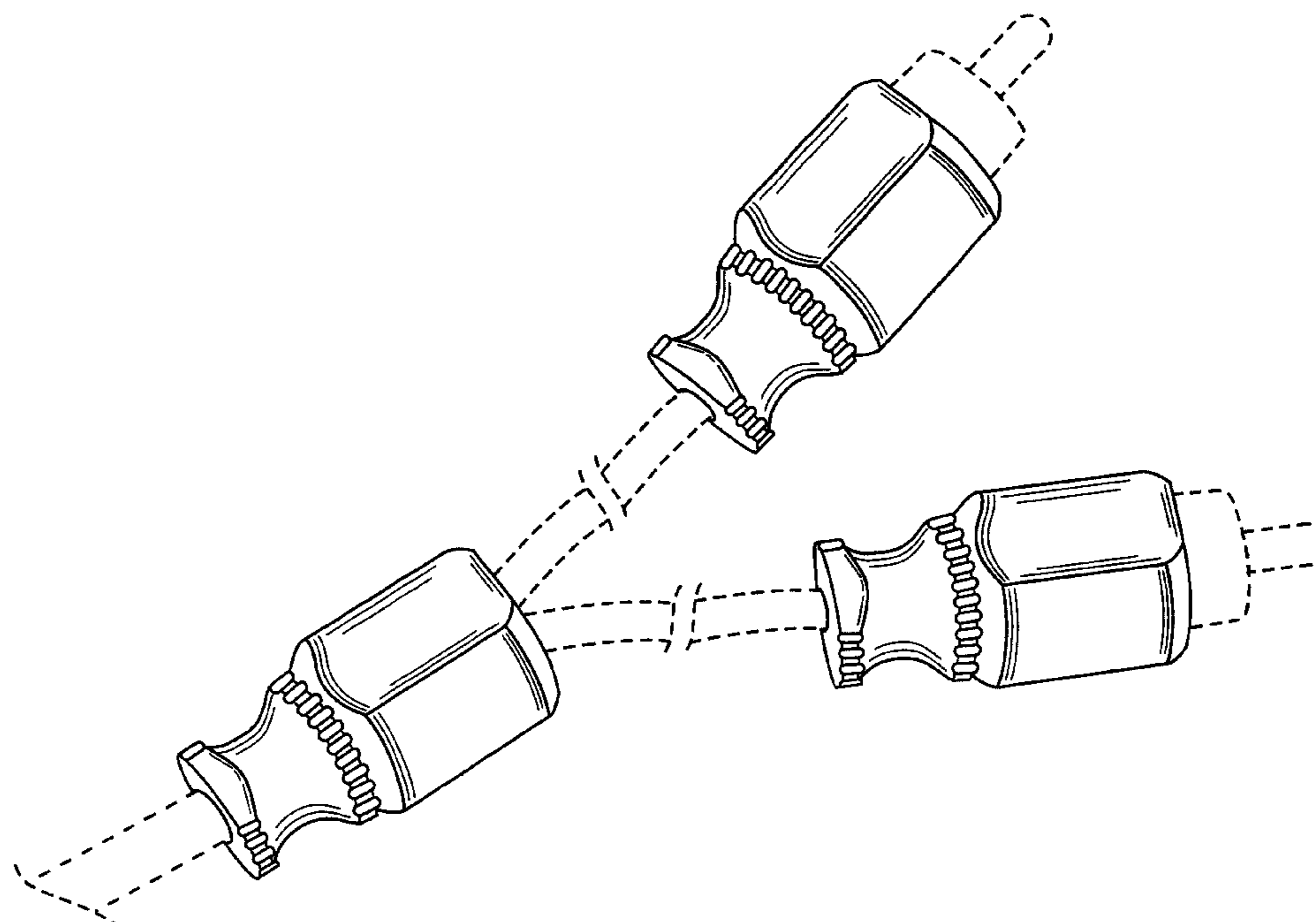
For ease of illustration, the splitter and end connector

portions are shown separately in FIGS. 2–7.

* cited by examiner

Primary Examiner—M. H. Tung
Assistant Examiner—Rosemary K. Tarca

1 Claim, 5 Drawing Sheets



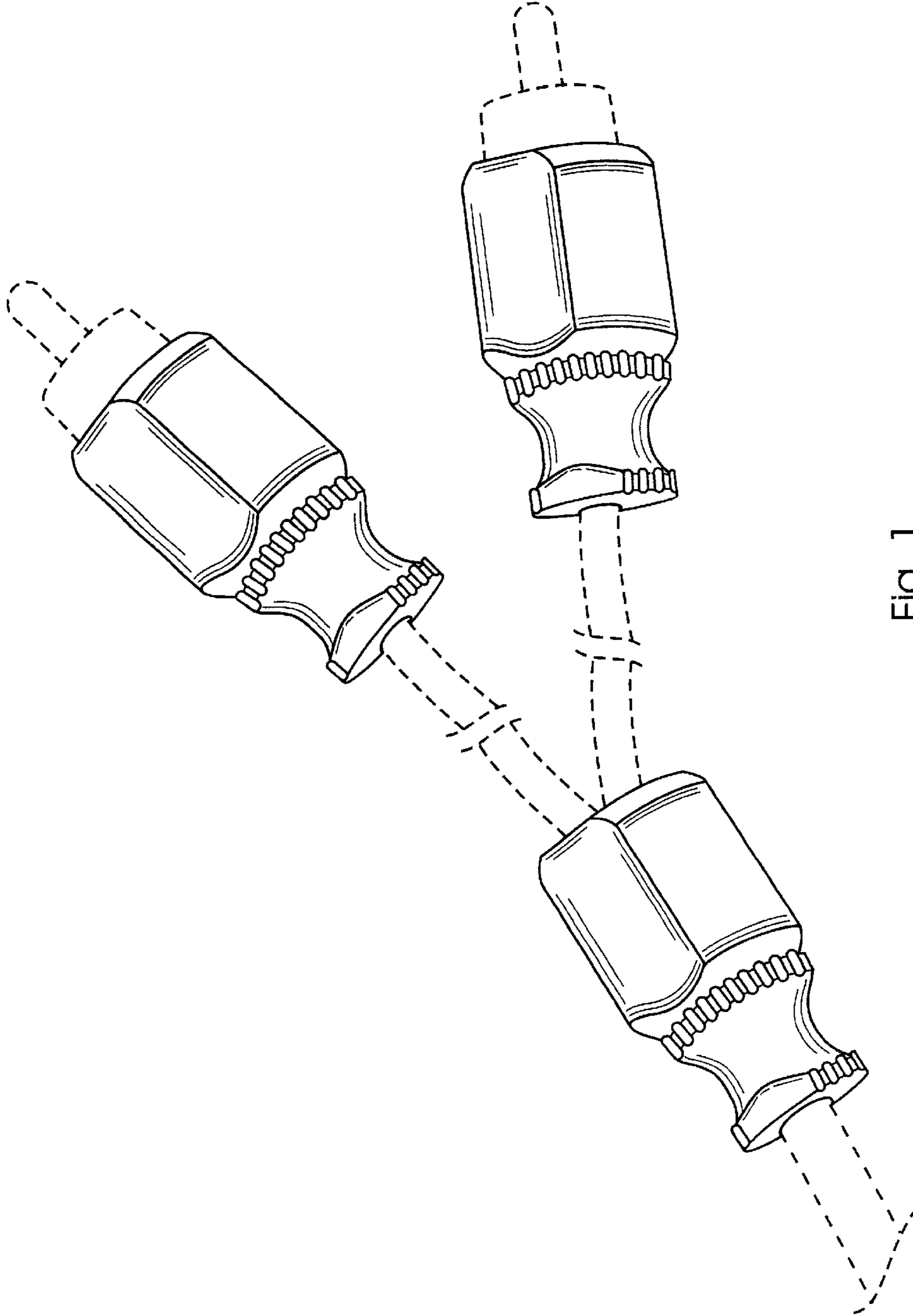


Fig. 1

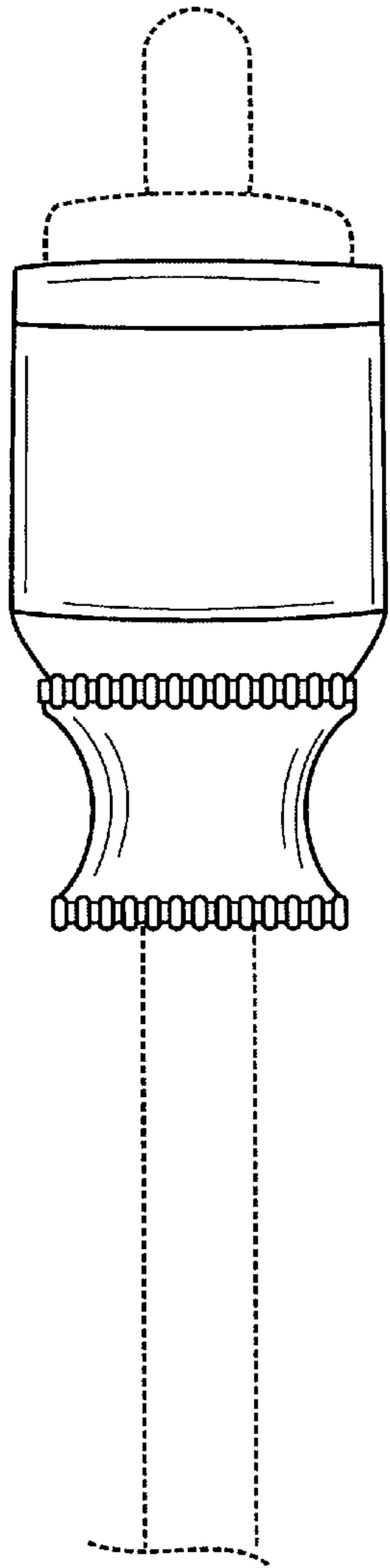


Fig. 2

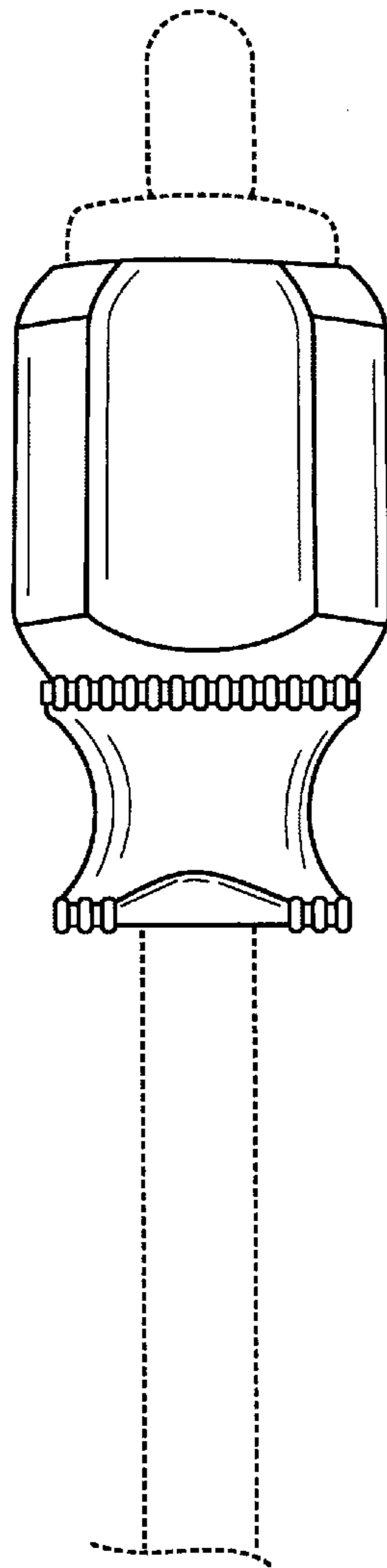


Fig. 3

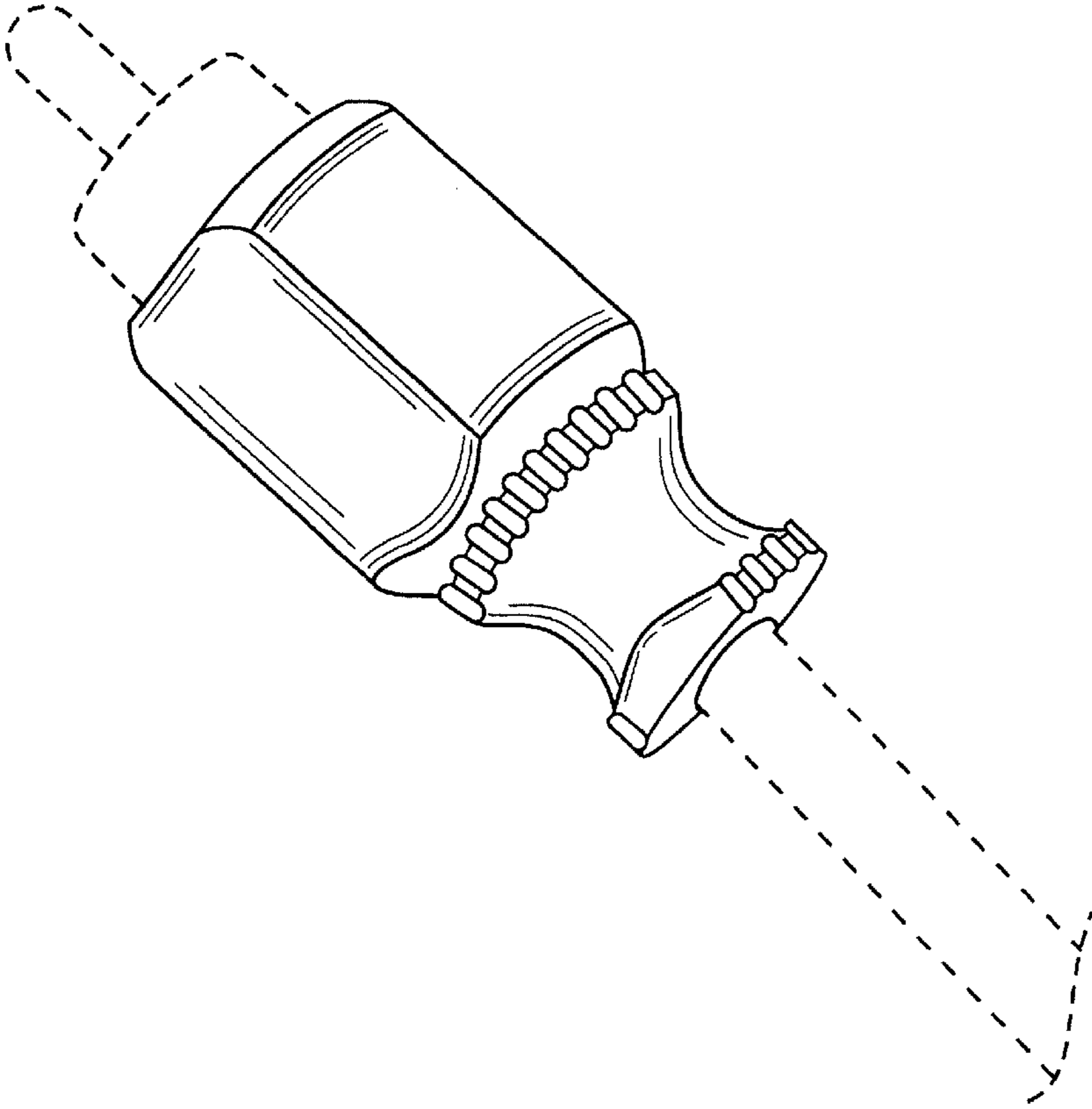


Fig. 4

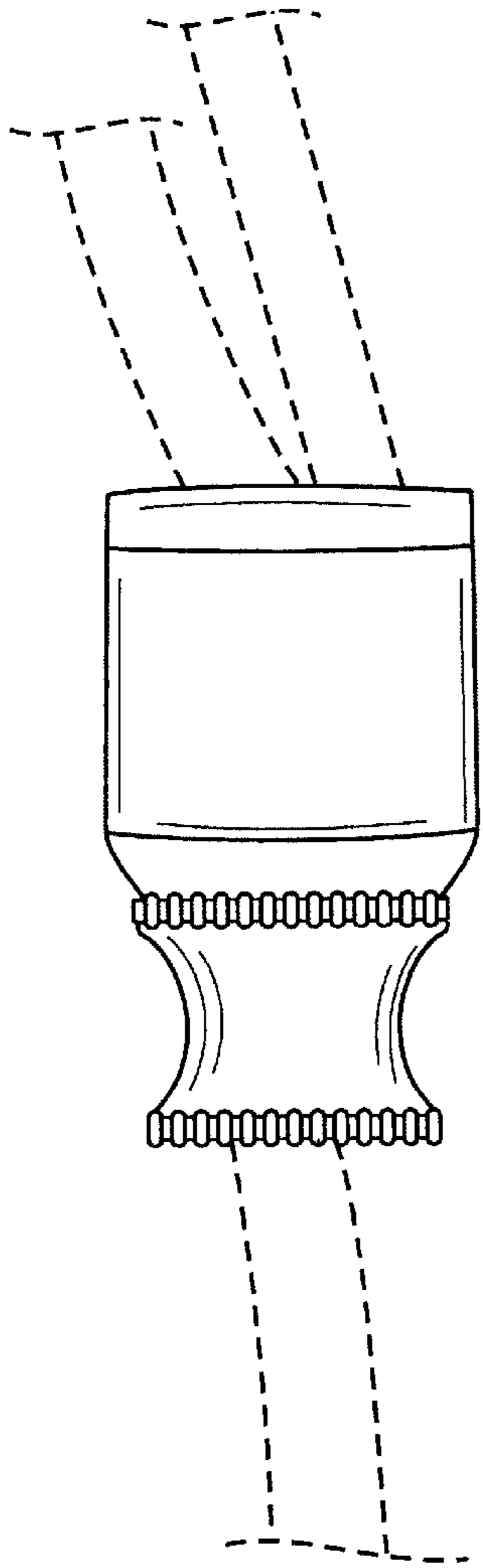


Fig. 5

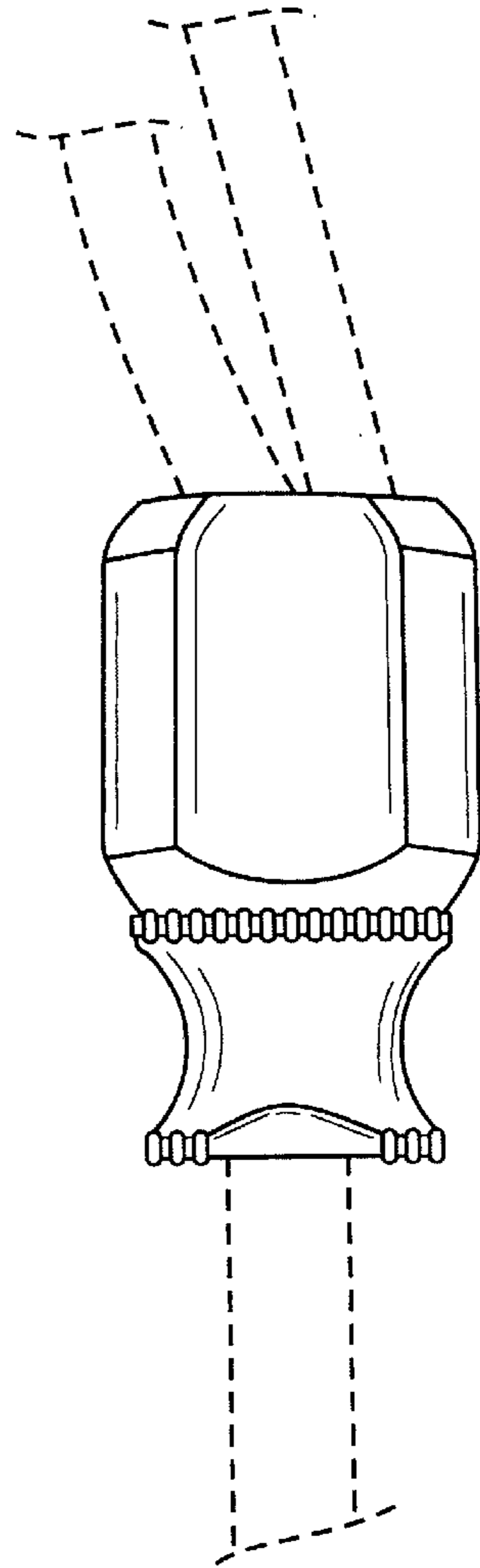


Fig. 6

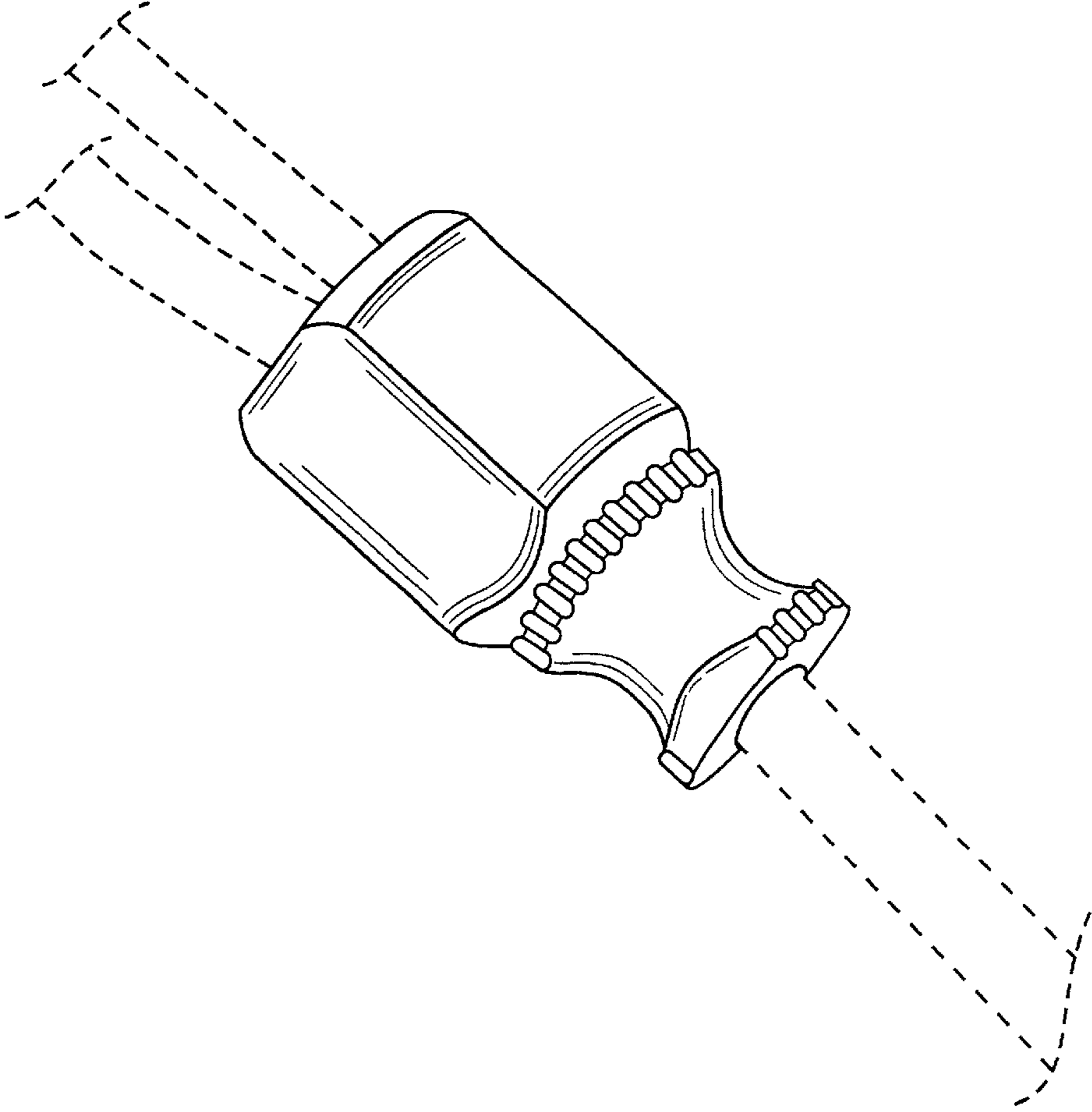


Fig. 7