

US00D543948S

(12) **United States Design Patent**  
**Montena**

(10) **Patent No.:** **US D543,948 S**  
(45) **Date of Patent:** **\*\* Jun. 5, 2007**

(54) **CO-AXIAL CABLE CONNECTOR**  
(75) Inventor: **Noah P. Montena**, Syracuse, NY (US)  
(73) Assignee: **John Mezzalingua Associates, Inc.**,  
Syracuse, NY (US)  
(\*\*) Term: **14 Years**  
(21) Appl. No.: **29/212,180**  
(22) Filed: **Aug. 27, 2004**

(51) **LOC (8) Cl.** ..... **13-03**  
(52) **U.S. Cl.** ..... **D13/154; D13/151**  
(58) **Field of Classification Search** ..... D13/133,  
D13/146, 147, 151, 154, 156; 439/447, 483,  
439/606-610, 668, 669, 675, 676, 680, 687,  
439/750

See application file for complete search history.

(56) **References Cited**

**U.S. PATENT DOCUMENTS**

D333,511 S \* 2/1993 Mikiya et al. .... D23/262  
6,174,206 B1 \* 1/2001 Yentile et al. .... 439/638  
D468,696 S \* 1/2003 Montena ..... D13/151  
D475,977 S \* 6/2003 Montena ..... D13/151  
D511,497 S \* 11/2005 Murphy et al. .... D13/151  
D512,689 S \* 12/2005 Murphy et al. .... D13/151  
D513,405 S \* 1/2006 Rohr et al. .... D13/133  
D517,018 S \* 3/2006 Montena ..... D13/151  
D518,772 S \* 4/2006 Fox ..... D13/133

D519,076 S \* 4/2006 Fox ..... D13/133  
D519,451 S \* 4/2006 Fox ..... D13/133  
D521,454 S \* 5/2006 Murphy et al. .... D13/151  
D529,865 S \* 10/2006 LaPere ..... D13/133

\* cited by examiner

*Primary Examiner*—Alan P. Douglas  
*Assistant Examiner*—Rosemary K. Tarcza  
(74) *Attorney, Agent, or Firm*—Schmeiser, Olsen & Watts

(57) **CLAIM**

The ornamental design for a co-axial cable connector, as shown and described.

**DESCRIPTION**

FIG. 1 is a perspective view of a co-axial cable connector showing my new design;

FIG. 2 is a side elevational view thereof, the other side being a mirror image;

FIG. 3 is a top view, the bottom view being a mirror image thereof;

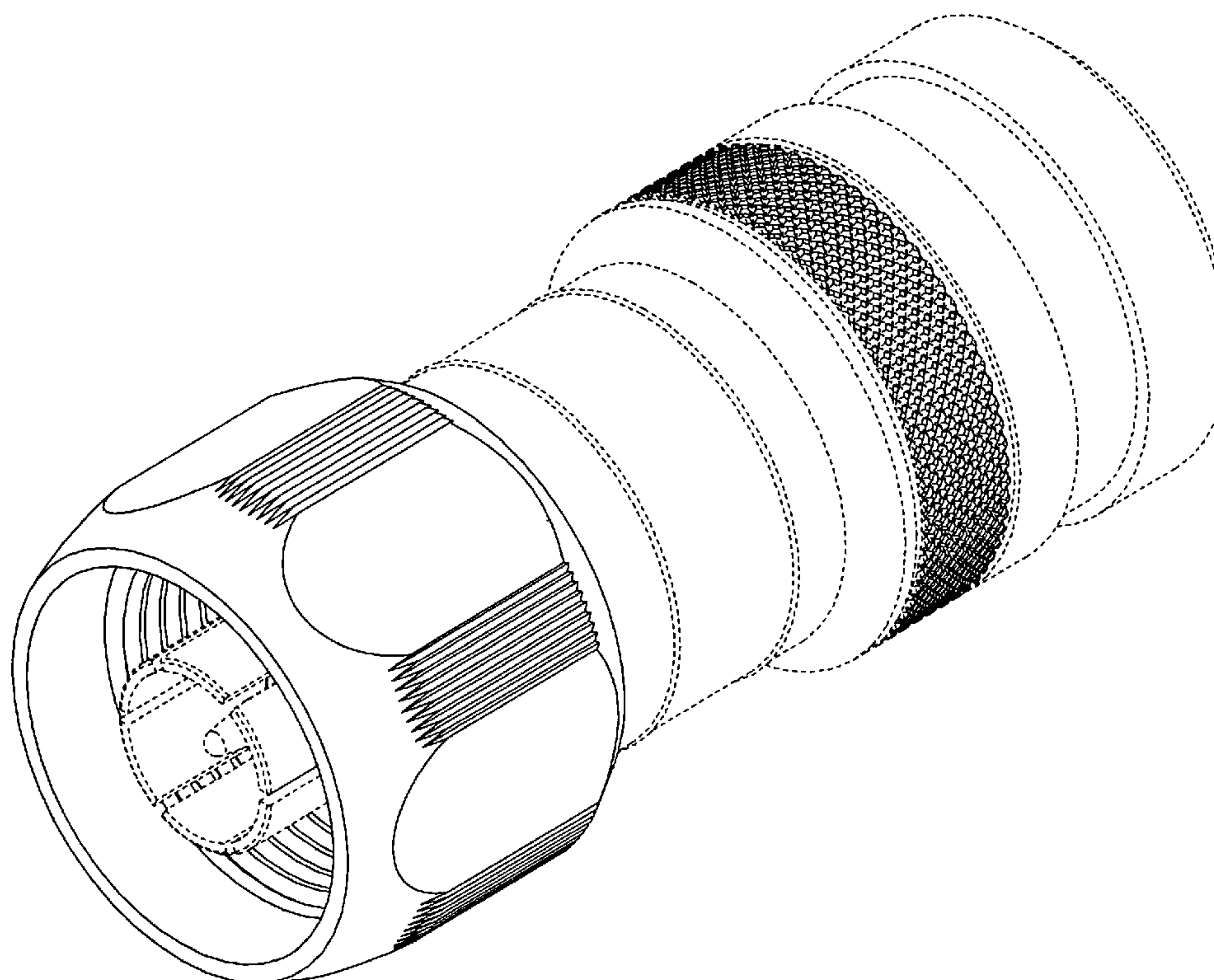
FIG. 4 is an end view thereof; and,

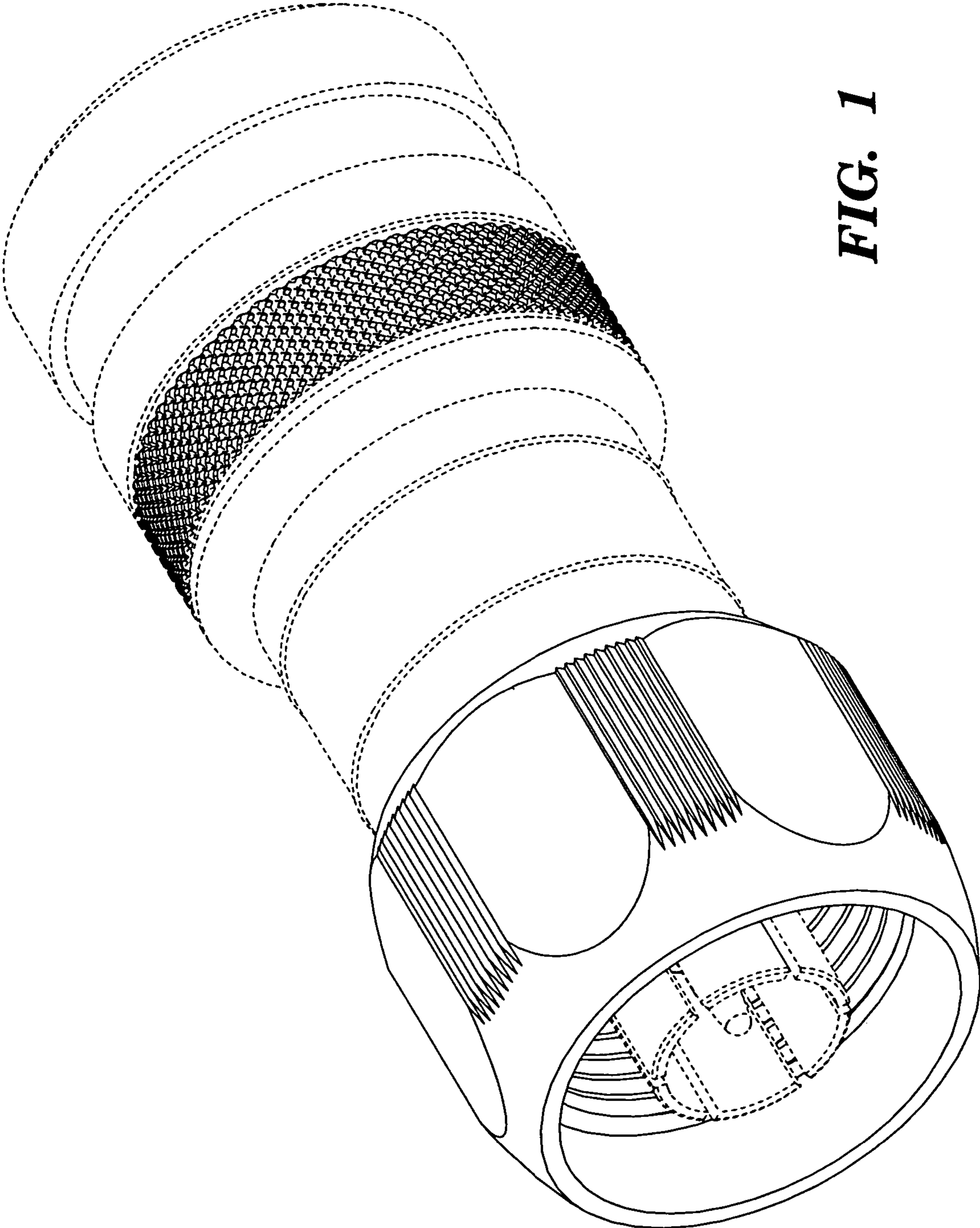
FIG. 5 is an opposite end view thereof.

The broken lines depict environmental structure and form no part of the claimed design.

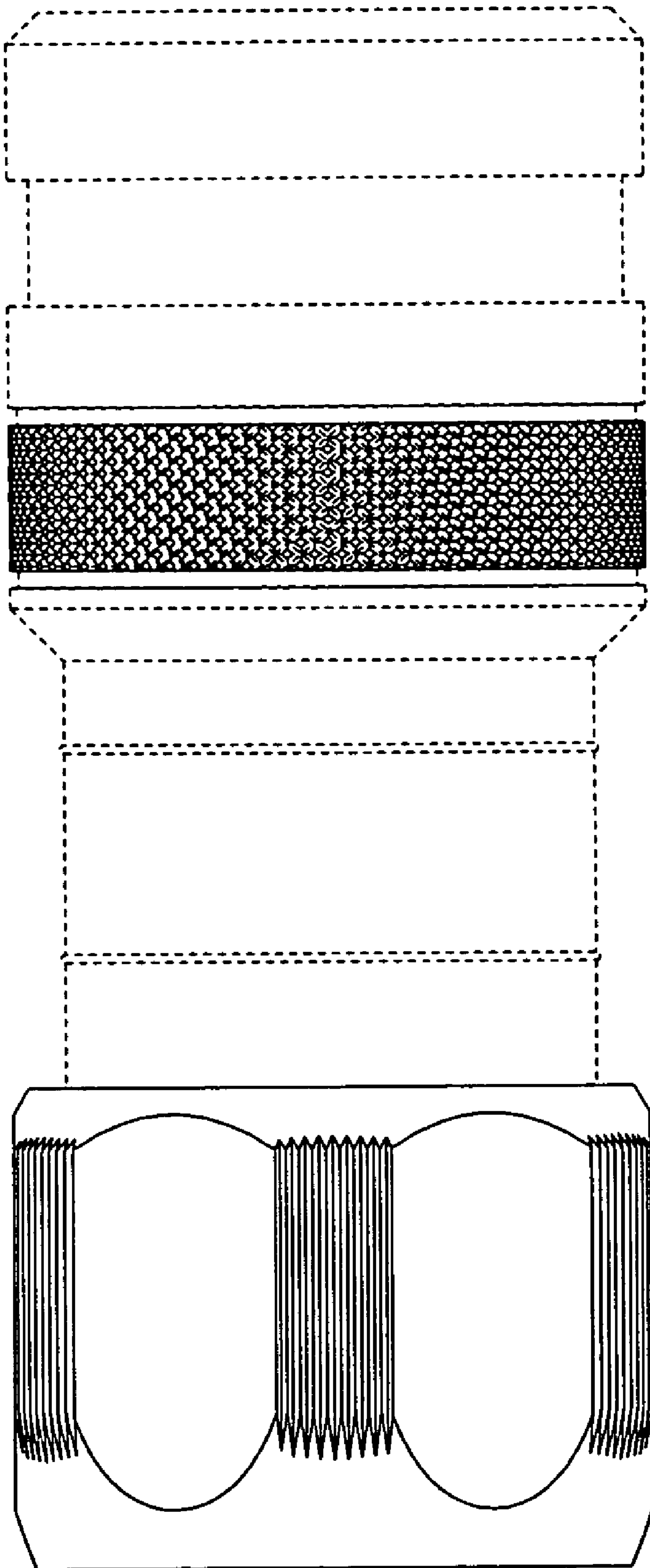
The knurling in FIGS. 1-3 is depicted as hidden lines and is environmental in nature.

**1 Claim, 5 Drawing Sheets**



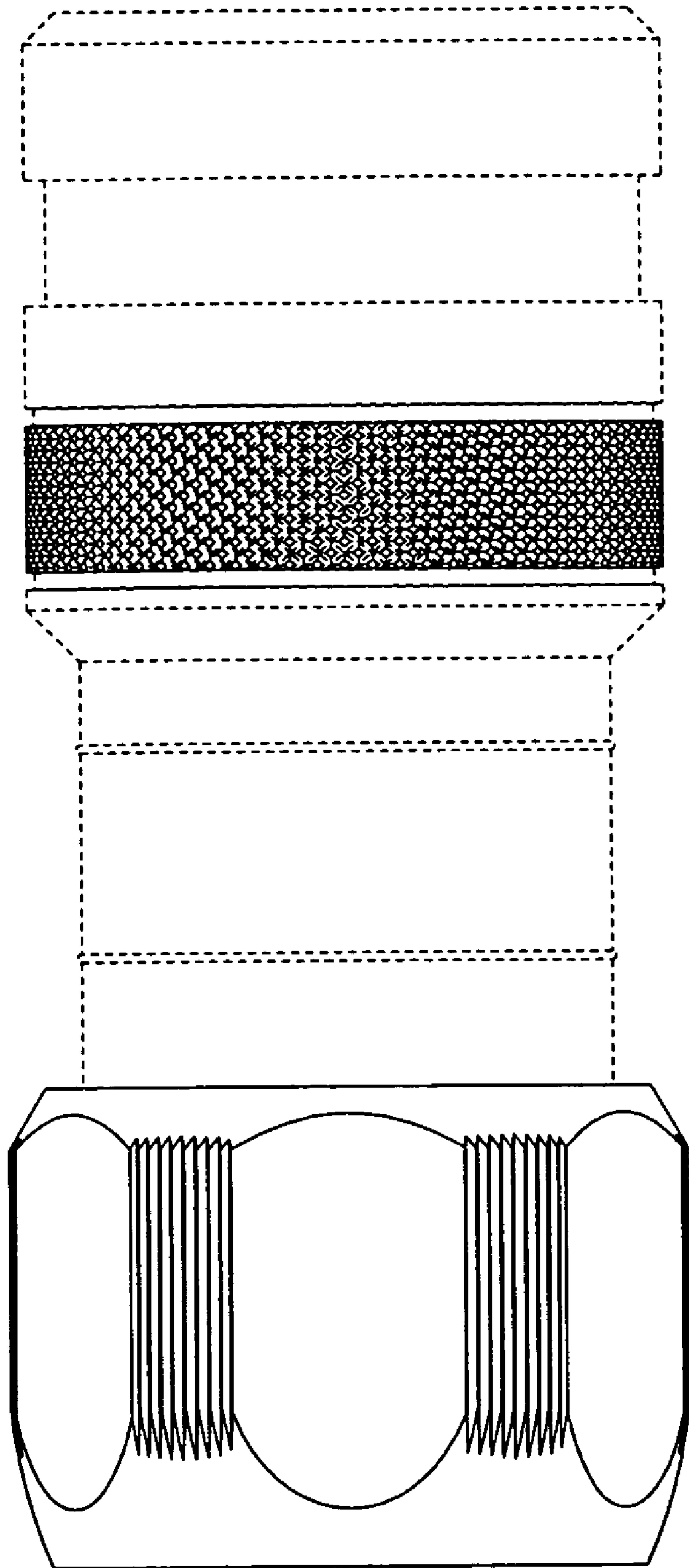


**FIG. 1**

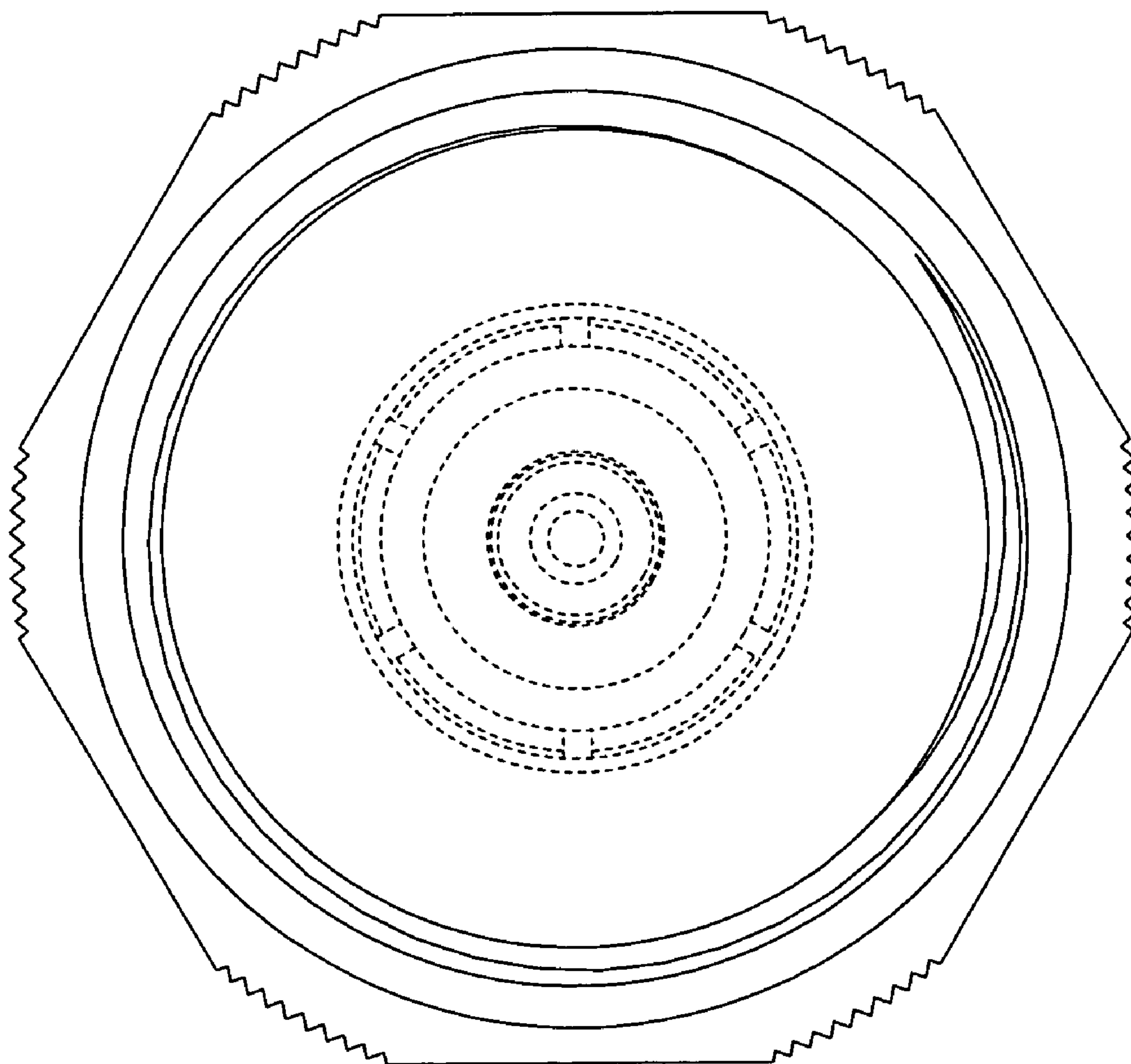


**FIG. 2**

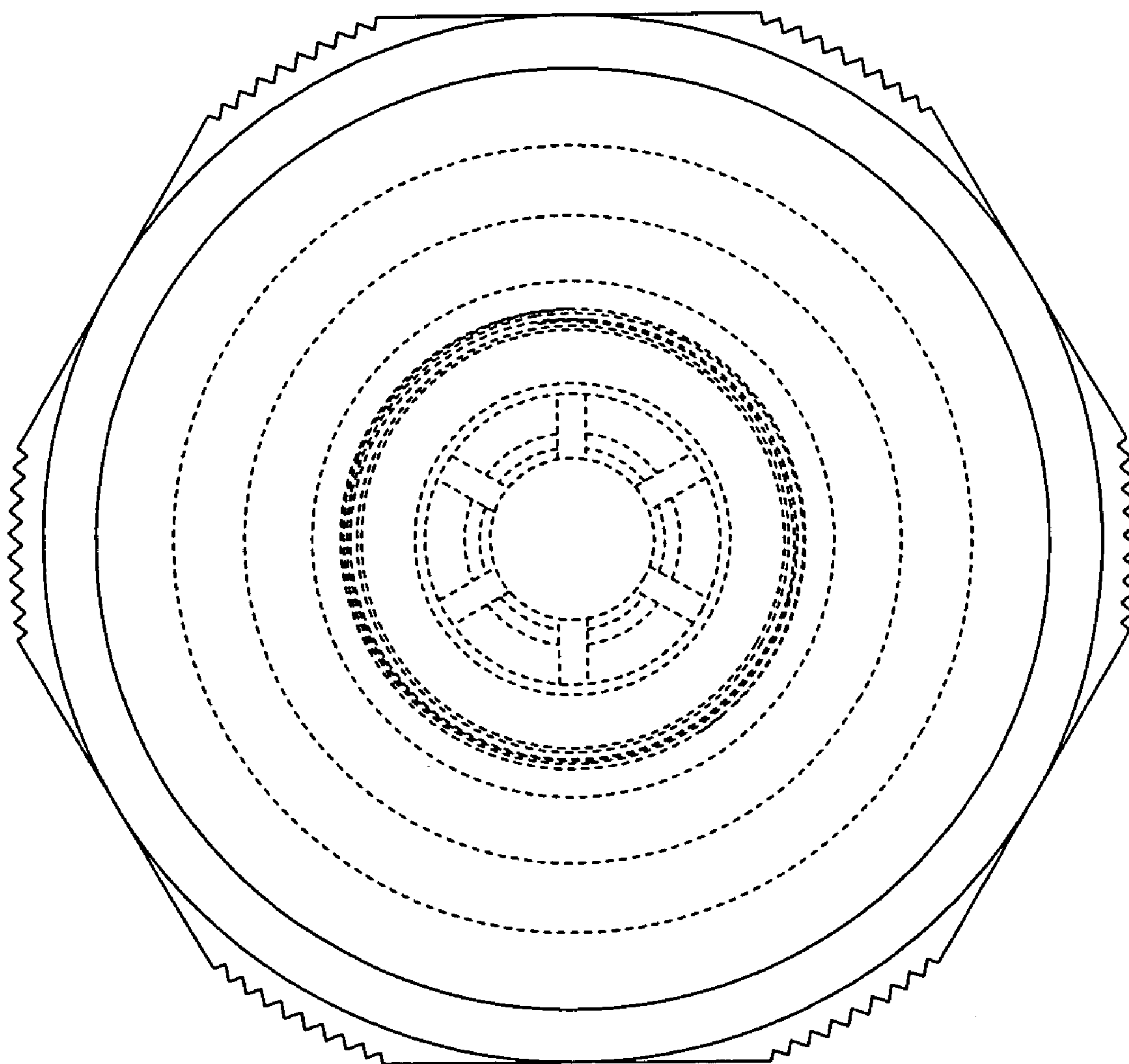




**FIG. 3**



**FIG. 4**



**FIG. 5**