

US00D543947S

(12) **United States Design Patent**  
**Phung et al.**

(10) **Patent No.:** **US D543,947 S**

(45) **Date of Patent:** **\*\* Jun. 5, 2007**

(54) **CONNECTOR HOUSING**

(75) Inventors: **Phillip Phung**, Kirkland, WA (US);  
**Jennifer M Waite**, Renton, WA (US);  
**Max R Banakar**, Bellevue, WA (US);  
**Patrick S McNutt**, Carnation, WA (US)

(73) Assignee: **Leviton Manufacturing Co., Inc.**,  
Little Neck, NY (US)

(\*\*) Term: **14 Years**

(21) Appl. No.: **29/213,597**

(22) Filed: **Sep. 20, 2004**

(51) **LOC (8) Cl.** ..... **13-03**

(52) **U.S. Cl.** ..... **D13/151**

(58) **Field of Classification Search** ..... D13/133–134,  
D13/151, 154, 184, 199; D14/432–433; D23/259–260;  
361/704, 709–710; 439/350–356, 548, 556–558,  
439/587, 699.2

See application file for complete search history.

(56) **References Cited**

**U.S. PATENT DOCUMENTS**

3,346,279	A	*	10/1967	Stachiw et al.	.....	285/353
4,645,281	A	*	2/1987	Burger	.....	439/133
D362,900	S	*	10/1995	Miska	.....	D23/260
D387,730	S	*	12/1997	McCarthy	.....	D13/133
D402,354	S	*	12/1998	Strong et al.	.....	D23/259
5,937,450	A	*	8/1999	Jones	.....	4/252.1
D492,934	S	*	7/2004	Lingemann et al.	.....	D13/134
D515,521	S	*	2/2006	Stewart et al.	.....	D13/184

**OTHER PUBLICATIONS**

Hubbell Incorporated, Hubbell Premier Wiring, Connecting Hardware for Harsh Environments, Hi-Impact Category 5e Shielded Connector, DS-E14, Sep. 2004, 2 pages, Stonington, CT.

\* cited by examiner

*Primary Examiner*—Daniel Bui

(74) *Attorney, Agent, or Firm*—George C. Rondeau, Jr.;  
Davis Wright Tremaine LLP

(57) **CLAIM**

The ornamental design for a connector housing, as shown and described.

**DESCRIPTION**

FIG. 1 is a front perspective view of a connector housing showing our new design.

FIG. 2 is a rear perspective view thereof.

FIG. 3 is a top plan view thereof.

FIG. 4 is a bottom plan view thereof.

FIG. 5 is a side elevational view thereof.

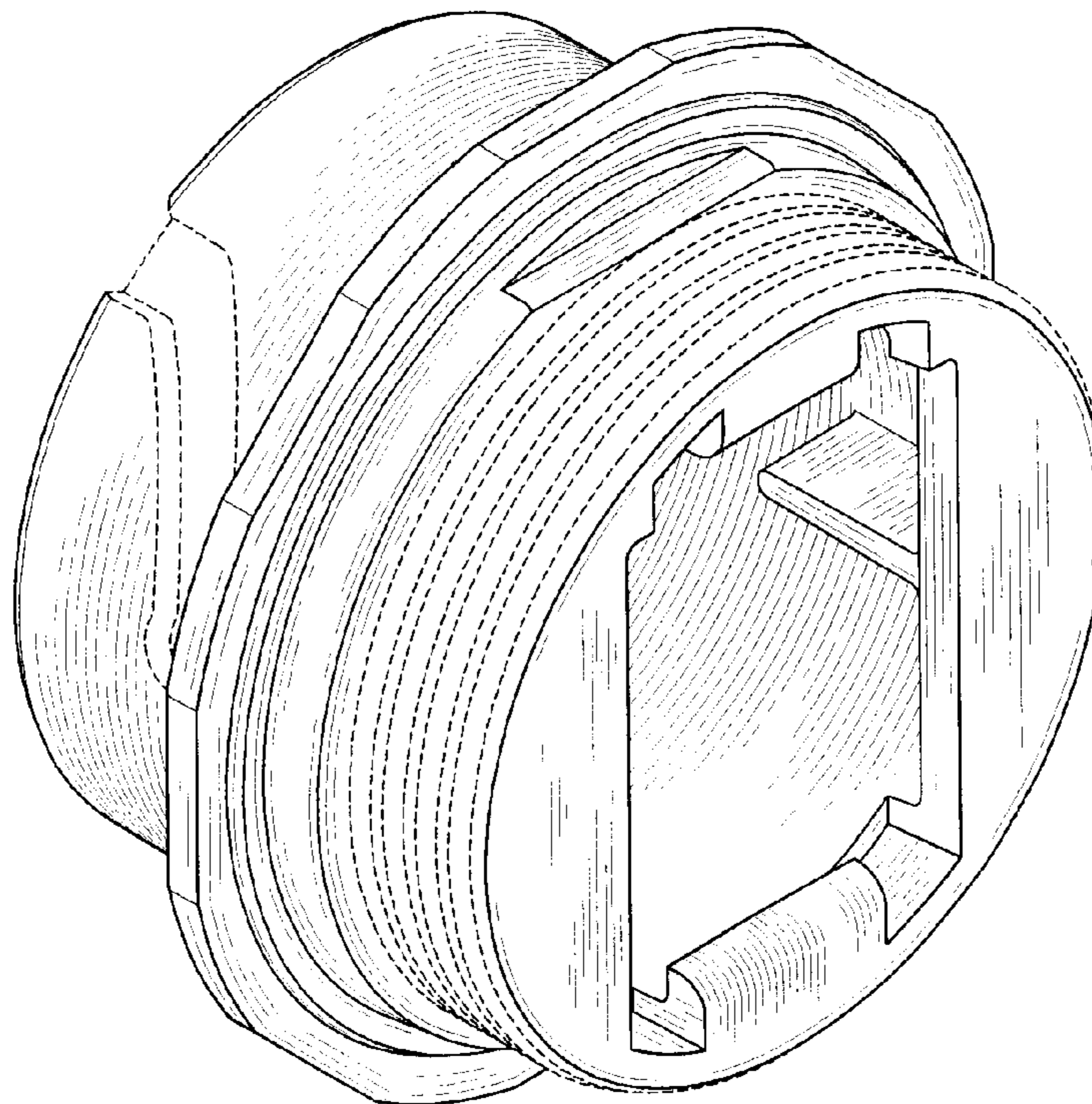
FIG. 6 is another side elevational view thereof shown rotated 90 degrees from the view of FIG. 5.

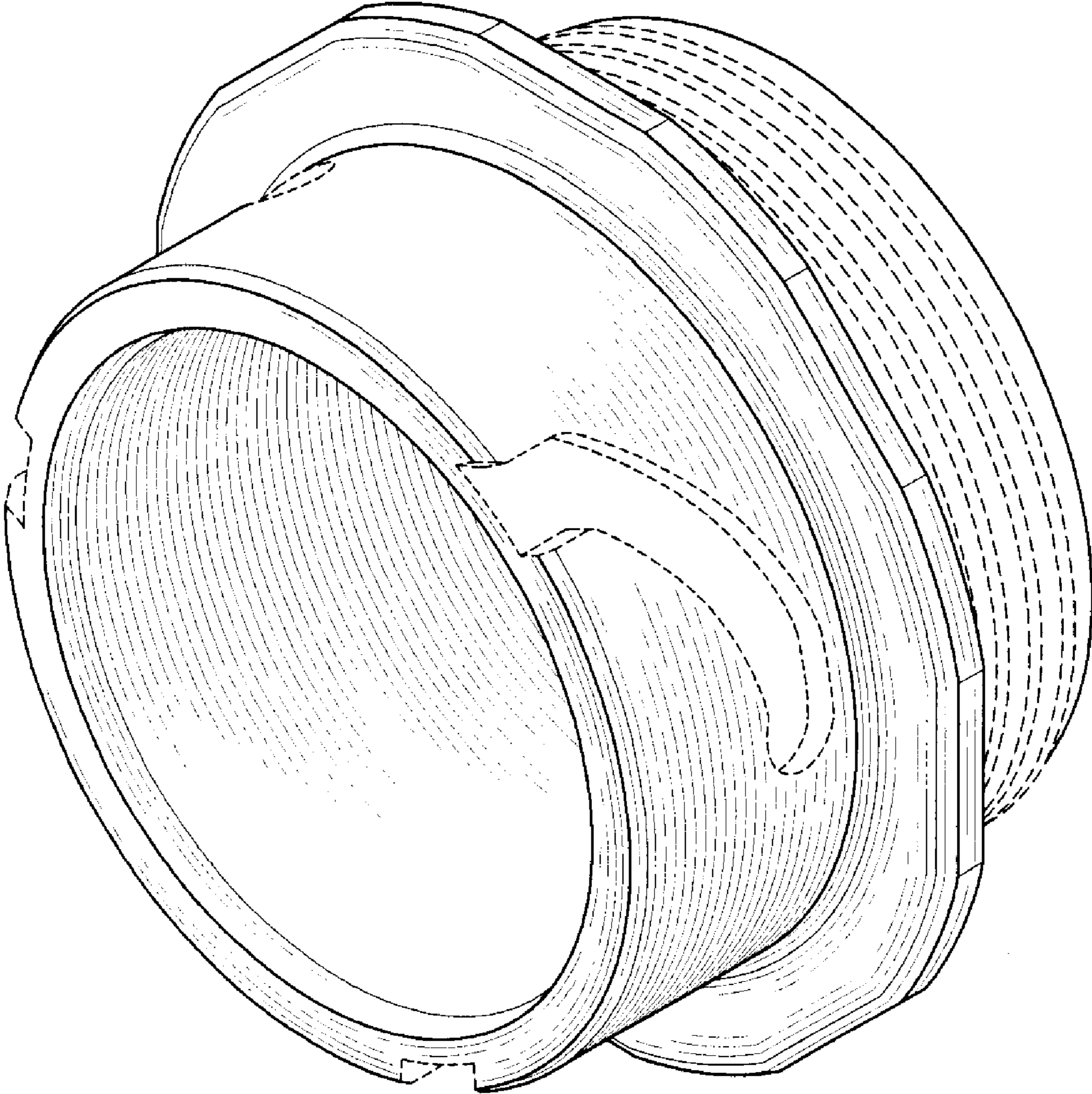
FIG. 7 is another side elevational view thereof shown rotated 90 degrees from the view of FIG. 6; and,

FIG. 8 is another side elevational view thereof shown rotated 90 degrees from the view of FIG. 7.

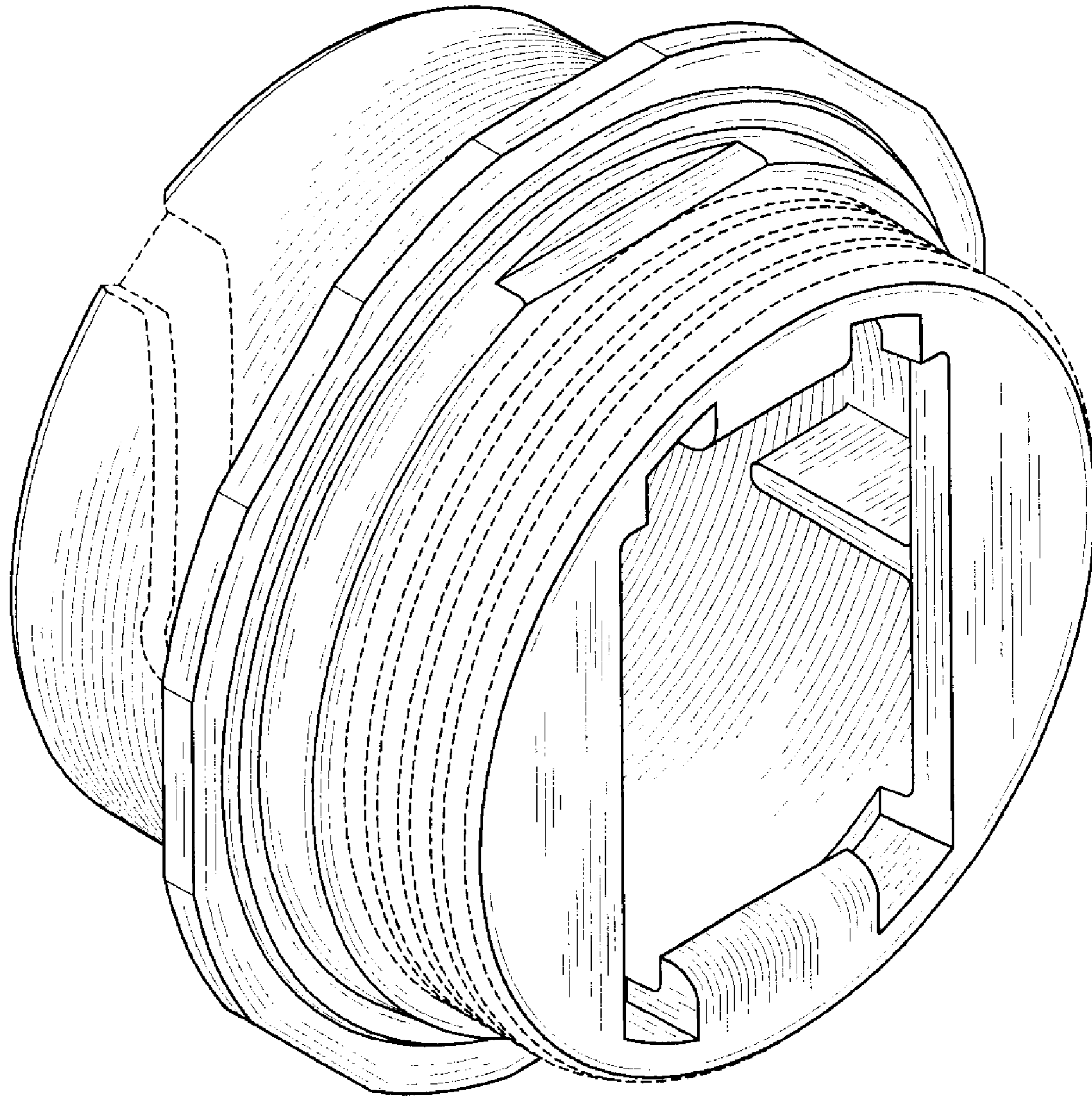
The broken lines are for illustrative purposes only and form no part of the claimed design.

**1 Claim, 4 Drawing Sheets**

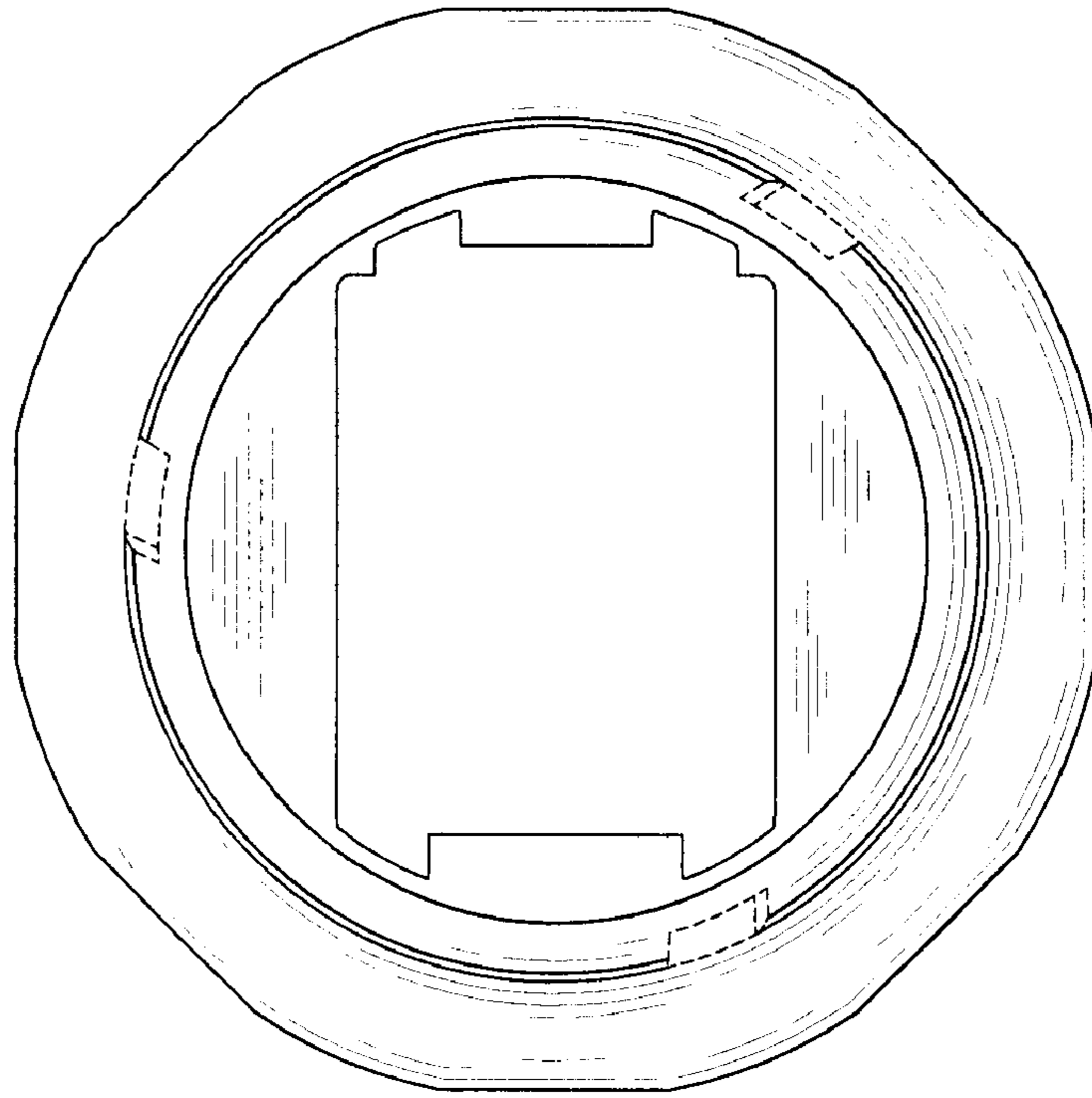




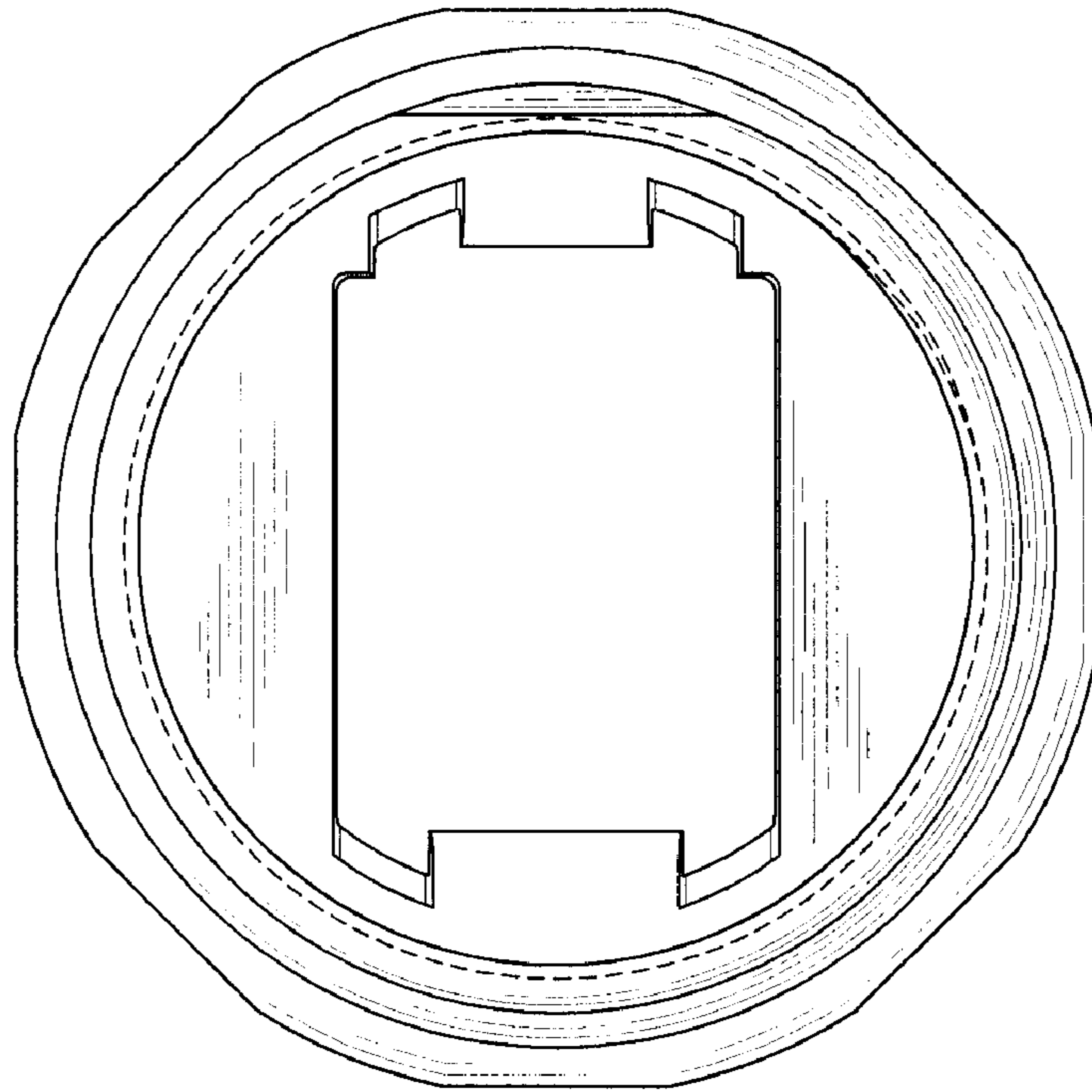
*Fig. 1*



*Fig. 2*

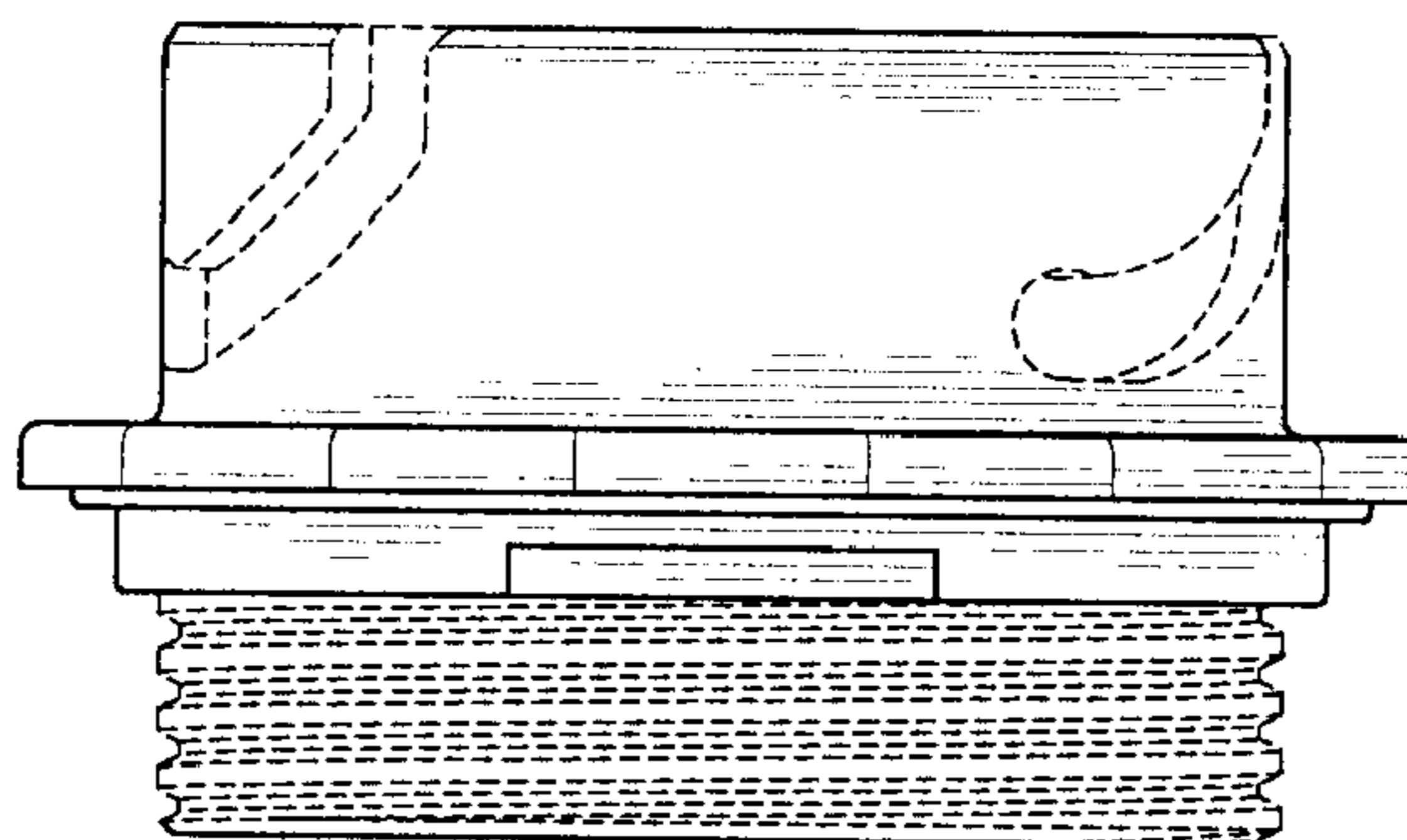


*Fig. 3*

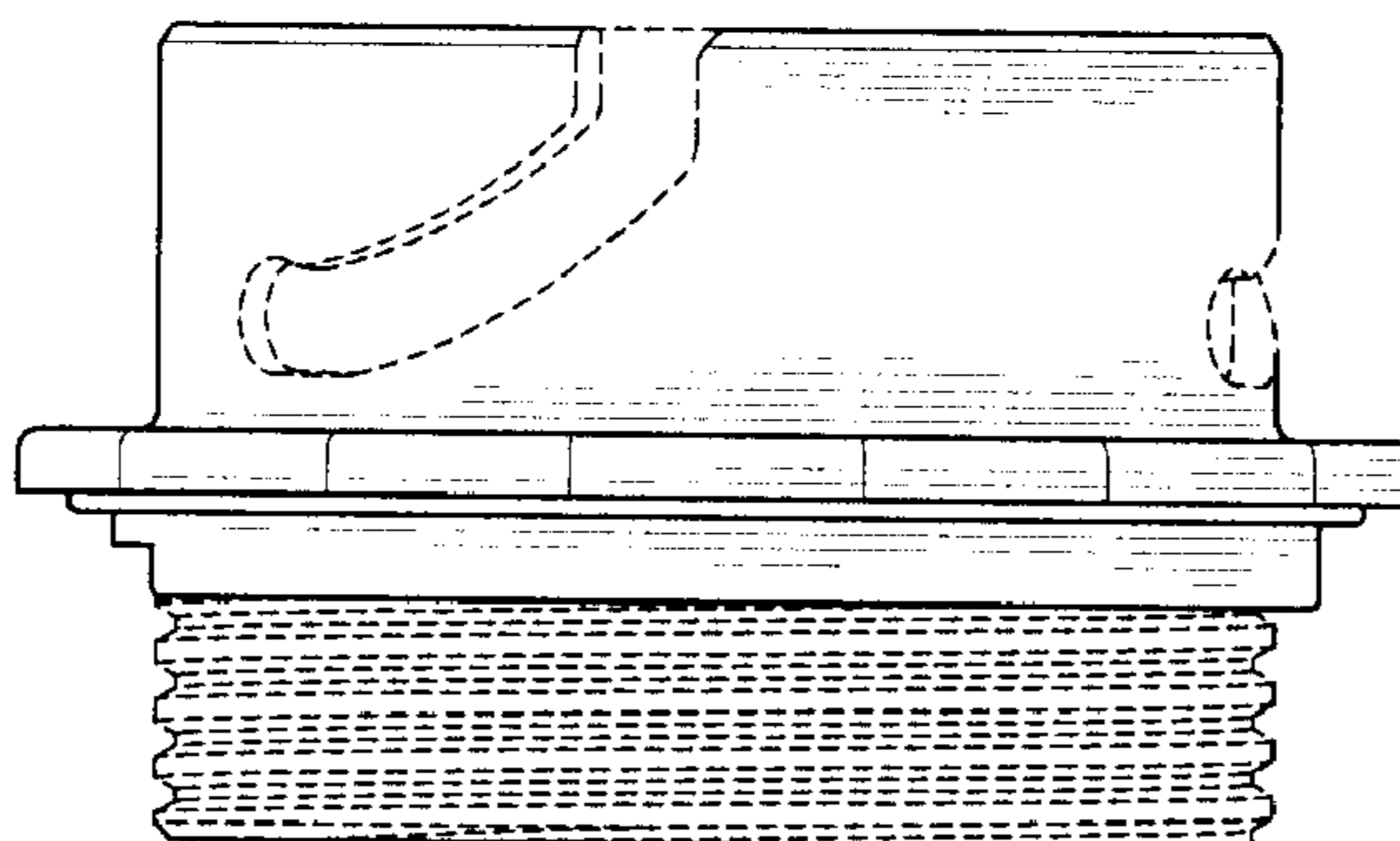


*Fig. 4*

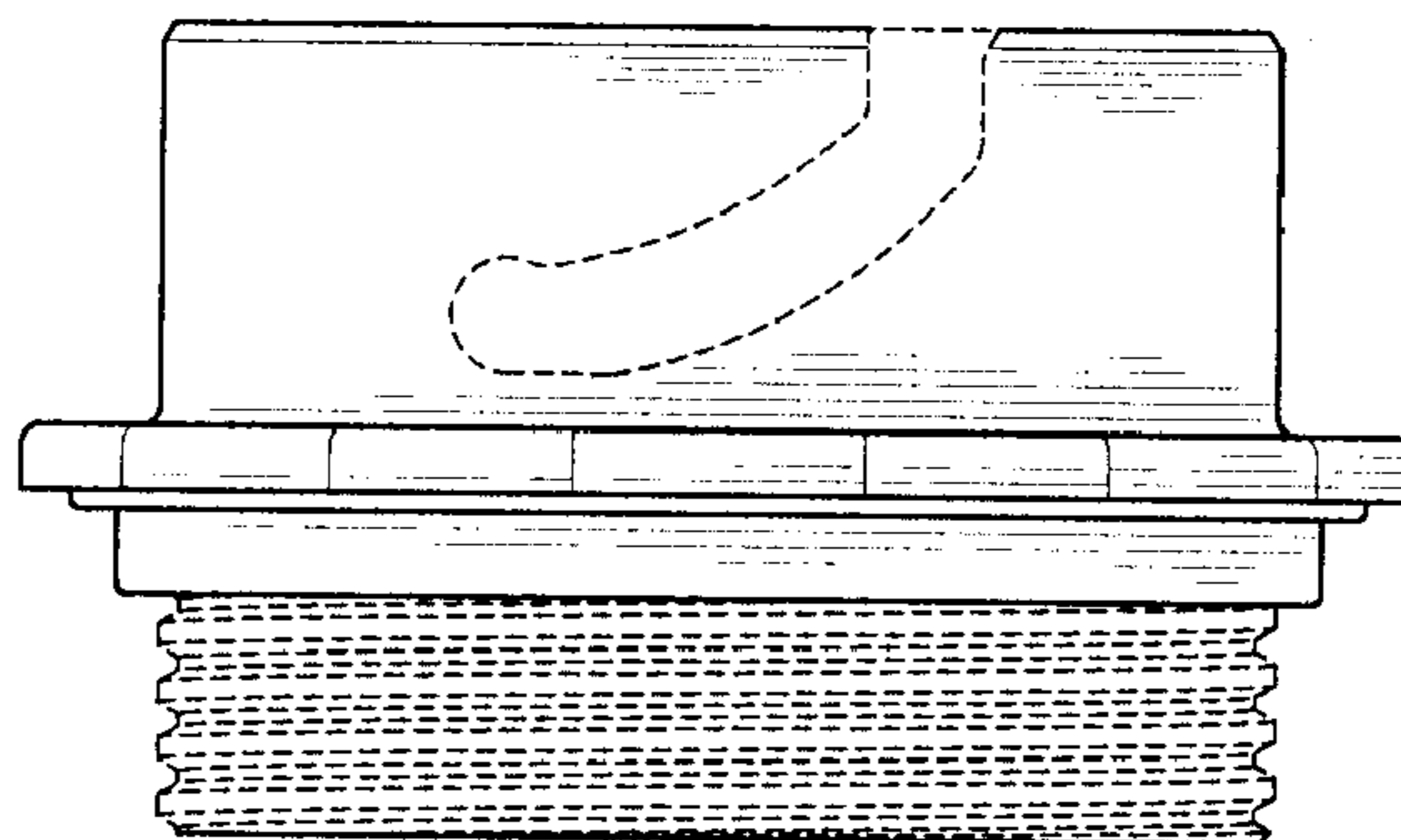
*Fig. 5*



*Fig. 6*



*Fig. 7*



*Fig. 8*

