

US00D543945S

(12) **United States Design Patent**
Ho et al.

(10) **Patent No.:** **US D543,945 S**

(45) **Date of Patent:** **** Jun. 5, 2007**

(54) **USB CONNECTOR**

(75) Inventors: **Hsin Tsung Ho**, Tu-Cheng (TW); **Yu Hung Su**, Tu-Cheng (TW); **Chung Tsin Huang**, Tu-Cheng (TW); **Mei Chuan Yang**, Tu-Cheng (TW)

(73) Assignee: **Cheng Uei Precision Industry Co., Ltd.**, Taipei Hsien (TW)

(**) Term: **14 Years**

(21) Appl. No.: **29/265,355**

(22) Filed: **Aug. 31, 2006**

(51) **LOC (8) Cl.** **13-03**

(52) **U.S. Cl.** **D13/147**

(58) **Field of Classification Search** D13/123,
D13/133, 146-147, 154, 184, 199; D14/356,
D14/432, 433, 435, 438; 439/350, 352, 357-358,
439/606-610, 660, 677, 680-682, 686, 936
See application file for complete search history.

(56) **References Cited**

U.S. PATENT DOCUMENTS

D416,540 S * 11/1999 Sato et al. D13/147
D432,500 S * 10/2000 Nishio et al. D13/147
D452,217 S * 12/2001 Shimojyo D13/147
6,508,678 B1 * 1/2003 Yang 439/677

D516,032 S * 2/2006 Suckle et al. D13/147
D516,037 S * 2/2006 Huang et al. D13/147
D520,955 S * 5/2006 Huang D13/147
2005/0282424 A1 * 12/2005 Huang et al. 439/353

* cited by examiner

Primary Examiner—Daniel Bui

(74) *Attorney, Agent, or Firm*—Rosenberg, Klein & Lee

(57) **CLAIM**

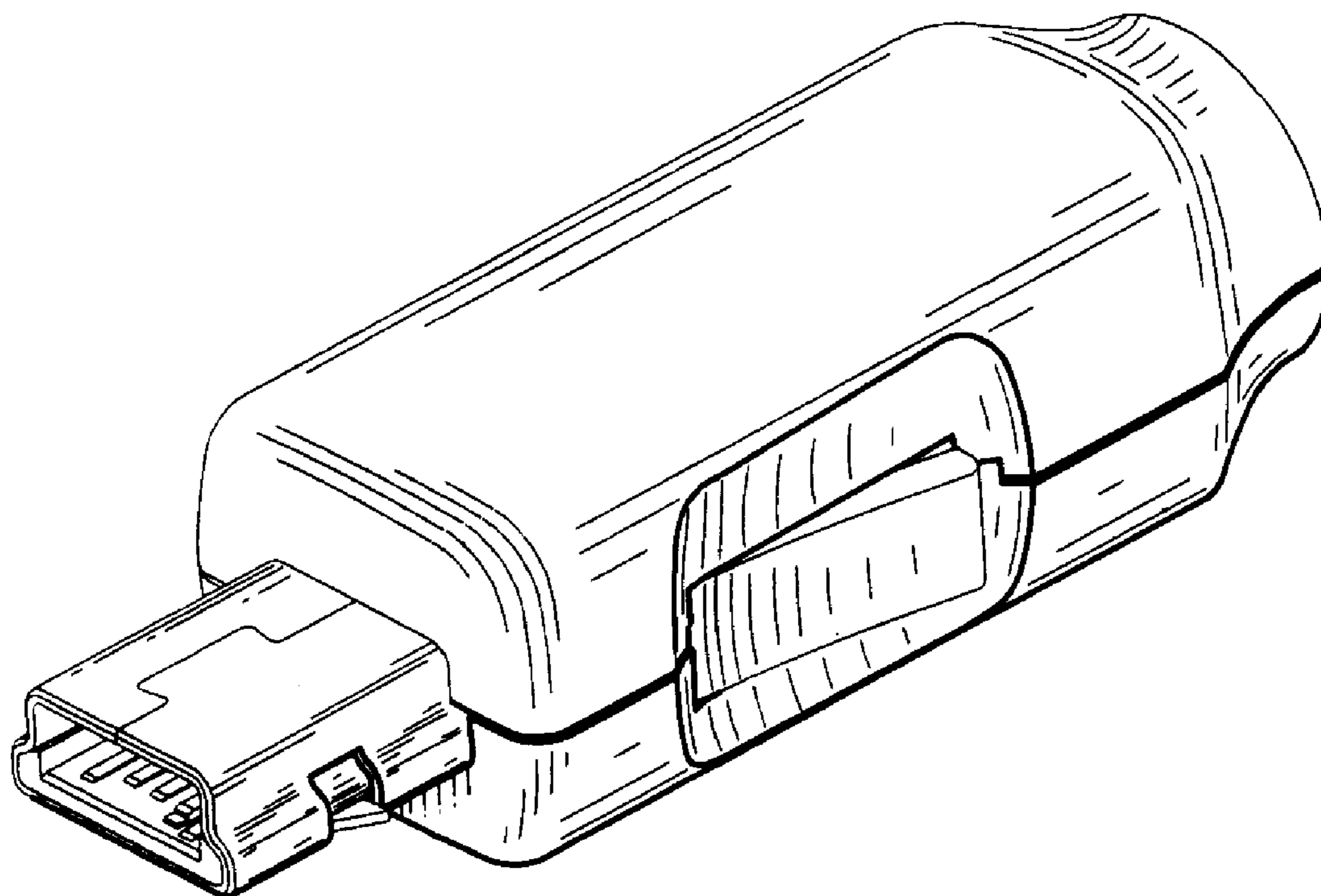
The ornamental design for a USB connector, as shown and described.

DESCRIPTION

FIG. 1 is a front, top and right side perspective view of a USB connector, showing our new design;
FIG. 2 is a front elevational view thereof;
FIG. 3 is a rear elevational view thereof;
FIG. 4 is a left side elevational view thereof;
FIG. 5 is a right side elevational view thereof;
FIG. 6 is a top plan view thereof; and,
FIG. 7 is a bottom plan view thereof.

The broken line showing of the environment is for illustrative purposes only and forms no part of the claimed design.

1 Claim, 7 Drawing Sheets



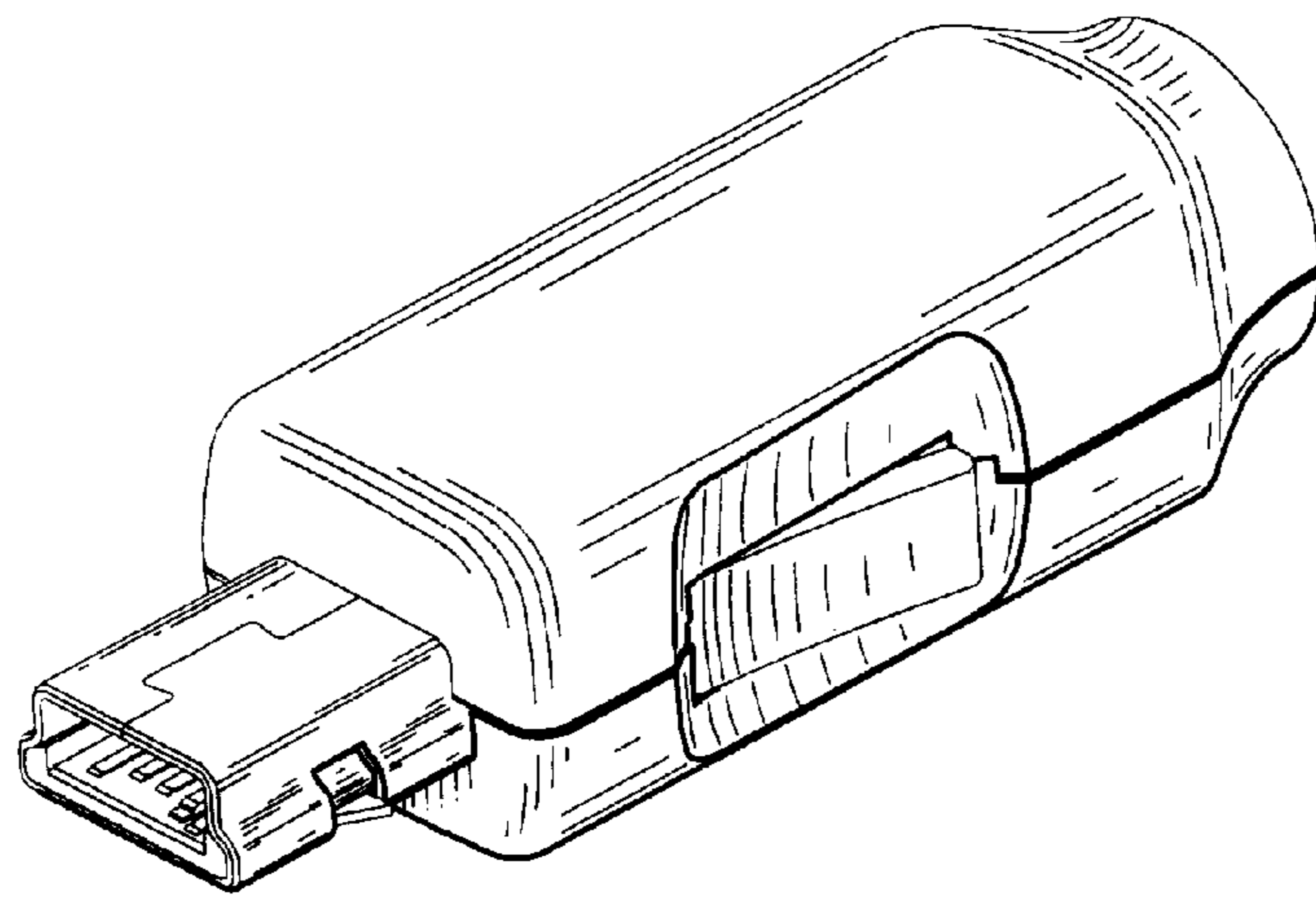


FIG. 1

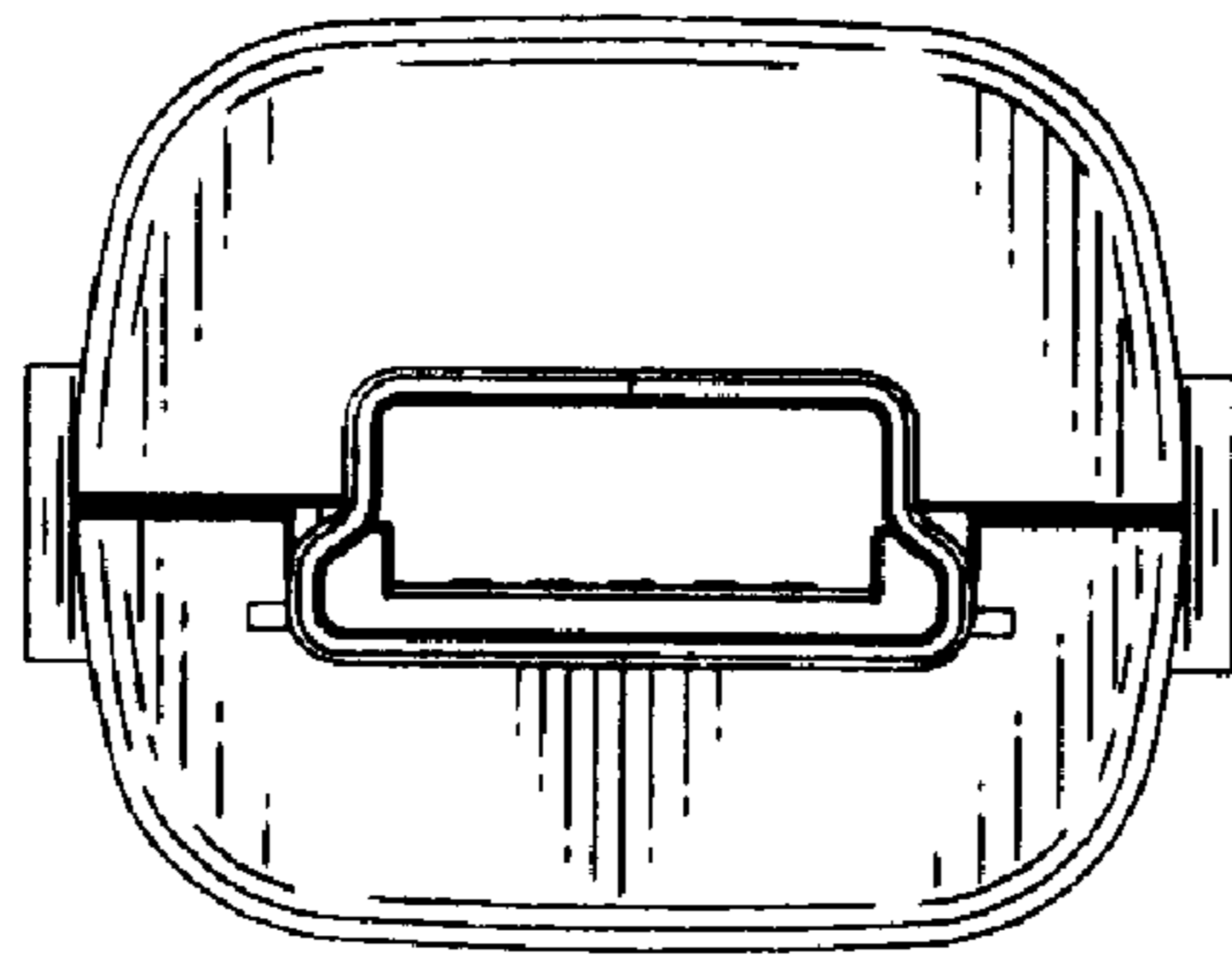


FIG. 2

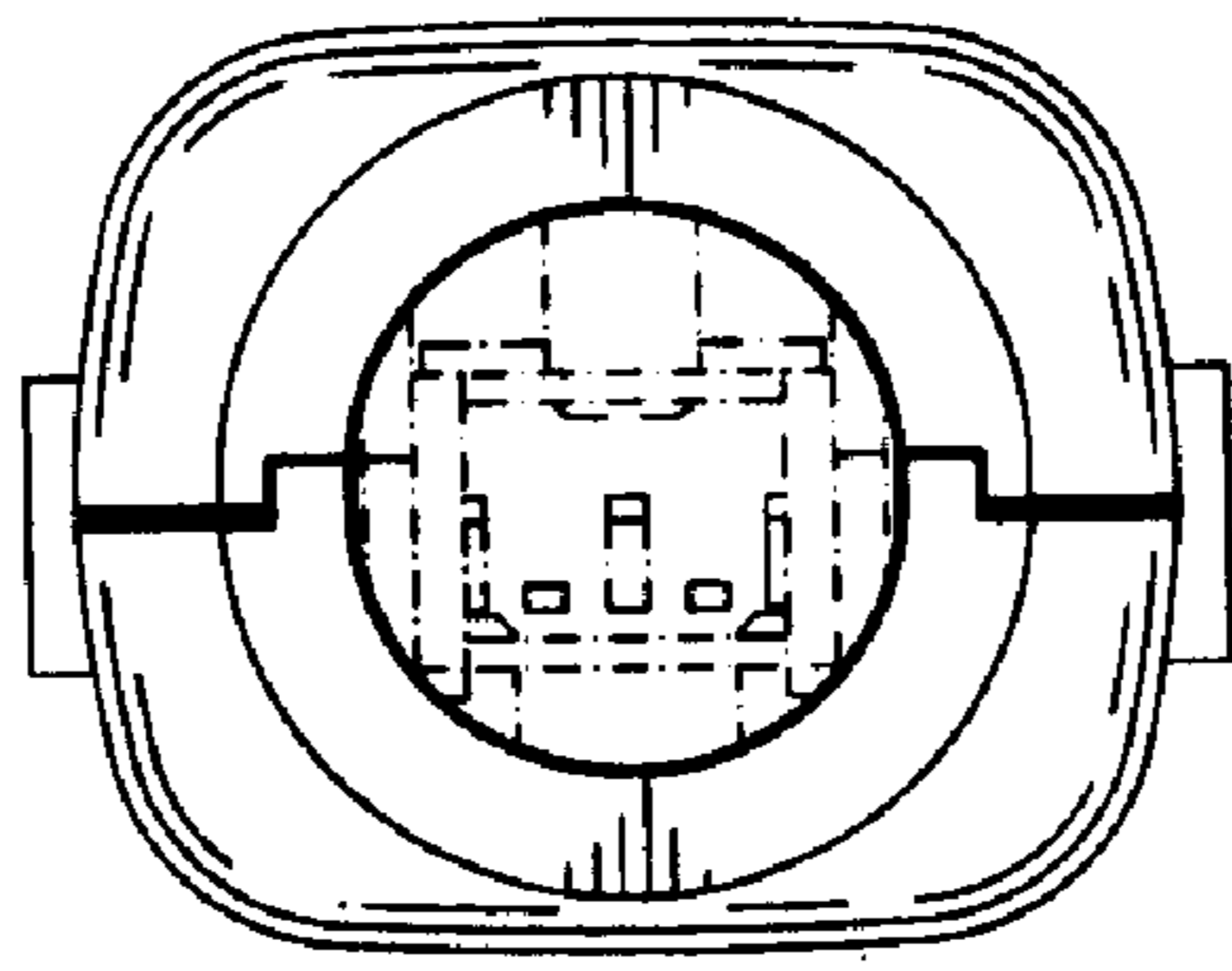


FIG. 3

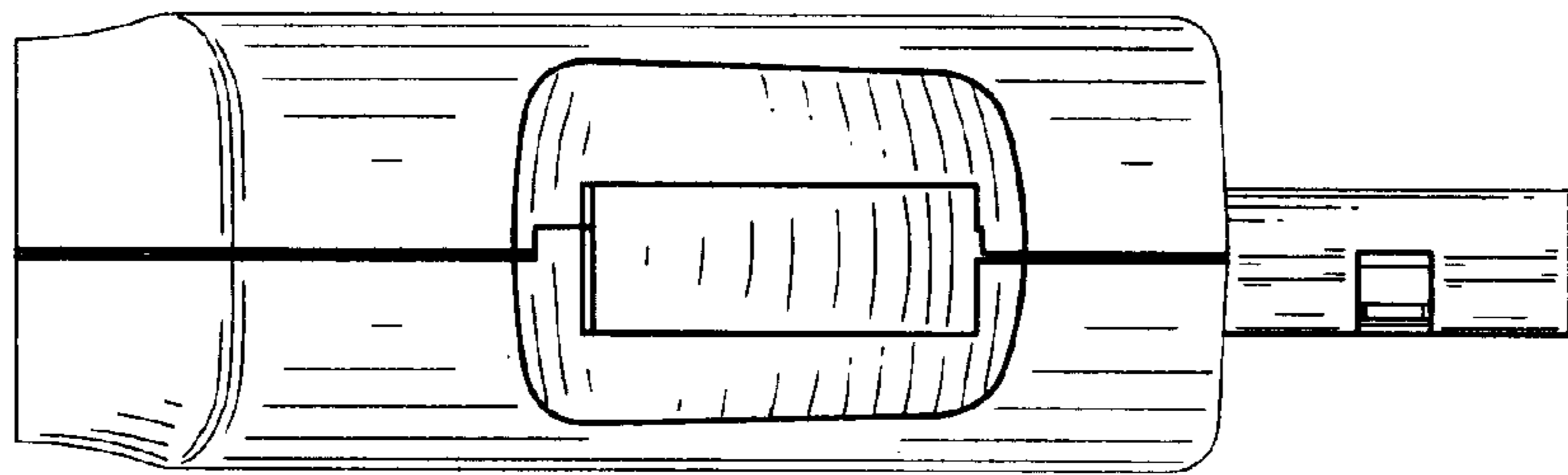


FIG. 4

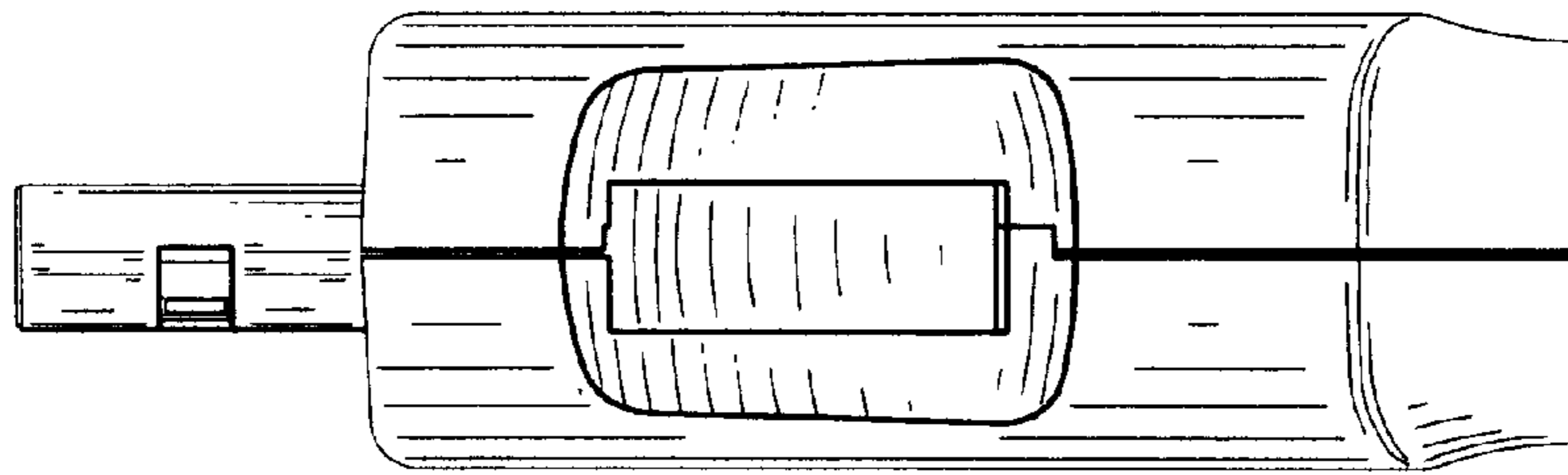


FIG. 5

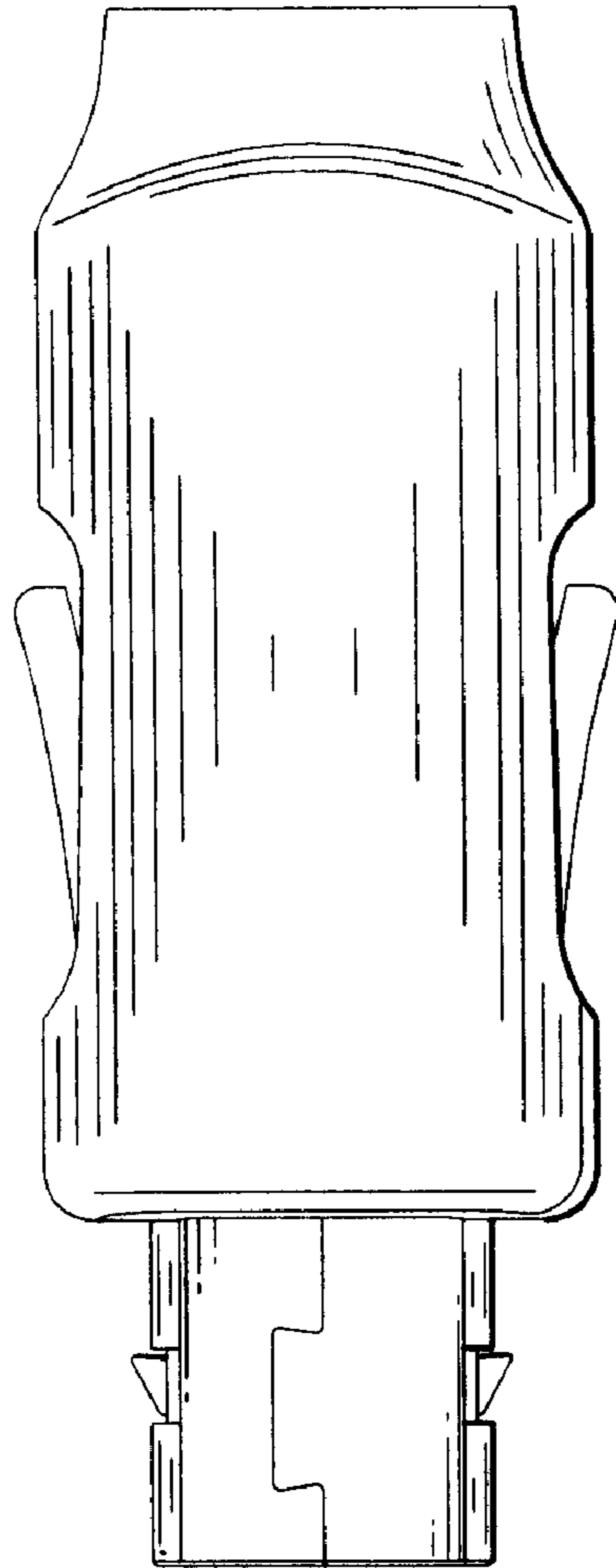


FIG. 6

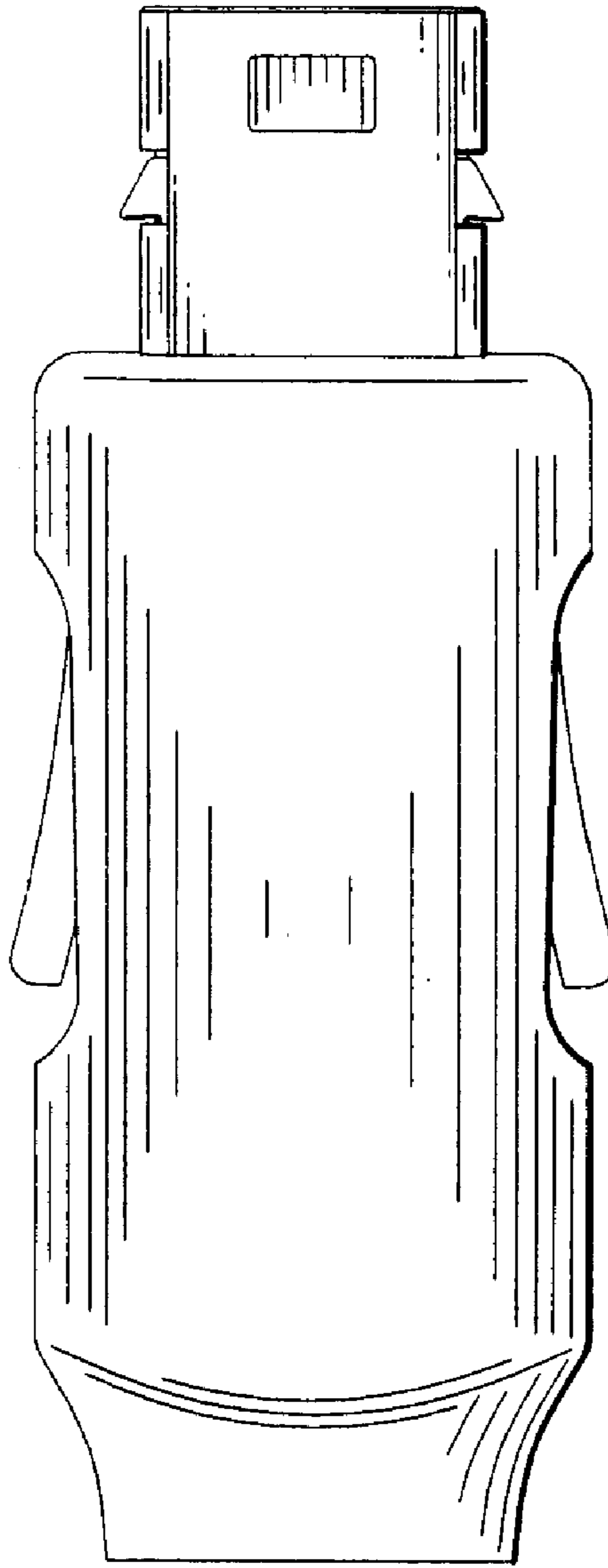


FIG. 7