

US00D543944S

(12) **United States Design Patent**  
**Yamada et al.**

(10) **Patent No.:** **US D543,944 S**

(45) **Date of Patent:** **\*\* Jun. 5, 2007**

(54) **ELECTRIC CONNECTOR**

(75) Inventors: **Akio Yamada**, Utsunomiya (JP);  
**Kazuyuki Ozai**, Yuki (JP); **Shinya**  
**Ishizuka**, Utsunomiya (JP); **Hirokazu**  
**Takahashi**, Tochigi (JP)

(73) Assignee: **DDK Ltd.**, Tokyo (JP)

(\*\*) Term: **14 Years**

(21) Appl. No.: **29/264,852**

(22) Filed: **Aug. 18, 2006**

(30) **Foreign Application Priority Data**

Feb. 22, 2006 (JP) ..... D2006-004043

(51) **LOC (8) Cl.** ..... **13-03**

(52) **U.S. Cl.** ..... **D13/147**

(58) **Field of Classification Search** ..... D13/133,  
D13/146-147, 149, 154, 184; D14/432-436,  
D14/438; 439/64, 79, 260, 325, 329, 395,  
439/492, 495, 607-610, 629-631

See application file for complete search history.

(56) **References Cited**

**U.S. PATENT DOCUMENTS**

5,443,403 A \* 8/1995 Weidler et al. .... 439/701  
6,634,894 B1 \* 10/2003 Ko ..... 439/108  
D485,532 S \* 1/2004 Lai ..... D13/147  
6,821,149 B2 \* 11/2004 Lai ..... 439/607  
D500,741 S \* 1/2005 Fan ..... D14/147

D508,023 S \* 8/2005 Obikane et al. .... D13/147  
D517,495 S \* 3/2006 Fan ..... D13/147

\* cited by examiner

*Primary Examiner*—Daniel Bui  
(74) *Attorney, Agent, or Firm*—Sughrue Mion, PLLC; Pavel  
Pogodin, Esq.

(57) **CLAIM**

The ornamental design for an electric connector, as shown  
and described.

**DESCRIPTION**

FIG. 1 is a first perspective view of an electric connector,  
showing our new design;

FIG. 2 is a second perspective view thereof;

FIG. 3 is a third perspective view thereof;

FIG. 4 is a fourth perspective view thereof;

FIG. 5 is a rear view thereof;

FIG. 6 is a front view thereof;

FIG. 7 is a left side view thereof;

FIG. 8 is a right side view thereof;

FIG. 9 is a top plan view thereof; and,

FIG. 10 is a bottom view thereof.

The broken lines shown in the views are for illustrative  
purpose only and form no part of claimed design.

**1 Claim, 4 Drawing Sheets**

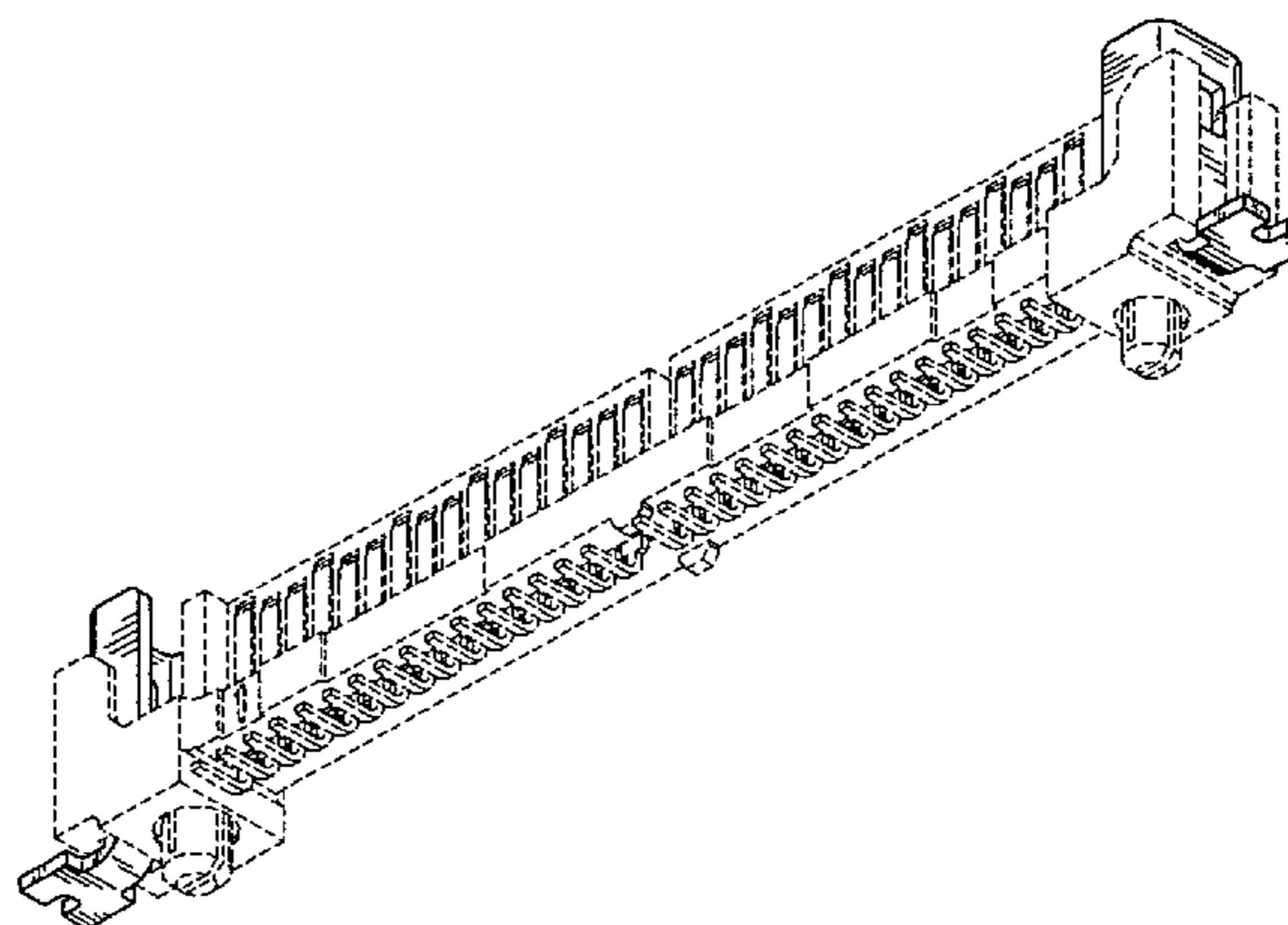
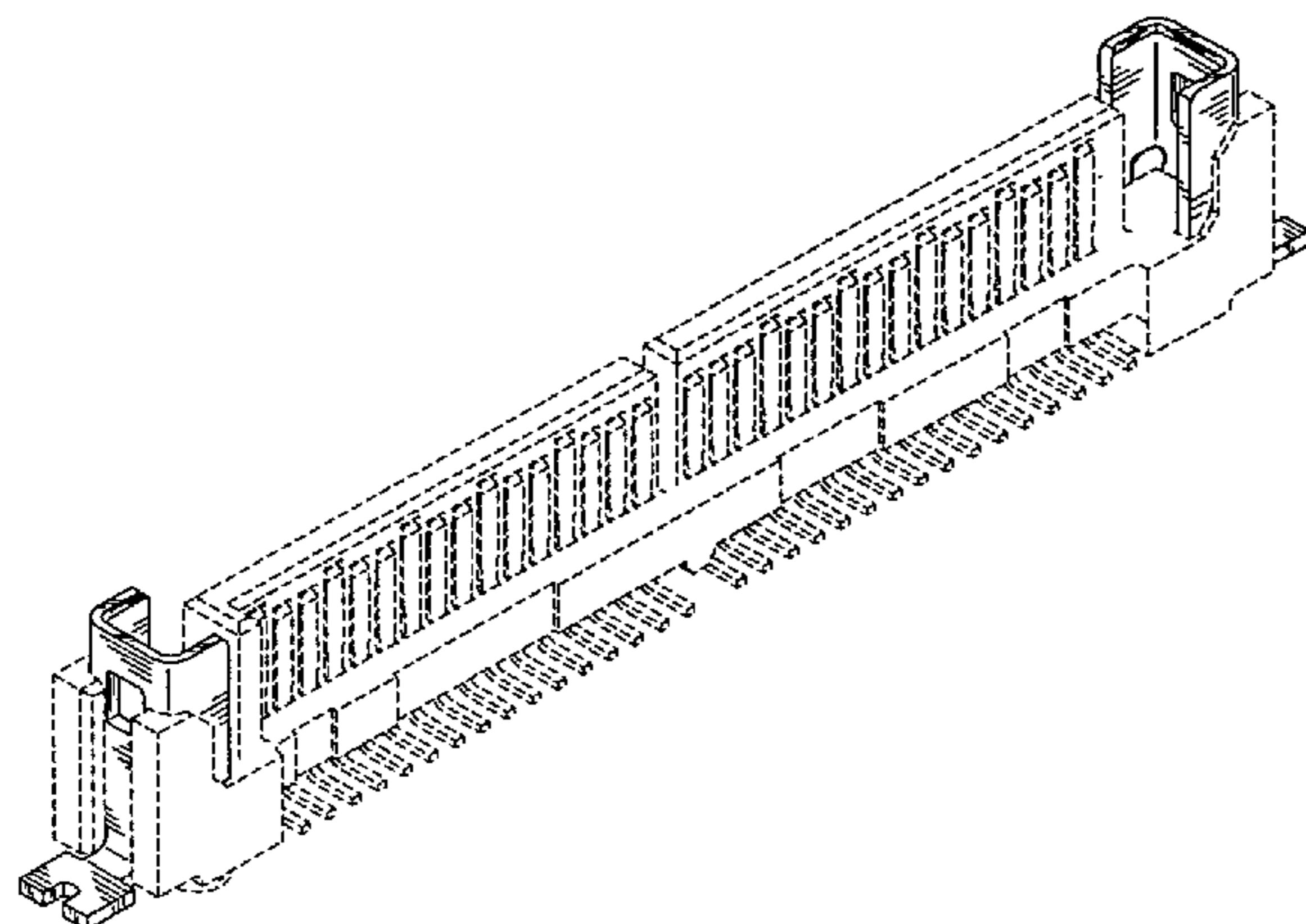


Fig.1

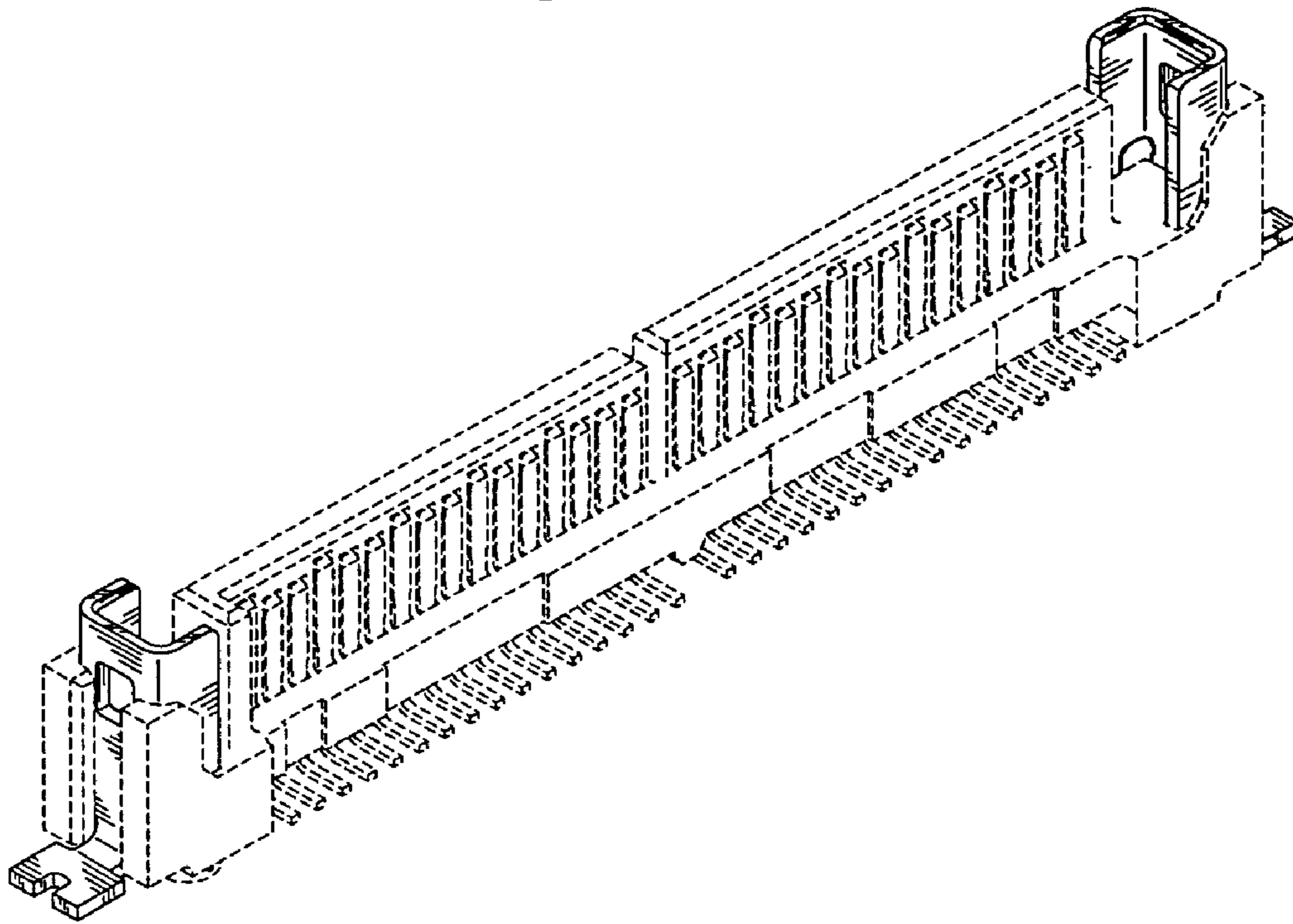


Fig.2

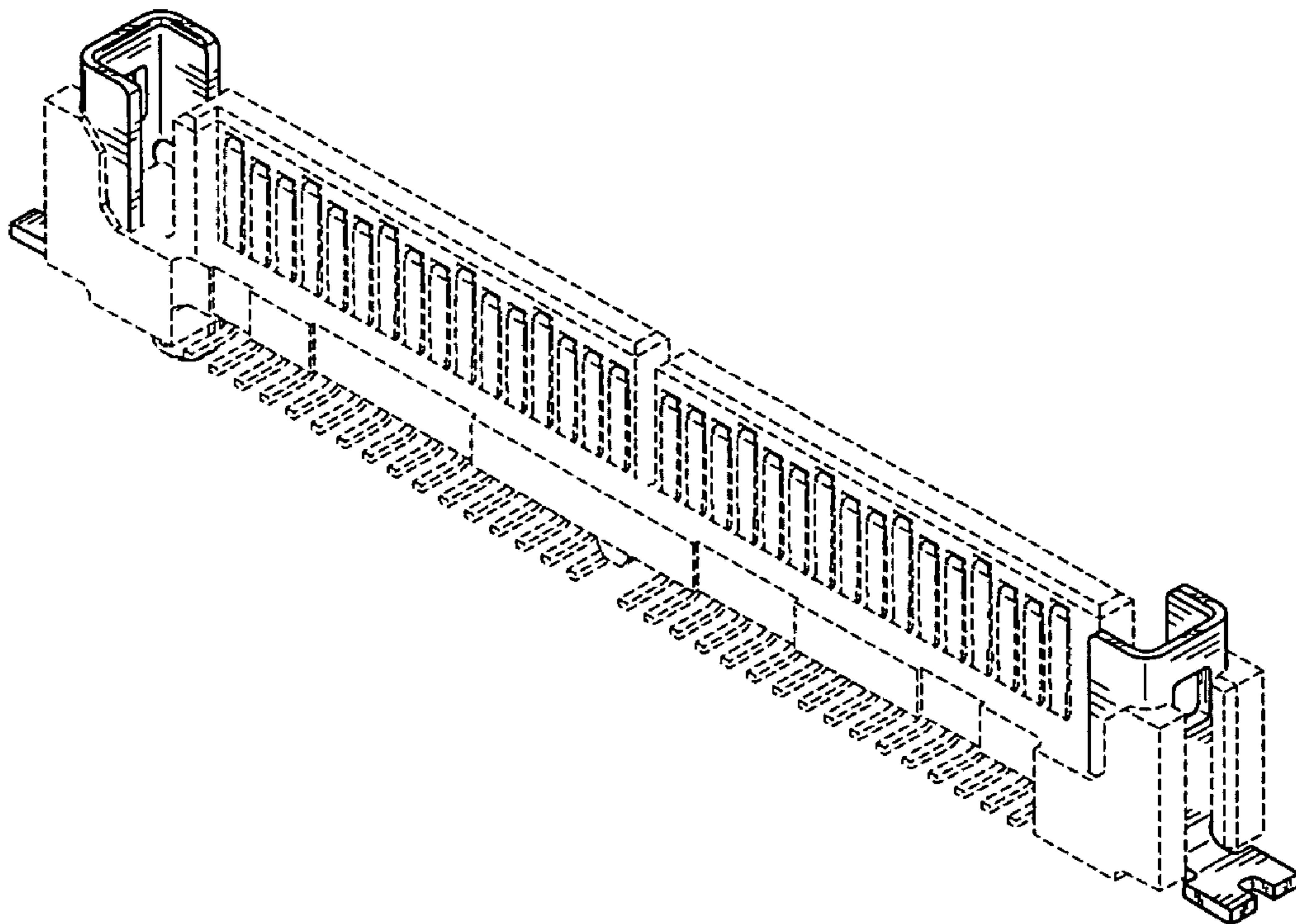


Fig.3

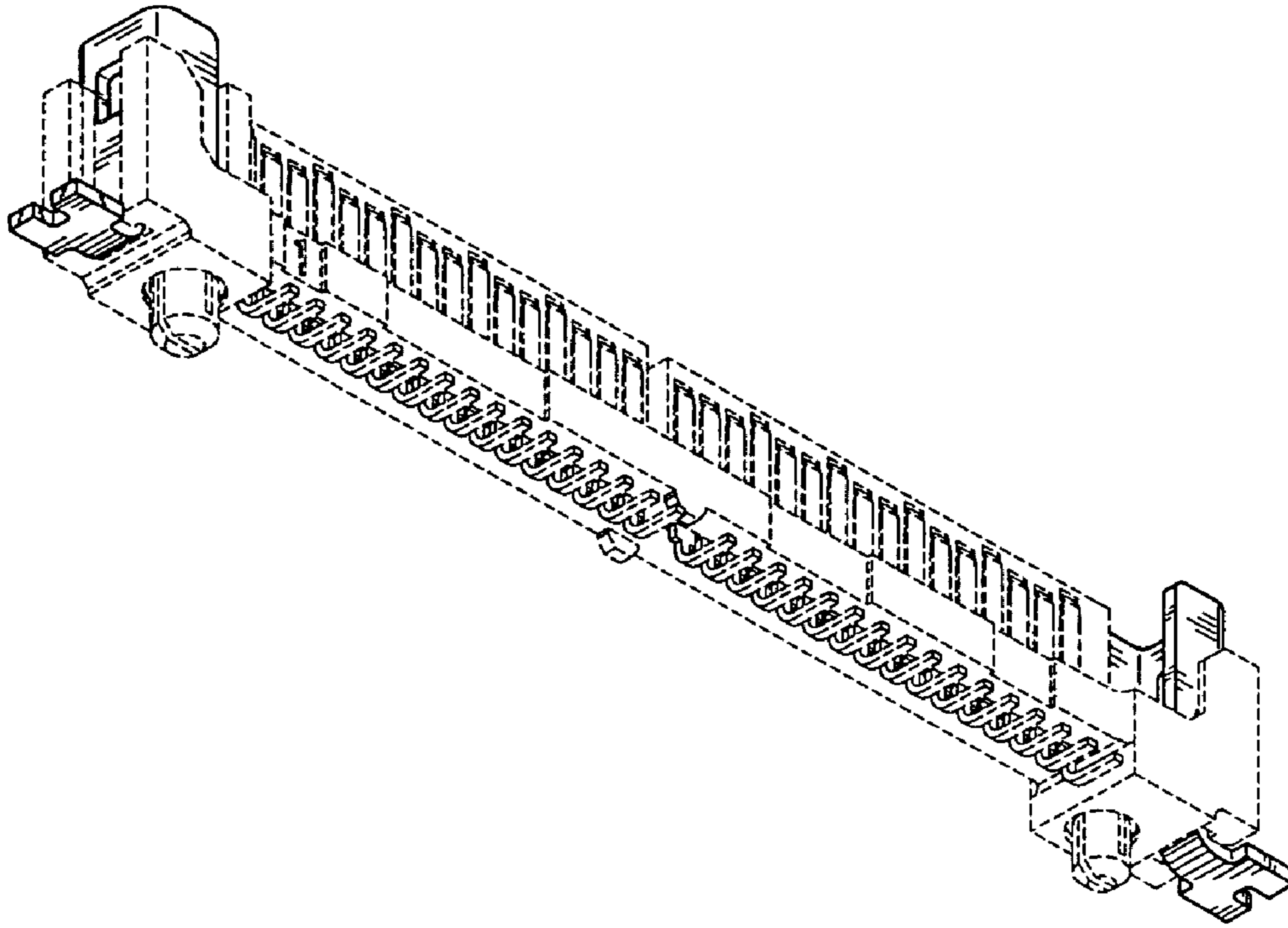


Fig.4

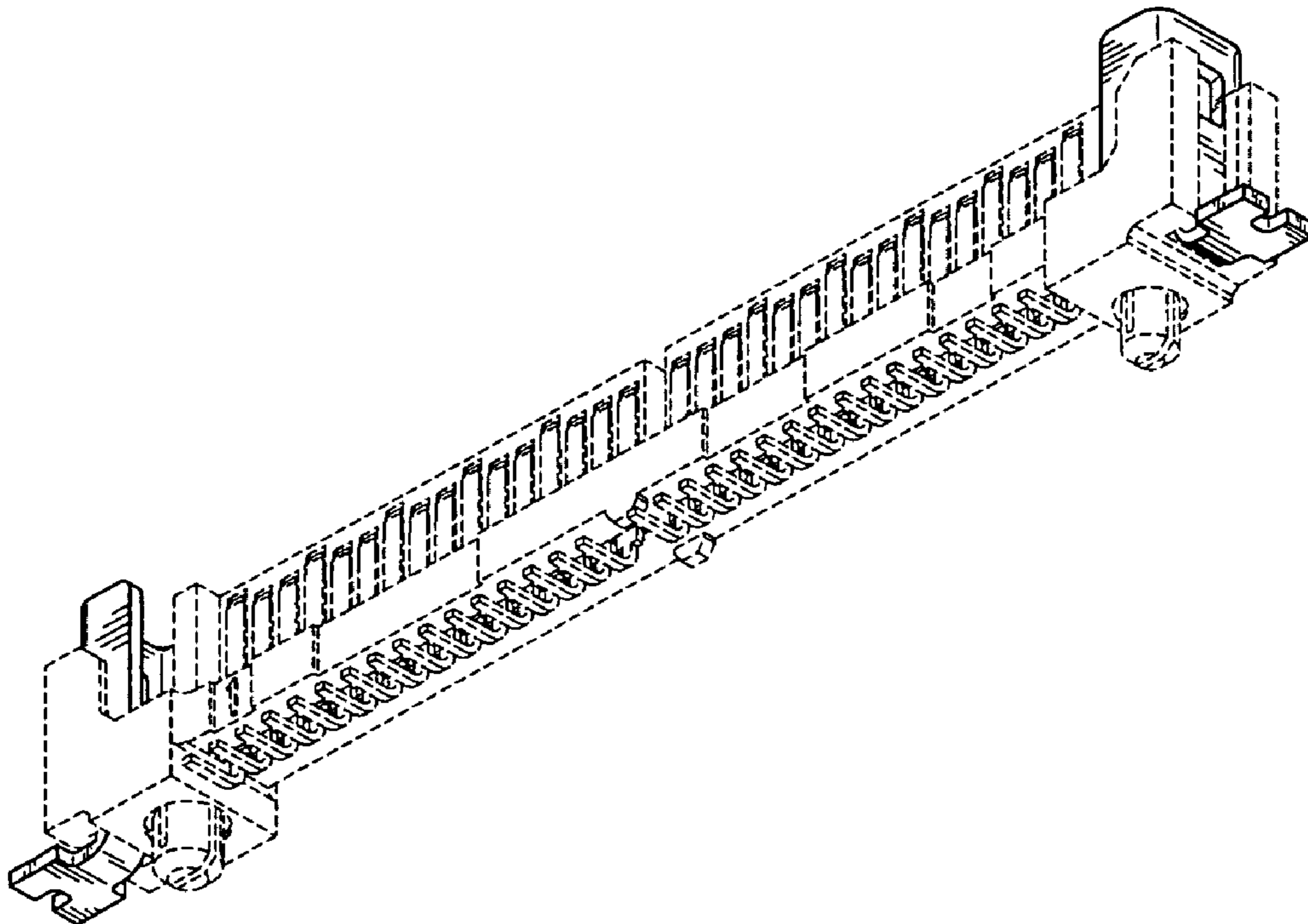


Fig.5

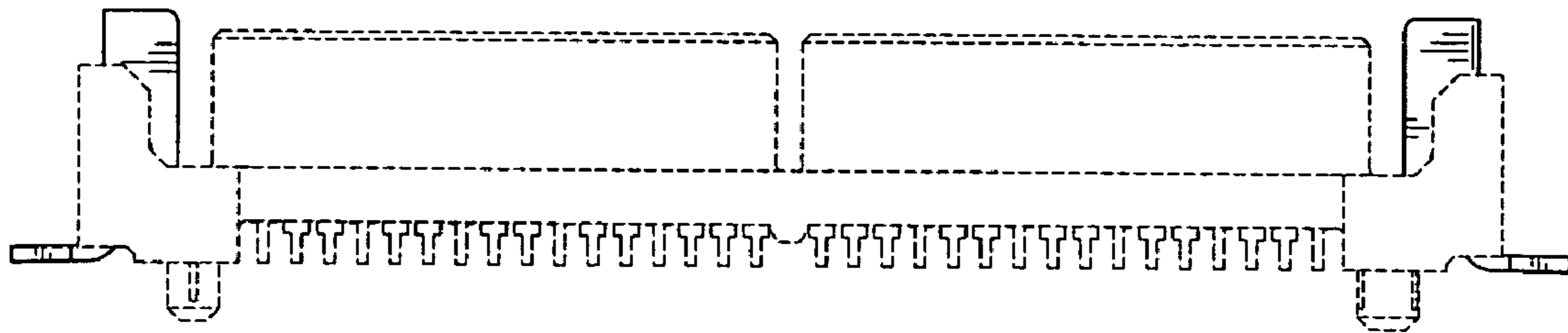


Fig.6

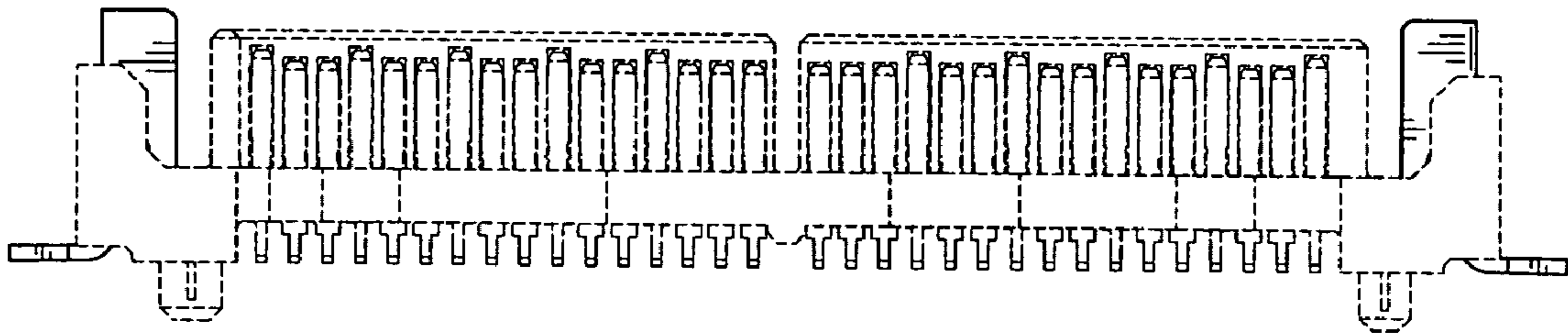


Fig.7



Fig.8

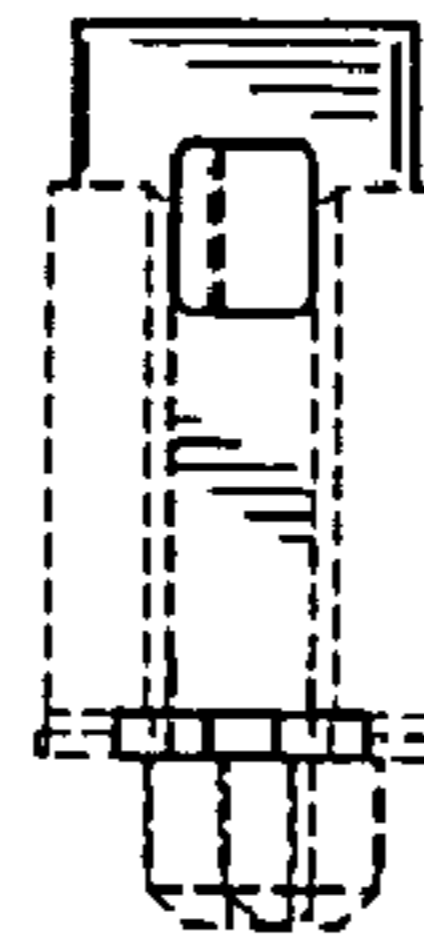


Fig.9

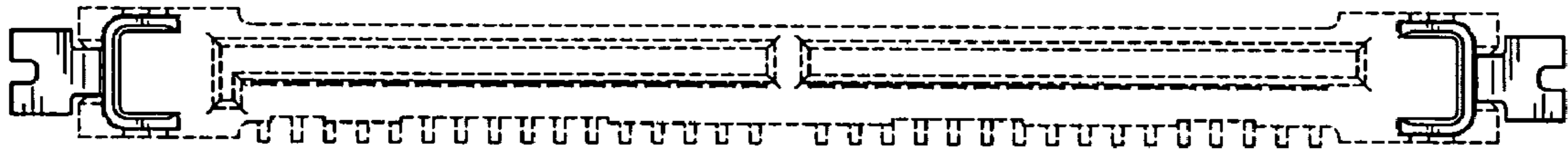


Fig.10

