

US00D543943S

(12) **United States Design Patent**
Sugita et al.

(10) **Patent No.:** **US D543,943 S**

(45) **Date of Patent:** **** Jun. 5, 2007**

(54) **ELECTRICAL CONNECTOR HOUSING**

(75) Inventors: **Takashi Sugita**, Yokkaichi (JP);
Hiroshi Kobayashi, Toyota (JP);
Yoshirou Kakuda, Toyota (JP)

(73) Assignee: **Sumitomo Wiring Systems, Ltd.** (JP)

(**) Term: **14 Years**

(21) Appl. No.: **29/247,881**

(22) Filed: **Jul. 18, 2006**

(30) **Foreign Application Priority Data**

Jan. 20, 2006 (JP) 2006-001182

(51) **LOC (8) Cl.** **13-03**

(52) **U.S. Cl.** **D13/147**

(58) **Field of Classification Search** D13/133,
D13/146-147, 154, 184, 199; 439/135, 157,
439/180, 266, 270, 278, 328, 374, 483, 476.1,
439/752.5, 816, 892, 940

See application file for complete search history.

(56) **References Cited**

U.S. PATENT DOCUMENTS

D196,111 S * 8/1963 Krehbiel D13/147
4,921,448 A * 5/1990 Endo et al. 439/595
D315,331 S * 3/1991 Yamamoto D13/146

5,425,650 A * 6/1995 Maeda 439/374
D429,690 S * 8/2000 Fristedt D13/146
D432,498 S * 10/2000 Kuroda D13/133
D479,199 S * 9/2003 Jones et al. D13/147
D518,436 S * 4/2006 Kurasaki D13/133
D529,444 S * 10/2006 Kudo D13/147

* cited by examiner

Primary Examiner—Daniel Bui

(74) *Attorney, Agent, or Firm*—Akerman Senterfitt

(57) **CLAIM**

The ornamental design for an electrical connector housing,
as shown and described.

DESCRIPTION

FIG. 1 is a front perspective view of an electrical connector housing showing our new design;

FIG. 2 is a front elevation view thereof;

FIG. 3 is a rear elevation view thereof;

FIG. 4 is a top plan view thereof;

FIG. 5 is a bottom plan view thereof;

FIG. 6 is a right side elevation view thereof, left side elevational view being a mirror image thereof; and,

FIG. 7 is a front perspective view thereof.

1 Claim, 4 Drawing Sheets

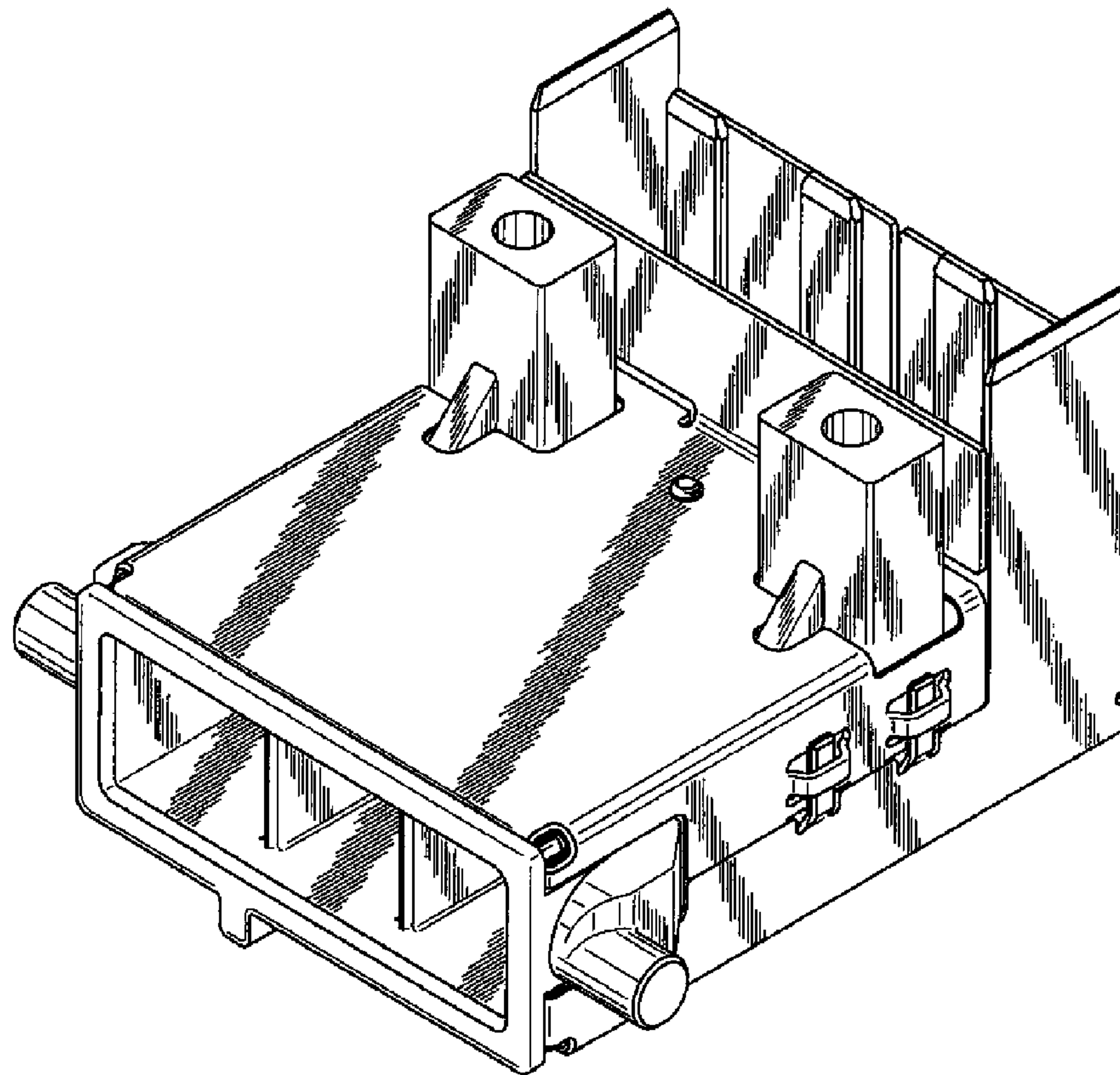


FIG. 1

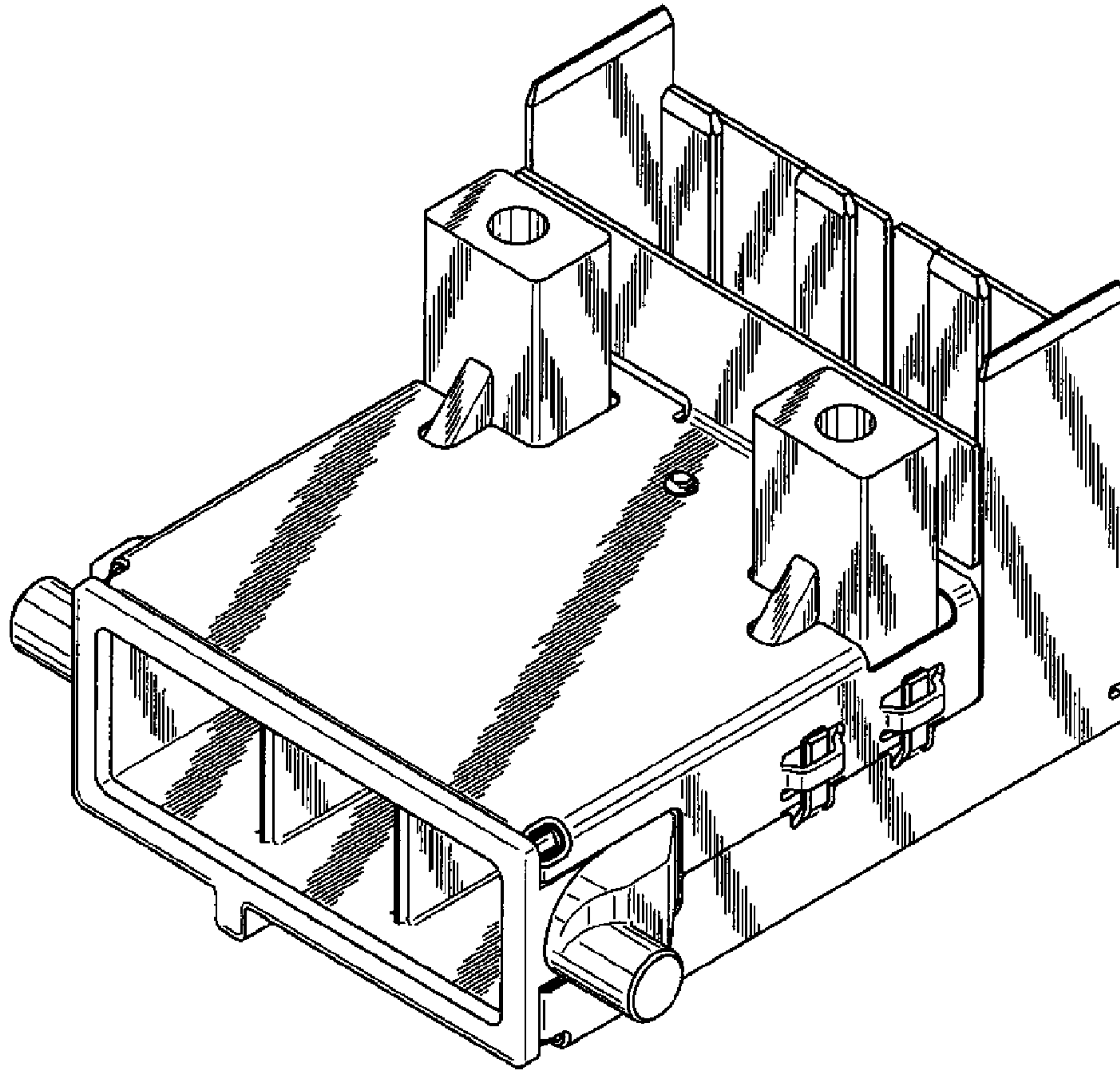


FIG. 2

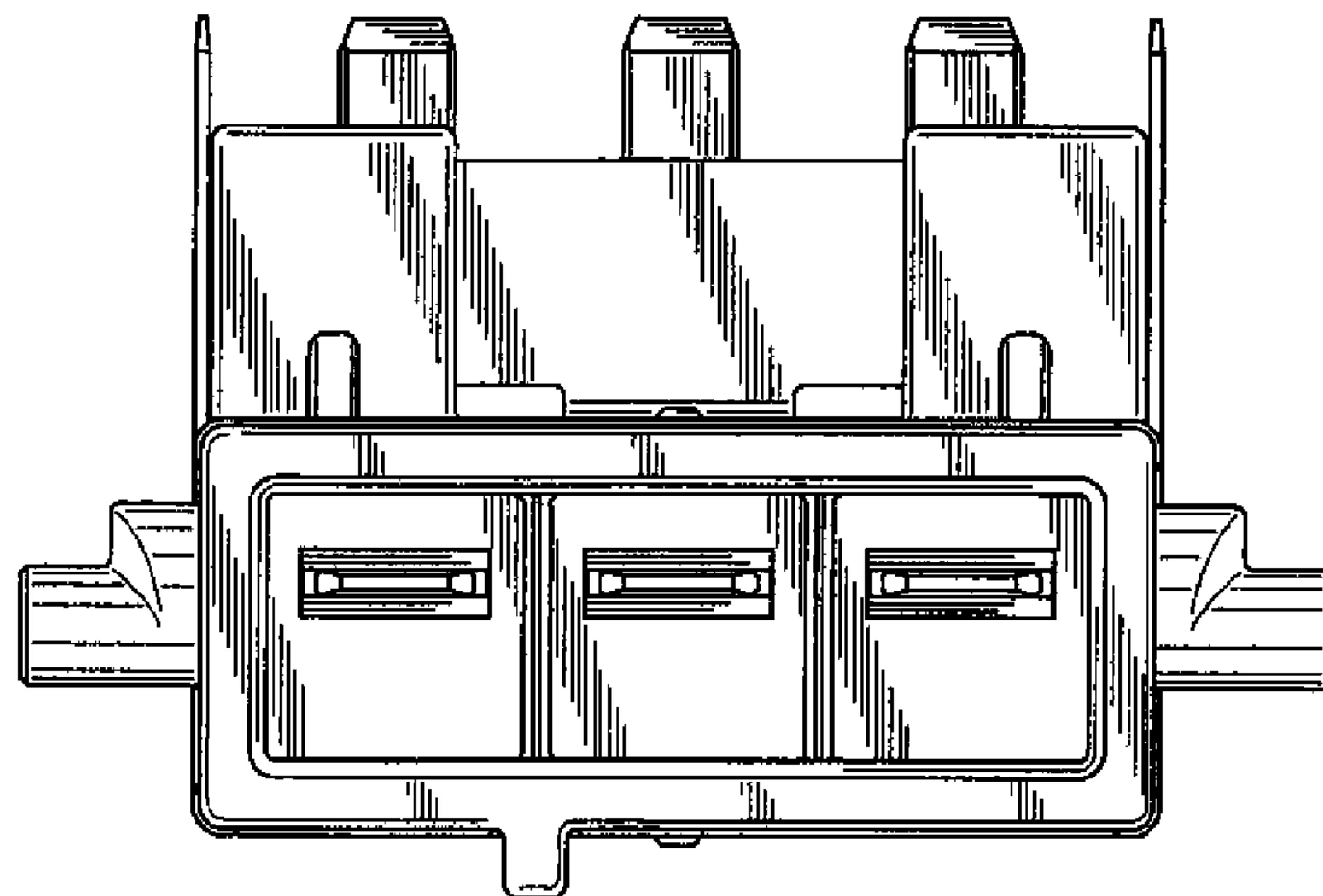


FIG. 3

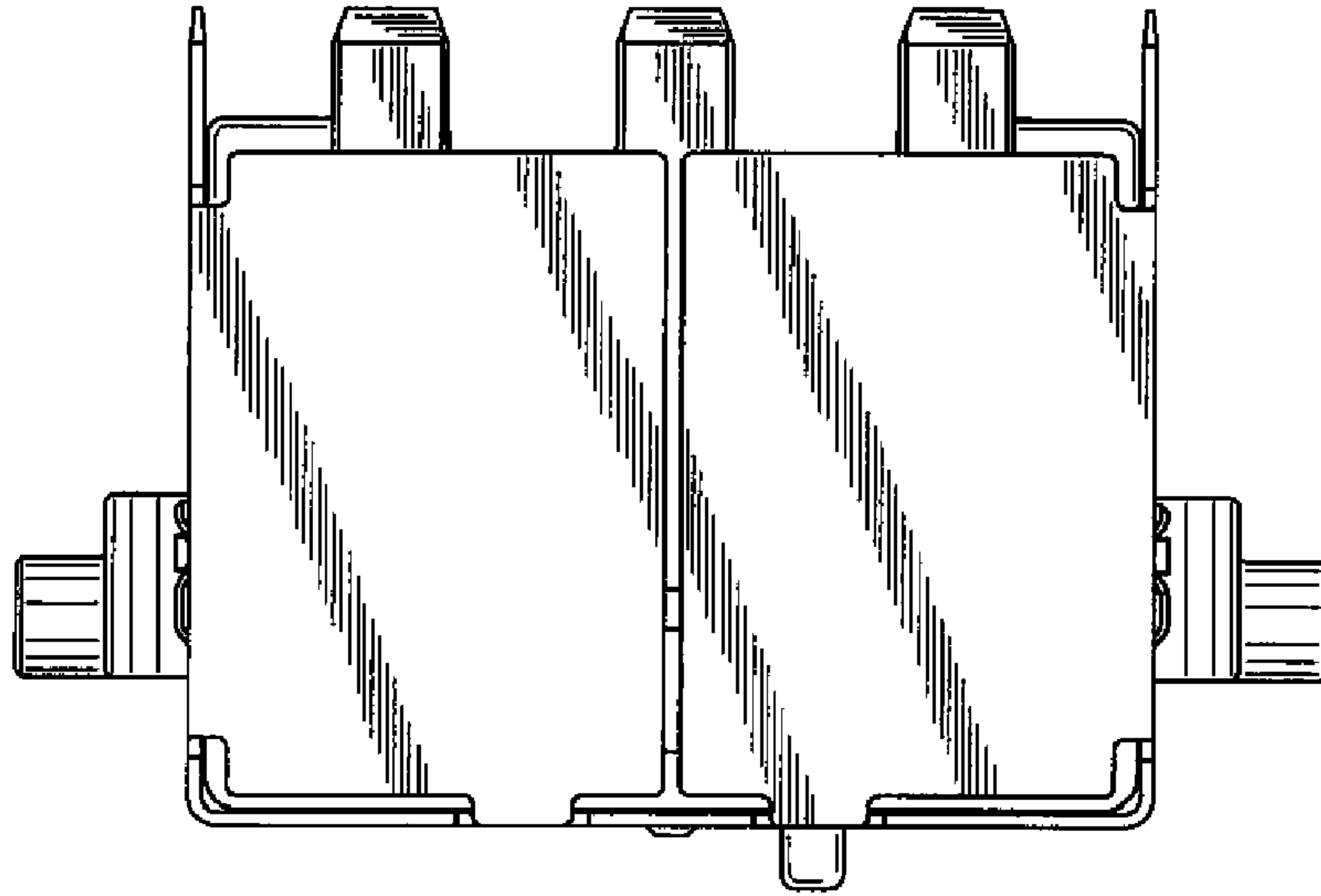


FIG. 4

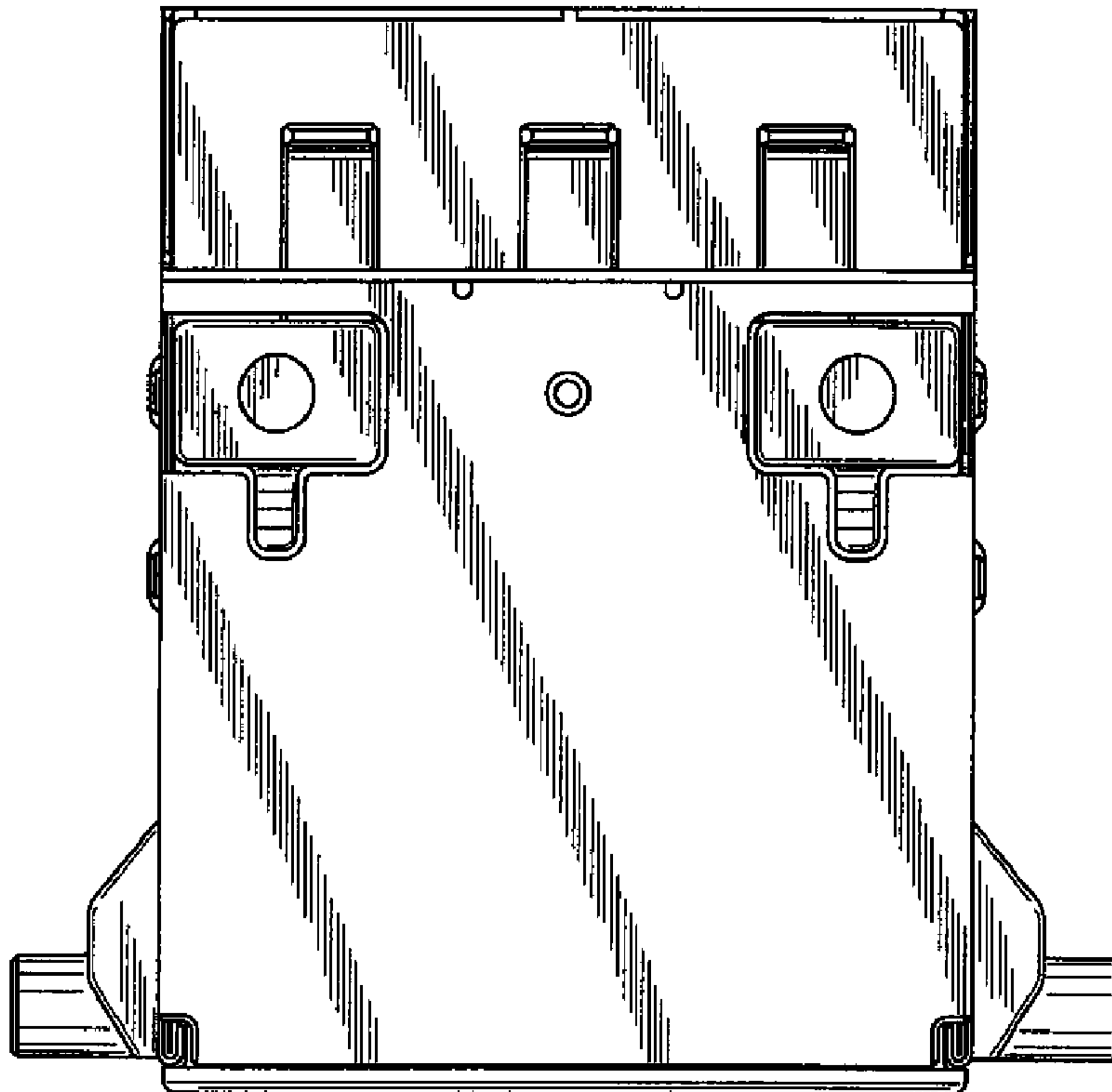


FIG. 5

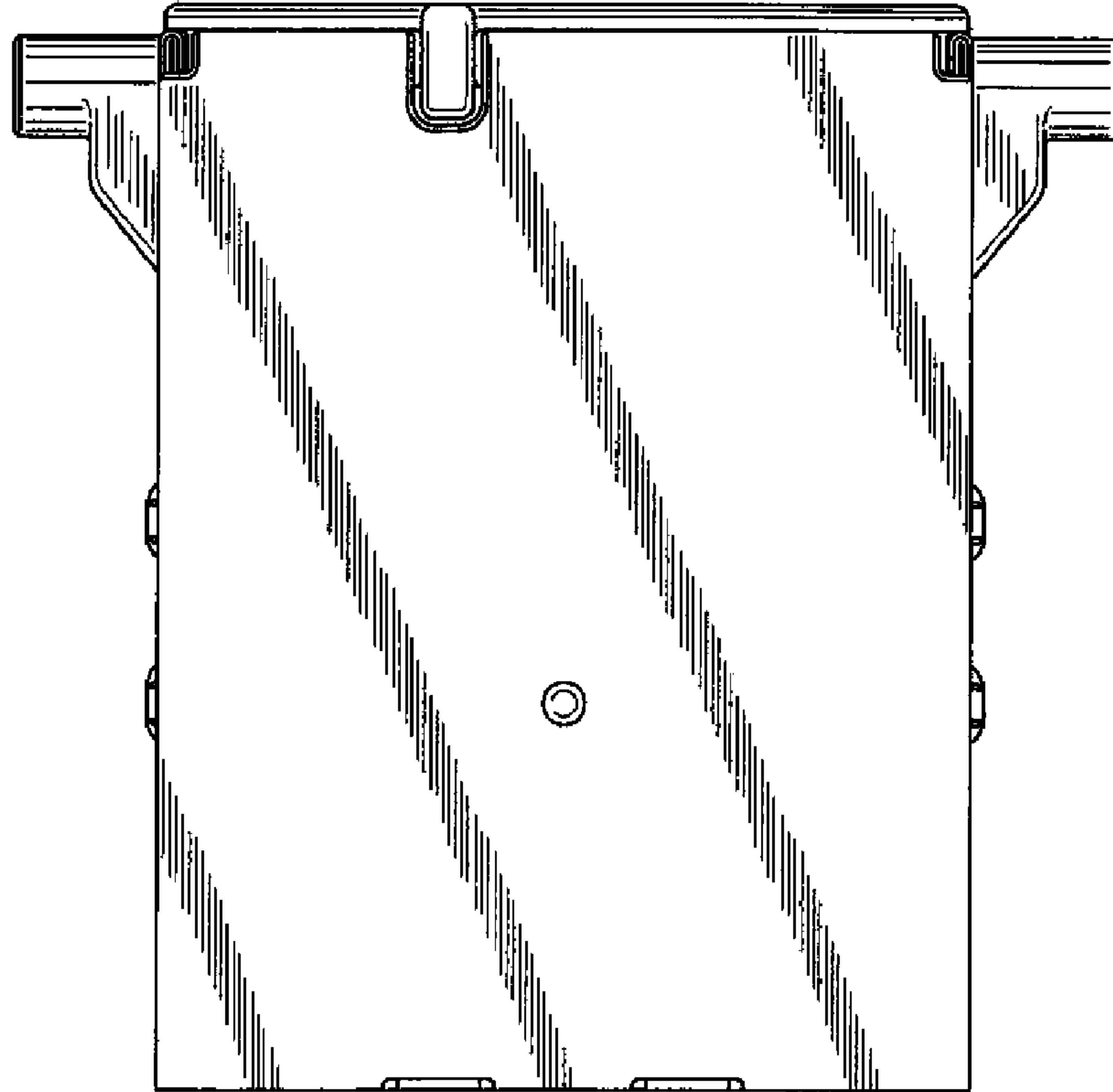


FIG. 6

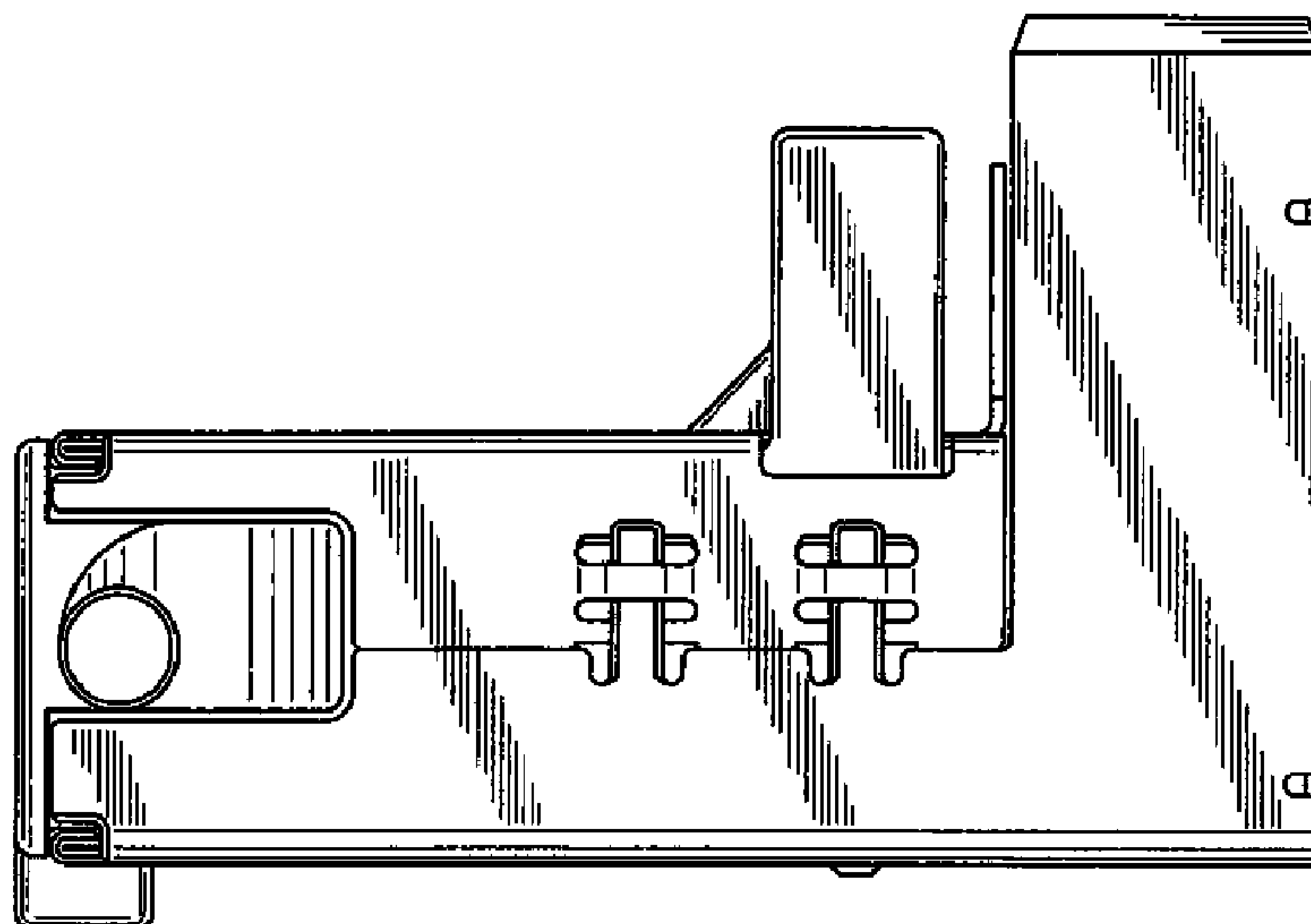


FIG. 7

