



US00D543942S

(12) **United States Design Patent**
Howard

(10) **Patent No.:** **US D543,942 S**

(45) **Date of Patent:** **** Jun. 5, 2007**

(54) **MALE/FEMALE CONNECTOR ASSEMBLY
FOR CONNECTING ELECTRICAL
CONDUCTORS**

D434,003 S * 11/2000 Brisson D13/146
D475,968 S * 6/2003 Pincek et al. D13/133
D501,649 S * 2/2005 Yang et al. D13/133

(75) Inventor: **Stephen M Howard**, The Colony, TX
(US)

* cited by examiner

Primary Examiner—Daniel Bui

(73) Assignee: **R.A. Phillips Industries, Inc.**, Santa Fe
Springs, CA (US)

(74) *Attorney, Agent, or Firm*—Jones Day

(**) Term: **14 Years**

(57) **CLAIM**

The ornamental design for the a male/female connector assembly for connecting electrical conductors, as shown and described.

(21) Appl. No.: **29/222,356**

DESCRIPTION

(22) Filed: **Jan. 27, 2005**

(51) **LOC (8) Cl.** **13-03**

(52) **U.S. Cl.** **D13/147; D13/146**

(58) **Field of Classification Search** D13/133,
D13/146–147, 154, 184, 199; 439/246, 278,
439/282, 374, 527, 775, 892, 894
See application file for complete search history.

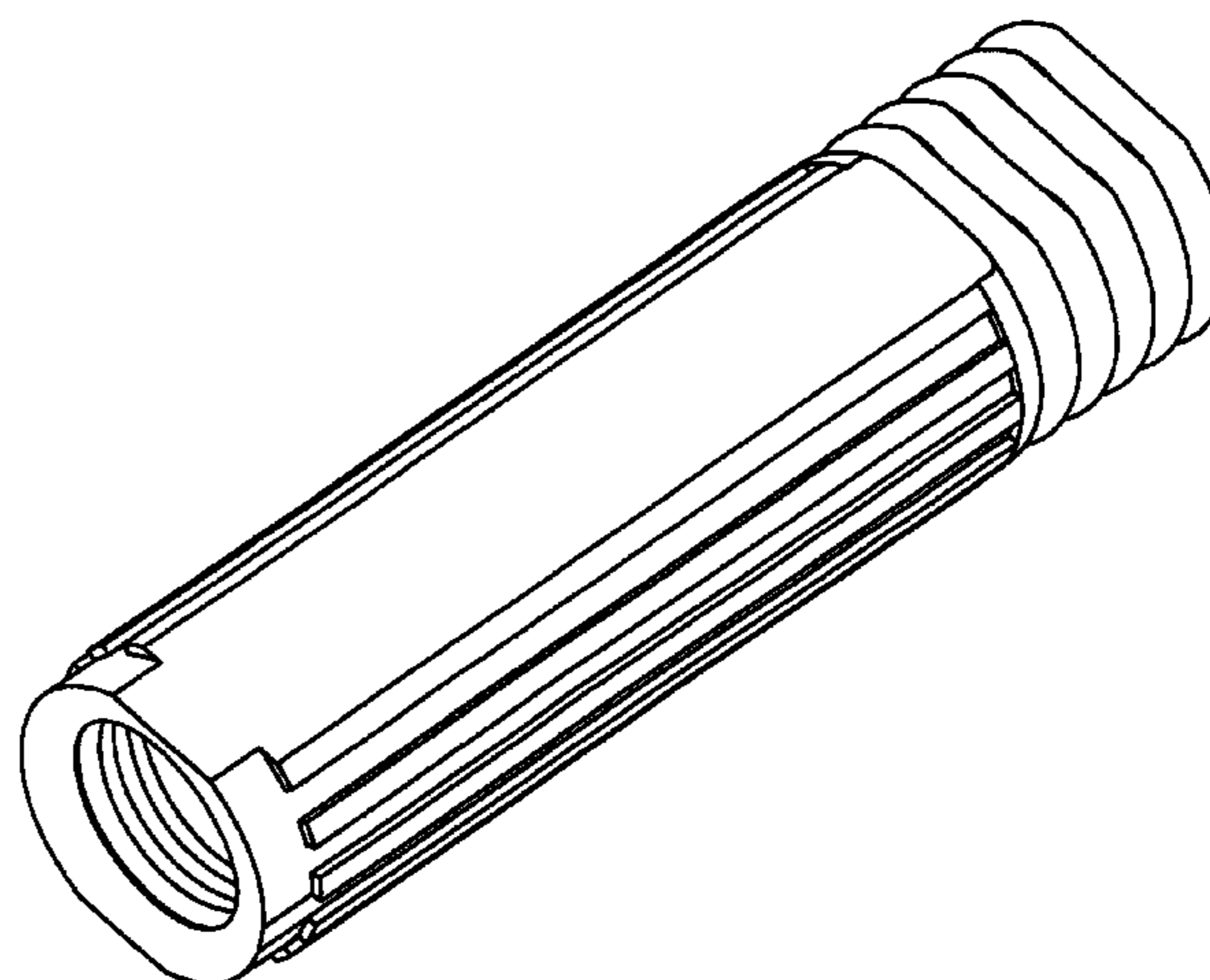
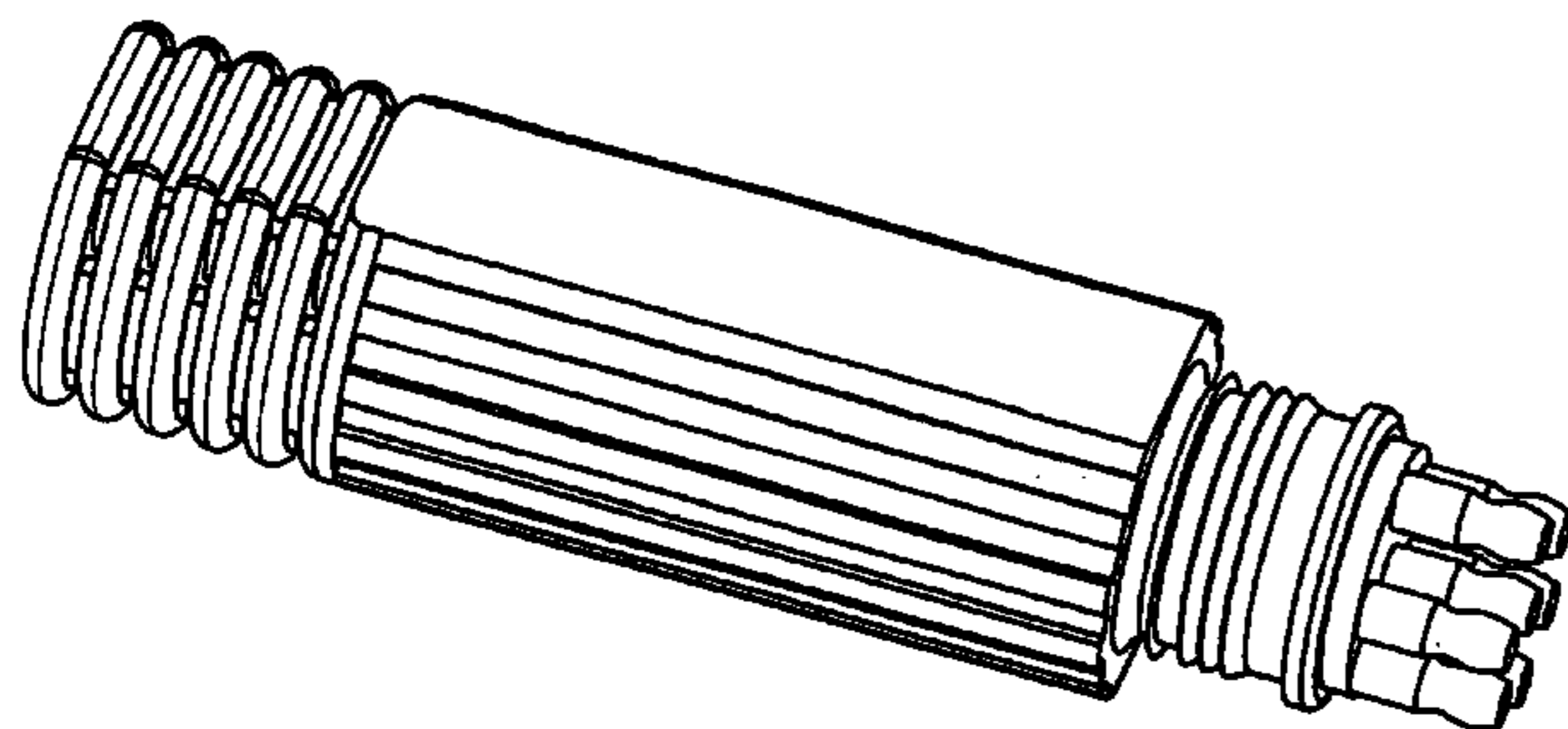
FIG. 1 is a perspective view of a male connector portion of a male/female connector assembly for connecting electrical conductors showing my new design;
FIG. 2 is a front view thereof;
FIG. 3 is a rear view thereof;
FIG. 4 is a side view thereof;
FIG. 5 is a side view thereof;
FIG. 6 is a top view thereof;
FIG. 7 is a bottom view thereof;
FIG. 8 is a perspective view of a female connector portion of a male/female connector assembly for connecting electrical conductors showing my new design;
FIG. 9 is a front view thereof;
FIG. 10 is a rear view thereof;
FIG. 11 is a side view thereof;
FIG. 12 is a side view thereof;
FIG. 13 is a top view thereof; and,
FIG. 14 is a bottom view thereof.

(56) **References Cited**

U.S. PATENT DOCUMENTS

2,529,502 A * 11/1950 Kelly et al. 439/252
D162,795 S * 4/1951 De Tar D13/146
2,636,068 A * 4/1953 Perkins 439/197
D245,977 S * 10/1977 Mouttet D13/133
4,319,798 A * 3/1982 Mittelhauser 439/638
D265,189 S * 6/1982 Eriksson et al. D10/114
D294,142 S * 2/1988 Kuwano et al. D13/146
D341,126 S * 11/1993 Finamore et al. D13/151
D412,885 S * 8/1999 Toly D13/154
D424,021 S * 5/2000 Amin D13/151

1 Claim, 6 Drawing Sheets



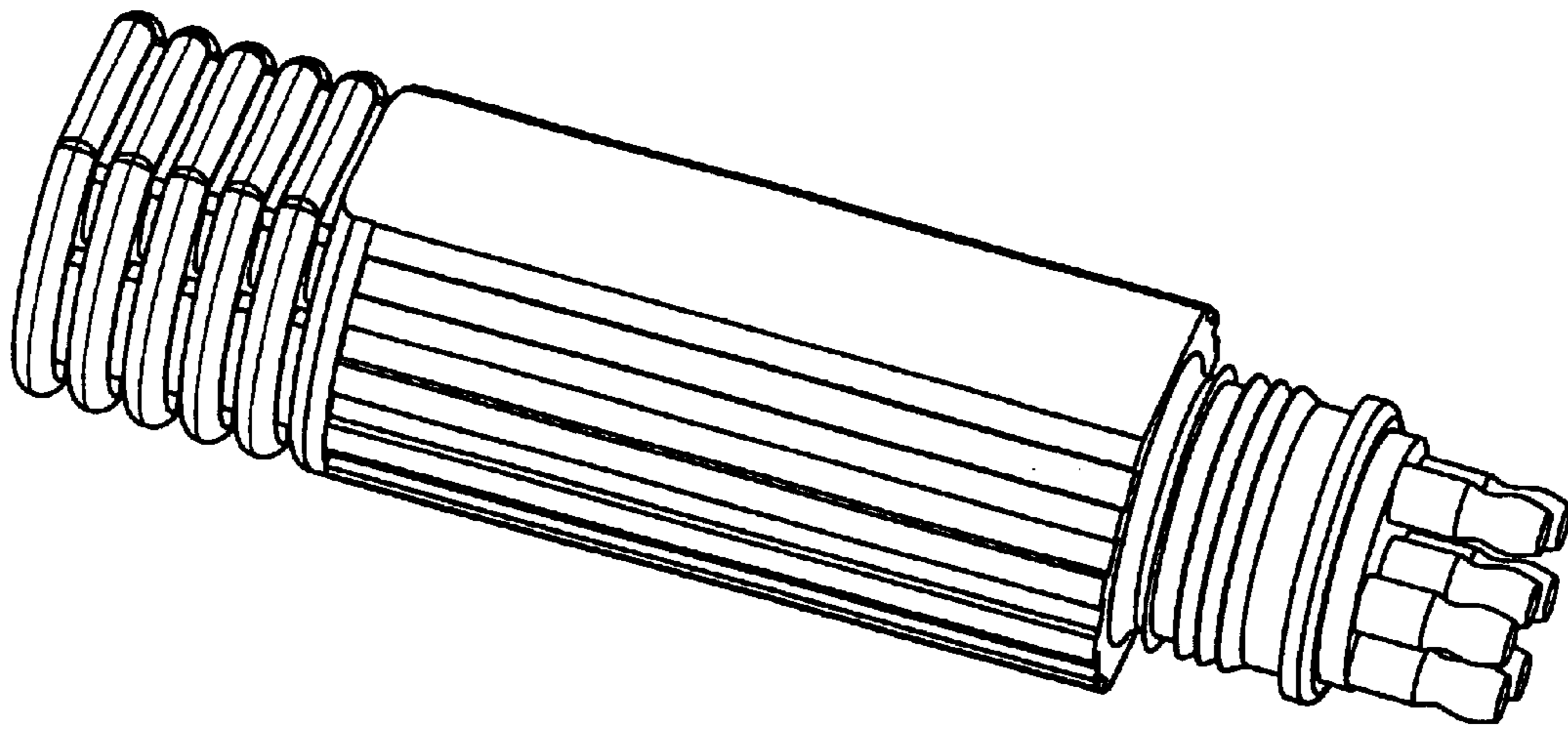


FIG. 1

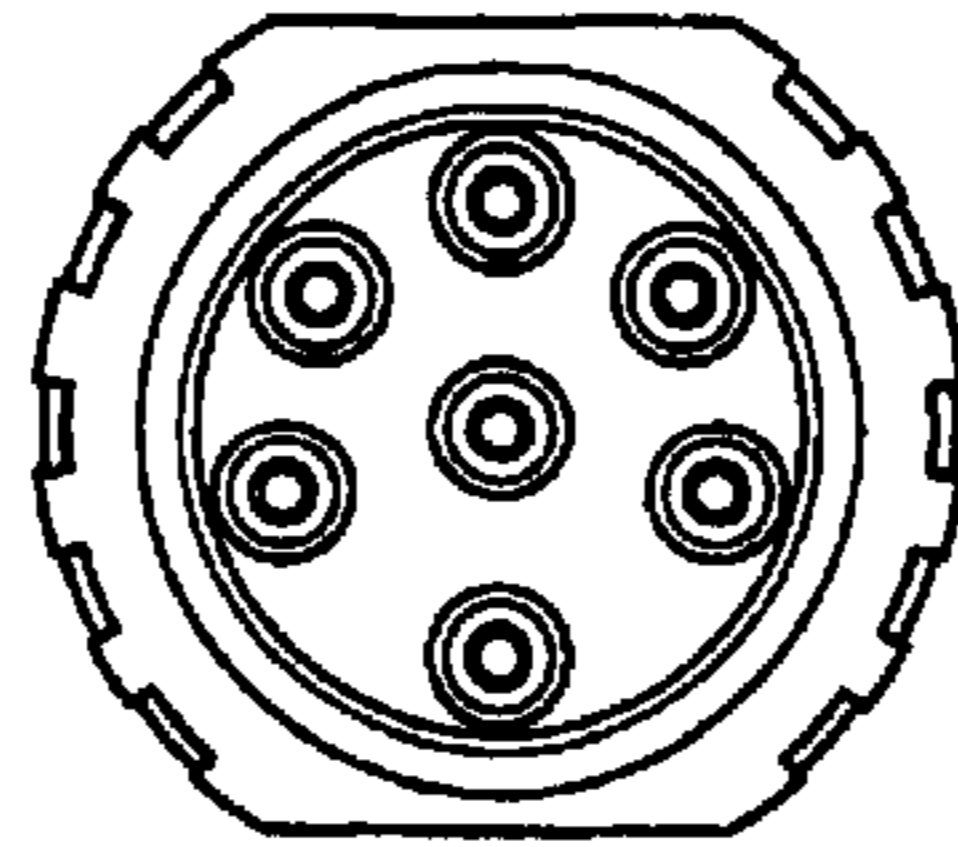


FIG. 2

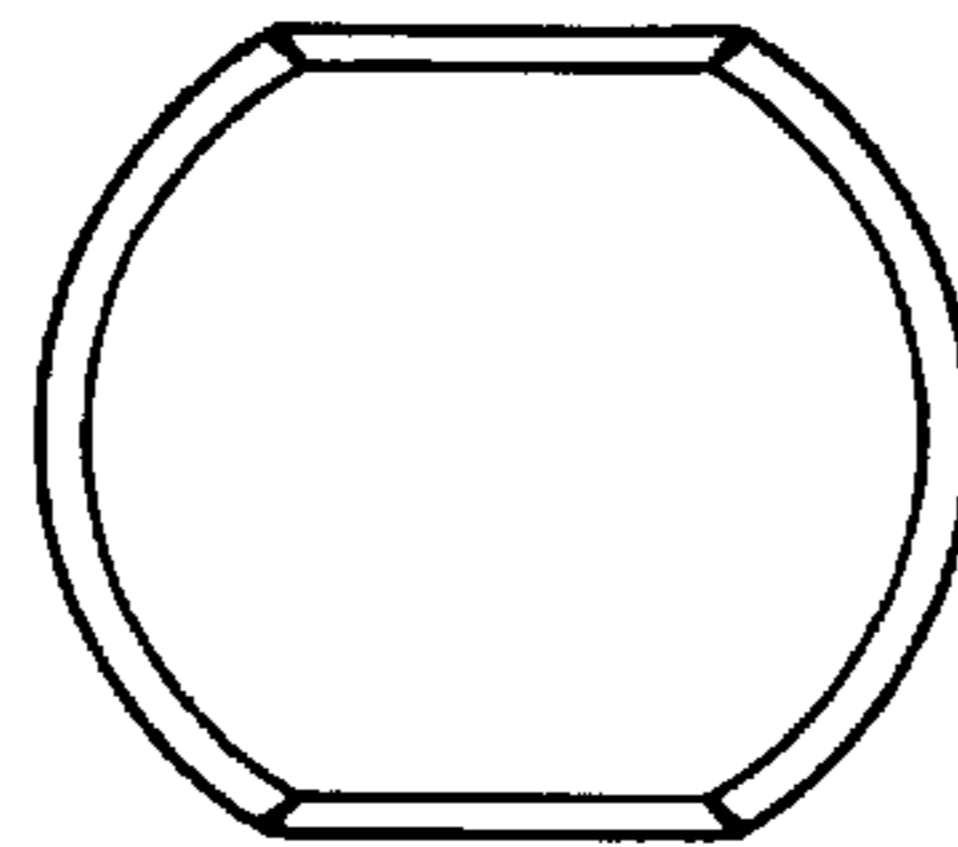


FIG. 3



FIG. 4

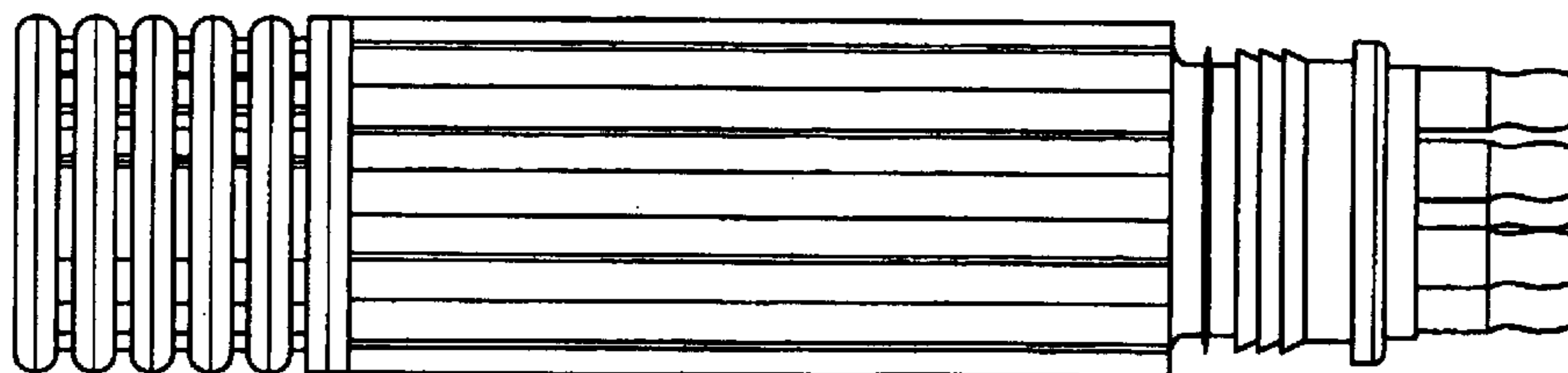


FIG. 5

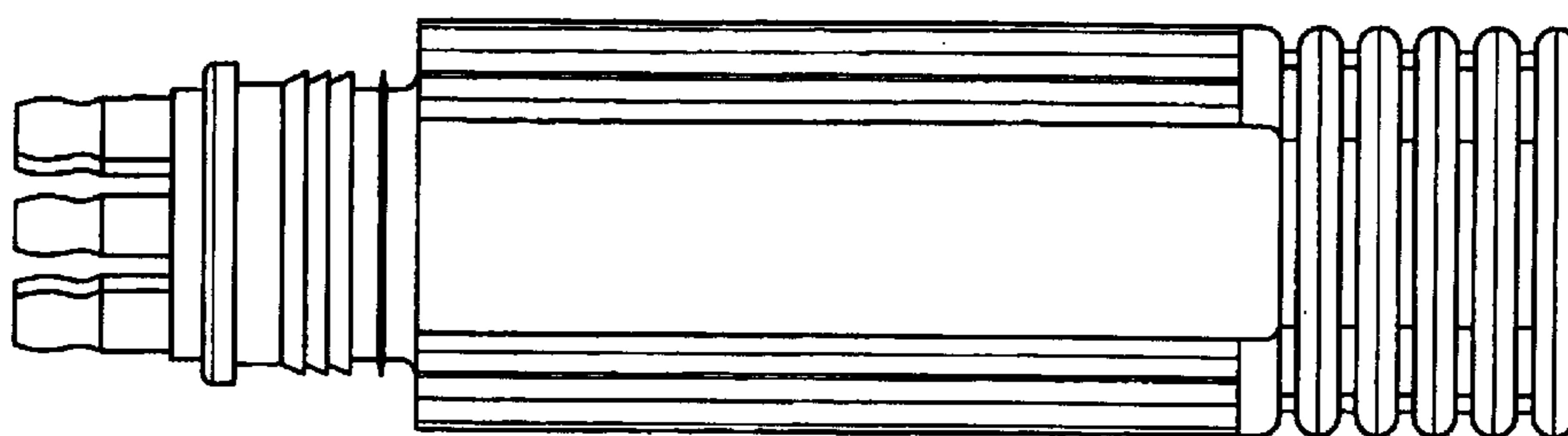


FIG. 6

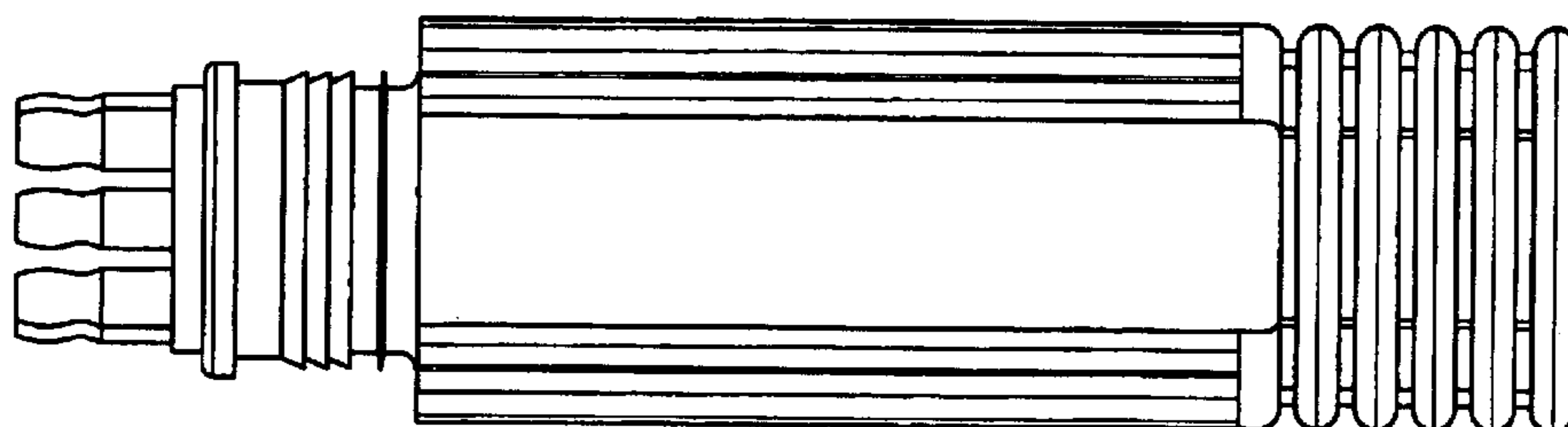


FIG. 7

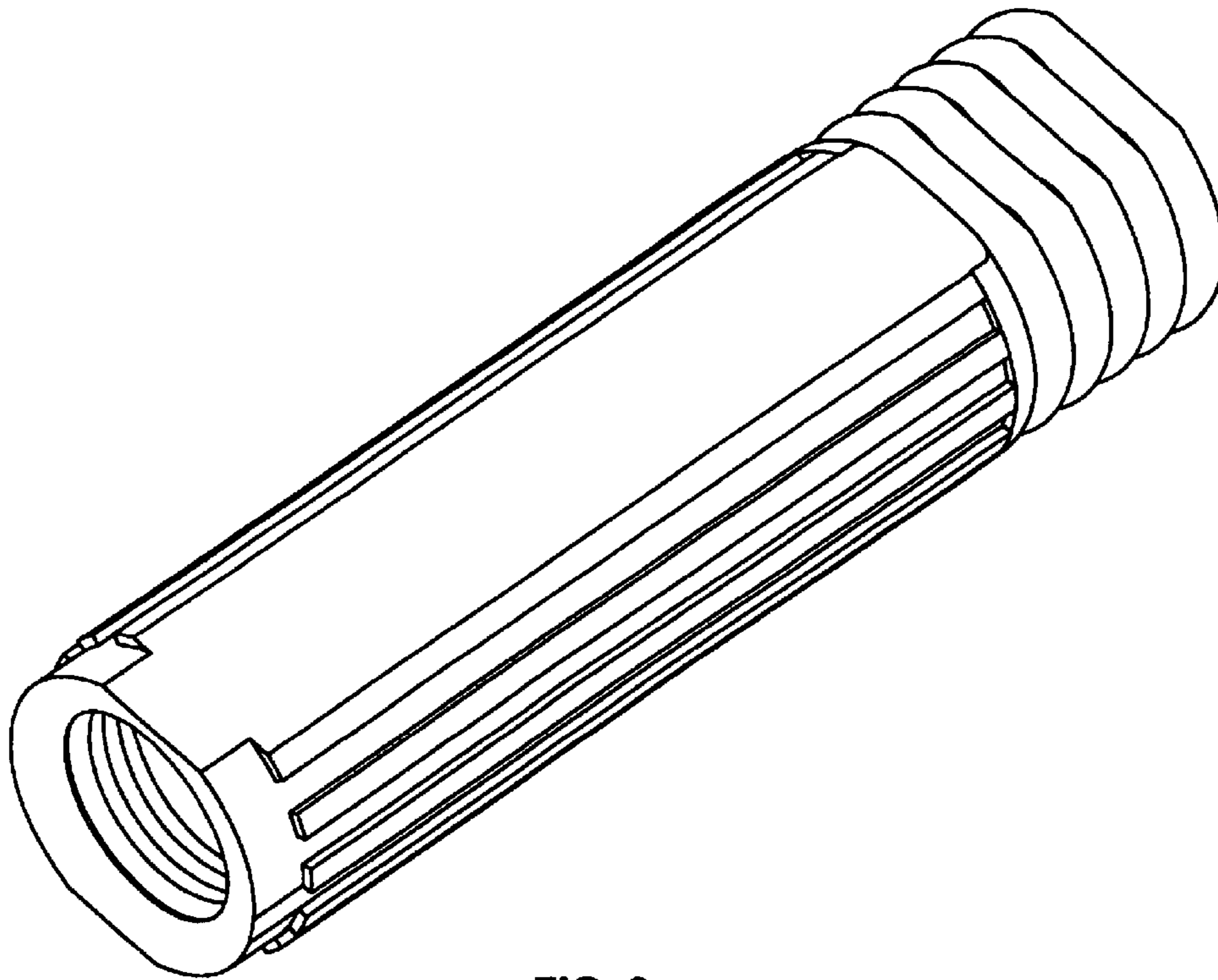


FIG. 8

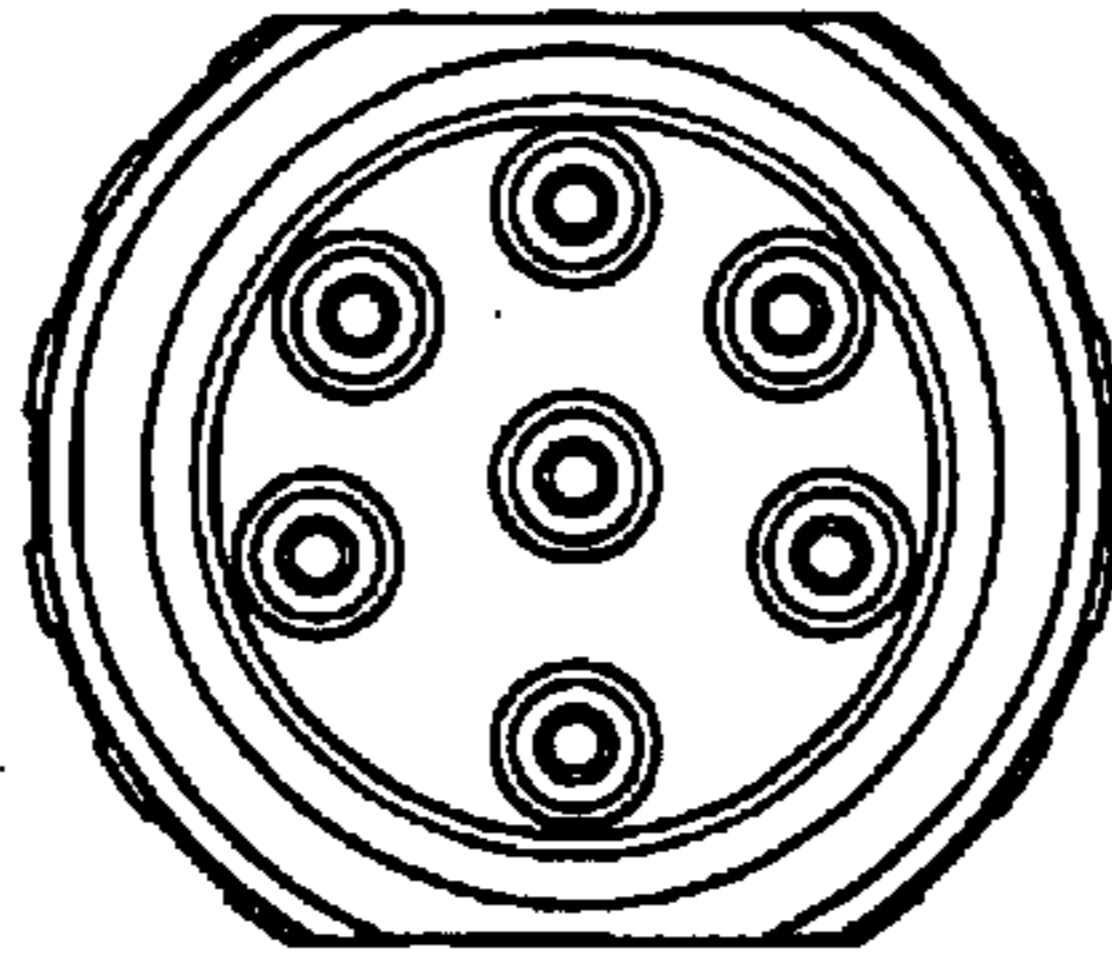


FIG. 9

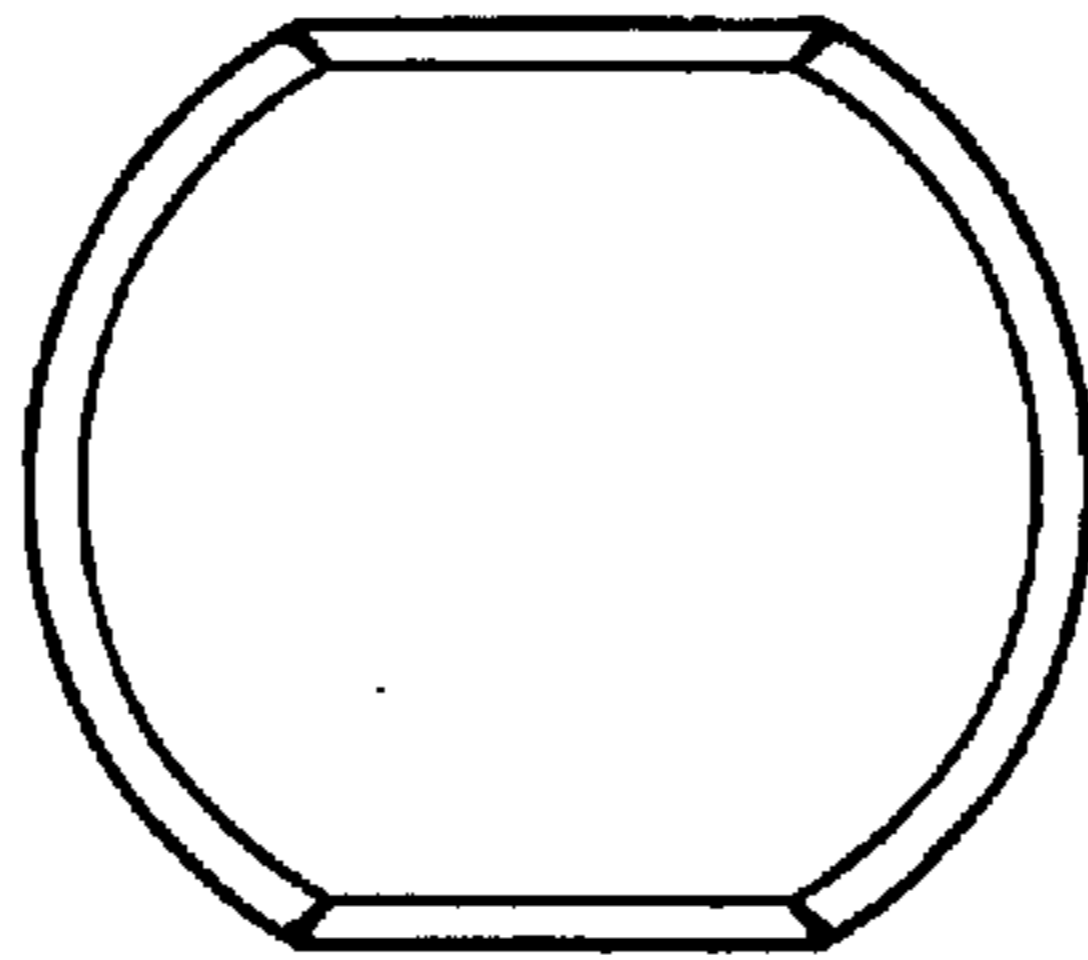


FIG. 10

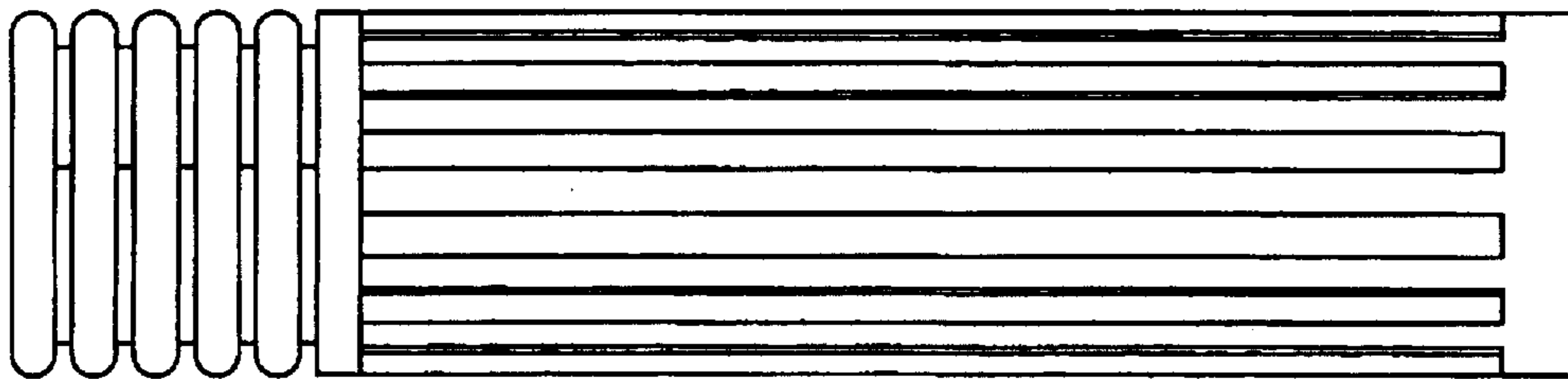


FIG. 11

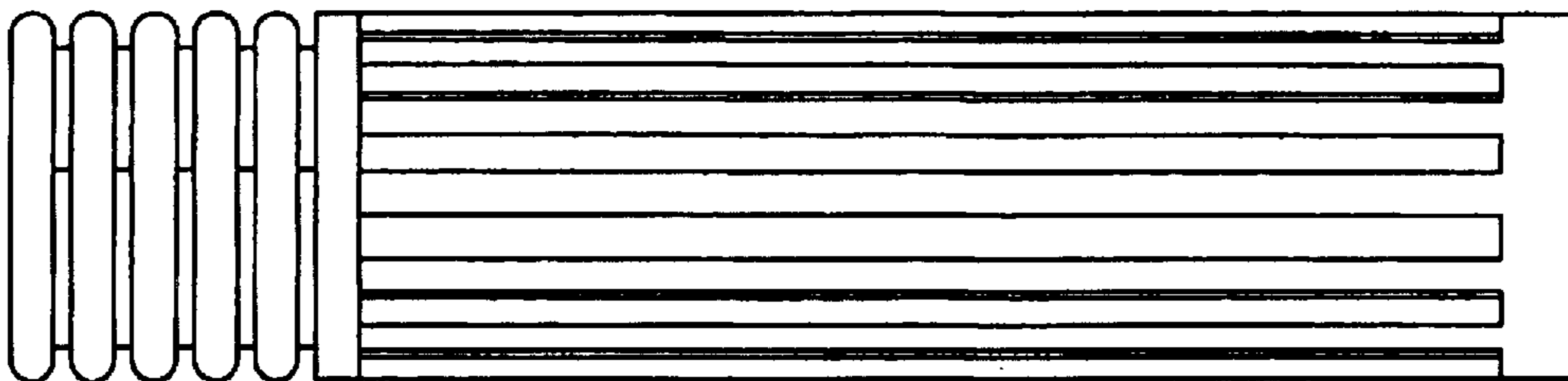


FIG. 12

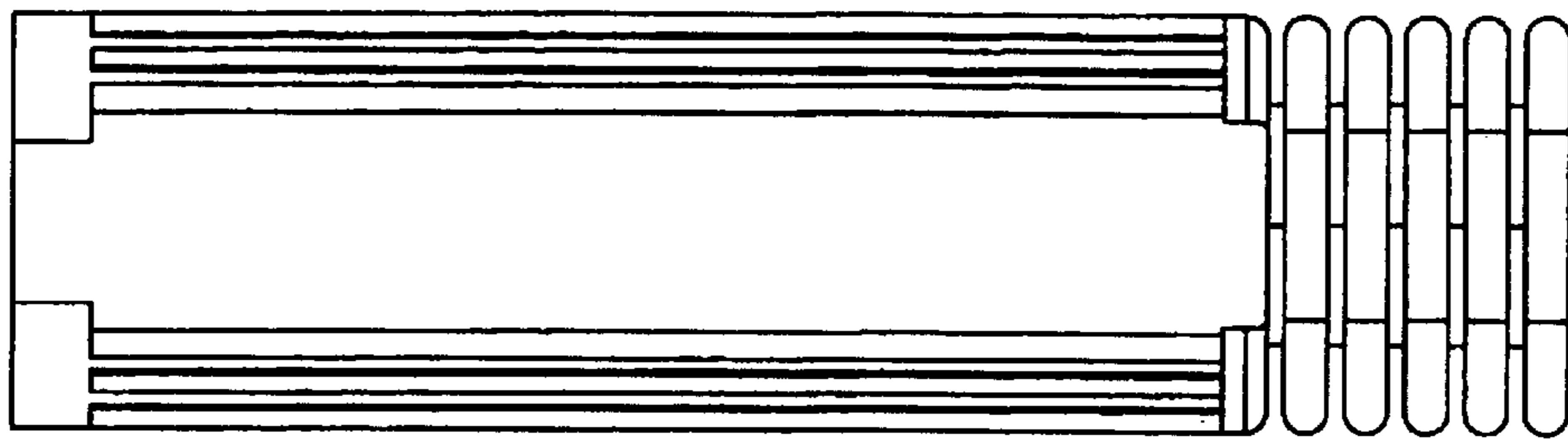


FIG. 13

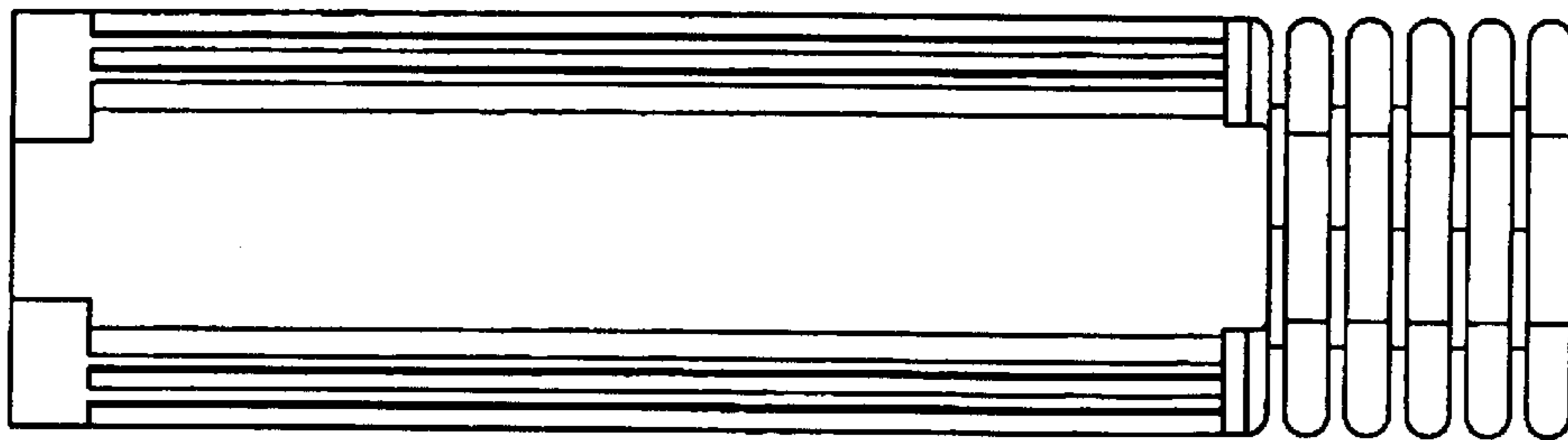


FIG. 14