

US00D543940S

(12) **United States Design Patent**  
**Hussaini et al.**

(10) **Patent No.:** **US D543,940 S**

(45) **Date of Patent:** **\*\* Jun. 5, 2007**

(54) **MULTI-FUNCTION ELECTRICAL CHARGER**

D533,135 S \* 12/2006 Hussaini et al. .... D13/110

(75) Inventors: **Saied Hussaini**, Miami, FL (US); **Marc Iacovelli**, Miami, FL (US)

\* cited by examiner

(73) Assignee: **Intec, Inc.**, Miami, FL (US)

*Primary Examiner*—M. H. Tung

*Assistant Examiner*—Rosemary K. Tarcza

(\*\*) Term: **14 Years**

(74) *Attorney, Agent, or Firm*—Berenato, White & Stavish

(21) Appl. No.: **29/262,044**

(57) **CLAIM**

(22) Filed: **Jun. 26, 2006**

The ornamental design for a multi-function electrical charger, as shown and described.

(51) **LOC (8) Cl.** ..... **13-03**

(52) **U.S. Cl.** ..... **D13/144**

(58) **Field of Classification Search** ..... D13/107,  
D13/108, 110, 144, 184; D14/155; 439/300,  
439/620, 638, 668–669, 675, 825; 320/110–112,  
320/114; 363/146

See application file for complete search history.

**DESCRIPTION**

(56) **References Cited**

**U.S. PATENT DOCUMENTS**

D347,824 S *	6/1994	Wharton	.....	D13/144
D369,811 S *	5/1996	Chen	.....	D14/248
5,847,545 A *	12/1998	Chen et al.	.....	320/138
5,860,824 A *	1/1999	Fan	.....	439/265
D456,349 S *	4/2002	Chuang	.....	D13/107
D464,316 S *	10/2002	Nazar	.....	D13/110
D465,781 S *	11/2002	Fischer	.....	D14/240
6,478,628 B1 *	11/2002	Ming	.....	439/668
D494,542 S *	8/2004	Hriscu et al.	.....	D13/110
D509,792 S *	9/2005	Hsu	.....	D13/110
D510,318 S *	9/2005	Hsu	.....	D13/110
D526,962 S *	8/2006	Krieger et al.	.....	D13/144

FIG. 1 is a perspective view of the multi-function electrical charger according to the present invention.

FIG. 2 is a front view of the multi-function electrical charger of FIG. 1.

FIG. 3 is a rear view of the multi-function electrical charger of FIG. 1.

FIG. 4 is a right side view of the multi-function electrical charger of FIG. 1.

FIG. 5 is a left side view of the multi-function electrical charger of FIG. 1.

FIG. 6 is a top view of the multi-function electrical charger of FIG. 1.

FIG. 7 is a bottom view of the multi-function electrical charger of FIG. 1; and,

FIG. 8 is a front view of the multi-function electrical charger in an alternate orientation.

**1 Claim, 5 Drawing Sheets**

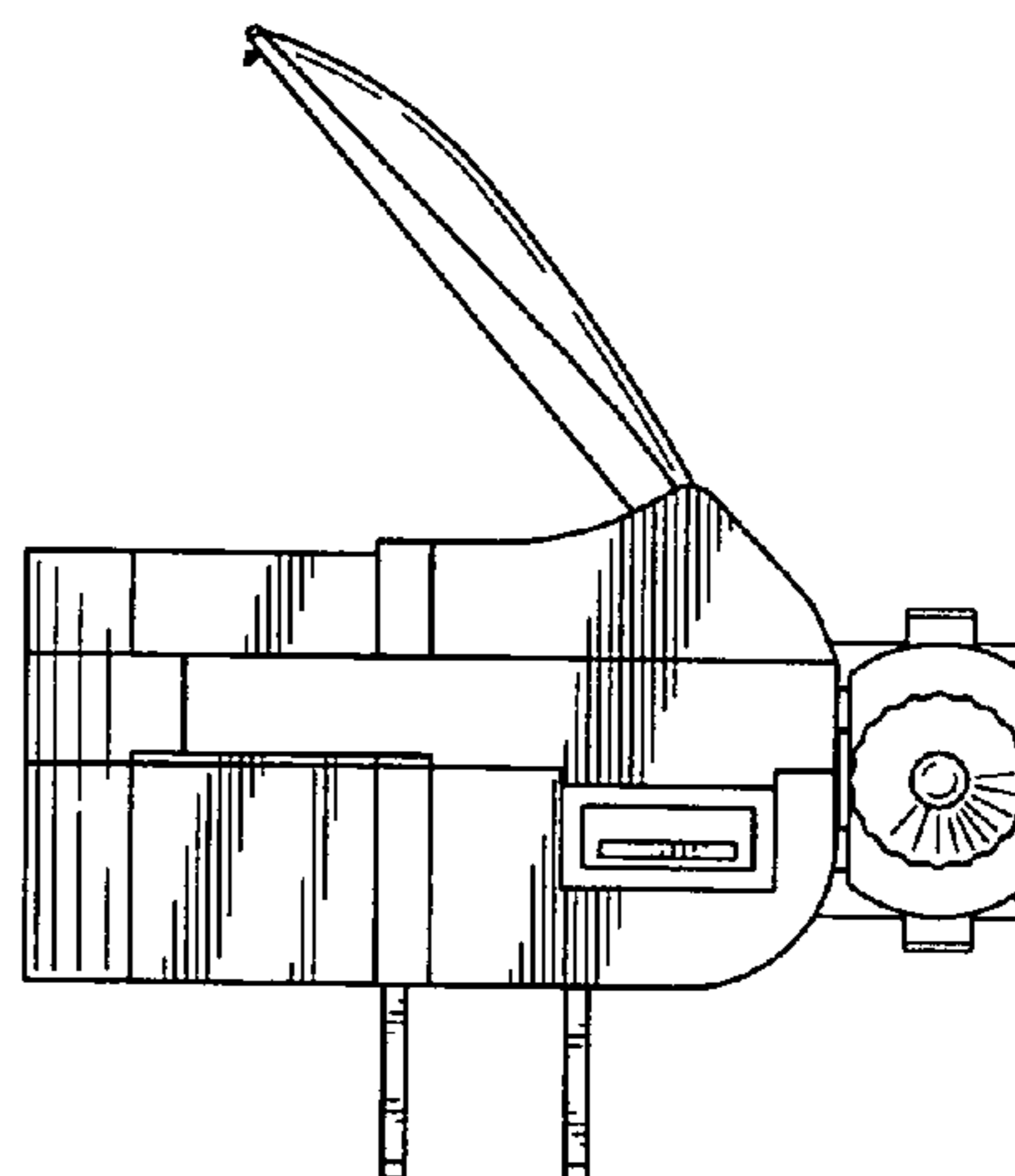
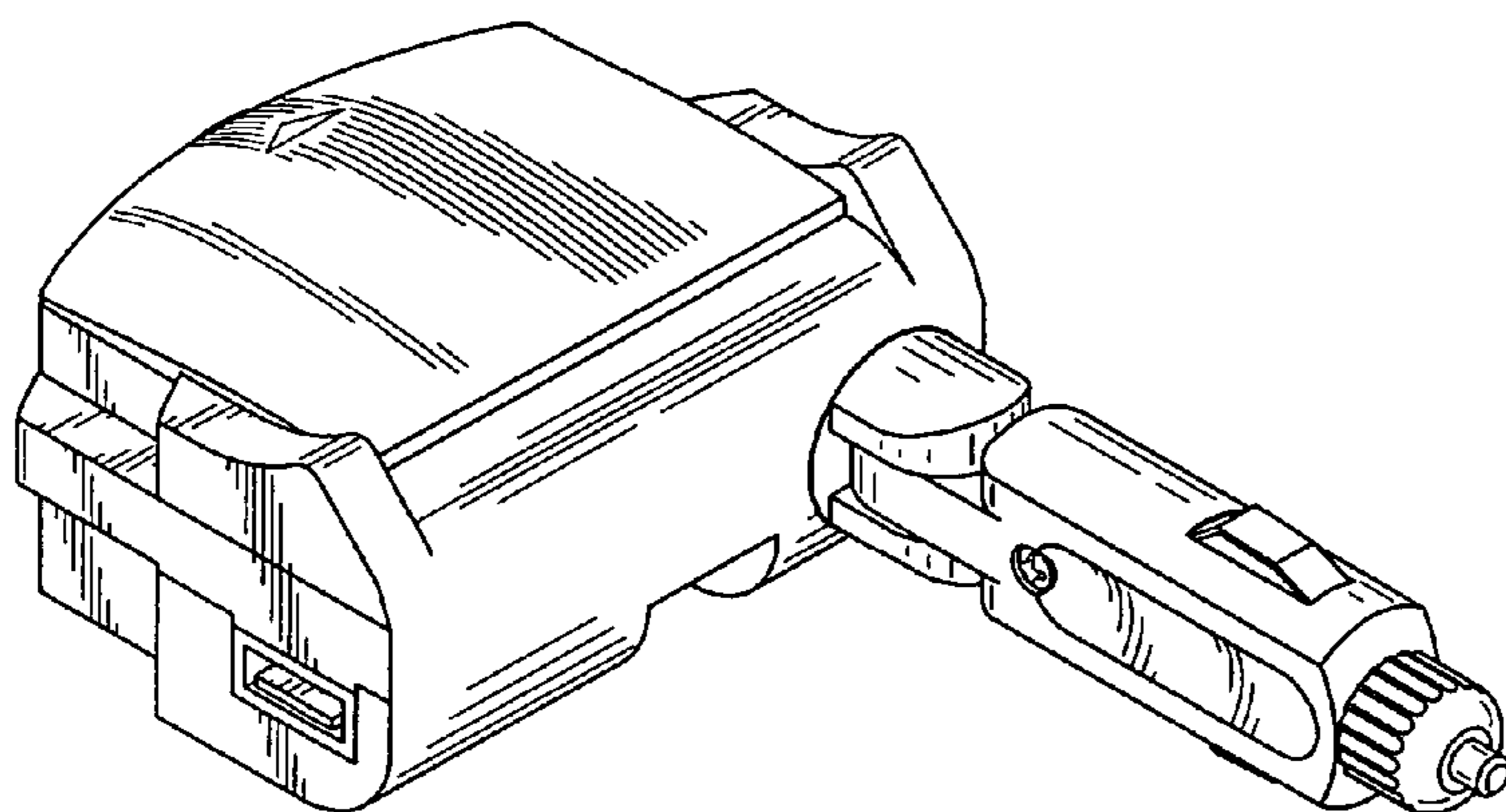


Fig. 1

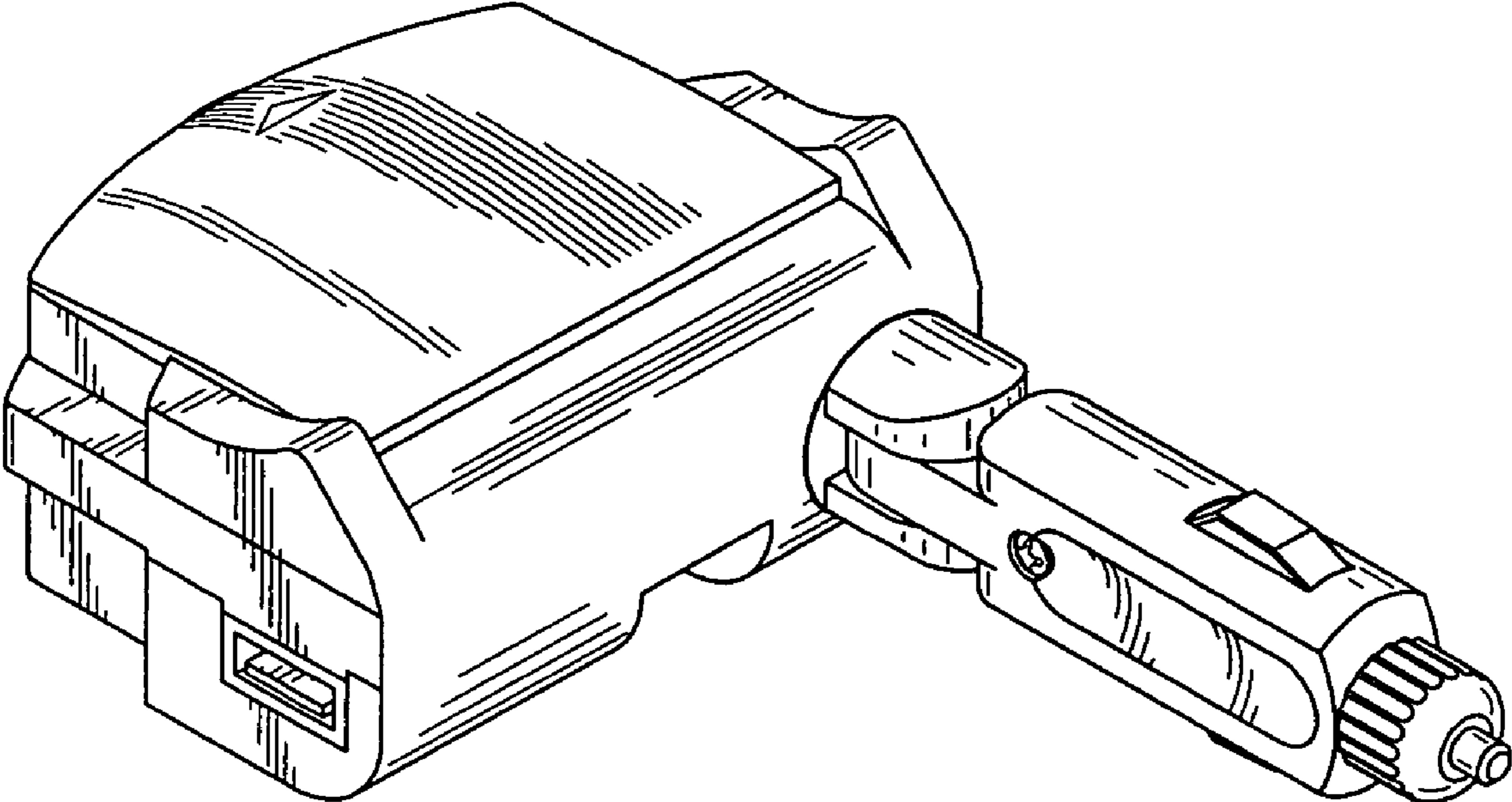


Fig. 2

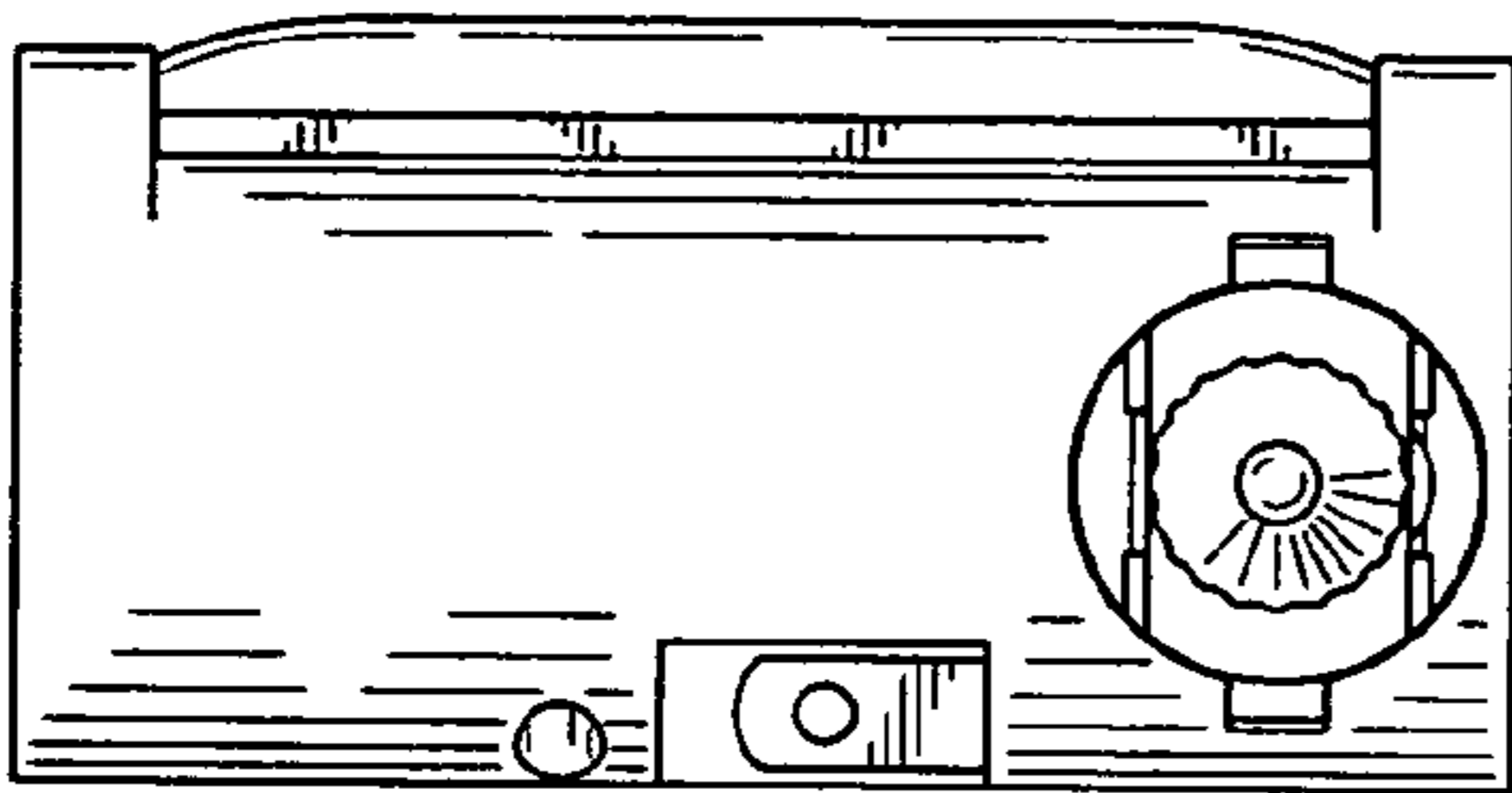


Fig. 3

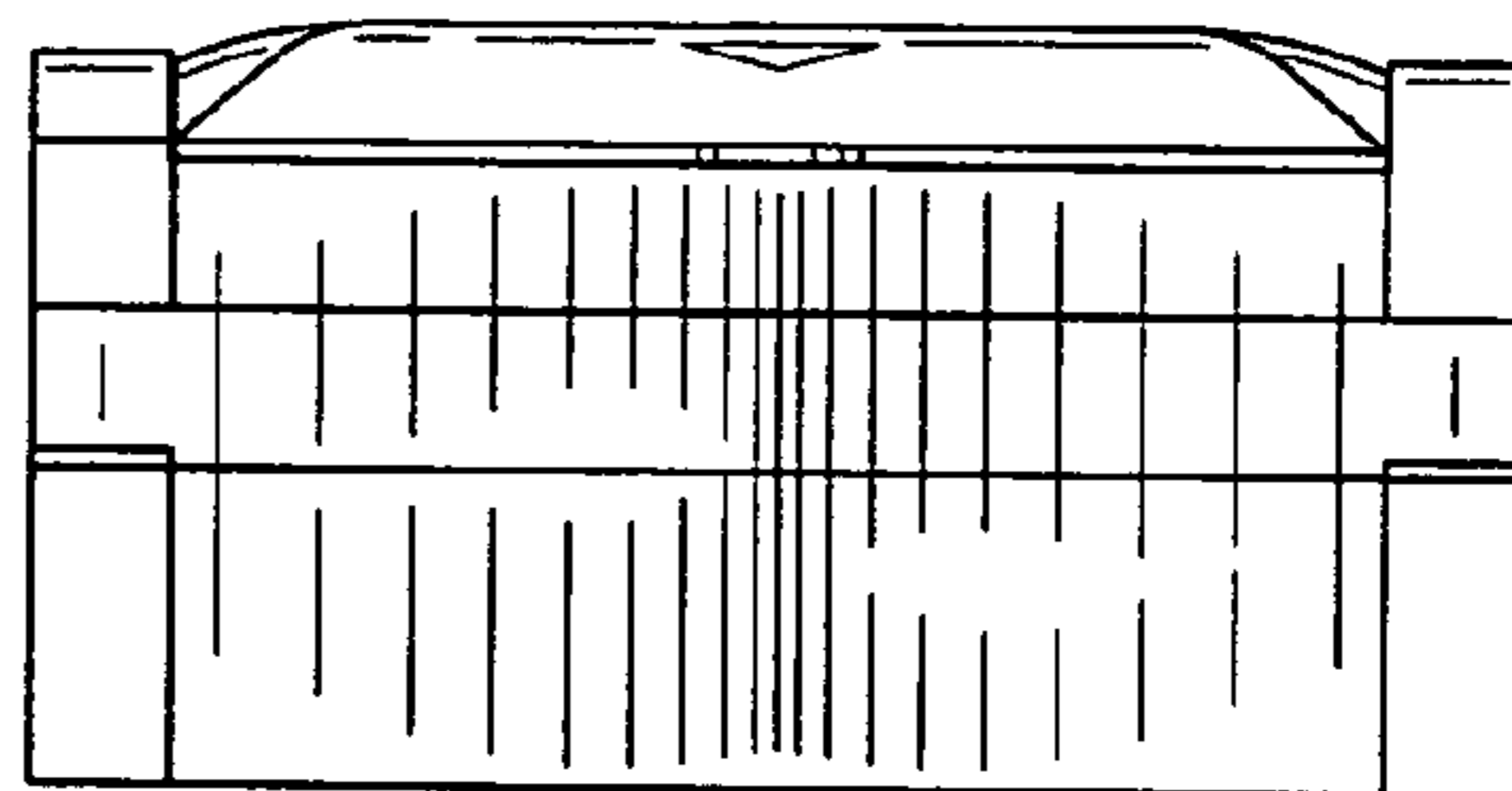


Fig. 4

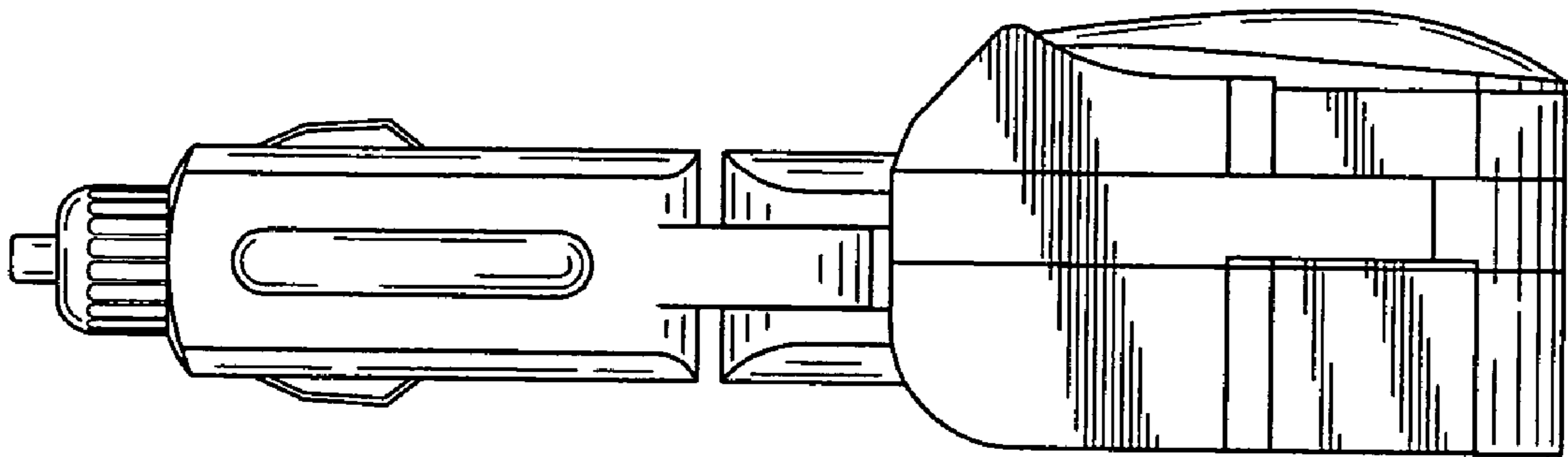


Fig. 5

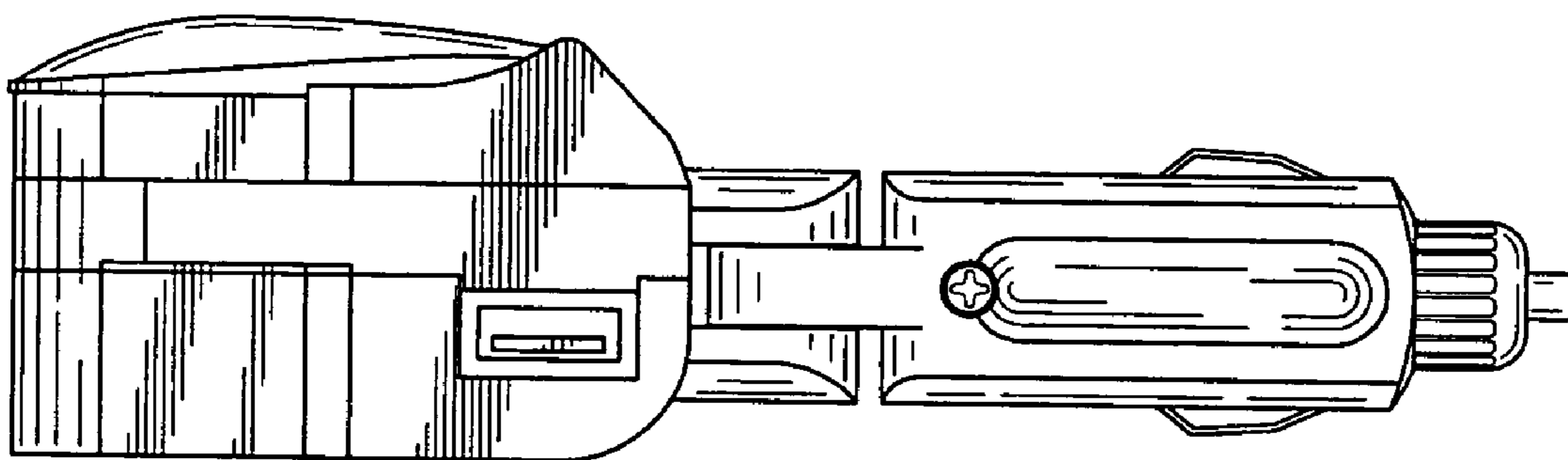


Fig. 6

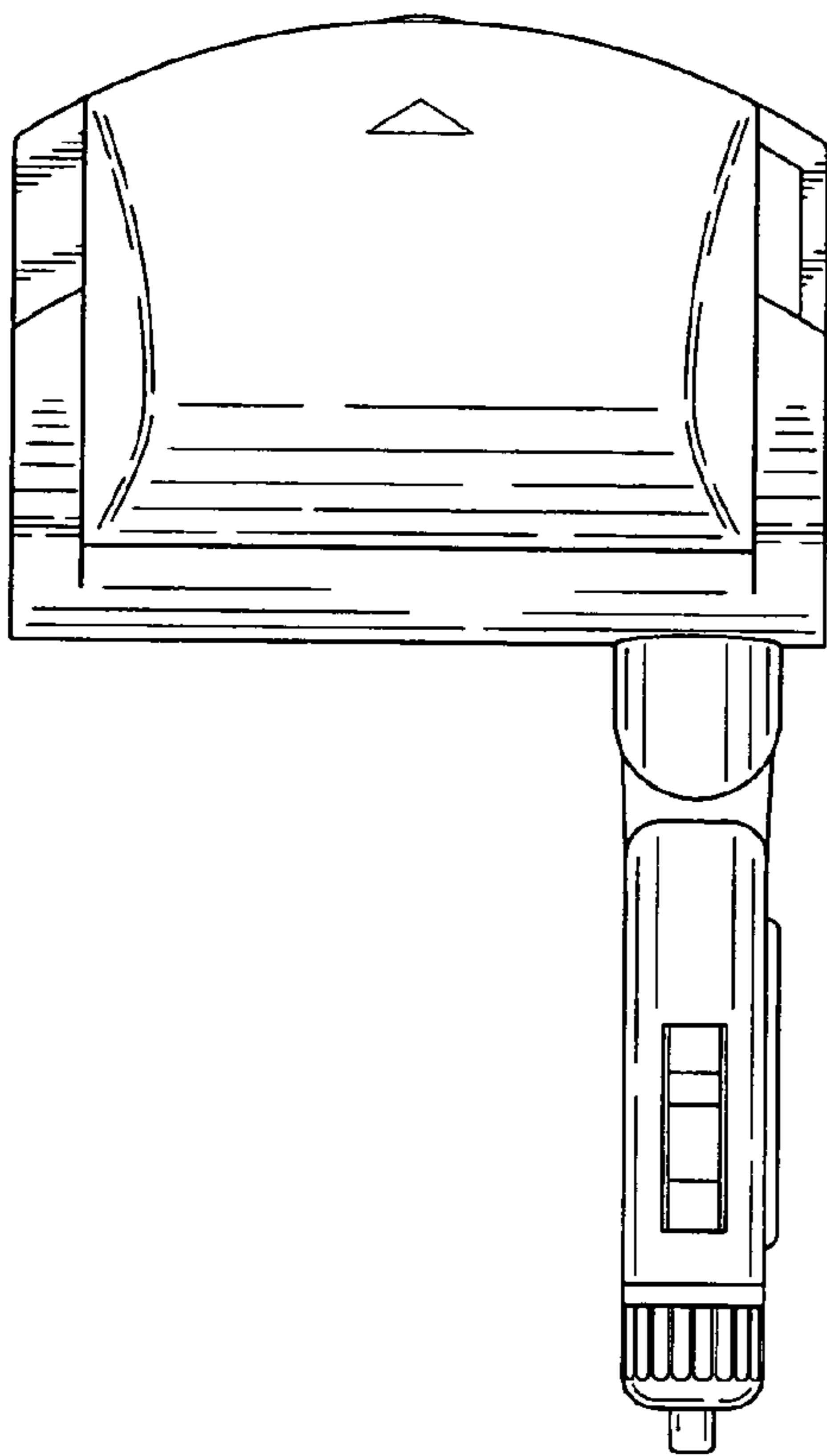


Fig. 7

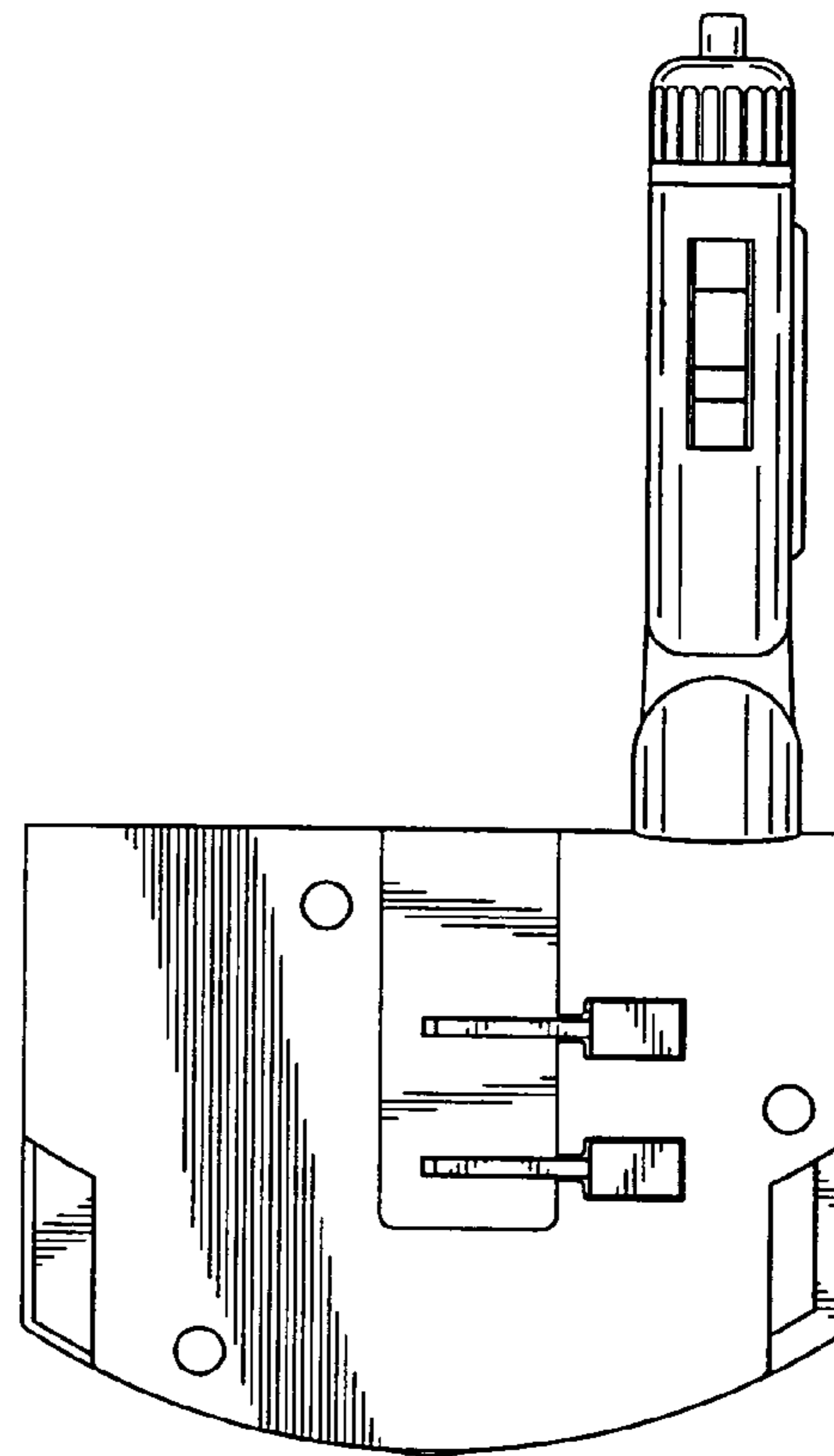


Fig. 8

