

US00D543938S

(12) **United States Design Patent**
Kawakita et al.

(10) **Patent No.:** **US D543,938 S**

(45) **Date of Patent:** **** Jun. 5, 2007**

(54) **STORAGE BATTERY**

(75) Inventors: **Kenzou Kawakita**, Osaka (JP);
Yoshiaki Yamaguchi, Osaka (JP);
Takashi Akimoto, Osaka (JP);
Masamichi Inakura, Osaka (JP); **Kenji**
Yamauchi, Osaka (JP)

(73) Assignee: **Yuasa Corporation**, Takatsuki-shi,
Osaka (JP)

(**) Term: **14 Years**

(21) Appl. No.: **29/264,005**

(22) Filed: **Aug. 2, 2006**

Related U.S. Application Data

(62) Division of application No. 29/203,470, filed on Apr.
14, 2004.

(51) **LOC (8) Cl.** **13-02**

(52) **U.S. Cl.** **D13/119**

(58) **Field of Classification Search** D13/102-106,
D13/110, 118-119, 184; 429/96-100, 163,
429/176

See application file for complete search history.

(56) **References Cited**

U.S. PATENT DOCUMENTS

D81,043 S *	4/1930	Sweet	D13/104
D175,420 S *	8/1955	Klotz	D13/104
D188,421 S *	7/1960	Slautterback	D13/104
D196,798 S *	11/1963	Worrell	D13/104
3,194,687 A *	7/1965	Shannon	429/82
D239,837 S *	5/1976	Hennen	D13/119
D264,961 S *	6/1982	Oxenreider	D13/119
D292,576 S *	11/1987	Kump et al.	D13/106
D299,639 S *	1/1989	Anderson et al.	D13/119

D352,498 S *	11/1994	Beidler et al.	D13/119
D401,551 S *	11/1998	Kim	D13/106
D428,852 S *	8/2000	Klutt	D13/119

* cited by examiner

Primary Examiner—Alan P. Douglas

Assistant Examiner—Rosemary K. Tarcza

(74) *Attorney, Agent, or Firm*—Osha Liang LLP

(57) **CLAIM**

The ornamental design for a storage battery, as shown and described.

DESCRIPTION

FIG. 1 shows a front view of the design according to the invention.

FIG. 2 shows a top plan view of the design according to the invention.

FIG. 3 shows a bottom plan view of the design according to the invention.

FIG. 4 shows a right side view of the design according to the invention. The left side view is a mirror image of the right side view.

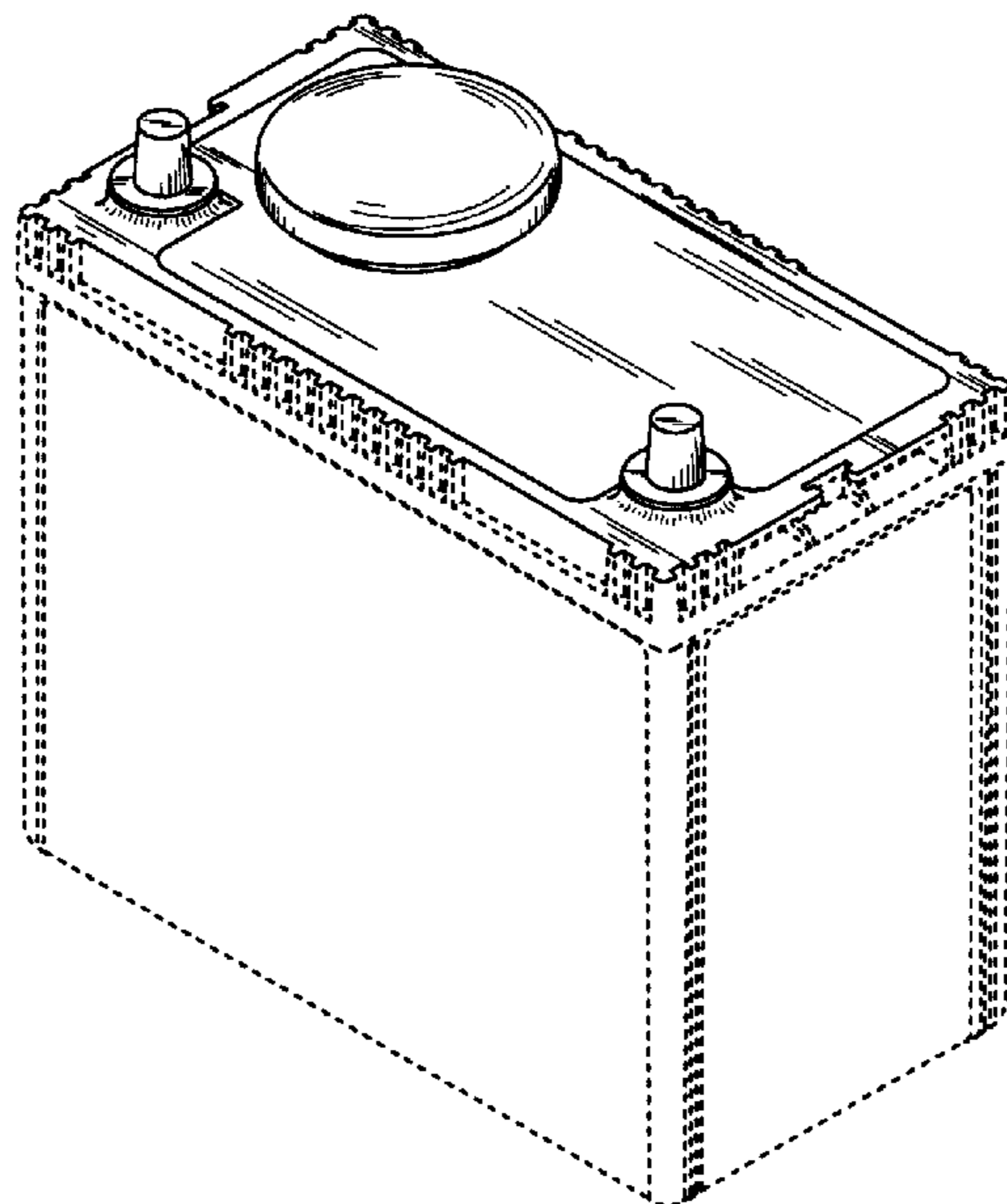
FIG. 5 shows a perspective view of the design according to the invention.

FIG. 6 shows a sectional view of the design according to the invention taken along the line 6—6 as shown in FIG. 1; and,

FIG. 7 shows a rear view of the design according to the invention.

The elements shown in even broken lines are for illustrative purposes only and form no part of the claimed design. The dash-dot broken lines define boundaries of the design and do not form part of the claimed design.

1 Claim, 4 Drawing Sheets



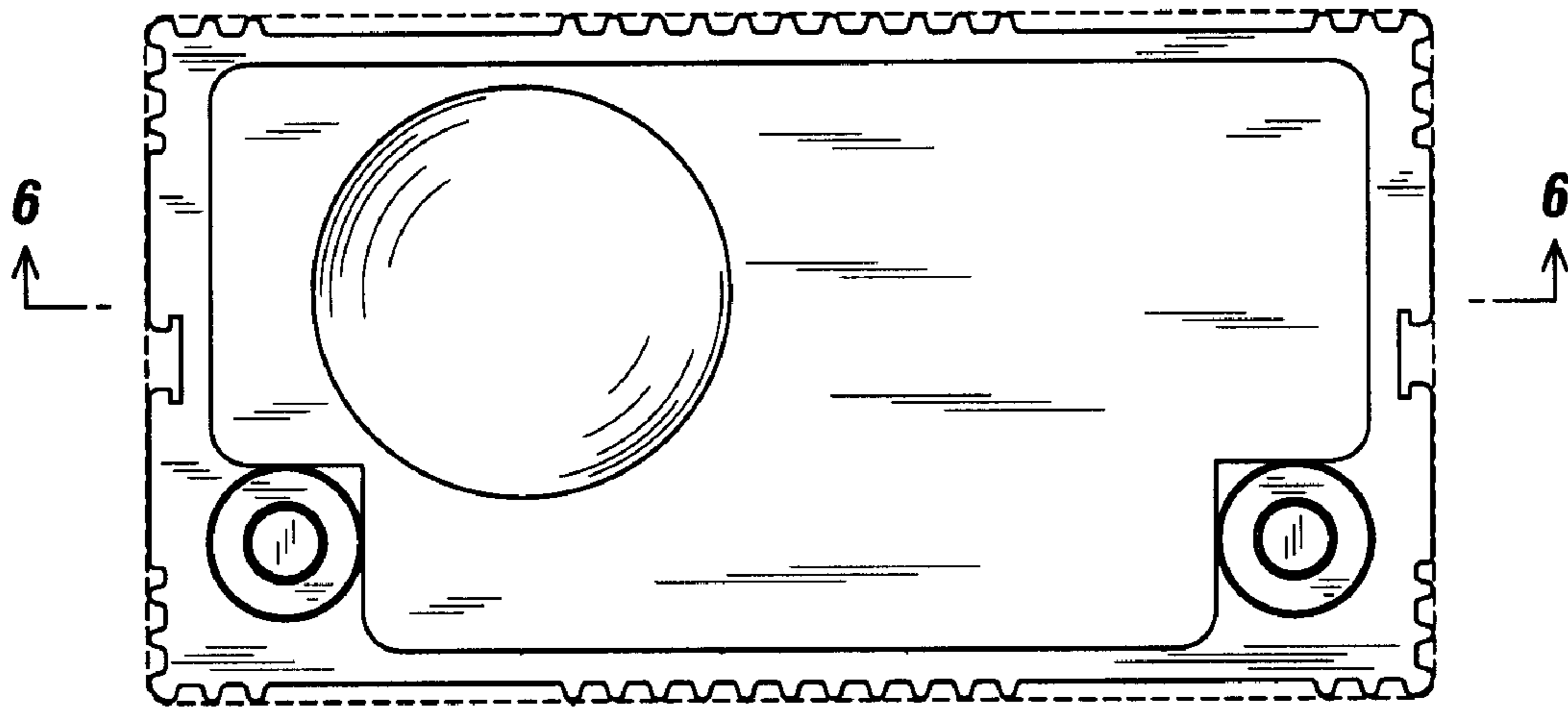


FIG. 1

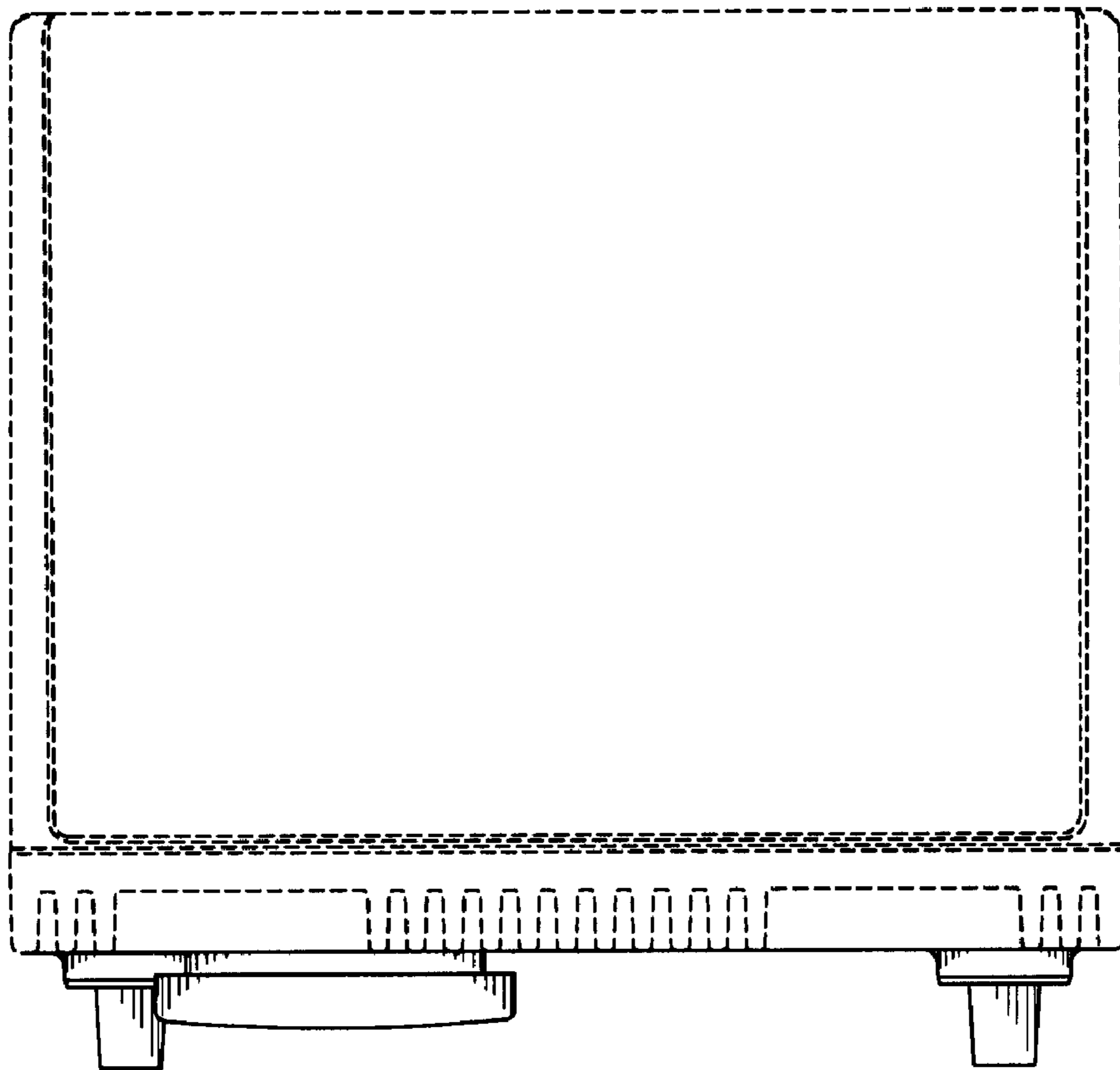


FIG. 2

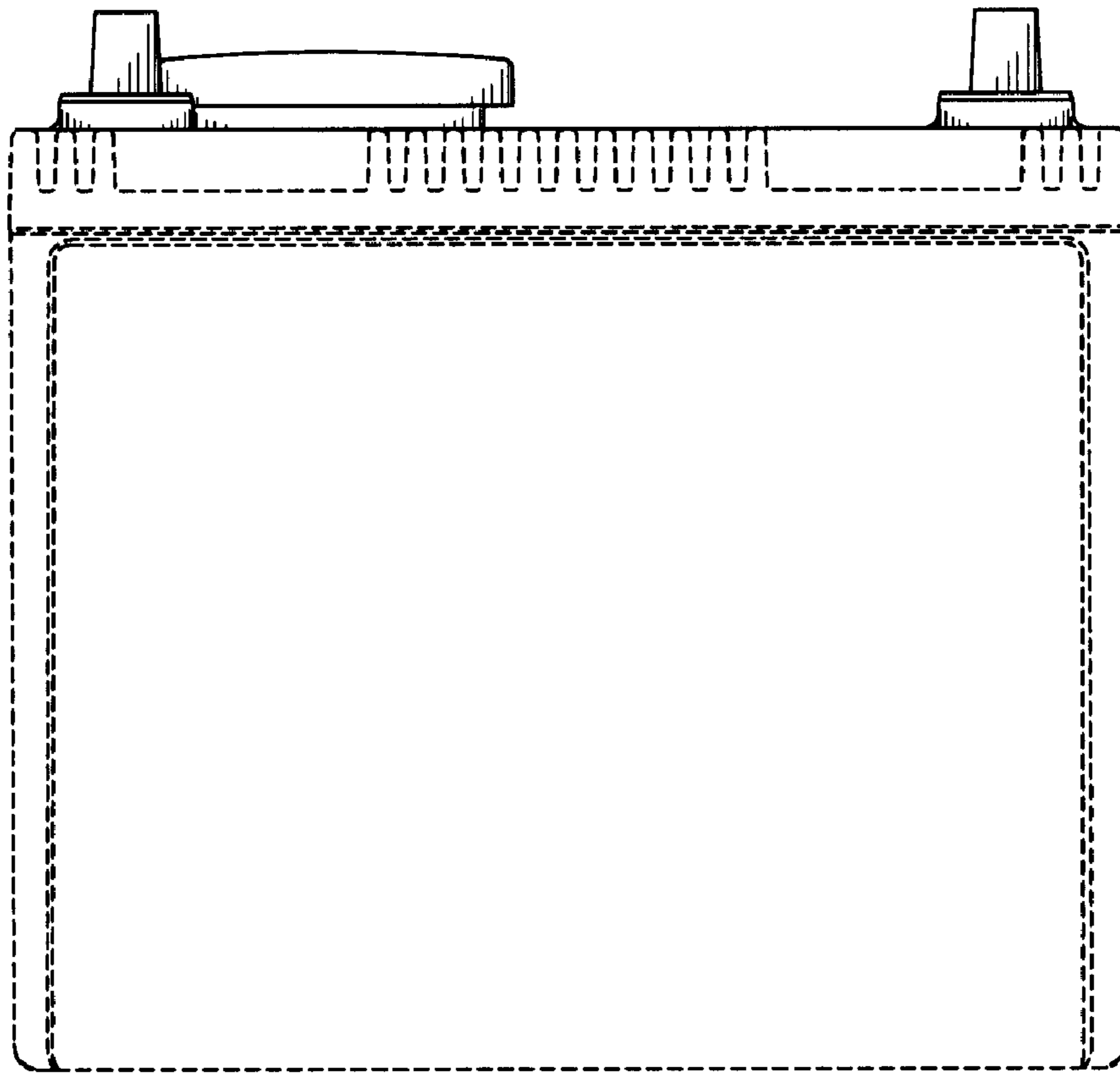


FIG. 3

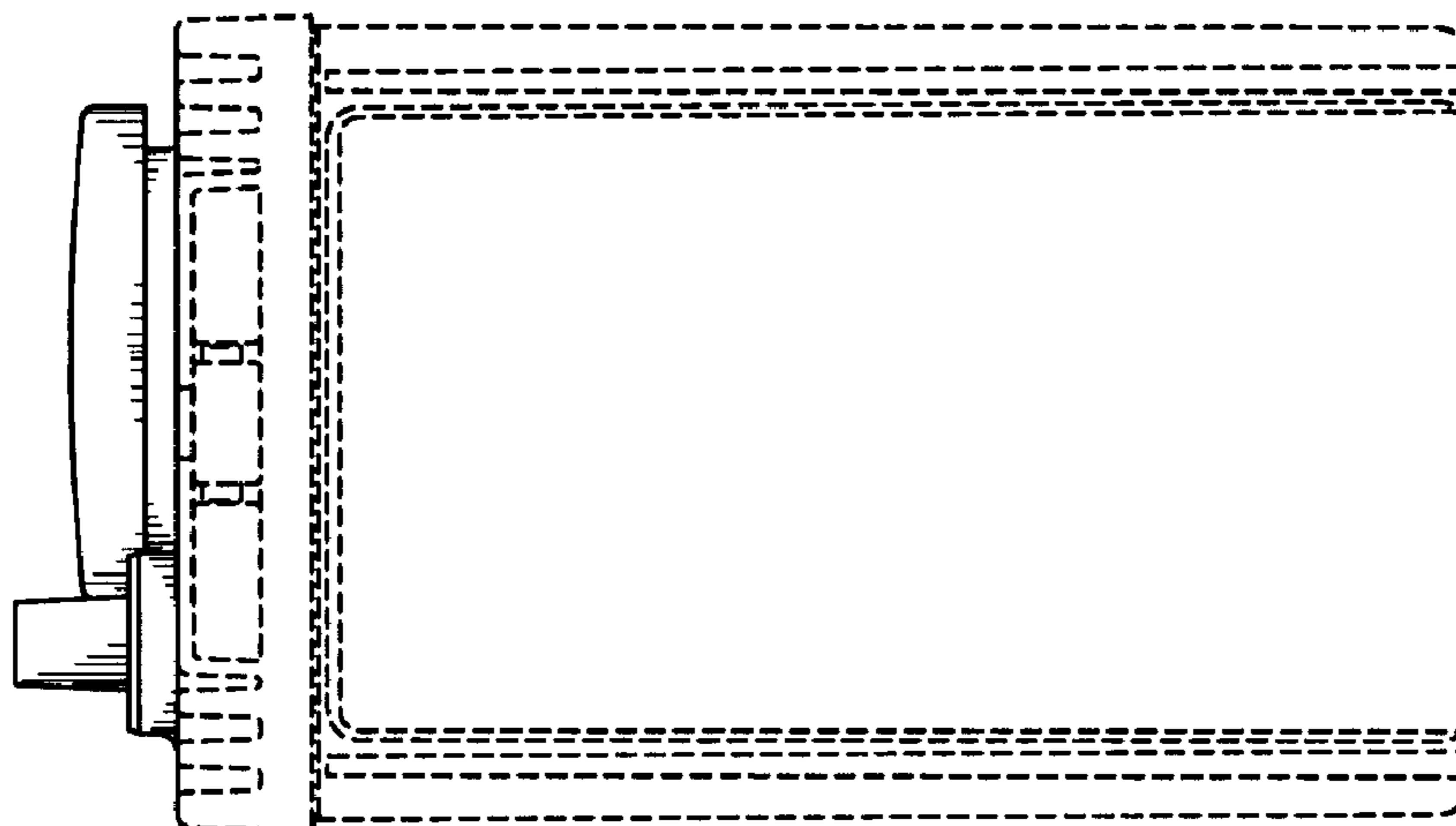


FIG. 4

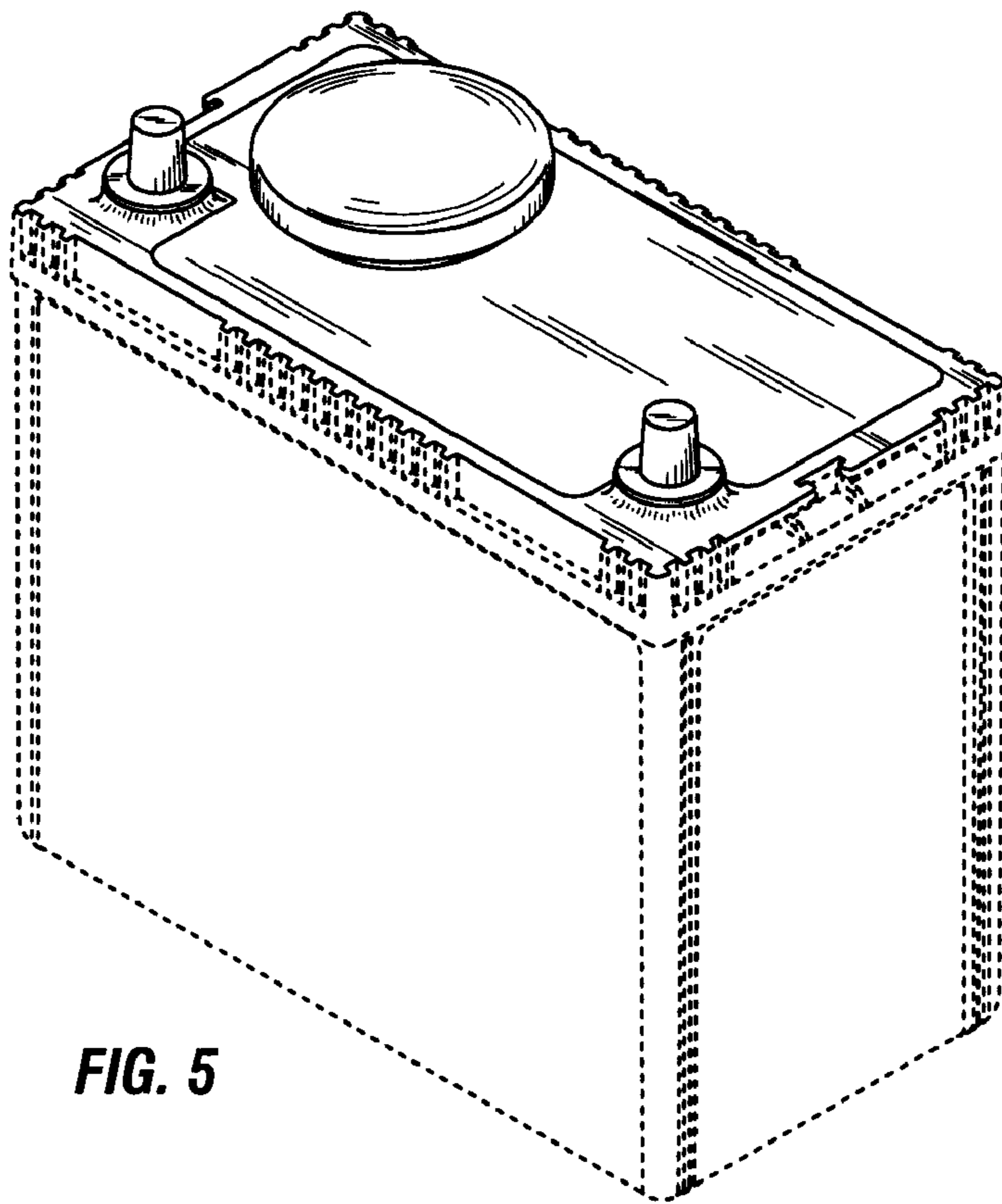


FIG. 5

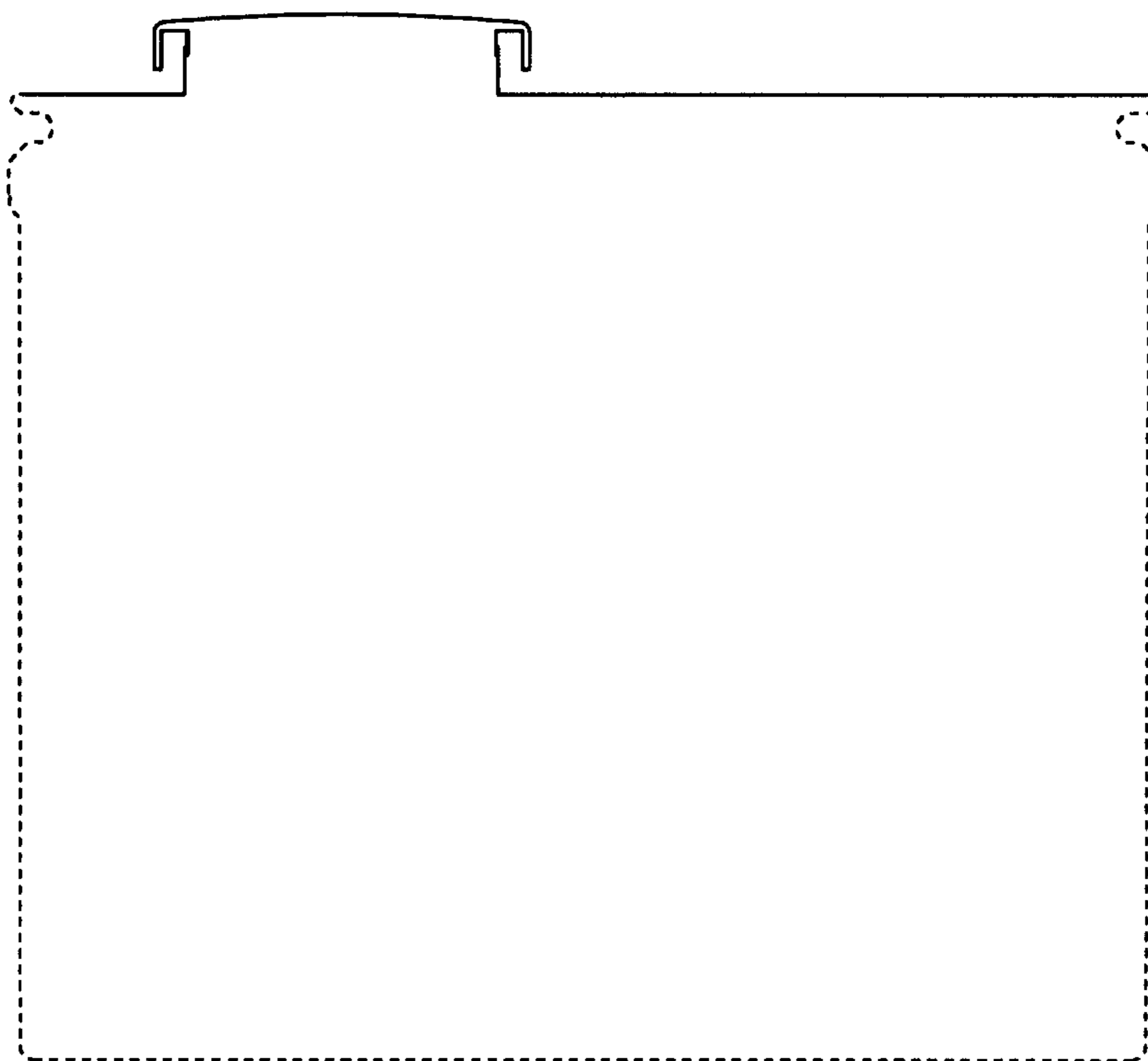


FIG. 6



FIG. 7

UNITED STATES PATENT AND TRADEMARK OFFICE
CERTIFICATE OF CORRECTION

PATENT NO. : Des. 543,938 S
APPLICATION NO. : 29/264005
DATED : June 5, 2007
INVENTOR(S) : Kenzou Kawakita et al.

Page 1 of 1

It is certified that error appears in the above-identified patent and that said Letters Patent is hereby corrected as shown below:

On the Title Page

Under section (73), Assignee, please replace “Yuasa Corporation, Takatsuki-shi, Osaka (JP)” with --GS Yuasa Corporation, Kyoto-shi, Kyoto (JP)--.

Under section (30) Foreign Application Priority Data, please add --October 14, 2003 (JP)2003-030198--.

Under section (30) Foreign Application Priority Data, please add --October 14, 2003 (JP)2003-030200--.

Under section (30) Foreign Application Priority Data, please add --October 14, 2003 (JP)2003-030201--.

Under section (30) Foreign Application Priority Data, please add --October 14, 2003 (JP)2003-030203--.

Signed and Sealed this

Nineteenth Day of February, 2008



JON W. DUDAS
Director of the United States Patent and Trademark Office

UNITED STATES PATENT AND TRADEMARK OFFICE
CERTIFICATE OF CORRECTION

PATENT NO. : Des. 543,938 S
APPLICATION NO. : 29/264005
DATED : June 5, 2007
INVENTOR(S) : Kenzou Kawakita et al.

Page 1 of 2

It is certified that error appears in the above-identified patent and that said Letters Patent is hereby corrected as shown below:

On the Title Page

Under section (73), Assignee, please replace “Yuasa Corporation, Takatsuki-shi, Osaka (JP)” with **--GS Yuasa Corporation, Kyoto-shi, Kyoto (JP)--**.

Under section (30) Foreign Application Priority Data, please add **--October 14, 2003 (JP)2003-030198--**.

Under section (30) Foreign Application Priority Data, please add **--October 14, 2003 (JP)2003-030200--**.

Under section (30) Foreign Application Priority Data, please add **--October 14, 2003 (JP)2003-030201--**.

Under section (30) Foreign Application Priority Data, please add **--October 14, 2003 (JP)2003-030203--**.

Under section (30) Foreign Application Priority Data, please add **--October 14, 2003 (JP)2003-030204--**.

UNITED STATES PATENT AND TRADEMARK OFFICE
CERTIFICATE OF CORRECTION

PATENT NO. : Des. 543,938 S
APPLICATION NO. : 29/264005
DATED : June 5, 2007
INVENTOR(S) : Kenzou Kawakita et al.

Page 2 of 2

It is certified that error appears in the above-identified patent and that said Letters Patent is hereby corrected as shown below:

Under section (30) Foreign Application Priority Data, please add
--October 14, 2003 (JP)2003-030205--.

This certificate supersedes the Certificate of Correction issued February 19, 2008.

Signed and Sealed this

Twenty-fourth Day of June, 2008



JON W. DUDAS
Director of the United States Patent and Trademark Office