

US00D543936S

(12) **United States Design Patent**
Wada

(10) **Patent No.:** **US D543,936 S**

(45) **Date of Patent:** **** Jun. 5, 2007**

(54) **COMBINED CHARGER AND SPEAKER**

(75) Inventor: **Jo Wada**, Tokyo (JP)

(73) Assignee: **Sony Corporation**, Tokyo (JP)

(**) Term: **14 Years**

(21) Appl. No.: **29/254,681**

(22) Filed: **Feb. 28, 2006**

(30) **Foreign Application Priority Data**

Dec. 8, 2005 (JP) D2005-036236

(51) **LOC (8) Cl.** **13-02**

(52) **U.S. Cl.** **D13/108**; D14/168

(58) **Field of Classification Search** D13/107-110,
D13/118-119, 184; D14/168, 204, 216, 251,
D14/253, 432, 434; 320/107-115; 455/573
See application file for complete search history.

(56) **References Cited**

U.S. PATENT DOCUMENTS

D436,943 S	*	1/2001	Hayashi et al.	D14/168
D439,218 S	*	3/2001	Yu	D13/103
D442,574 S	*	5/2001	Ishii	D14/168
D459,882 S	*	7/2002	Yuen	D3/274
D471,174 S	*	3/2003	Tsuge	D14/168
D475,966 S	*	6/2003	Chunn et al.	D13/108

D476,621 S	*	7/2003	Chunn et al.	D13/108
D491,937 S	*	6/2004	Retourne et al.	D14/356
D494,962 S	*	8/2004	Shen	D14/253
D502,934 S	*	3/2005	Rose	D14/168
D514,090 S	*	1/2006	Carbone et al.	D14/214
D524,244 S	*	7/2006	Hussaini et al.	D13/108
D524,287 S	*	7/2006	Hibi	D14/168

* cited by examiner

Primary Examiner—Alan P. Douglas

Assistant Examiner—Rosemary K. Tarcza

(74) *Attorney, Agent, or Firm*—Rader, Fishman & Grauer PLLC

(57) **CLAIM**

The ornamental design for a combined charger and speaker, as shown.

DESCRIPTION

FIG. 1 is a perspective view of a combined charger and speaker showing my new design; FIG. 2 is a front elevational view thereof; FIG. 3 is a rear elevational view thereof; FIG. 4 is a left side elevational view thereof; FIG. 5 is a right side elevational view thereof; FIG. 6 is a top plan view thereof; and, FIG. 7 is a bottom plan view thereof.

1 Claim, 7 Drawing Sheets

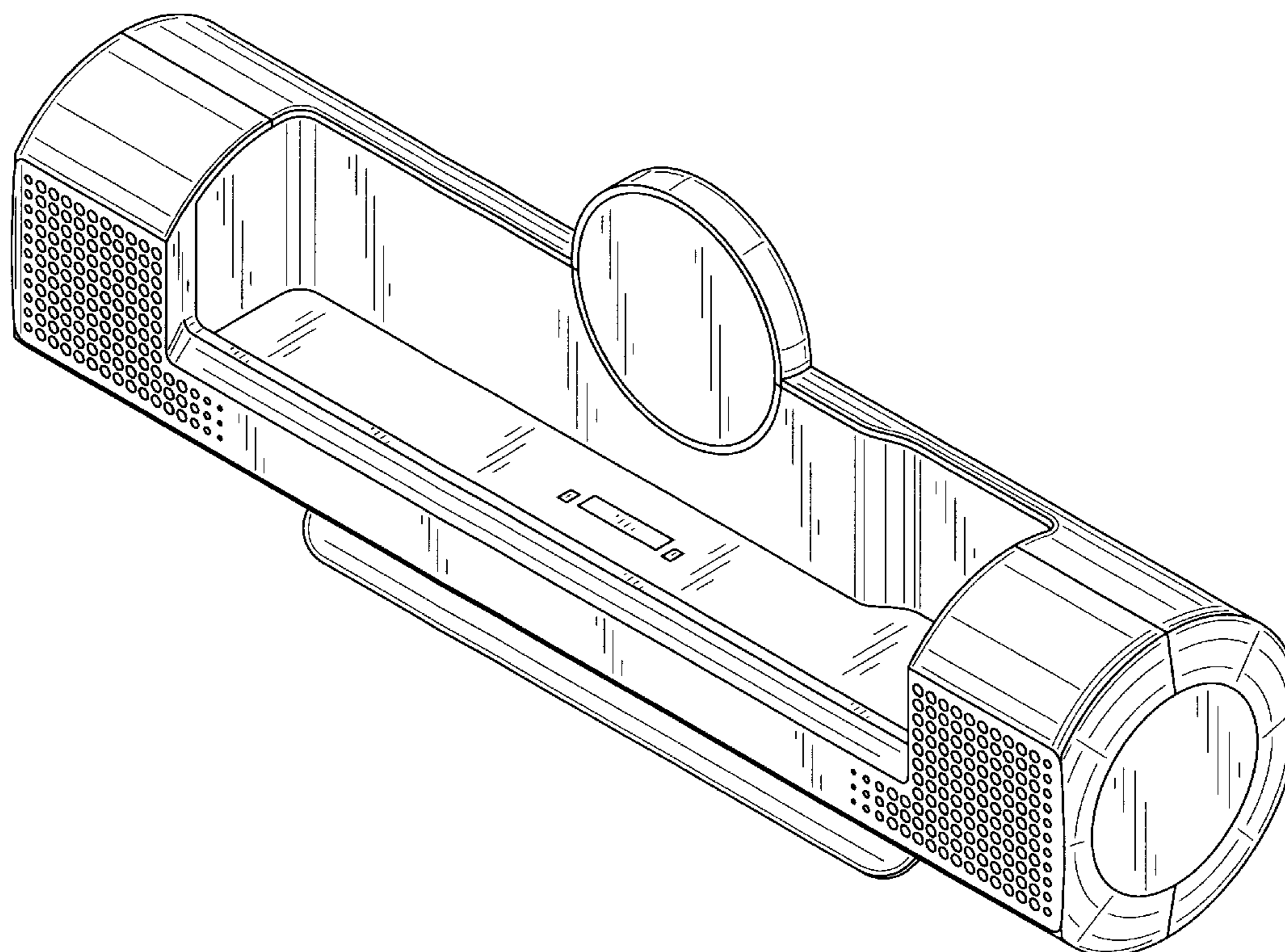


Fig.1

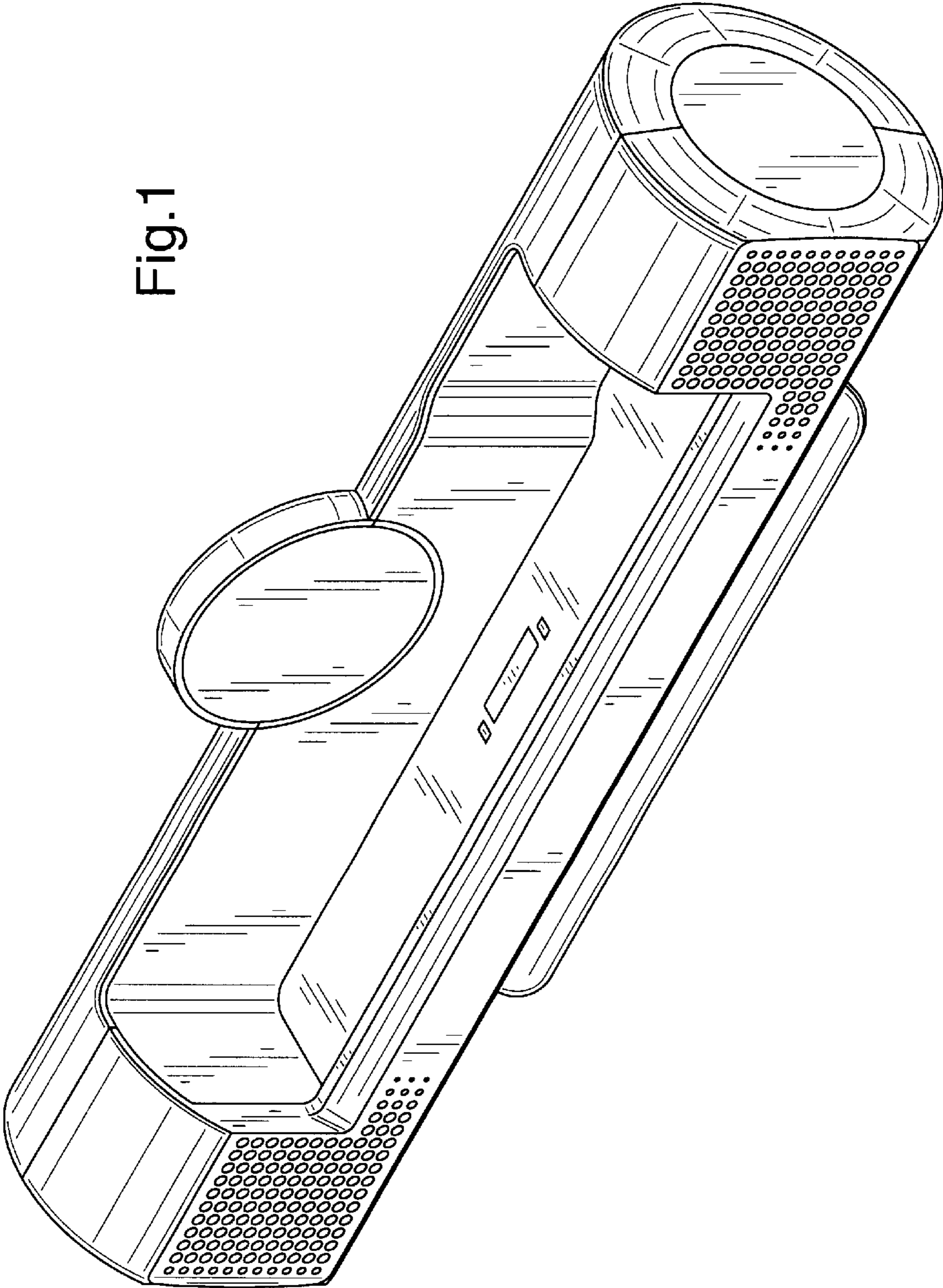


Fig.2

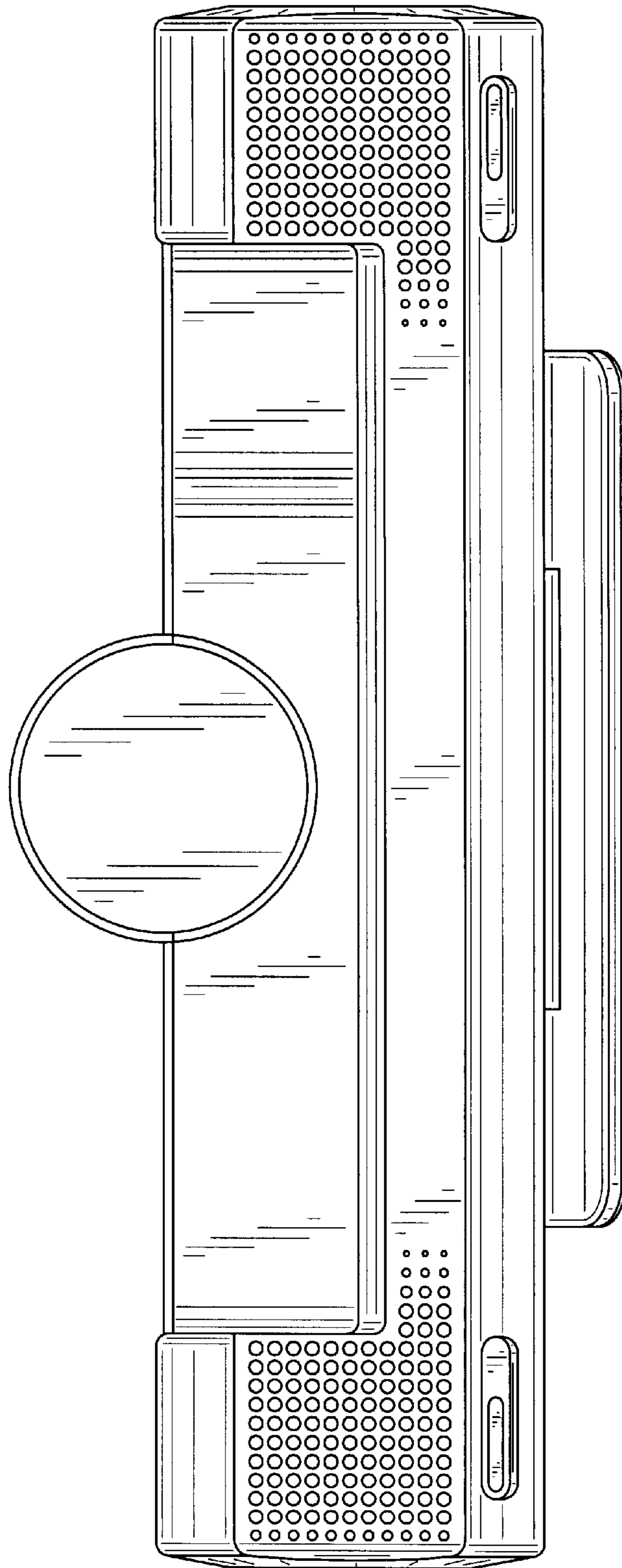


Fig.3

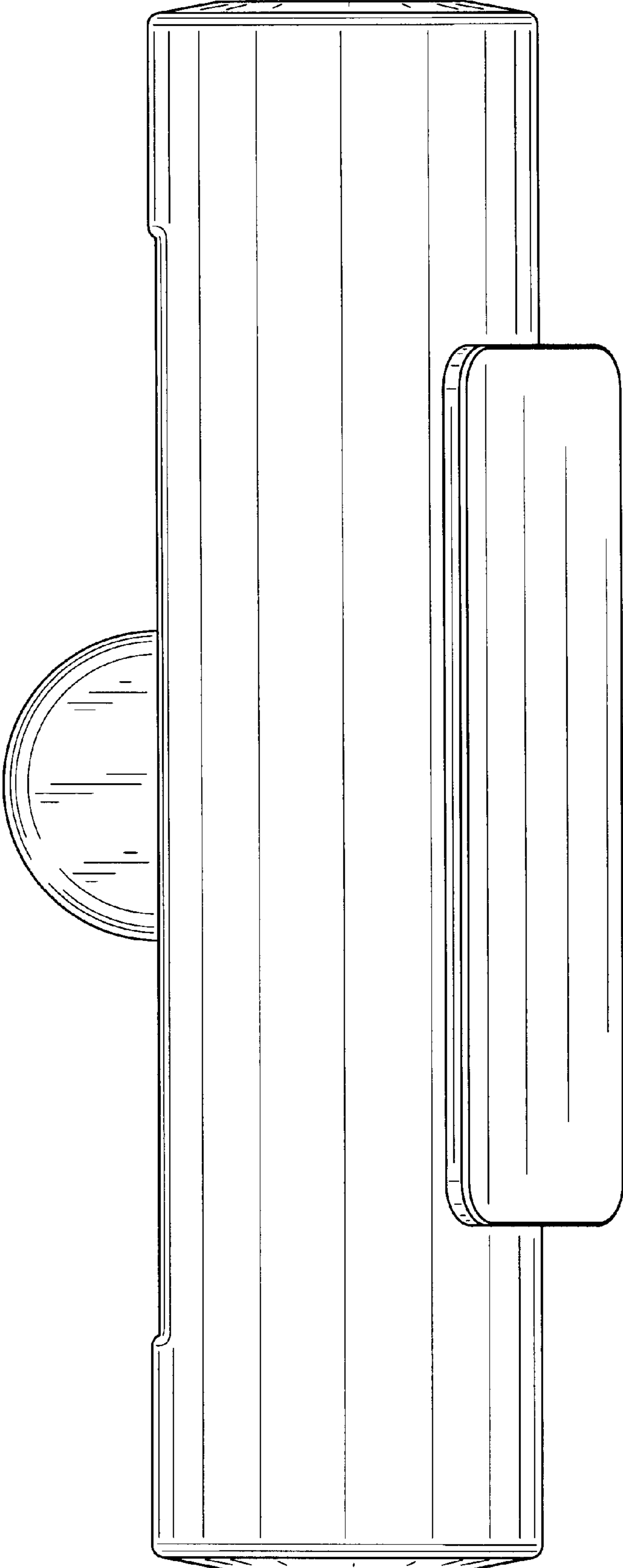


Fig.4

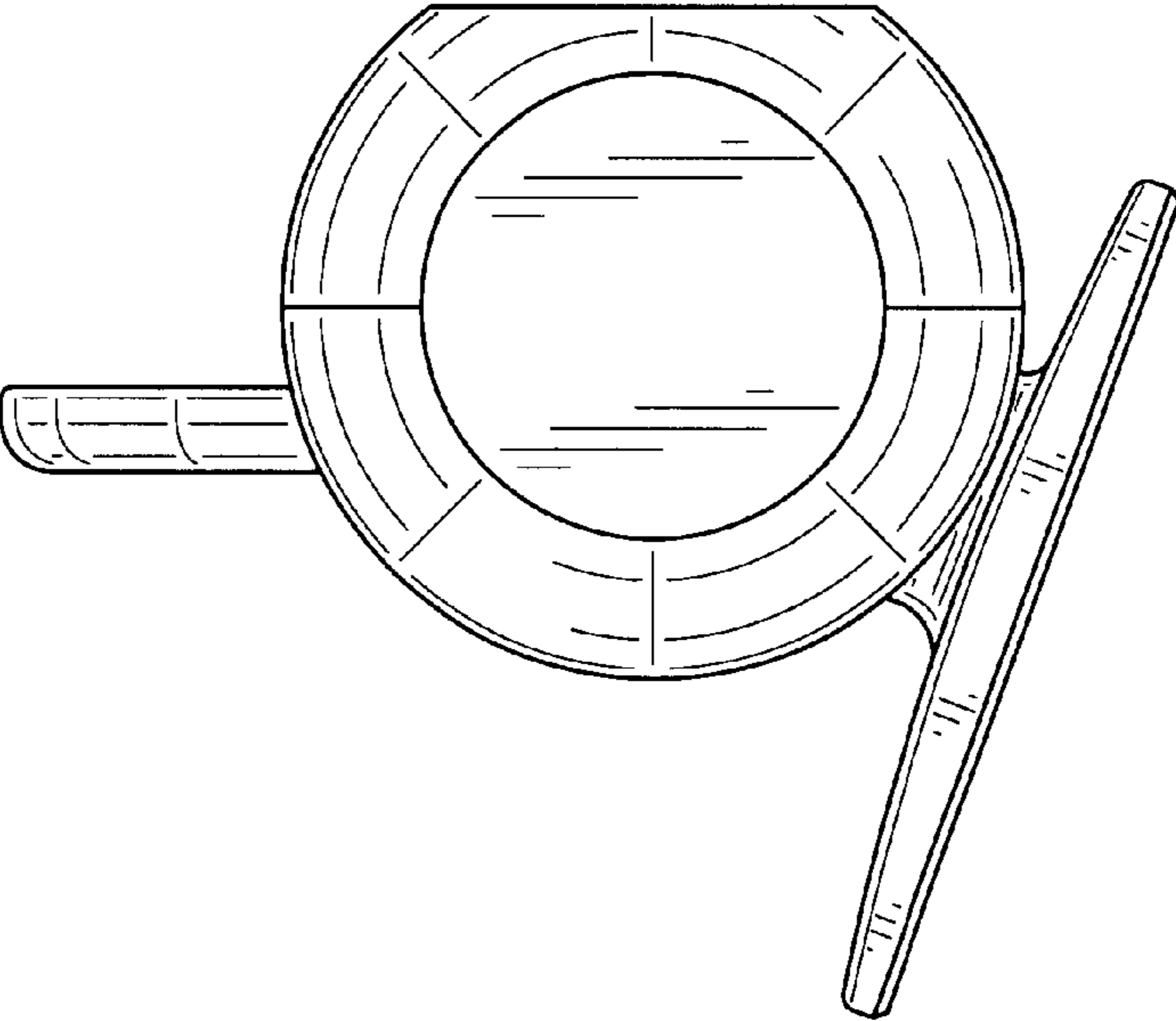


Fig. 5

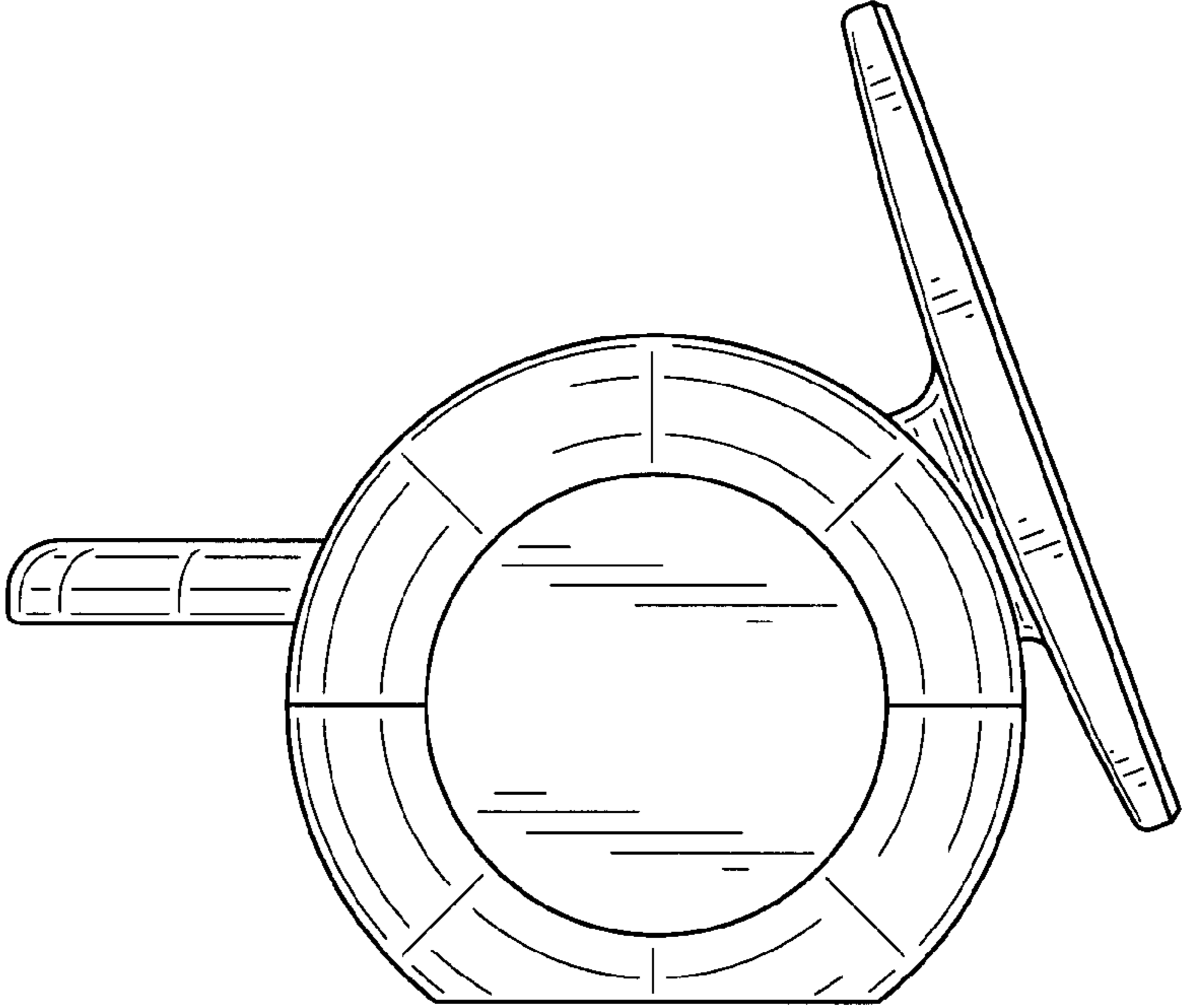


Fig.6

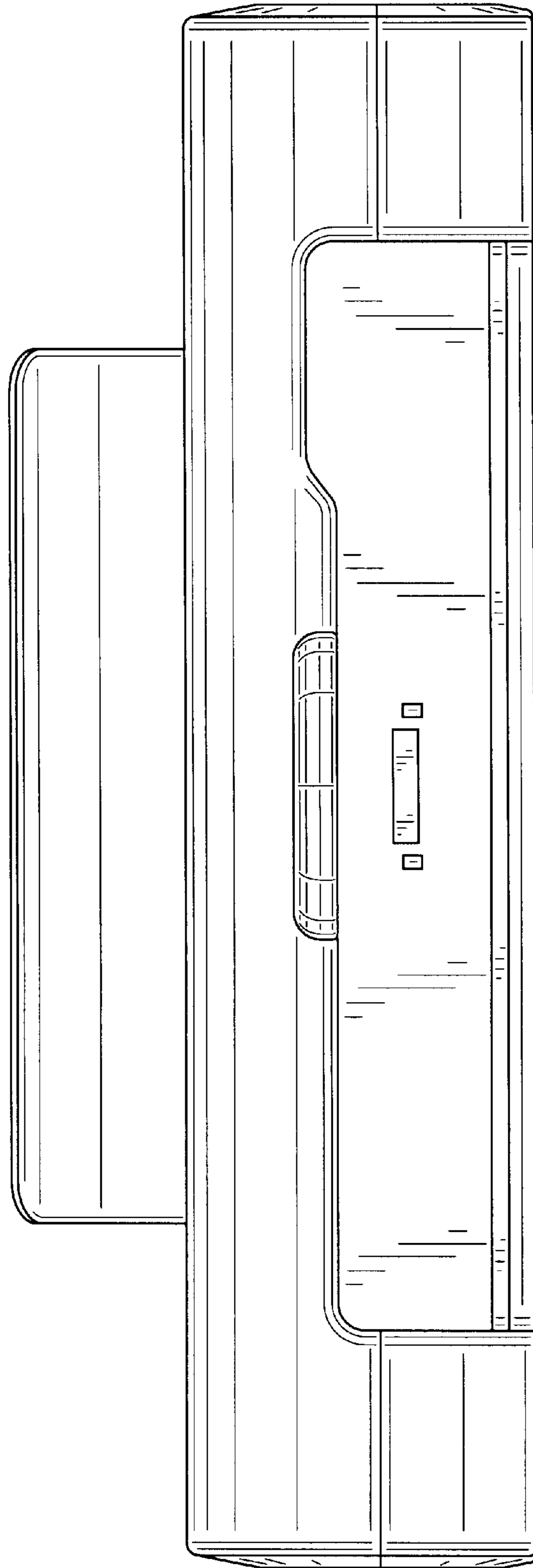


Fig.7

