

US00D543930S

(12) **United States Design Patent**
Vitito

(10) **Patent No.:** **US D543,930 S**

(45) **Date of Patent:** **** Jun. 5, 2007**

(54) **COMBINED ARMREST AND VEHICLE ENTERTAINMENT CENTER**

(76) Inventor: **Christopher J. Vitito**, 514 Longmeadow St., Celebration, FL (US) 34747

(**) Term: **14 Years**

(21) Appl. No.: **29/263,144**

(22) Filed: **Jul. 18, 2006**

(51) **LOC (8) Cl.** **12-16**

(52) **U.S. Cl.** **D12/421**

(58) **Field of Classification Search** 296/24.1, 296/208, 37.13-37.16, 37.1-37.8, 24.34, 296/24.3; D14/129-133, 157, 258, 156, D14/374-375; 348/837-838, 180, 184, 311; 455/344-347; 720/600, 605, 655; D12/415, D12/419-425; 280/750-752; 297/411.2, 297/411.21; 224/311, 926-928, 400, 555, 224/539-543

See application file for complete search history.

(56) **References Cited**

U.S. PATENT DOCUMENTS

D411,980 S *	7/1999	Sacco et al.	D12/425
D425,475 S *	5/2000	Herer	D12/424
D430,104 S *	8/2000	McDonald	D12/421
D453,325 S *	2/2002	Okada et al.	D14/132
D467,562 S *	12/2002	Chang	D14/132
D469,747 S *	2/2003	To et al.	D14/132

D484,454 S *	12/2003	Siegert et al.	D12/423
6,663,155 B1 *	12/2003	Malone et al.	296/37.8
6,719,343 B2 *	4/2004	Emerling et al.	296/24.34
6,746,065 B1 *	6/2004	Chan	296/24.34
D495,989 S *	9/2004	Kohara	D12/424
D508,900 S *	8/2005	Kawano et al.	D14/132
D512,973 S *	12/2005	Schedivy	D14/132

* cited by examiner

Primary Examiner—Stacia Cadmus

(74) *Attorney, Agent, or Firm*—Welsh & Flaxman LLC

(57) **CLAIM**

The ornamental design for combined armrest and vehicle entertainment center, as shown and described.

DESCRIPTION

FIG. 1 is a front perspective view of an combined armrest and vehicle entertainment center showing my new design.

FIG. 2 is a rear perspective view of the combined armrest and vehicle entertainment center.

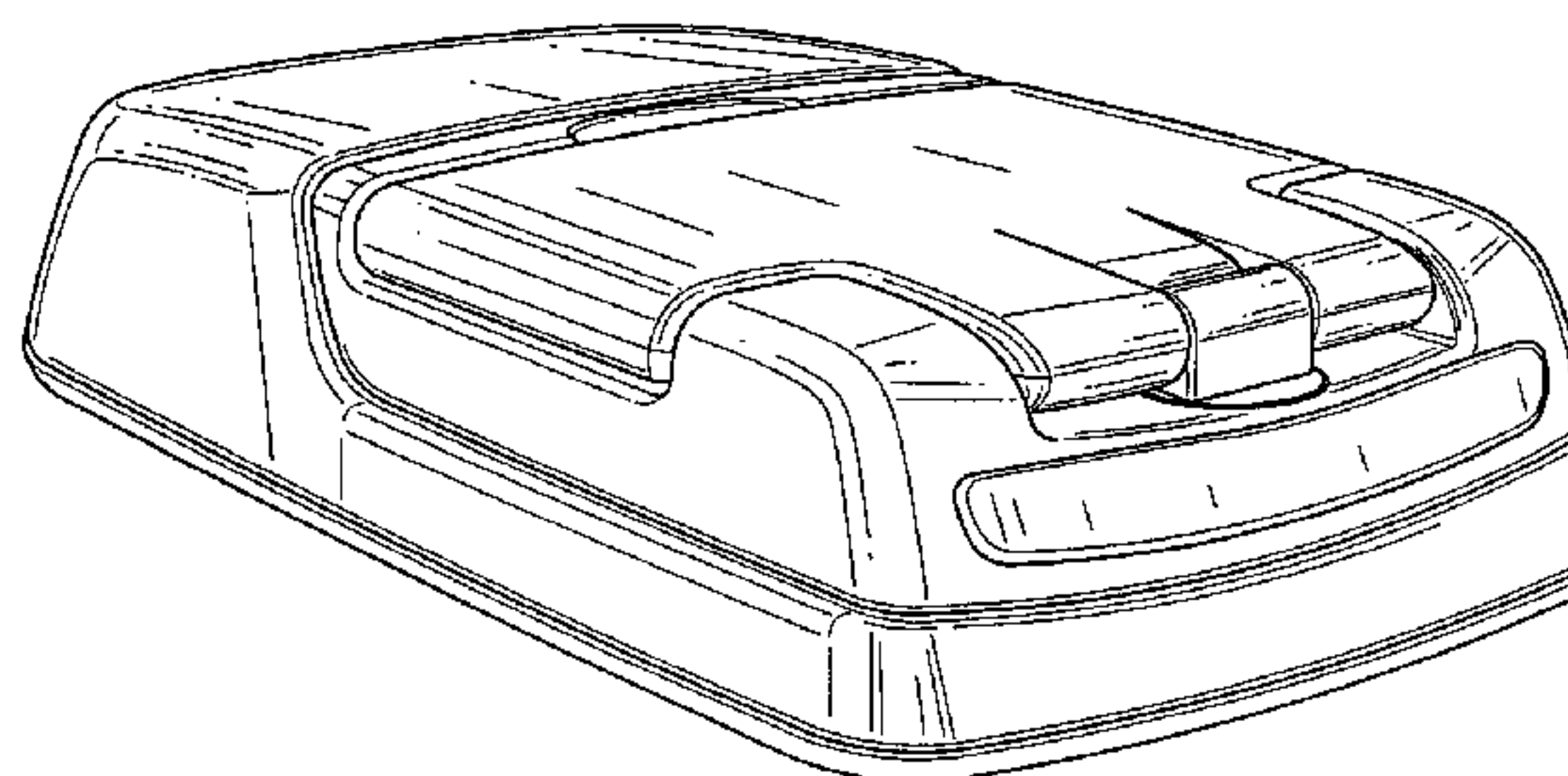
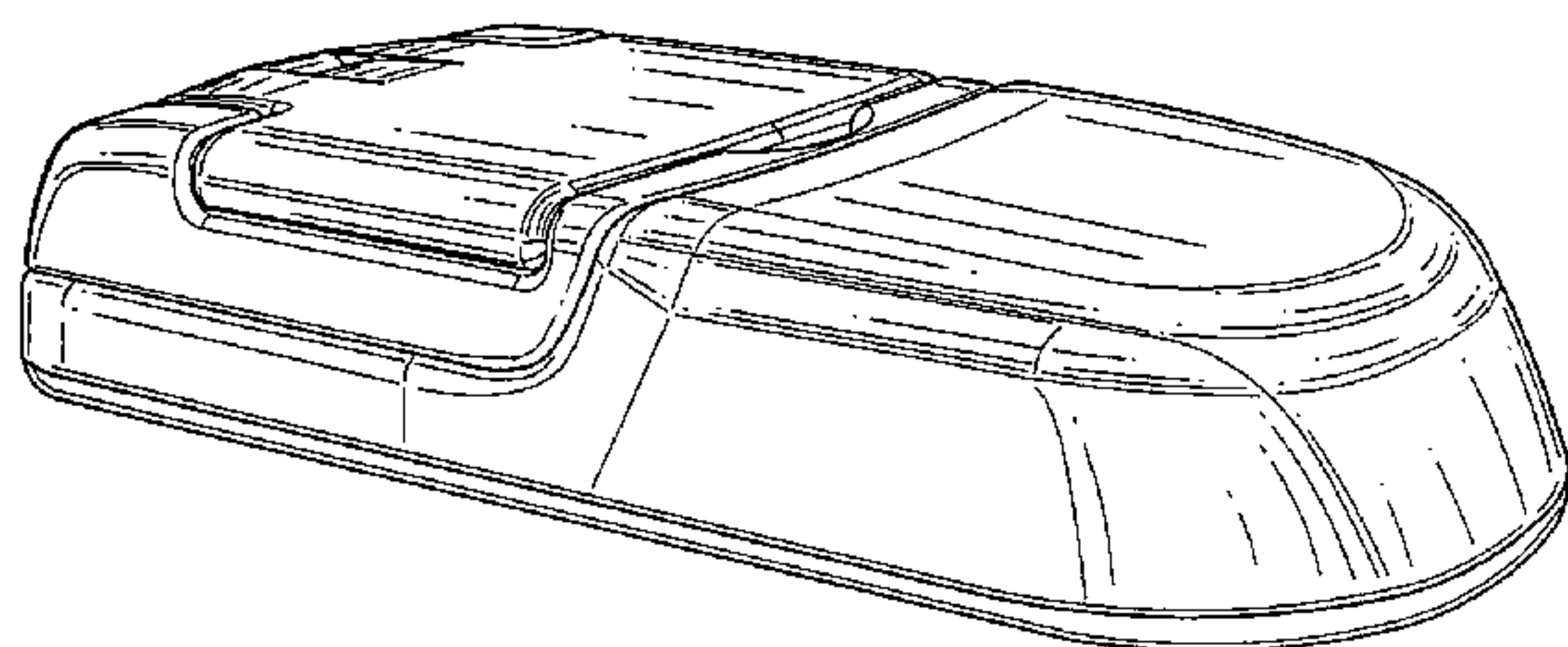
FIG. 3 is a top plan view of the combined armrest and vehicle entertainment center.

FIG. 4 is a side plan view of the combined armrest and vehicle entertainment center.

FIG. 5 is a front plan view of the combined armrest and vehicle entertainment center; and,

FIG. 6 is a rear plan view of the combined armrest and vehicle entertainment center.

1 Claim, 2 Drawing Sheets



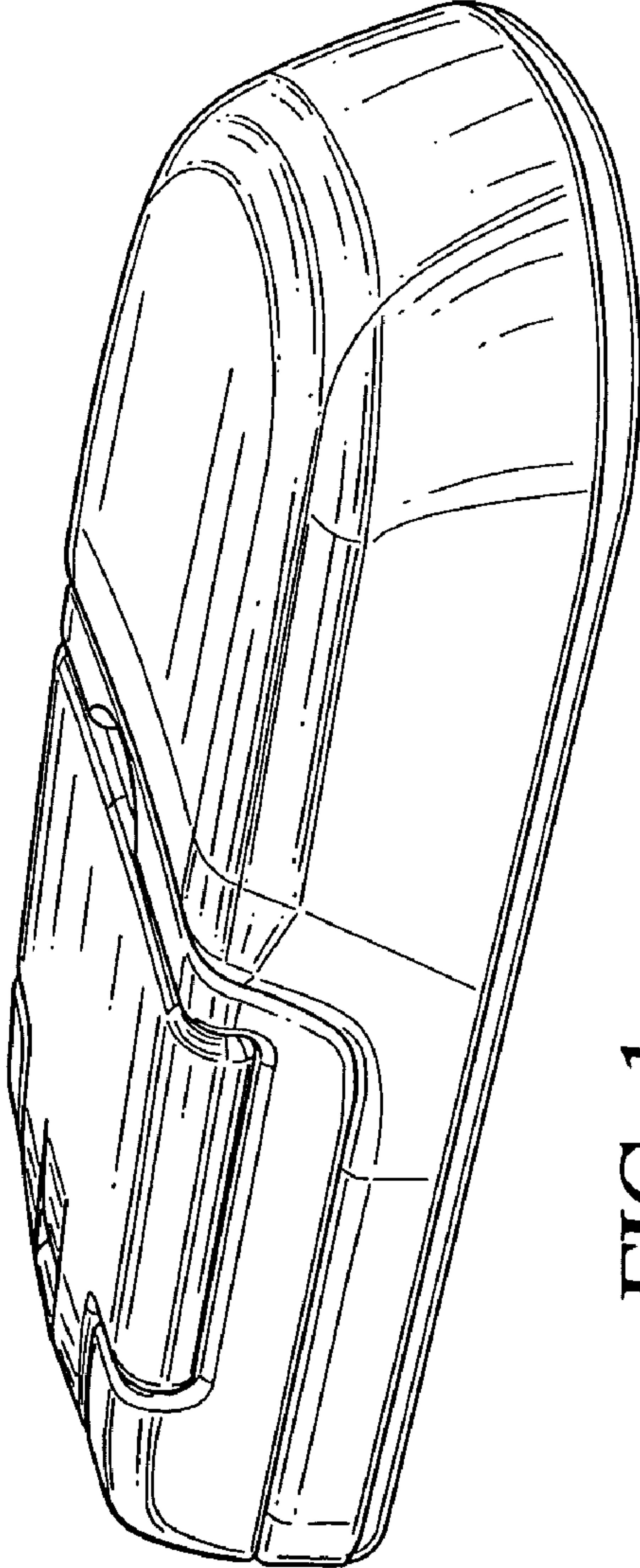
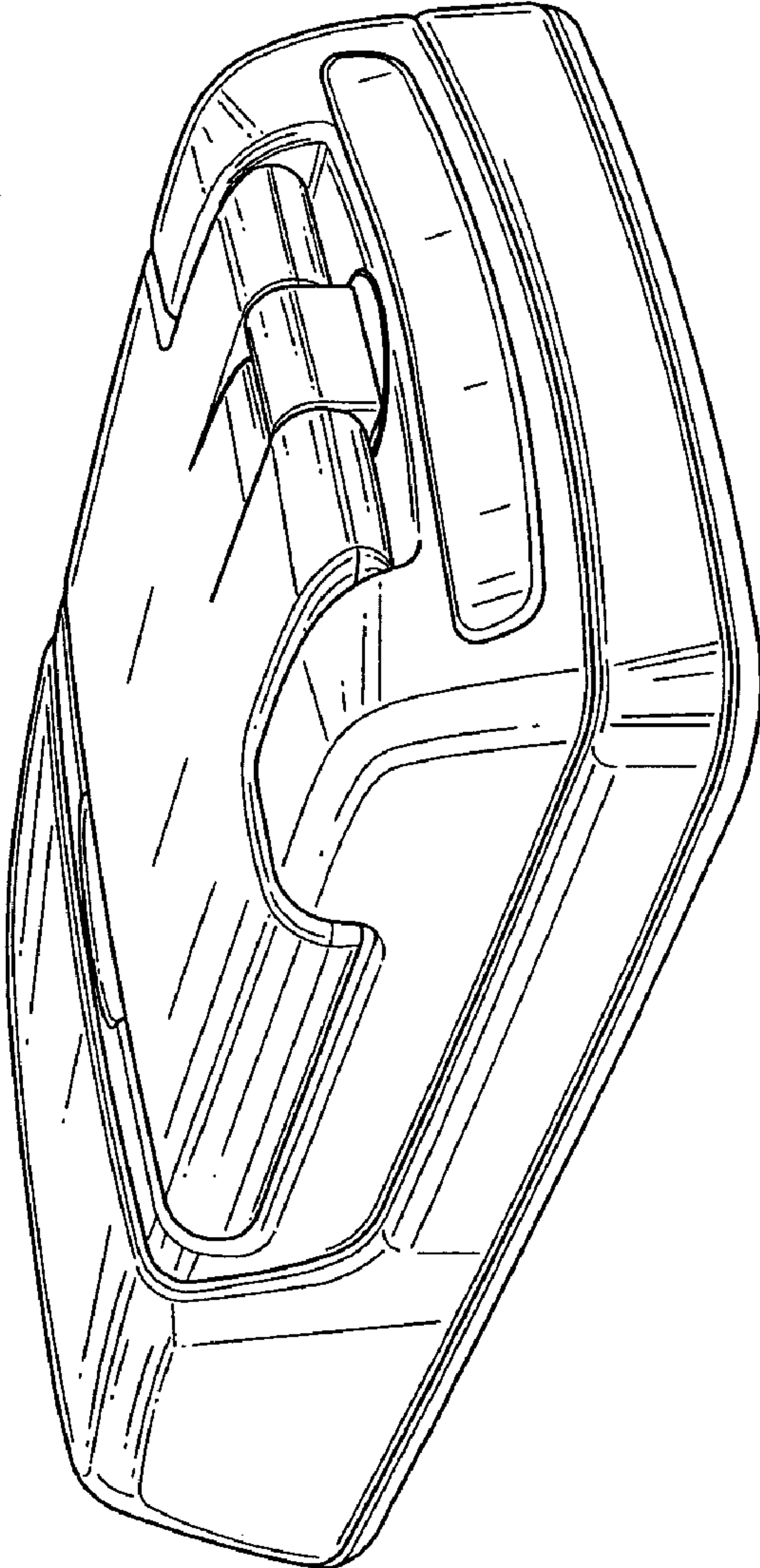


FIG. 1

FIG. 2



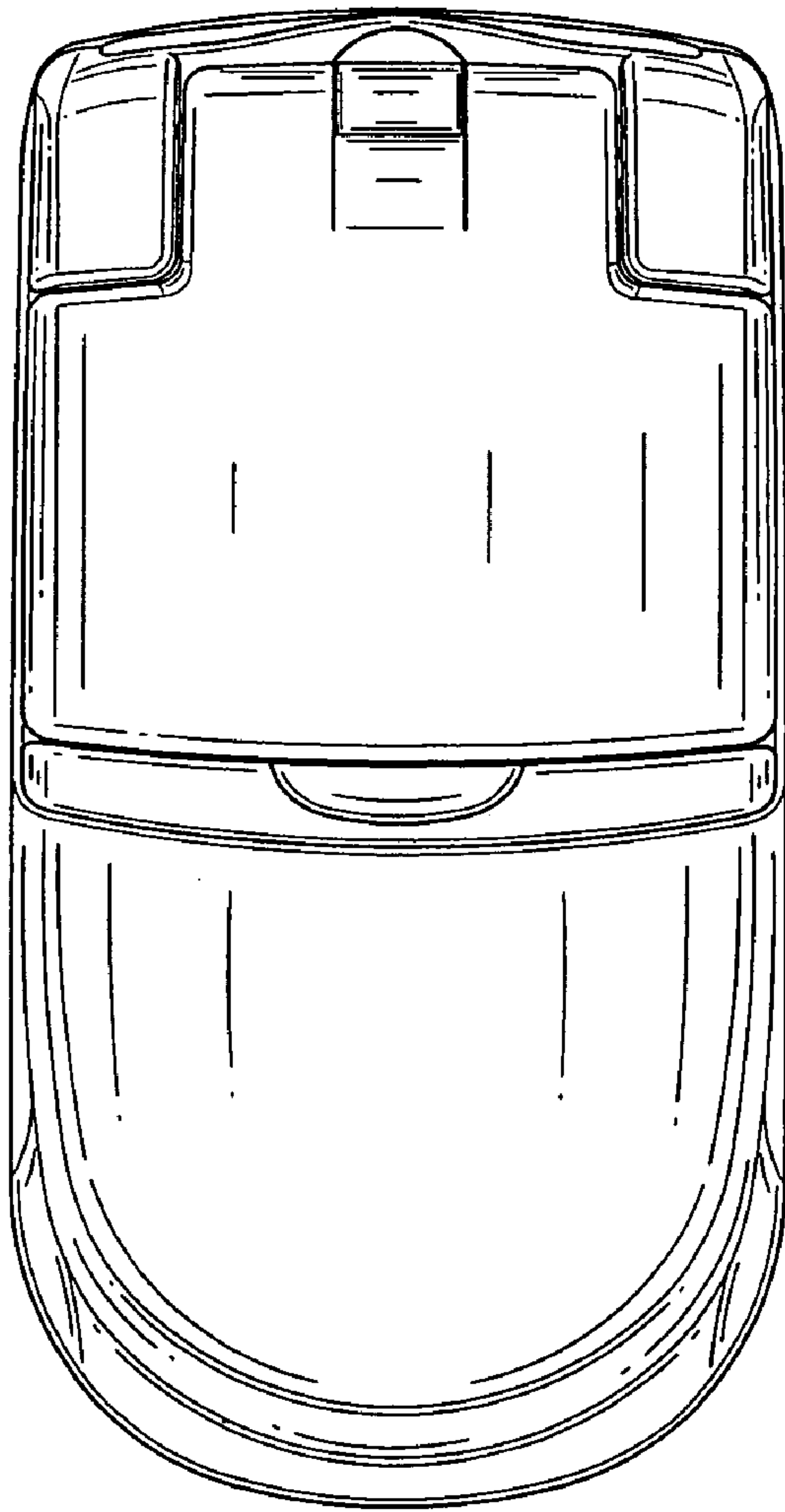


FIG. 3

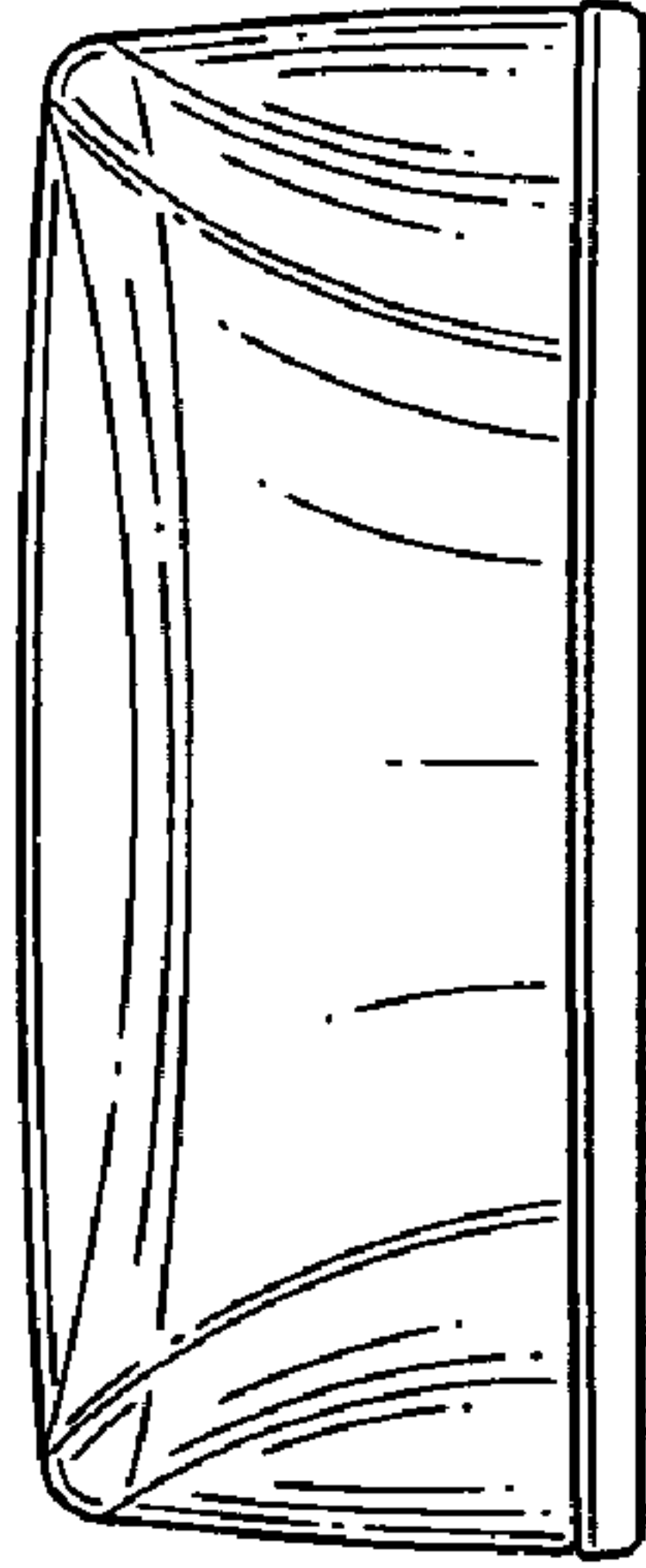


FIG. 5

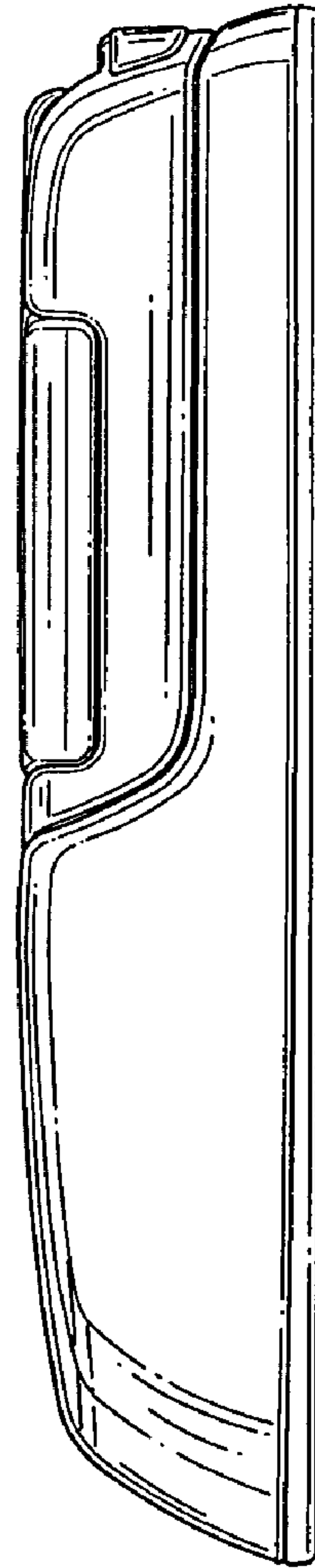


FIG. 4

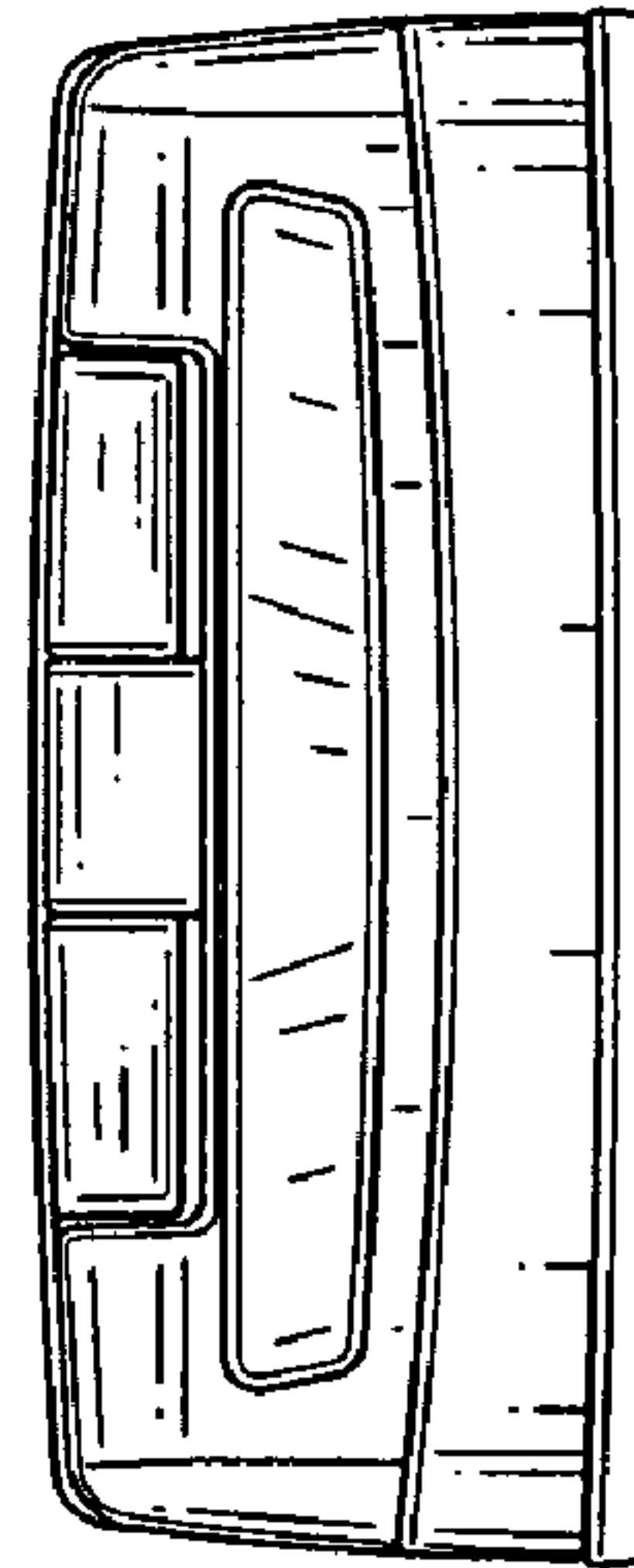


FIG. 6