

US00D543919S

(12) **United States Design Patent**
Hoelzel et al.

(10) **Patent No.:** **US D543,919 S**
(45) **Date of Patent:** **** Jun. 5, 2007**

(54) **VEHICLE SUPPORT PILLAR**

FOREIGN PATENT DOCUMENTS

(75) Inventors: **Guenter Hoelzel**, Hochdorf (DE); **Peter Pfeiffer**, Boeblingen (DE); **Stephen Mattin**, Sindelfingen (DE); **Verena Kloos**, Como (IT); **Michele Jauch-Paganetti**, Bellinzona (CH)

DE 10254343.7 11/2002

OTHER PUBLICATIONS

Ford Motor Company website. Article published Oct. 21, 2003 stating the release of the Benz F500 Concept car at the Tokyo Auto Show (6 sheets).*

(73) Assignee: **DaimlerChrysler AG**, Stuttgart (DE)

* cited by examiner

(**) Term: **14 Years**

Primary Examiner—Cathron C. Brooks
Assistant Examiner—Kelley A. Donnelly

(21) Appl. No.: **29/203,002**

(74) *Attorney, Agent, or Firm*—Crowell & Moring LLP

(22) Filed: **Apr. 8, 2004**

(57) **CLAIM**

(30) **Foreign Application Priority Data**

Oct. 9, 2003 (DE) 4 03 06 495

The ornamental design for a vehicle support pillar, as shown and described.

(51) **LOC (8) Cl.** **12-08**

(52) **U.S. Cl.** **D12/195**

(58) **Field of Classification Search** D12/195,
D12/9, 42-43, 322, 345, 99, 106, 406, 412,
D12/415, 223, 418-419, 192; 296/190-191
See application file for complete search history.

DESCRIPTION

FIG. 1 is a right, front perspective view of a vehicle support pillar according to our novel design;
FIG. 2 is a right, rear perspective view thereof;
FIG. 3 is a right side view thereof;
FIG. 4 is a left, front perspective view thereof;
FIG. 5 is a left, rear perspective view thereof; and,
FIG. 6 is a left side view thereof.

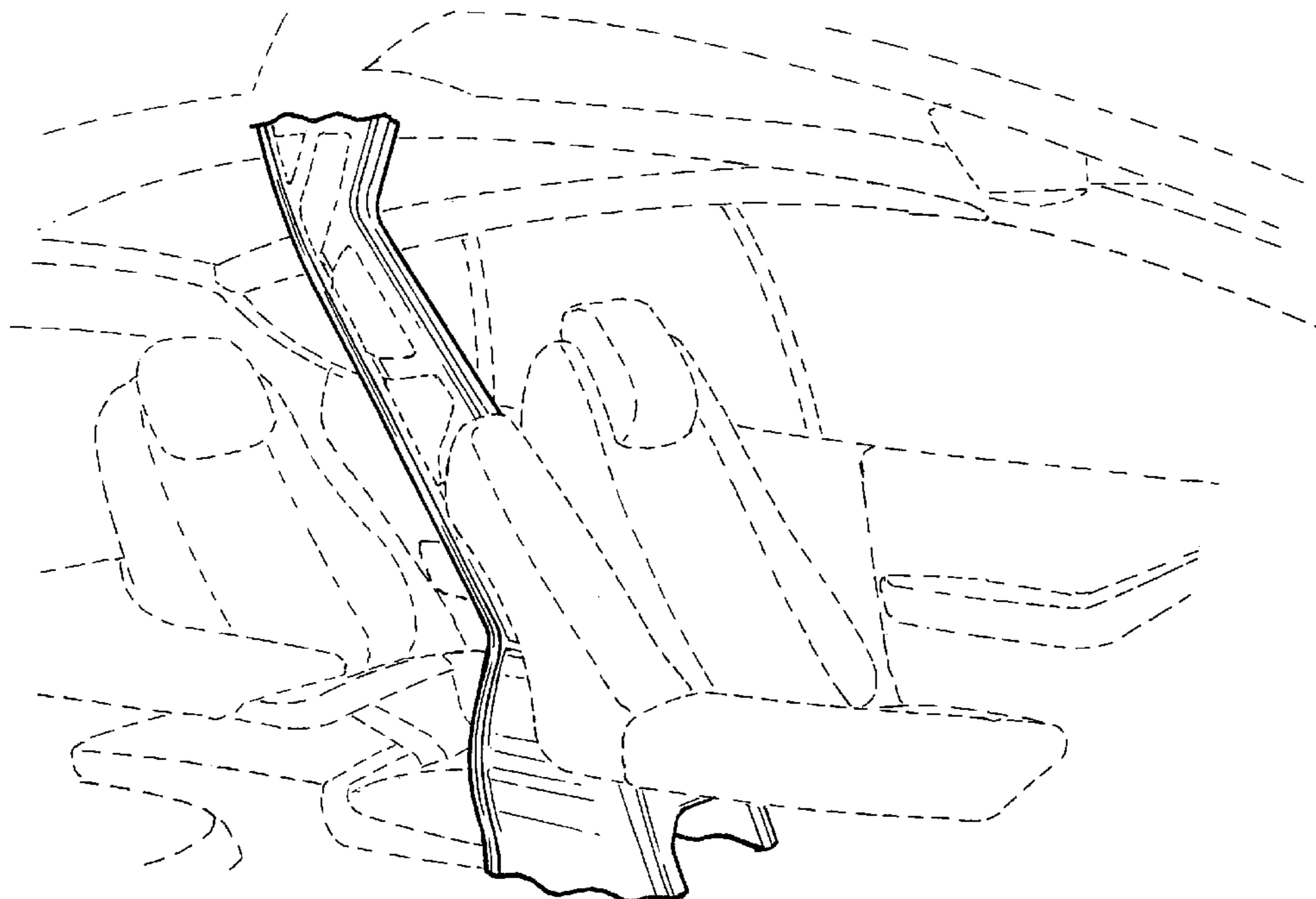
(56) **References Cited**

U.S. PATENT DOCUMENTS

D492,231 S * 6/2004 Robinson D12/192
D505,379 S * 5/2005 Castator et al. D12/415
D508,229 S * 8/2005 Castator et al. D12/415
D516,010 S * 2/2006 Sullivan D12/415

The broken lines are for illustrative purposes only and form no part of the claimed design.

1 Claim, 6 Drawing Sheets



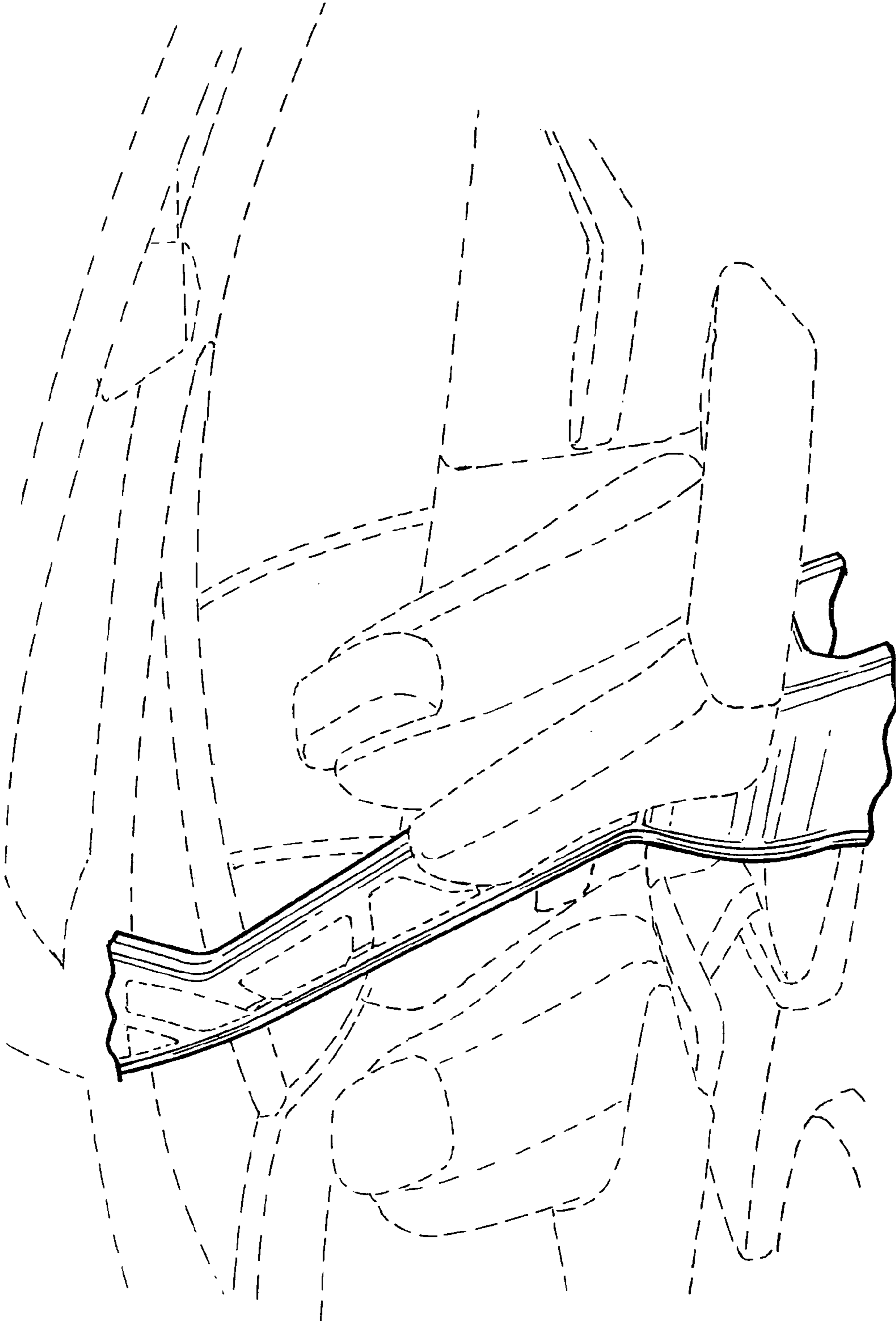


FIG. 1

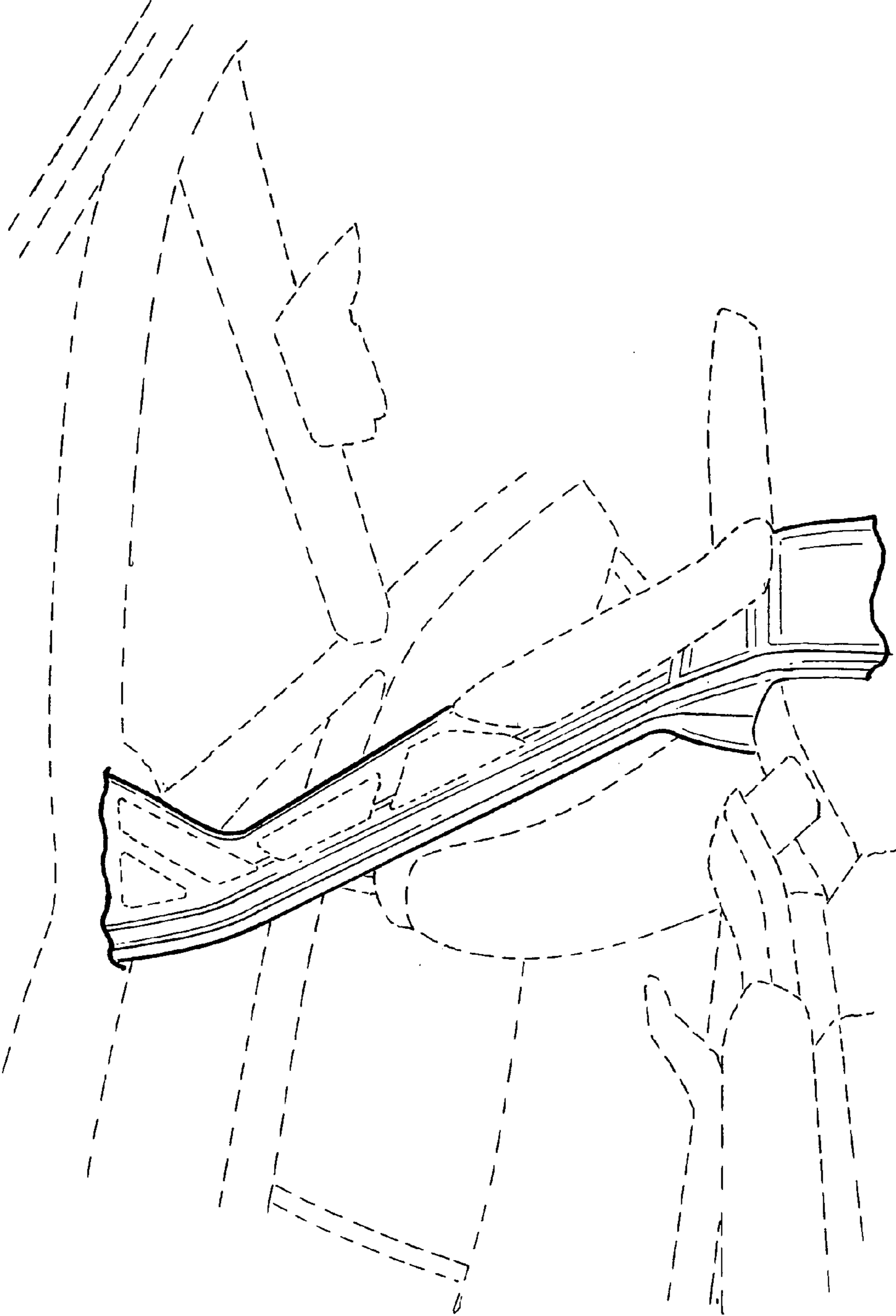


FIG. 2

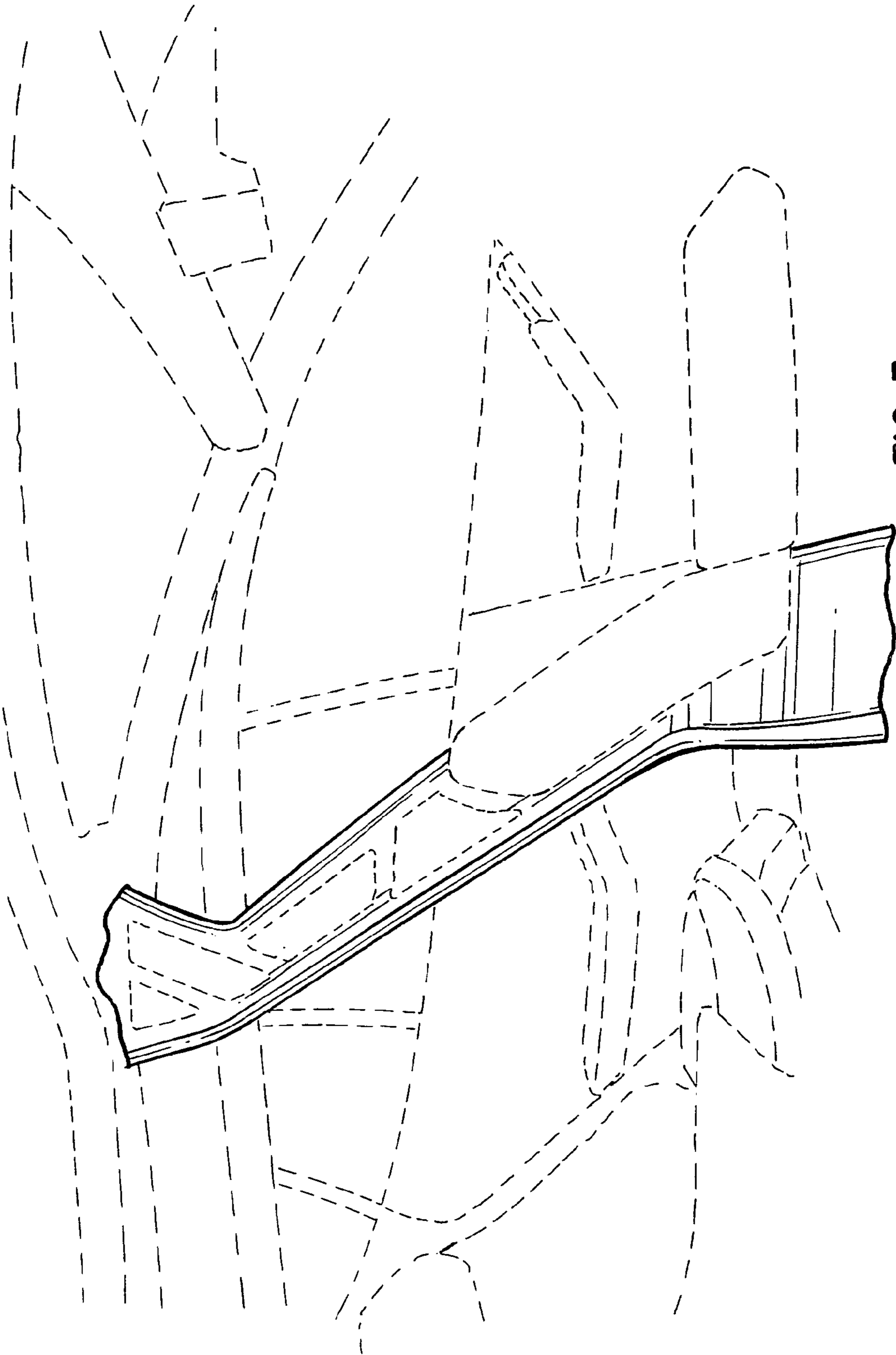


FIG. 3

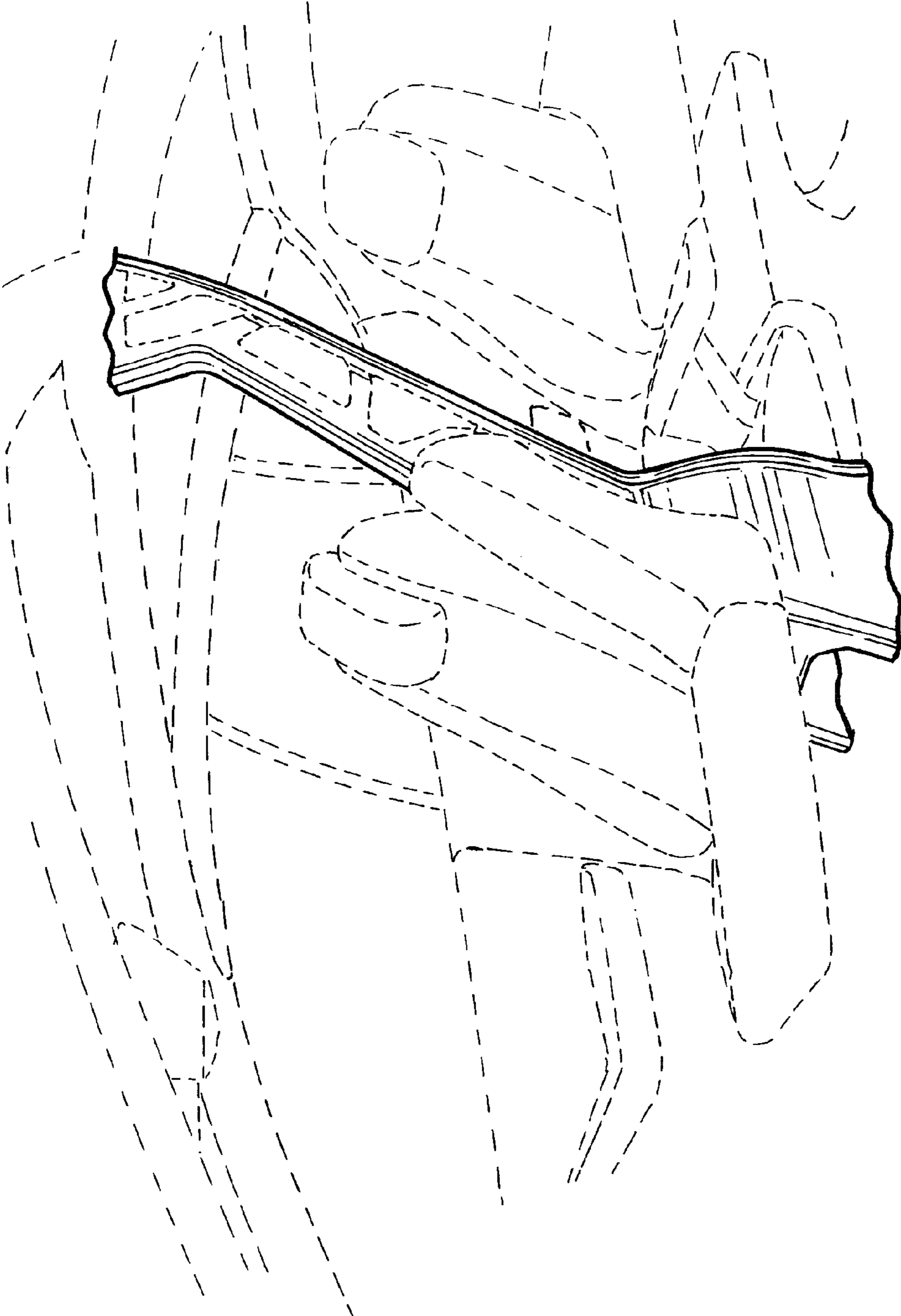


FIG. 4

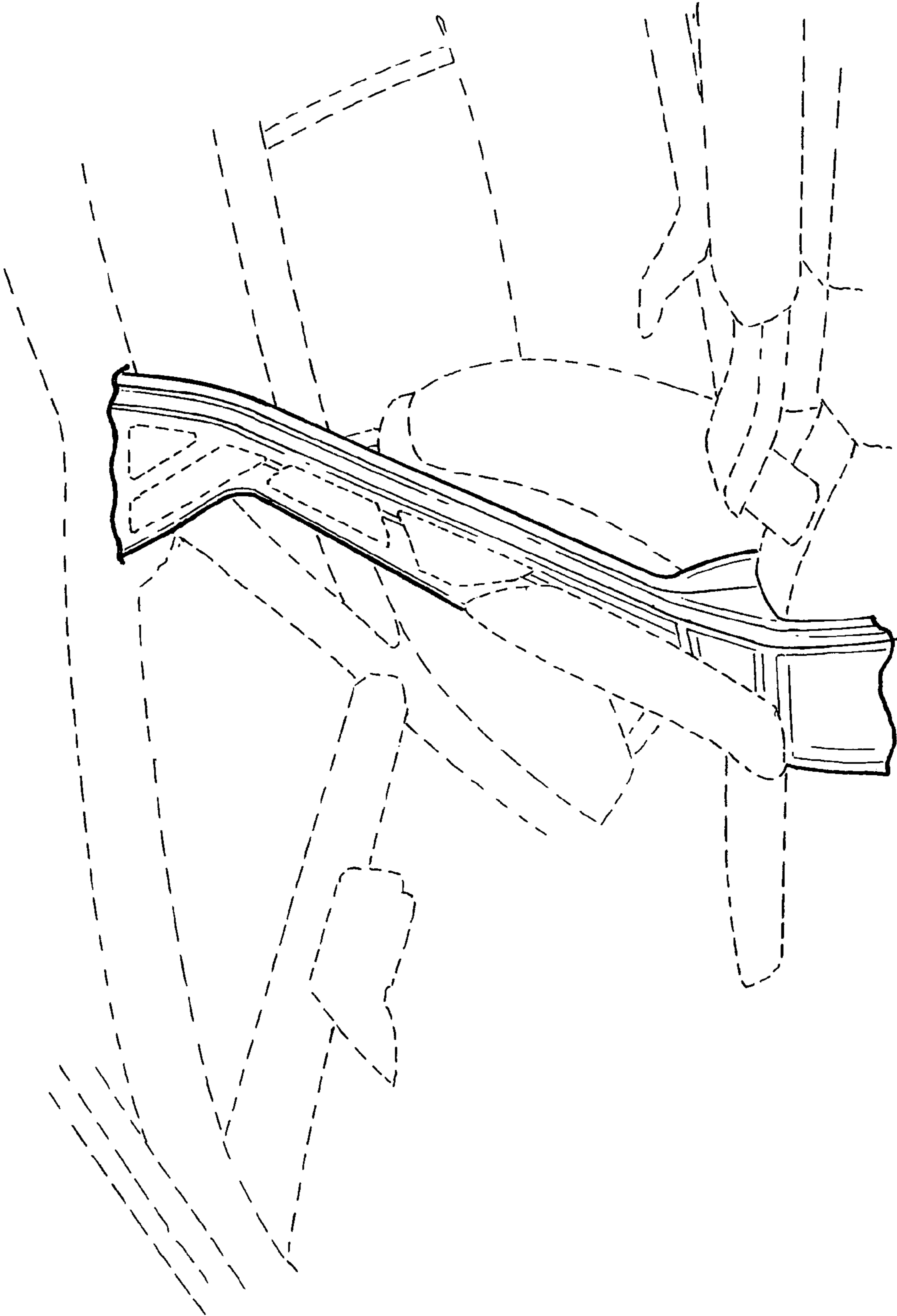


FIG. 5

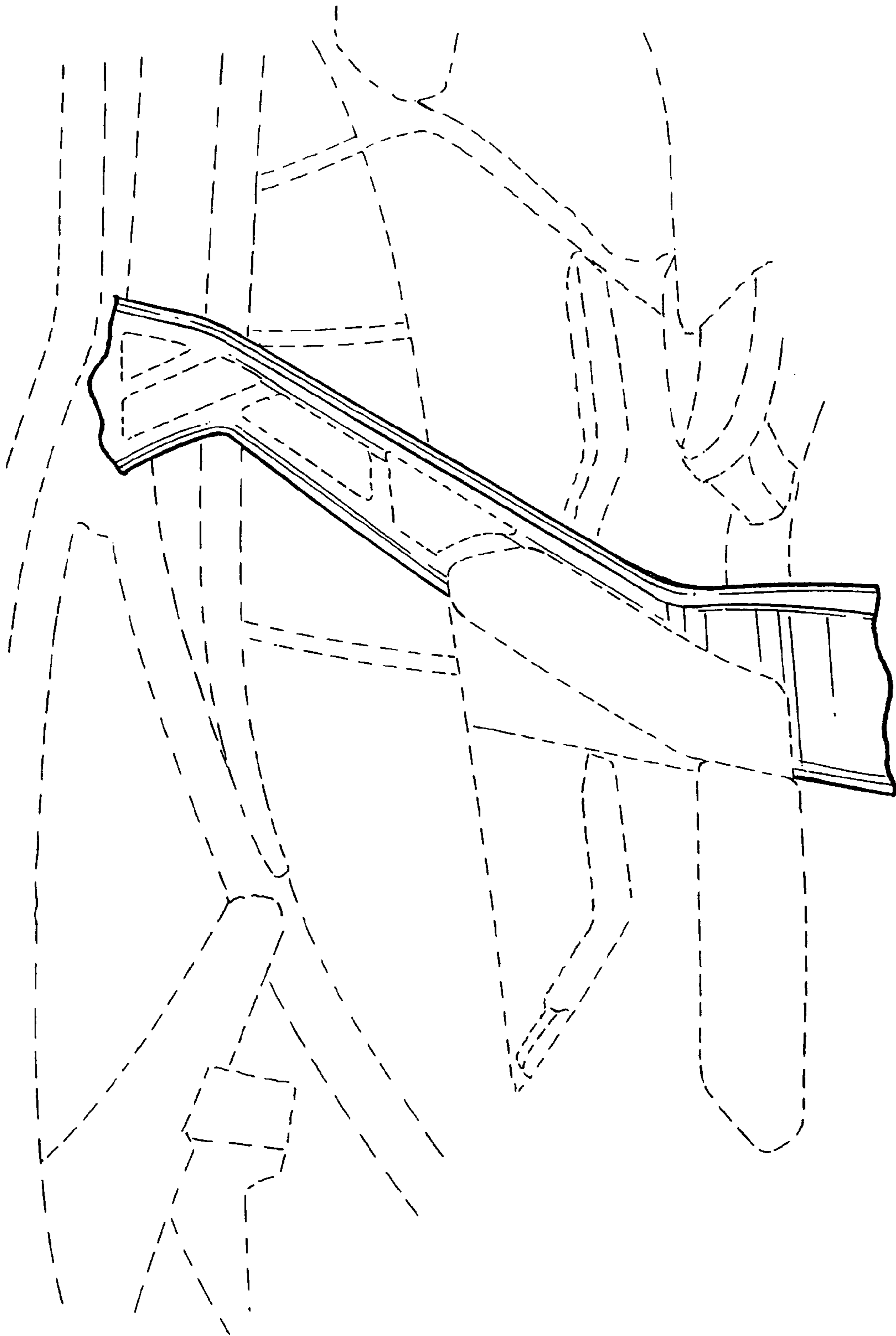


FIG. 6