



US00D543918S

(12) **United States Design Patent**  
**Pfeiffer**

(10) **Patent No.:** **US D543,918 S**  
(45) **Date of Patent:** **\*\* Jun. 5, 2007**

- (54) **SIDE MIRROR FOR A VEHICLE**
- (75) Inventor: **Peter Pfeiffer**, Boeblingen (DE)
- (73) Assignee: **DaimlerChrysler AG**, Stuttgart (DE)
- (\*\*) Term: **14 Years**
- (21) Appl. No.: **29/265,622**
- (22) Filed: **Sep. 6, 2006**
- (30) **Foreign Application Priority Data**  
Mar. 23, 2006 (DE) ..... 40601662
- (51) **LOC (8) Cl.** ..... **12-16**
- (52) **U.S. Cl.** ..... **D12/187**
- (58) **Field of Classification Search** ..... D12/187-189;  
359/838-851, 855-868, 871-881; 248/475.1,  
248/476, 480-481, 485-487  
See application file for complete search history.

- (56) **References Cited**  
U.S. PATENT DOCUMENTS  
D410,421 S \* 6/1999 Pfeiffer ..... D12/187

(Continued)

*Primary Examiner*—Stacia Cadmus  
(74) *Attorney, Agent, or Firm*—Crowell & Moring LLP

(57) **CLAIM**

The ornamental design for a side mirror for a vehicle, as shown and described.

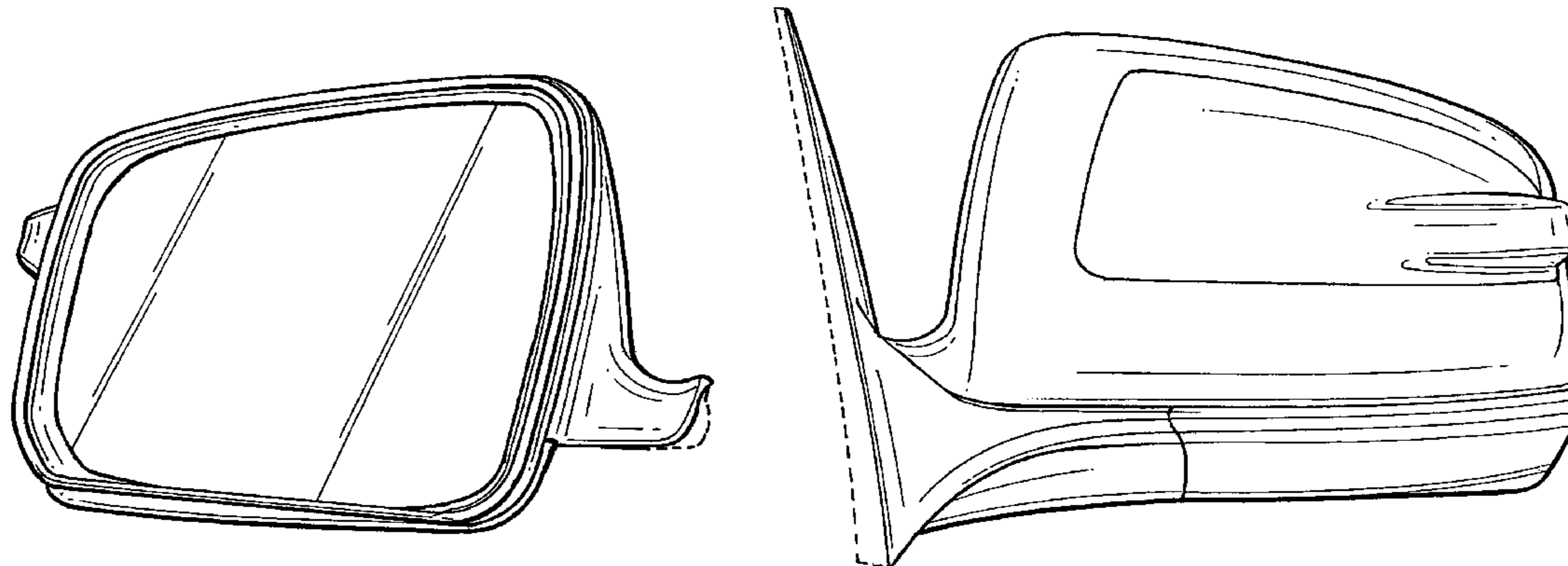
**DESCRIPTION**

FIG. 1 is a rear view of a first embodiment of a side mirror for a vehicle according to my novel design;  
FIG. 2 is a rear perspective view thereof;  
FIG. 3 is a front view thereof;

FIG. 4 is a side view thereof;  
FIG. 5 is a front perspective view thereof;  
FIG. 6 is a top view thereof; and  
FIG. 7 is a bottom view thereof.  
FIG. 8 is a rear view of a second embodiment of the side mirror for a vehicle according to my novel design;  
FIG. 9 is a rear perspective view thereof;  
FIG. 10 is a front view thereof;  
FIG. 11 is a side view thereof;  
FIG. 12 is a front perspective view thereof;  
FIG. 13 is a top view thereof; and  
FIG. 14 is a bottom view thereof.  
FIG. 15 is a rear view of a third embodiment of the side mirror for a vehicle according to my novel design;  
FIG. 16 is a rear perspective view thereof;  
FIG. 17 is a front view thereof;  
FIG. 18 is a side view thereof;  
FIG. 19 is a front perspective view thereof;  
FIG. 20 is a top view thereof; and  
FIG. 21 is a bottom view thereof.  
FIG. 22 is a rear view of a fourth embodiment of the side mirror for a vehicle according to my novel design;  
FIG. 23 is a rear perspective view thereof;  
FIG. 24 is a front view thereof;  
FIG. 25 is a side view thereof;  
FIG. 26 is a front perspective view thereof;  
FIG. 27 is a top view thereof; and  
FIG. 28 is a bottom view thereof.

The broken lines are for illustrative purposes only and form no part of the claimed design.

**1 Claim, 16 Drawing Sheets**



# US D543,918 S

Page 2

---

## U.S. PATENT DOCUMENTS

D430,839 S *	9/2000	Goplen .....	D12/187	D500,274 S *	12/2004	Pfeiffer .....	D12/187
D445,386 S *	7/2001	Sacco et al. ....	D12/187	D506,169 S *	6/2005	Pfeiffer et al. ....	D12/187
D463,342 S *	9/2002	Sinkwitz .....	D12/187	D506,962 S *	7/2005	Kulla .....	D12/187
D496,616 S *	9/2004	Hoelzel et al. ....	D12/187	D511,127 S *	11/2005	Elmitt .....	D12/187
D500,273 S *	12/2004	Otto et al. ....	D12/187	D516,480 S *	3/2006	Nagashima .....	D12/187

\* cited by examiner

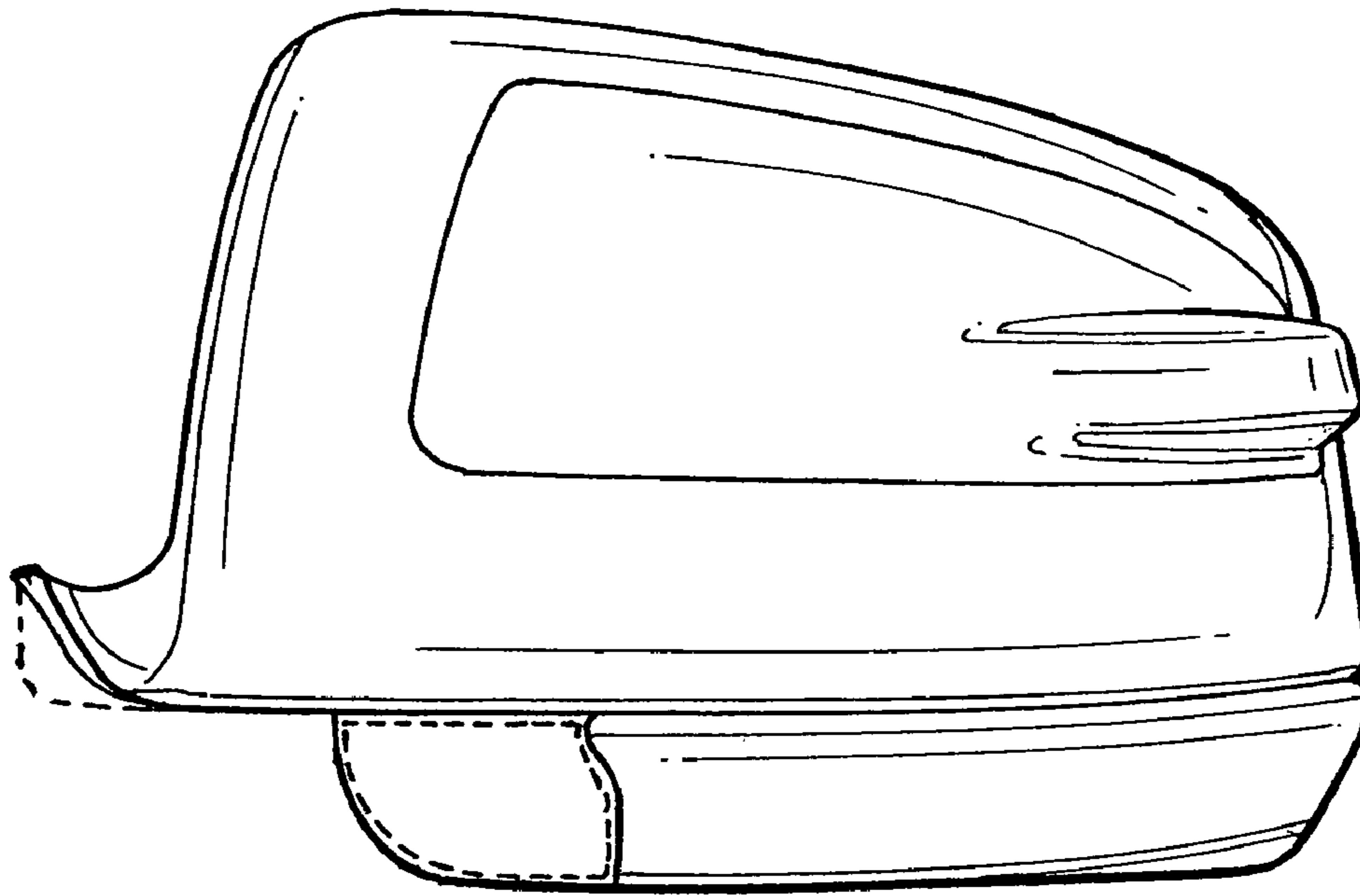


FIG. 1

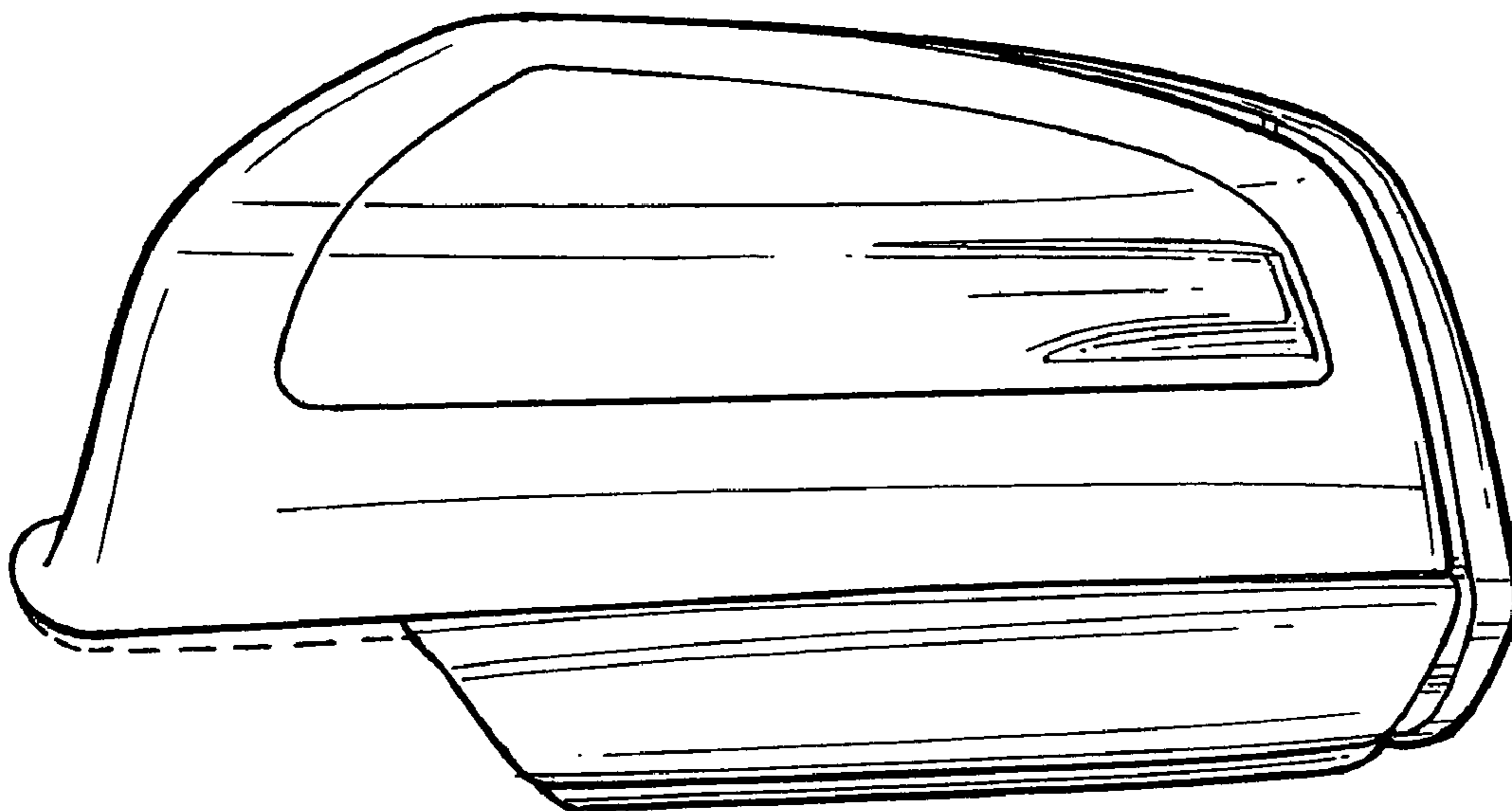


FIG. 2

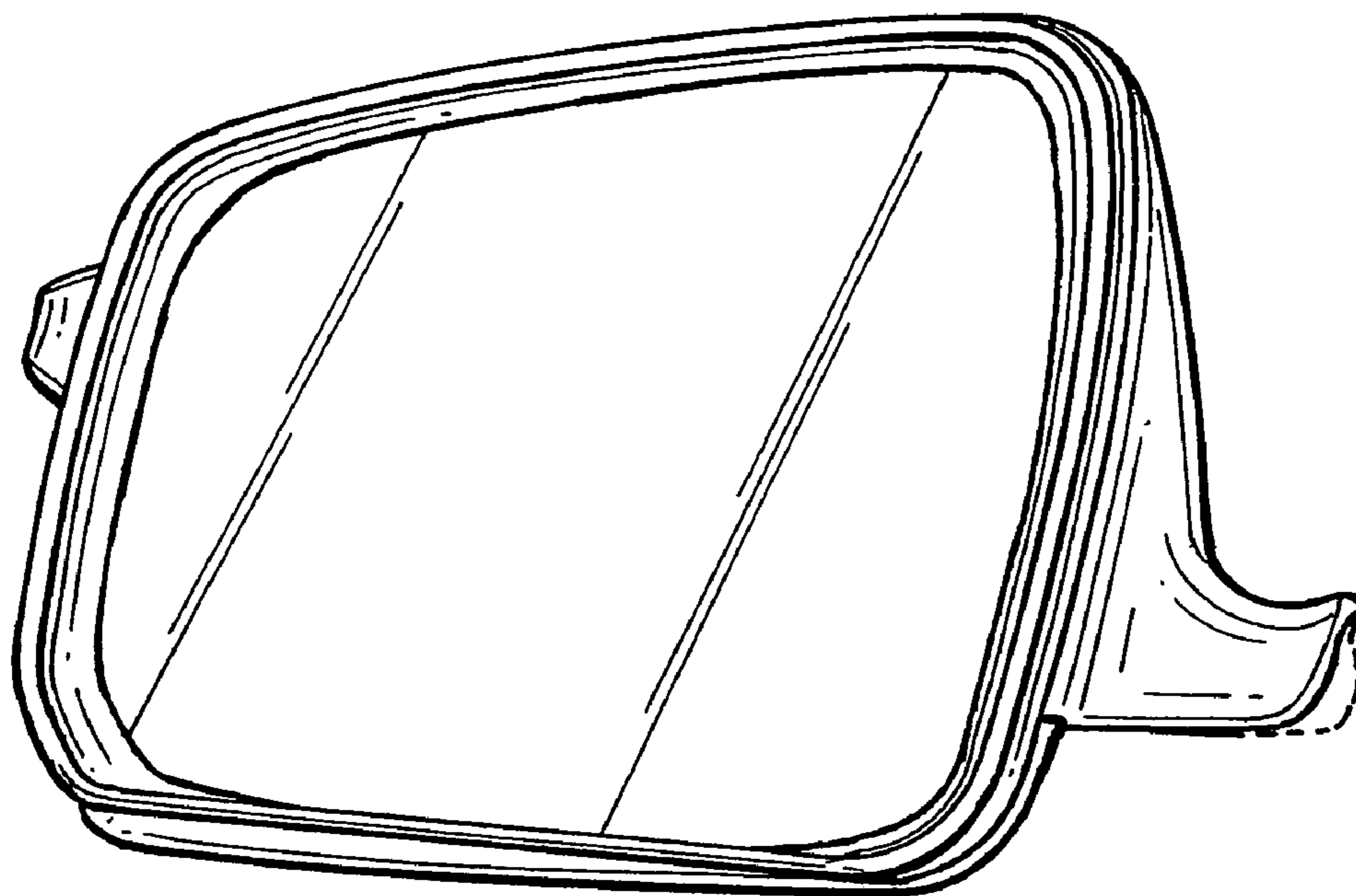


FIG. 3

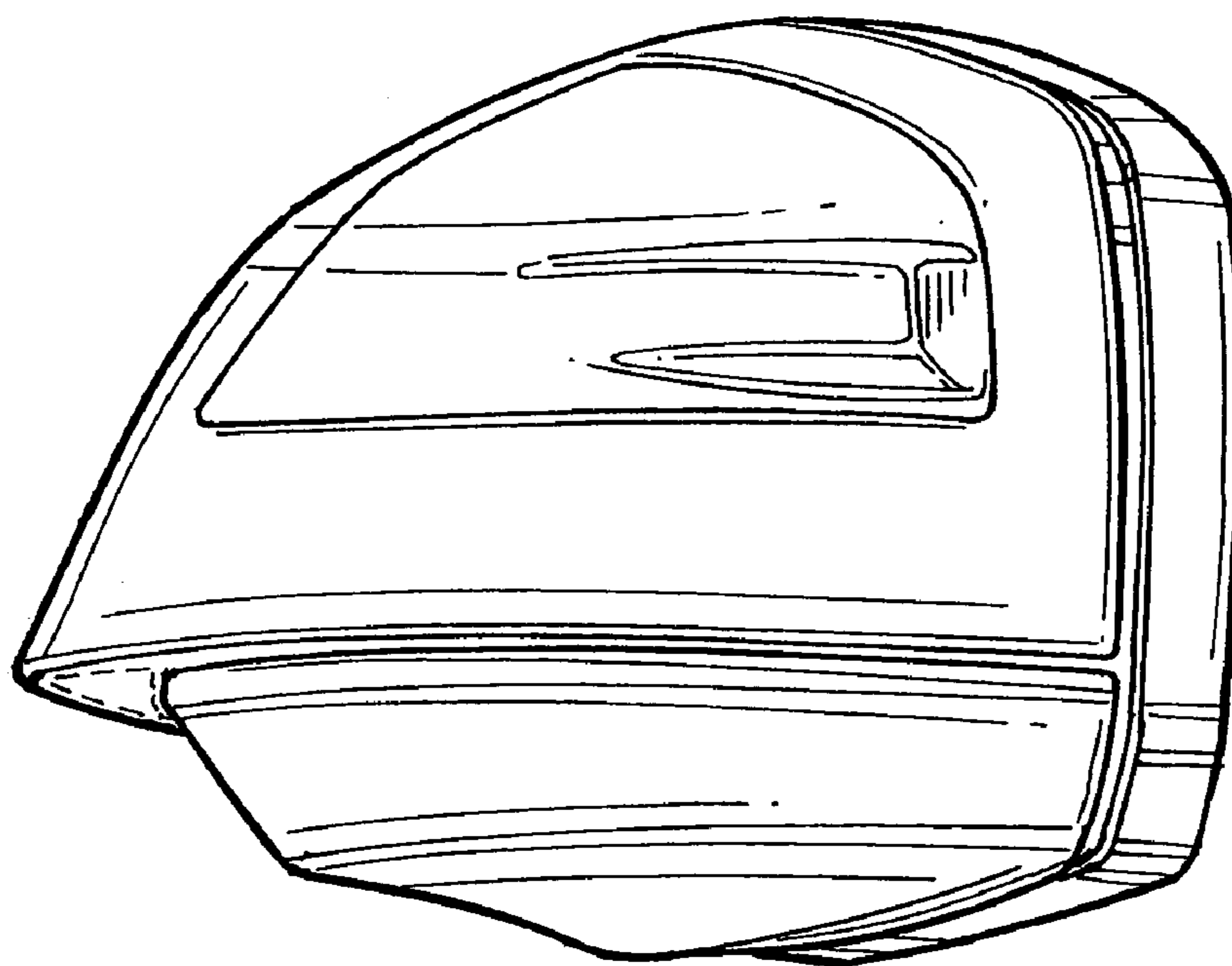


FIG. 4

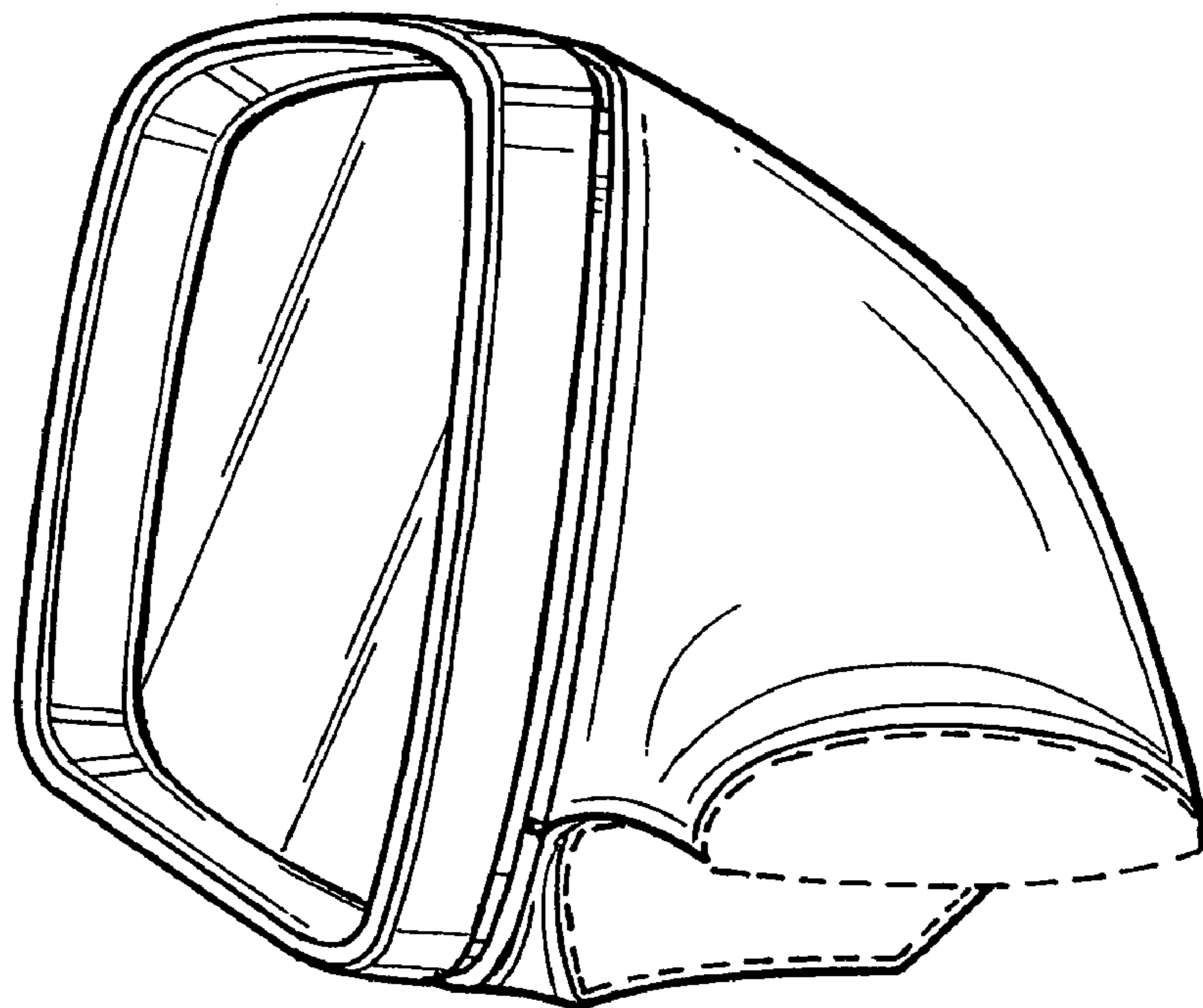


FIG. 5

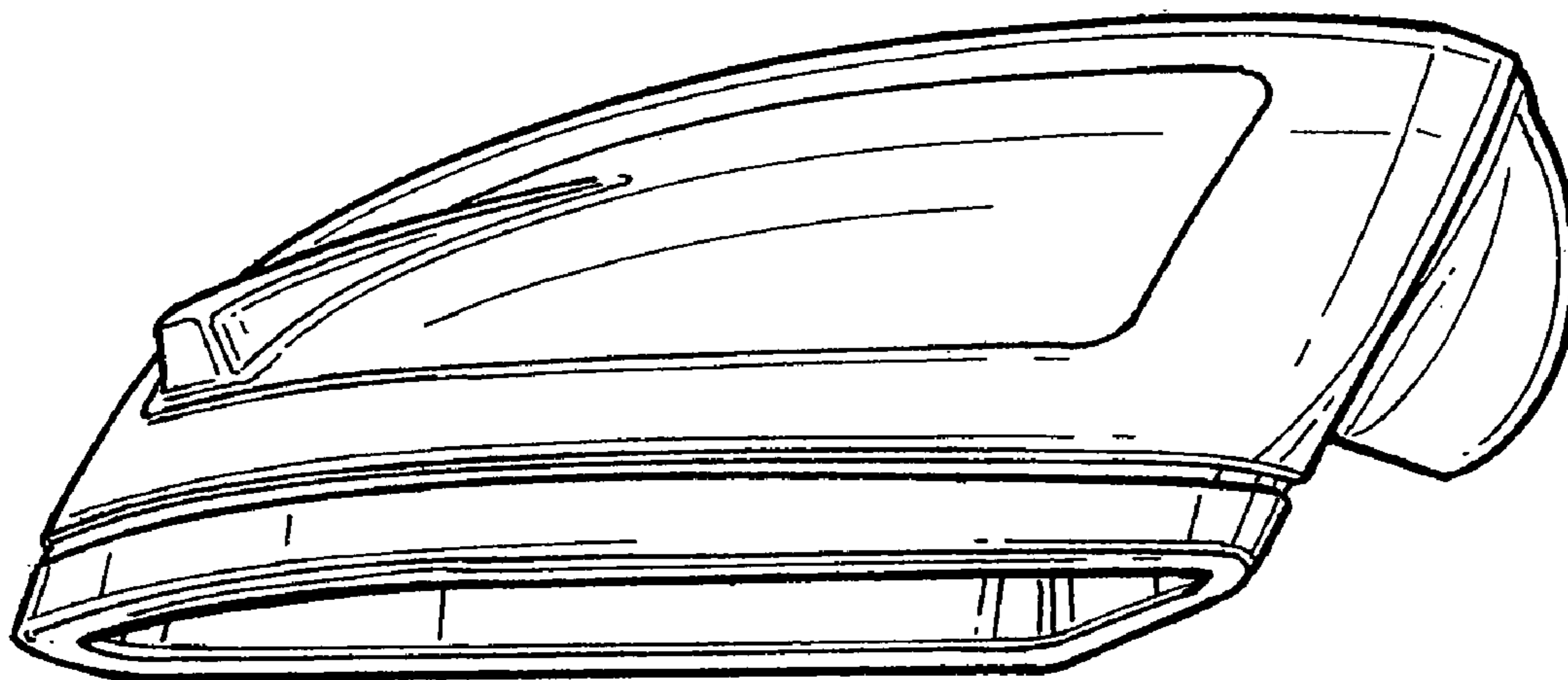


FIG. 6

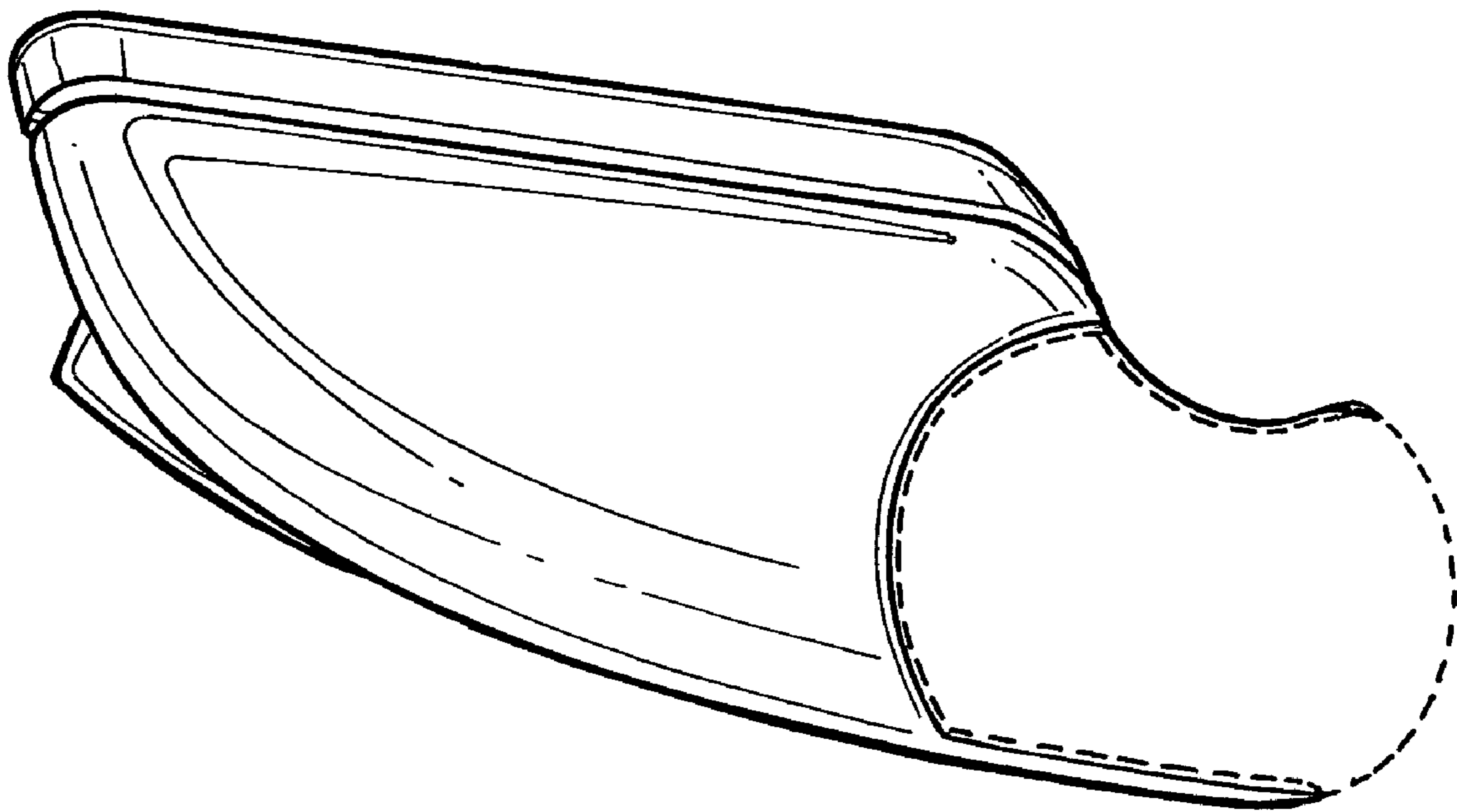


FIG. 7

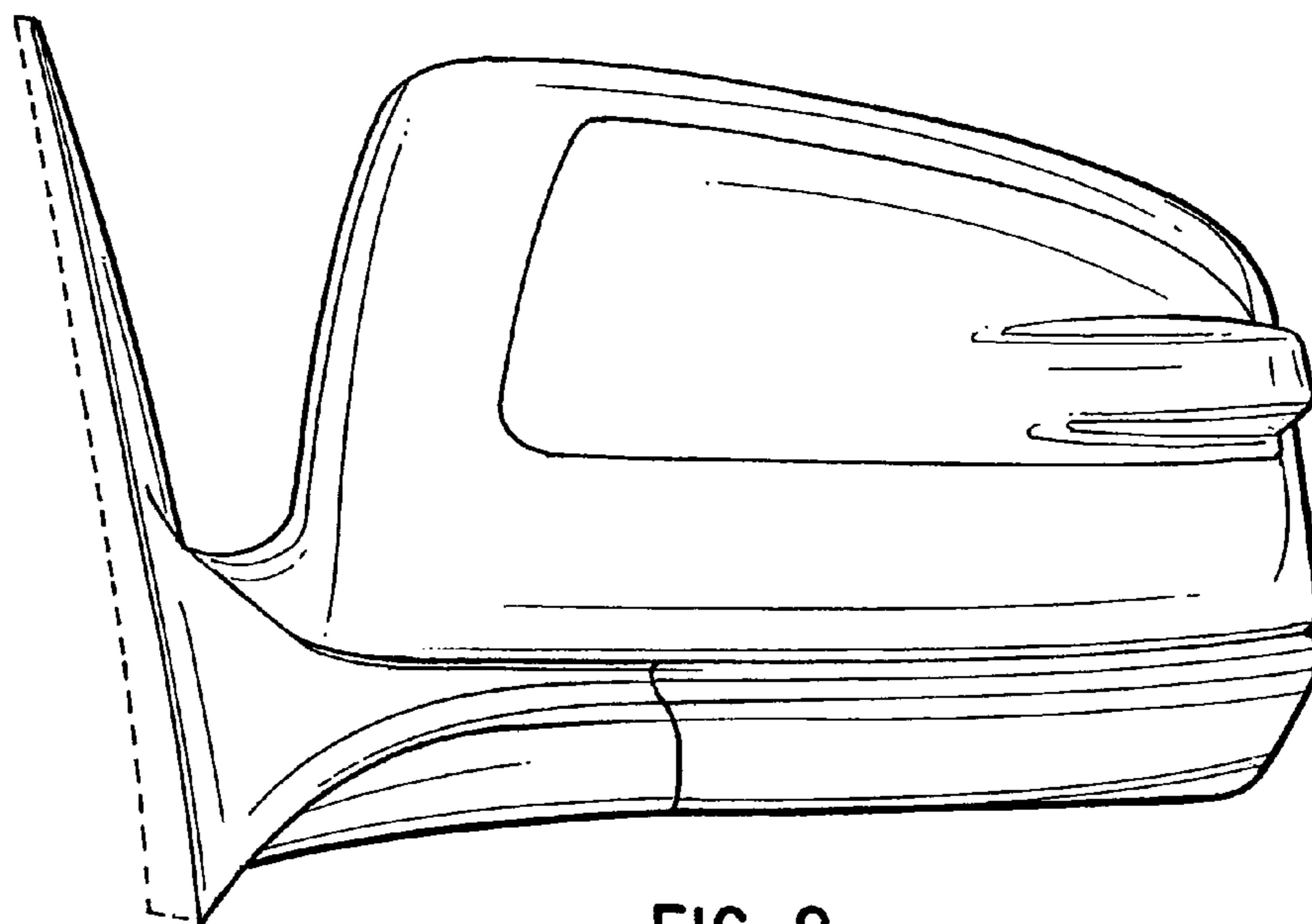


FIG. 8

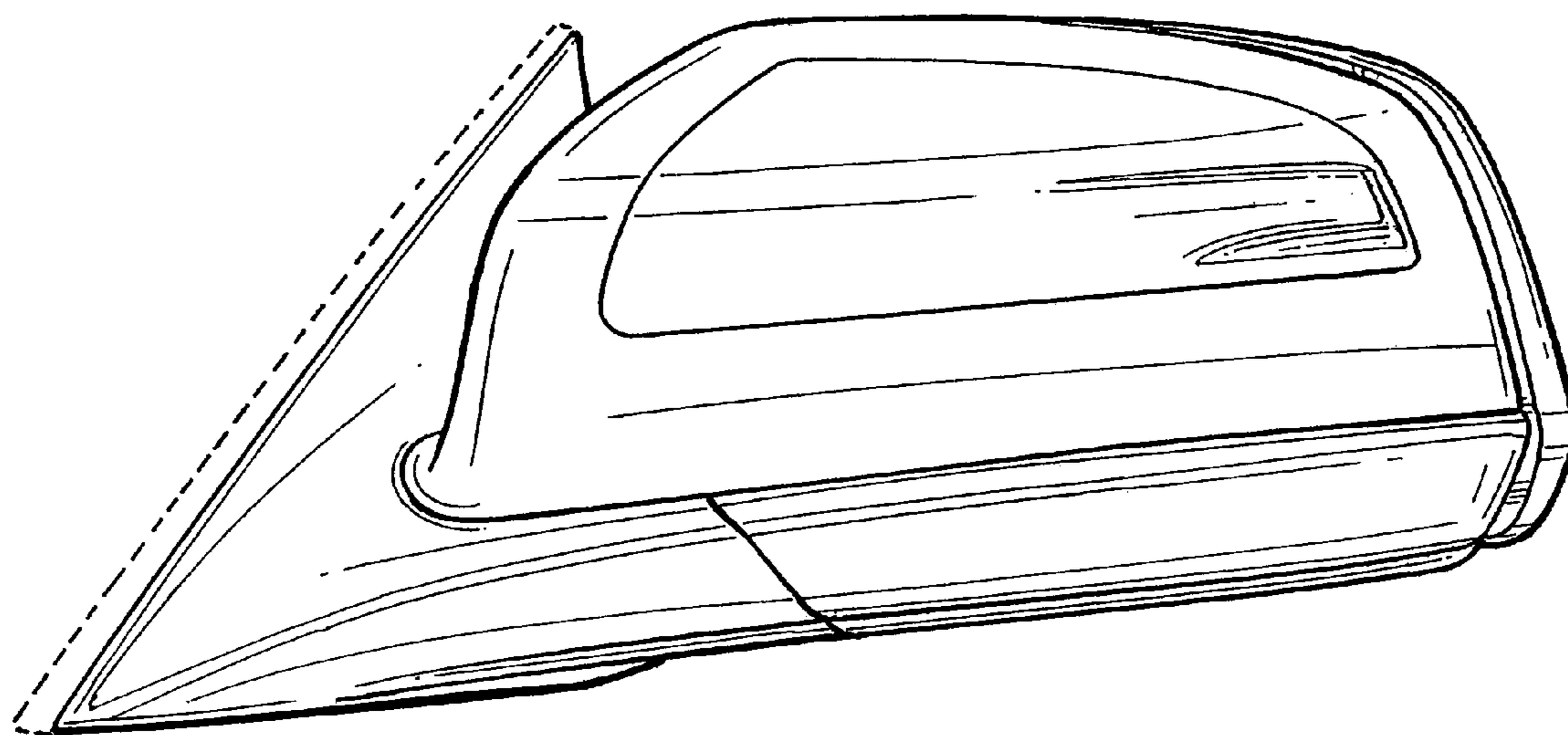


FIG. 9

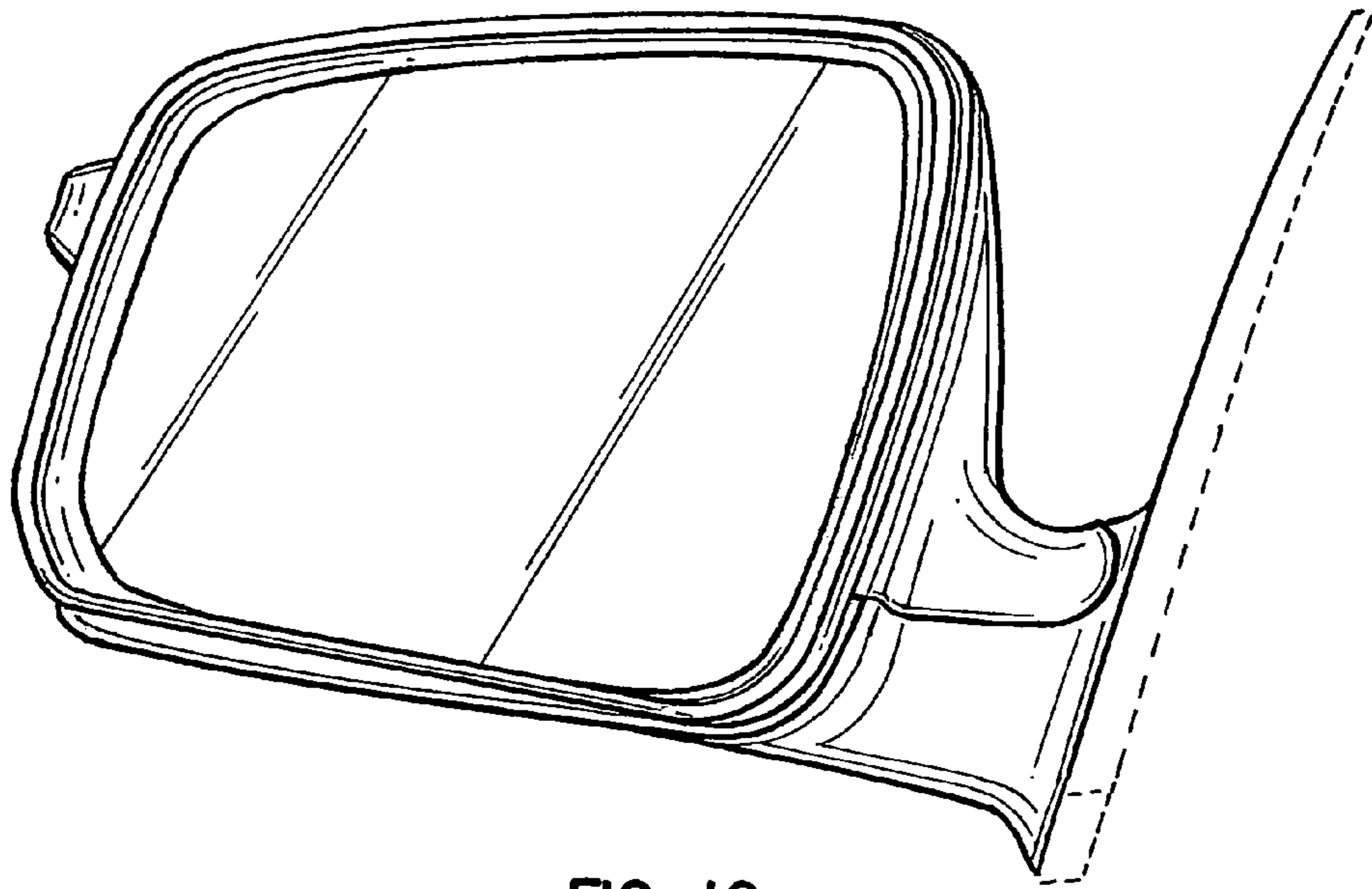


FIG. 10

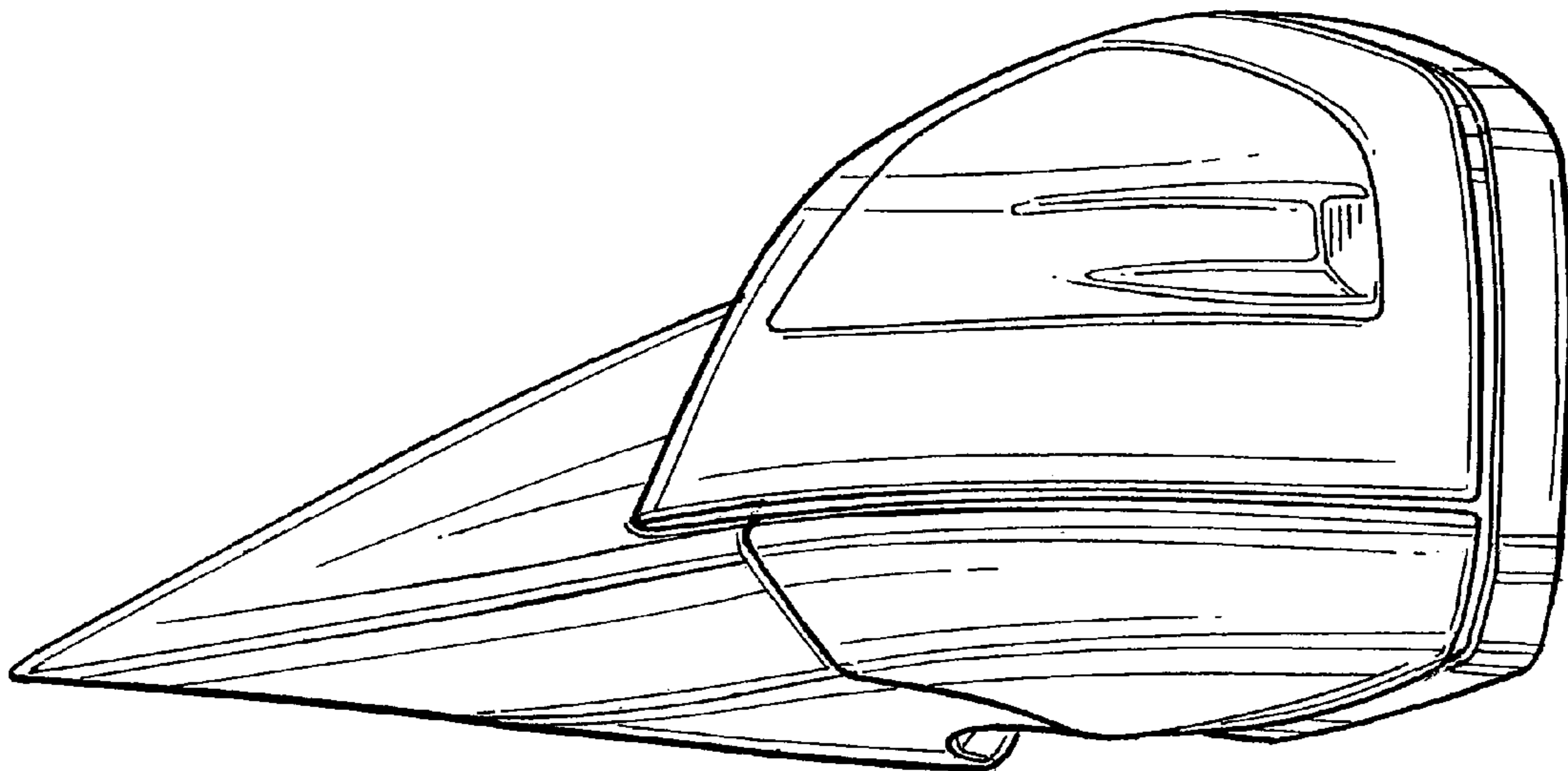


FIG. 11



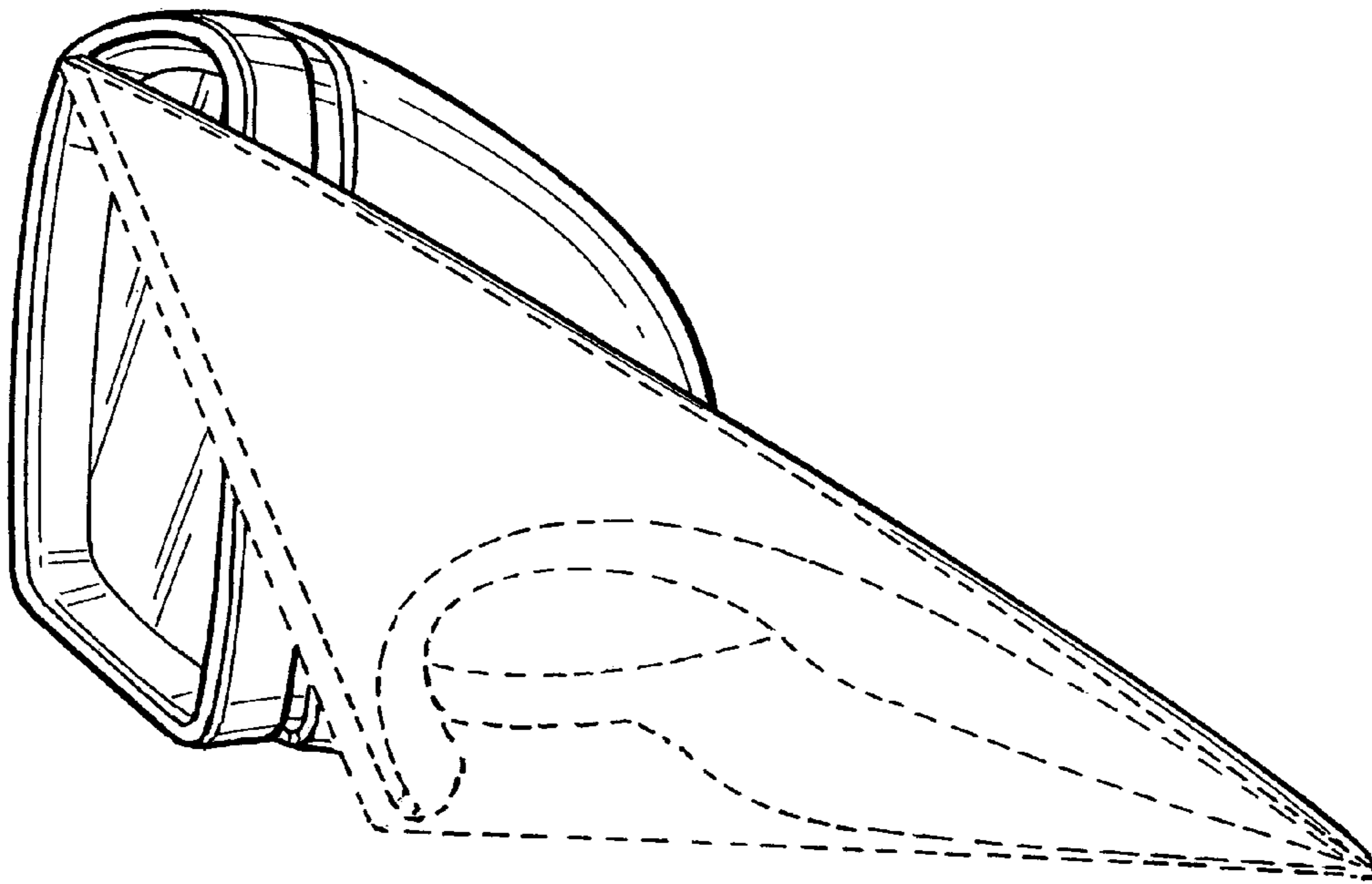


FIG. 12

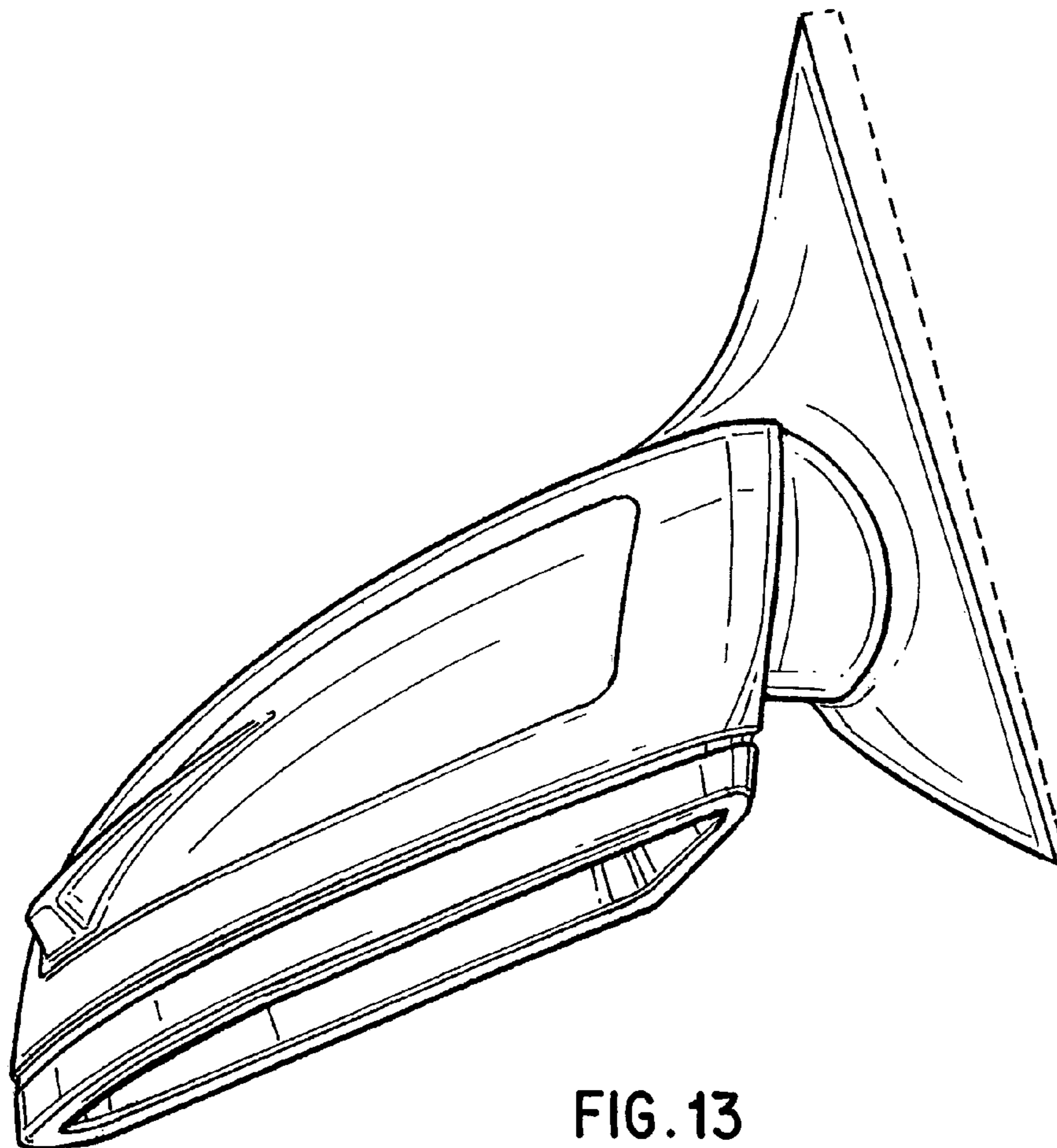


FIG. 13

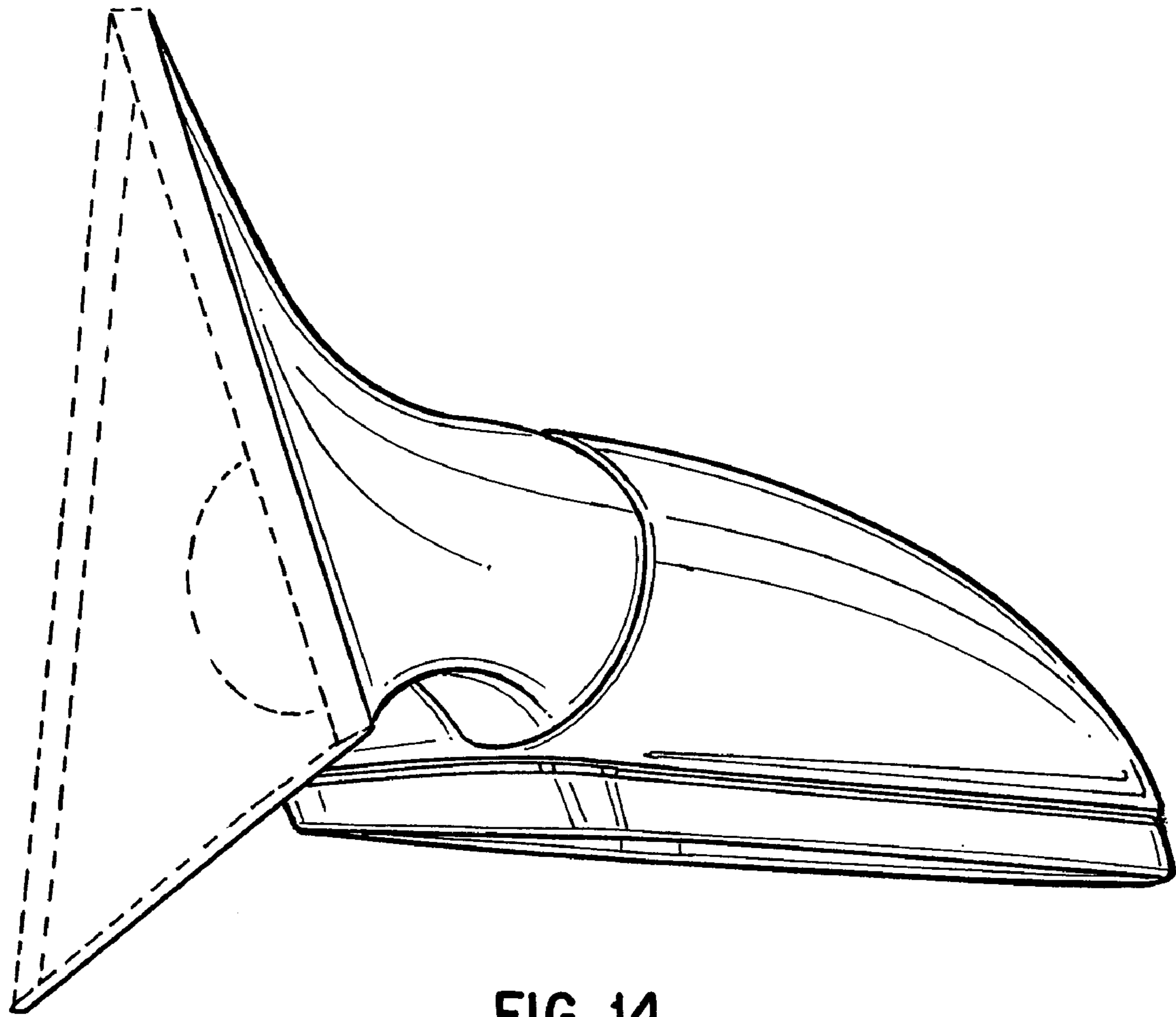


FIG. 14

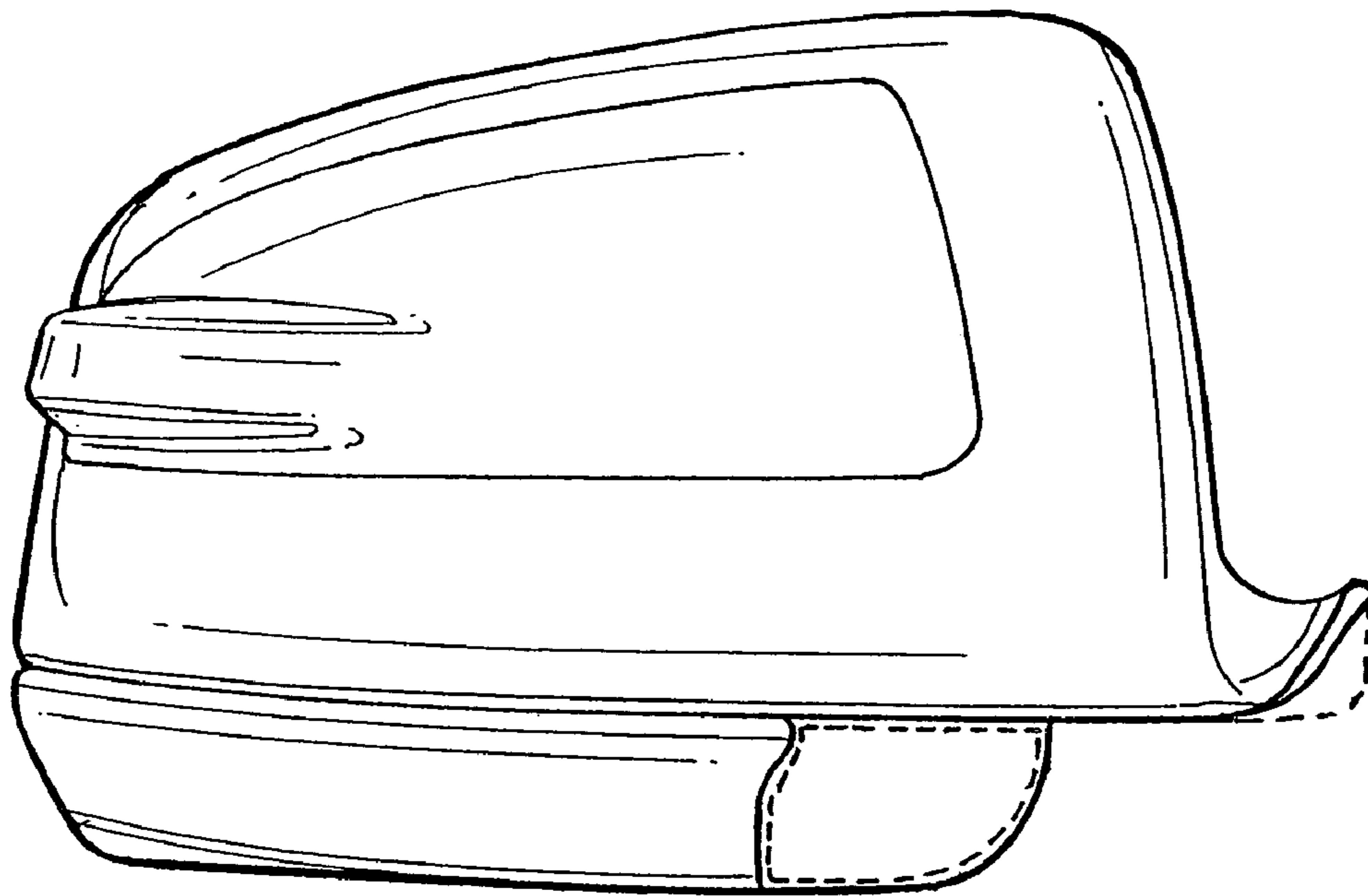


FIG. 15

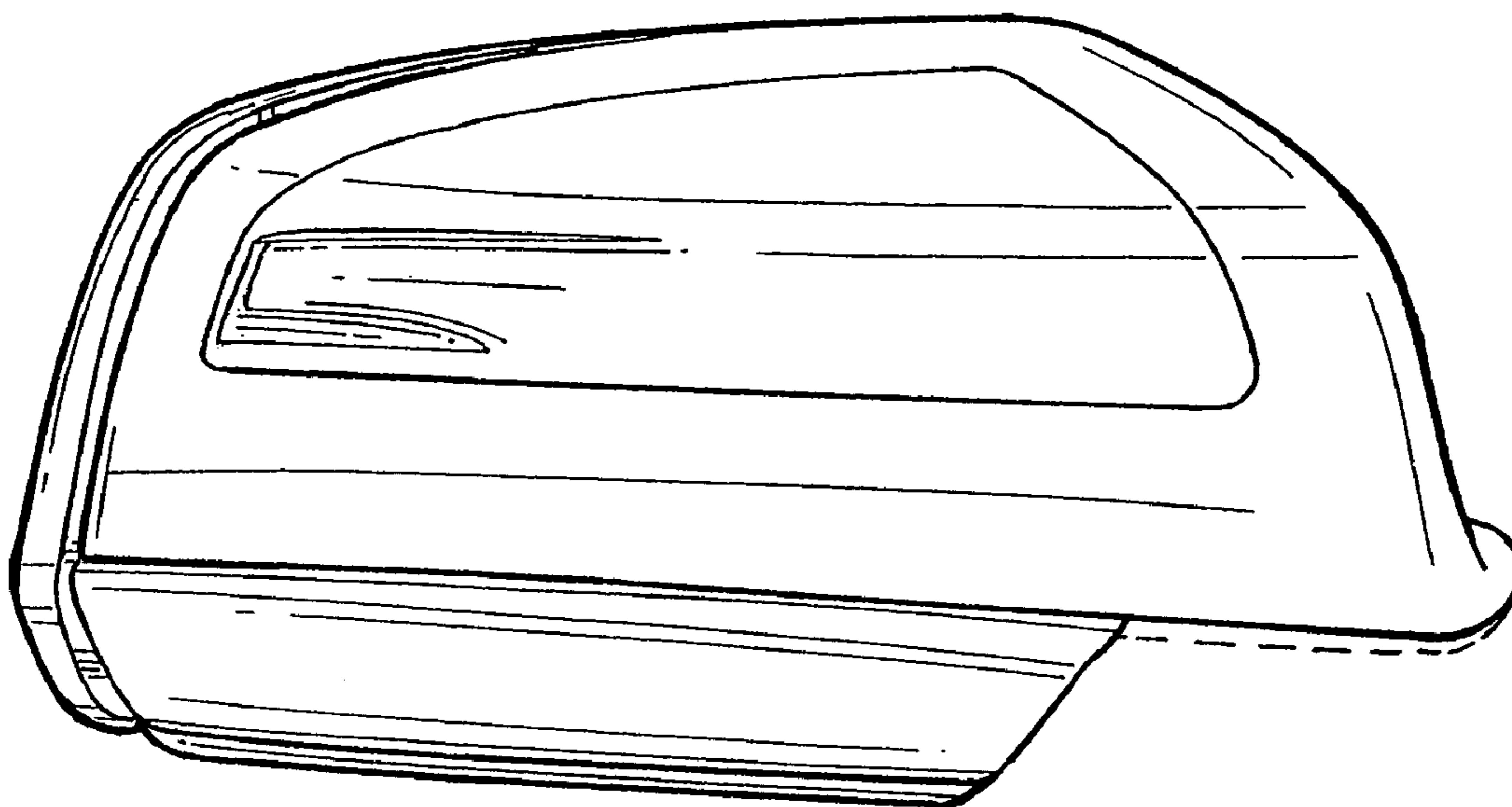


FIG. 16

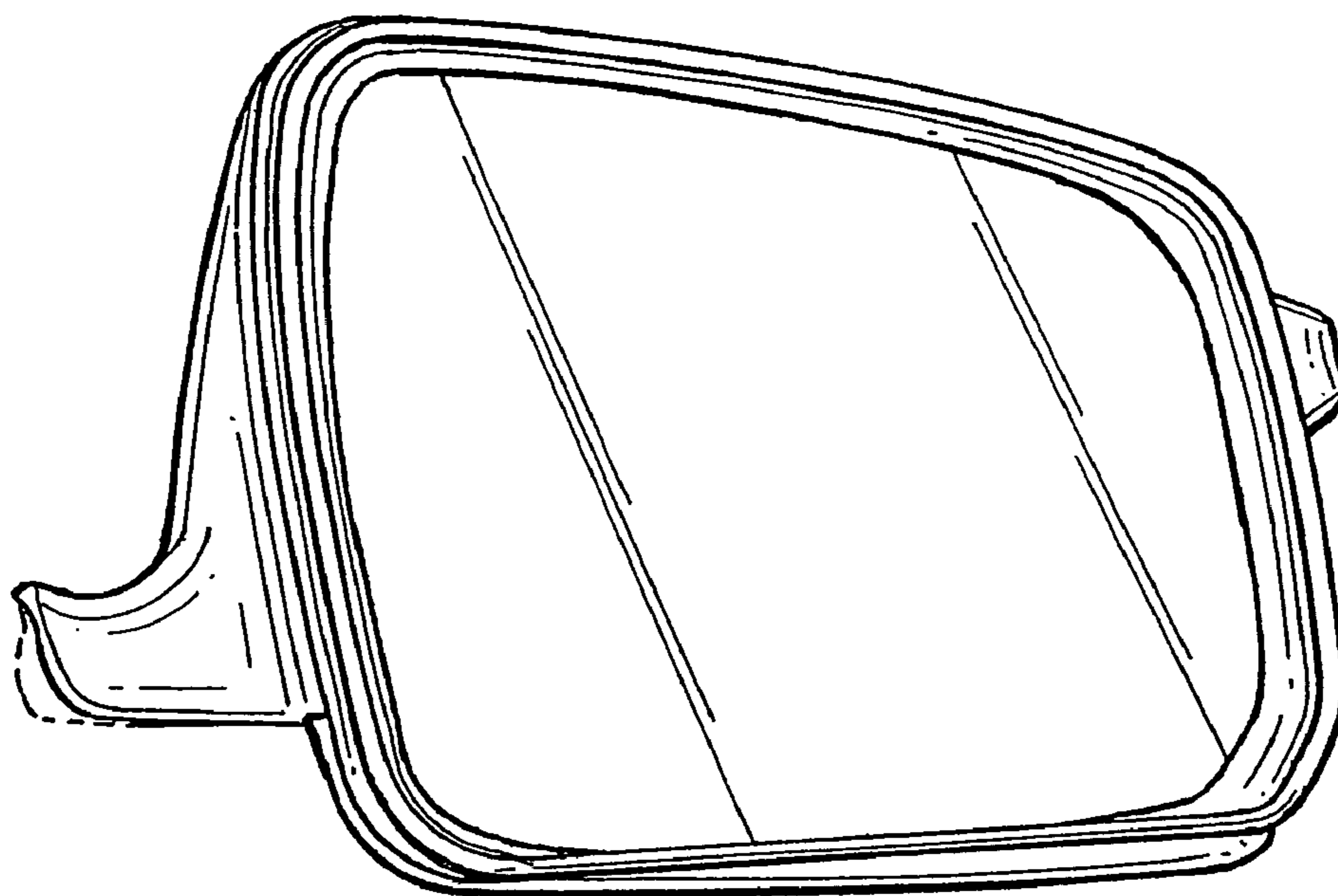


FIG. 17

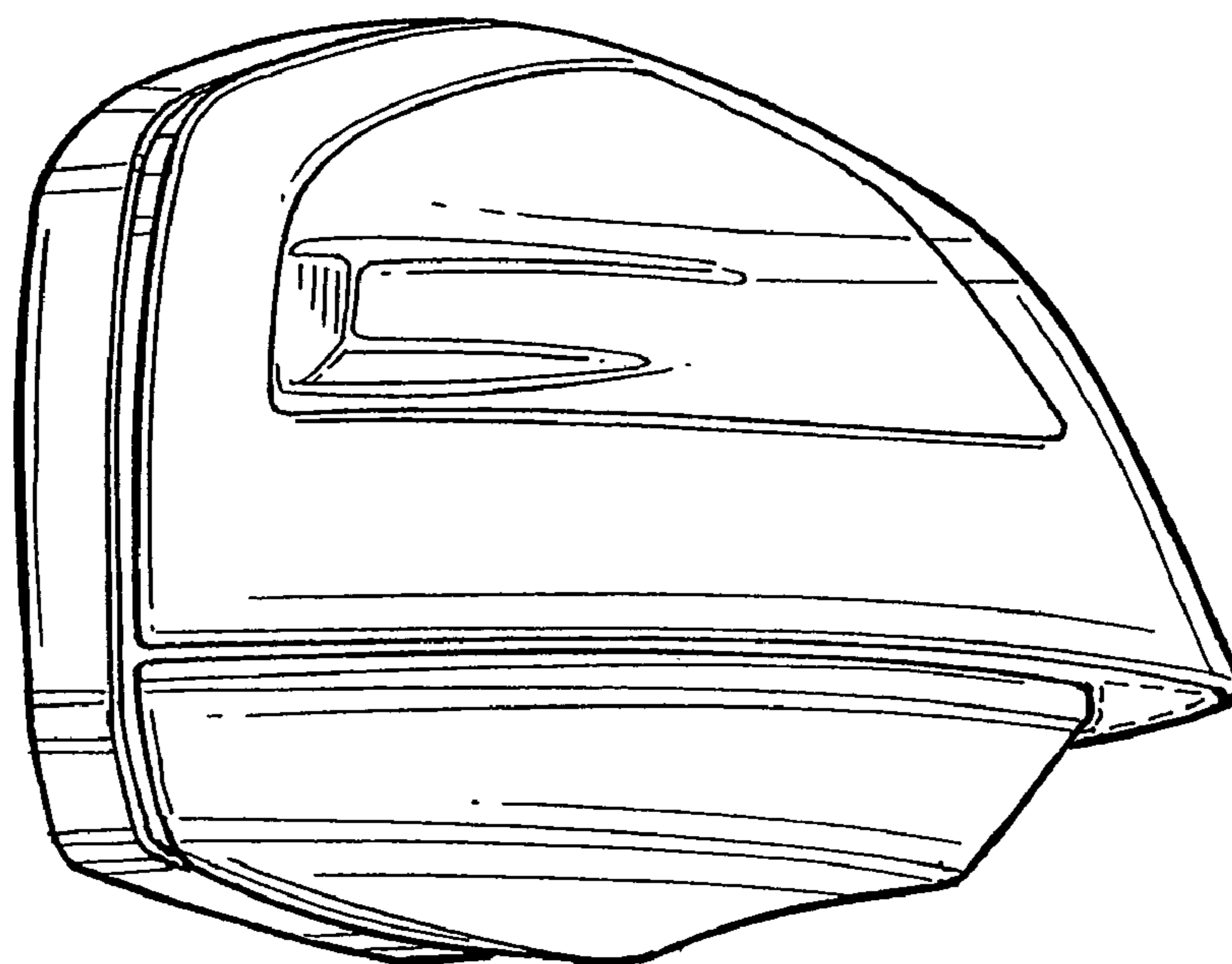


FIG. 18

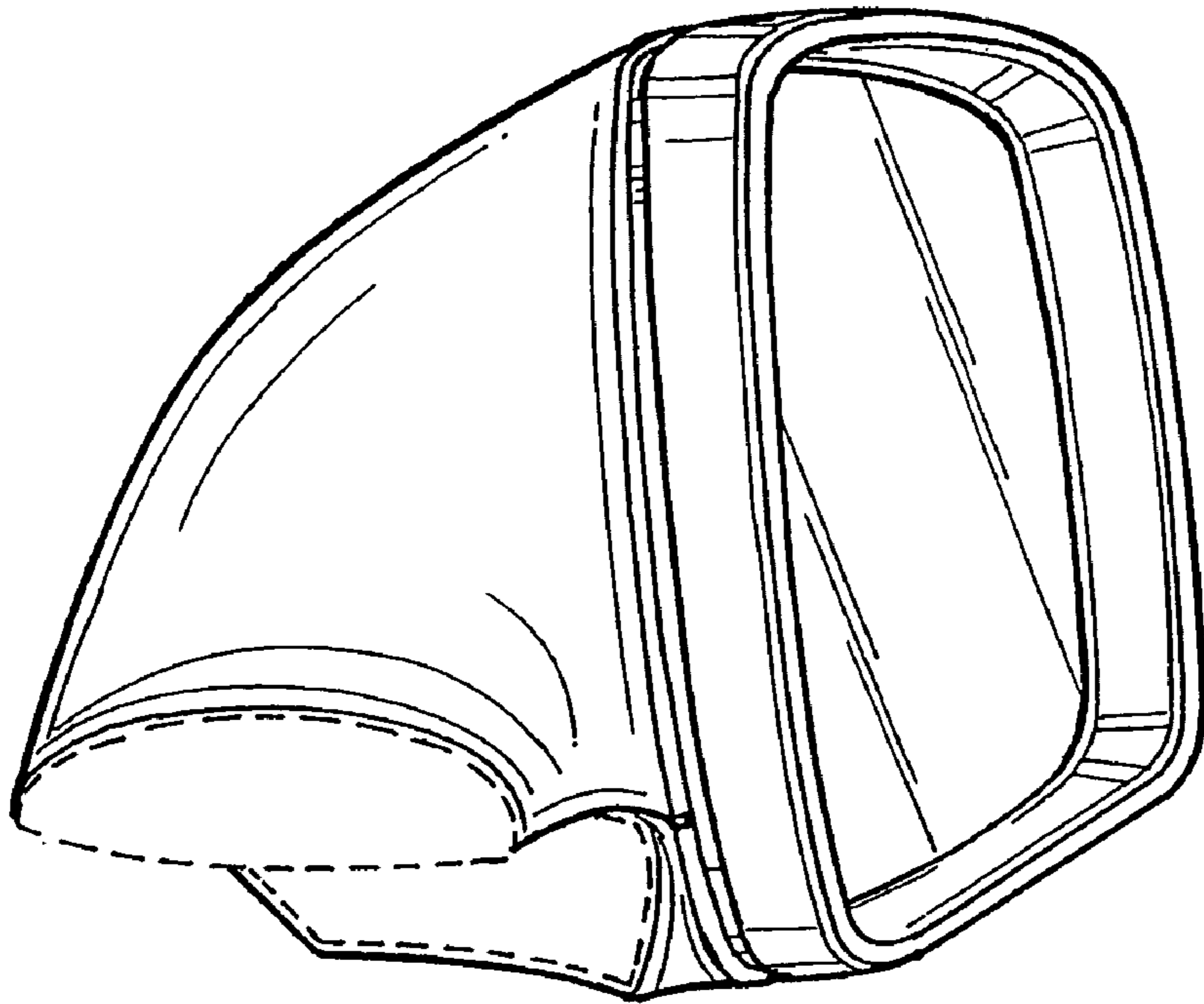


FIG. 19

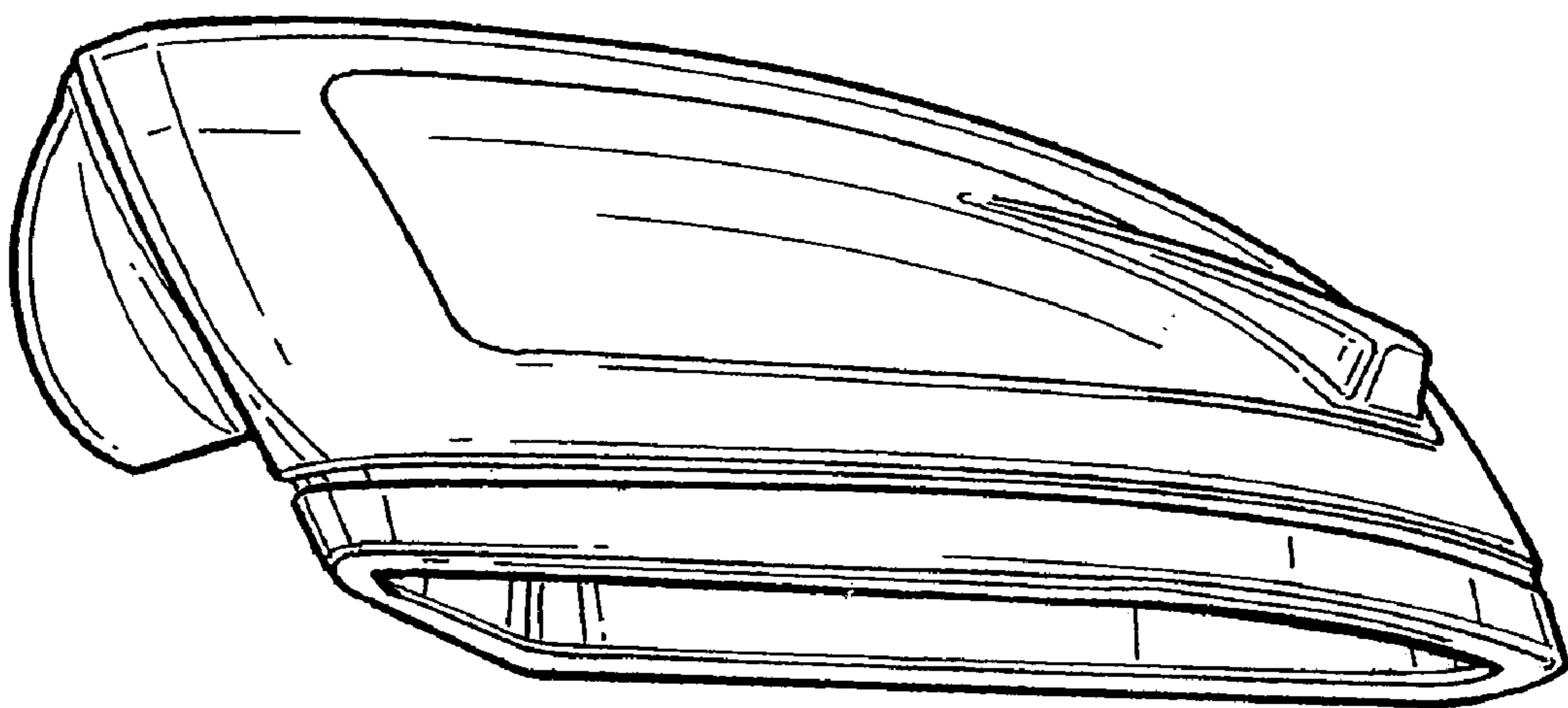


FIG. 20

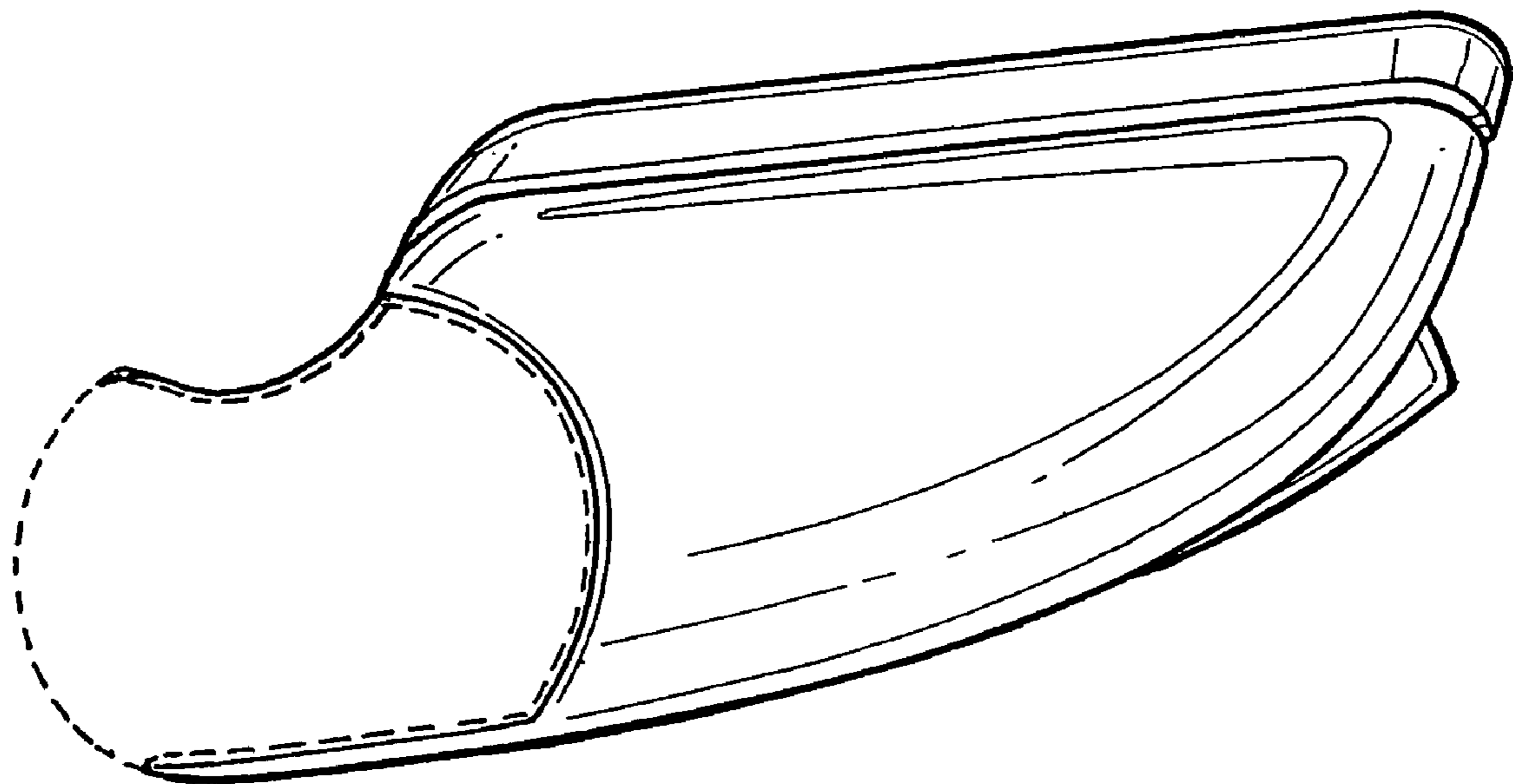


FIG. 21

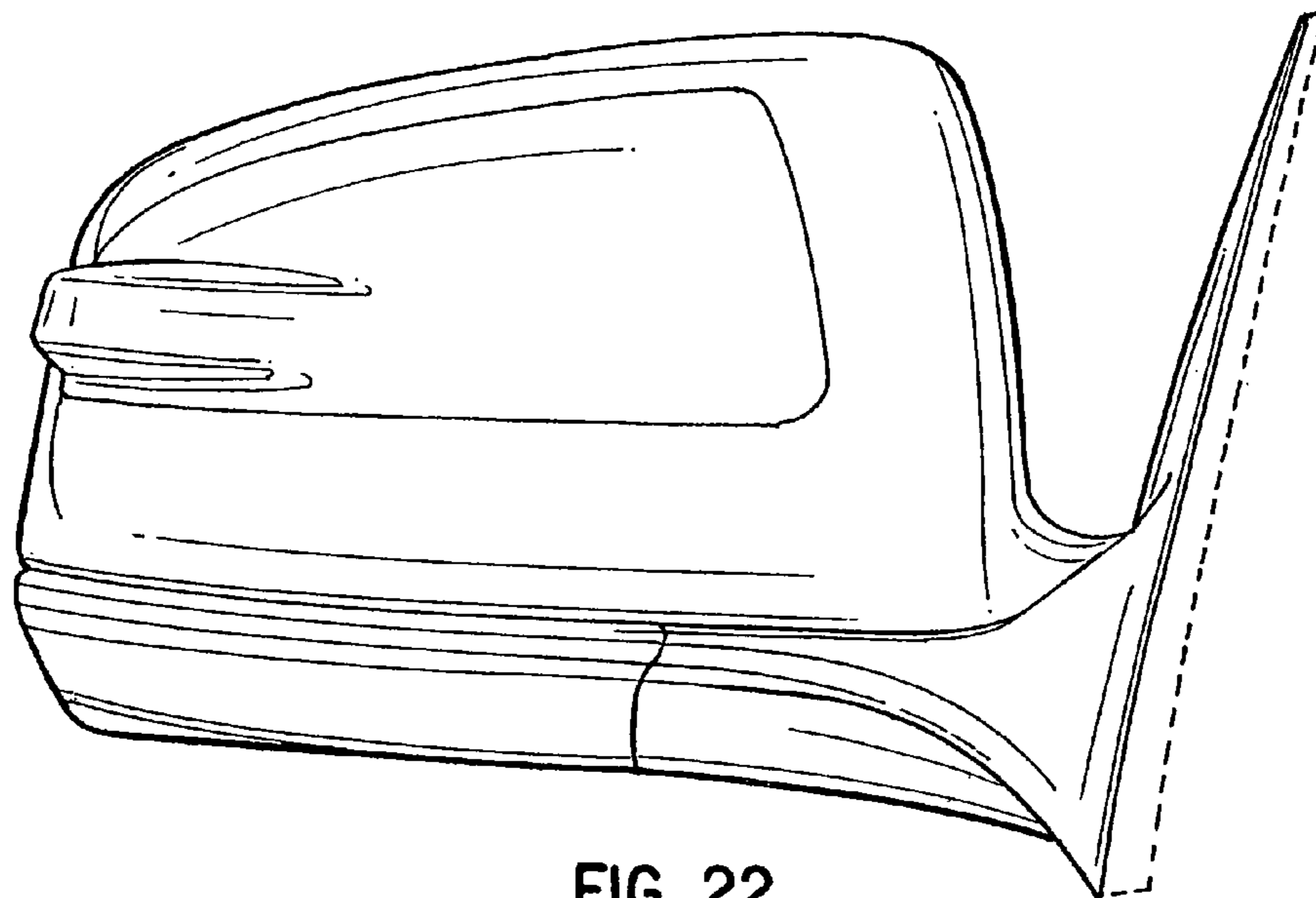


FIG. 22

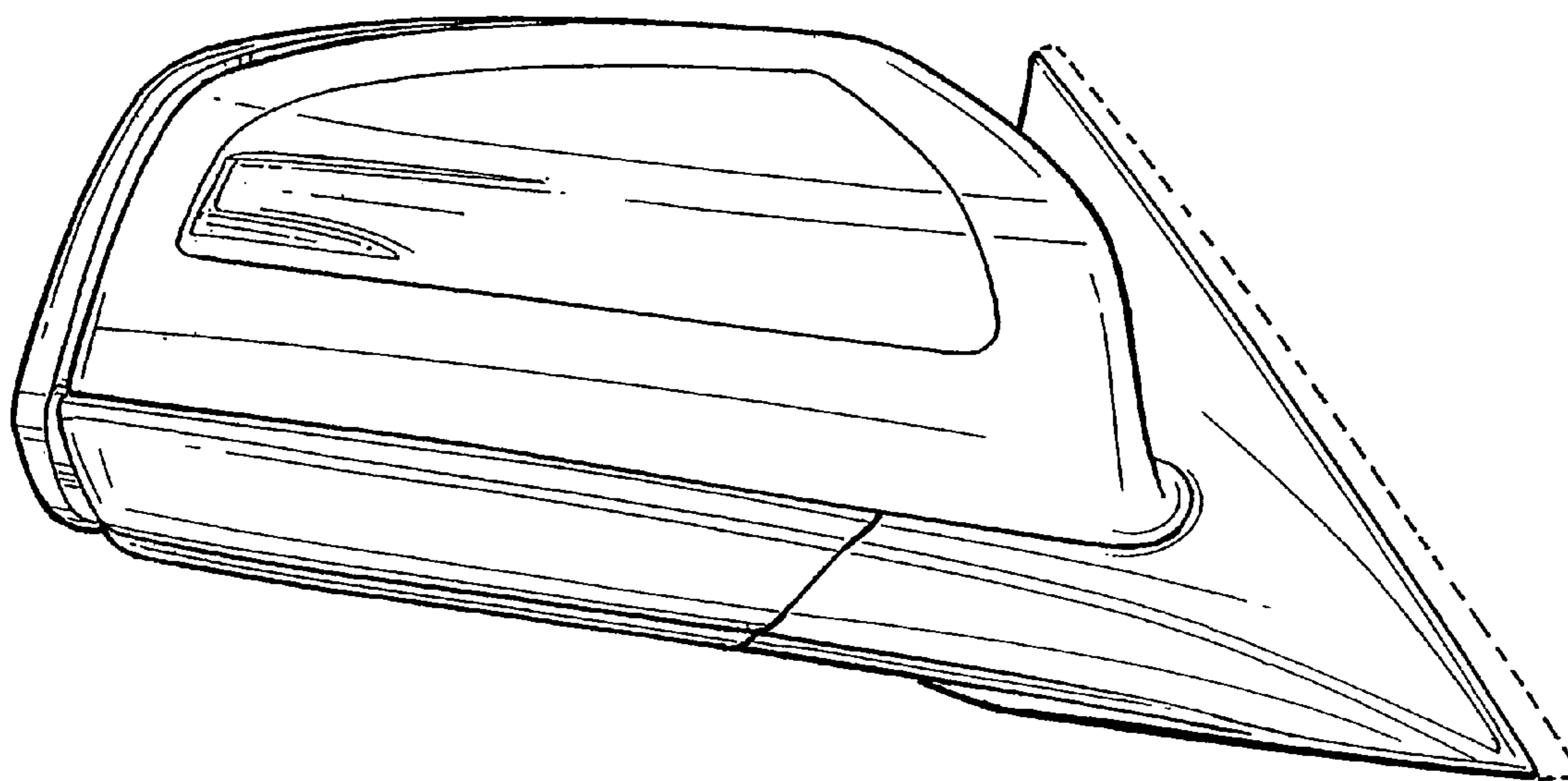


FIG. 23

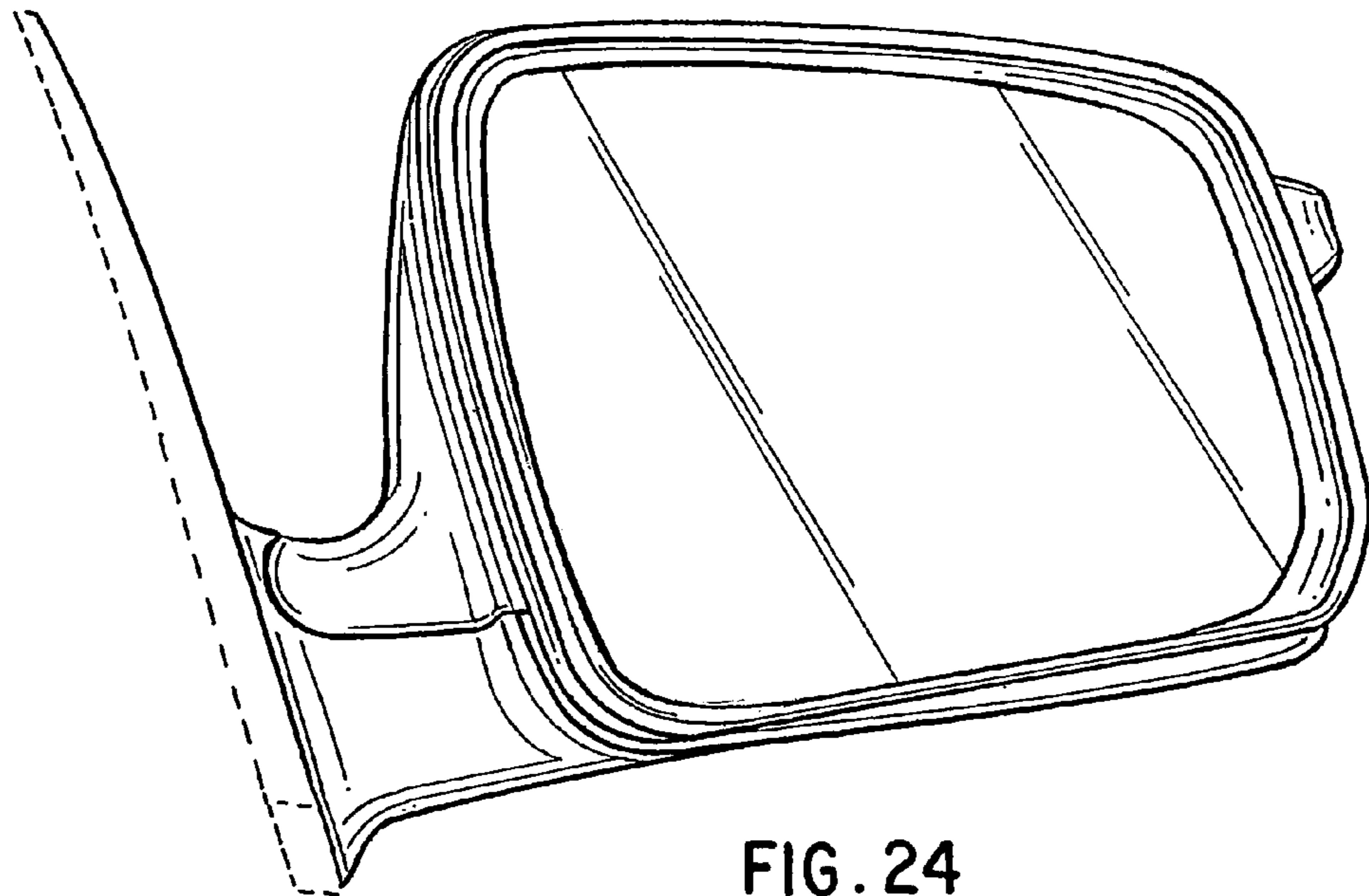


FIG. 24

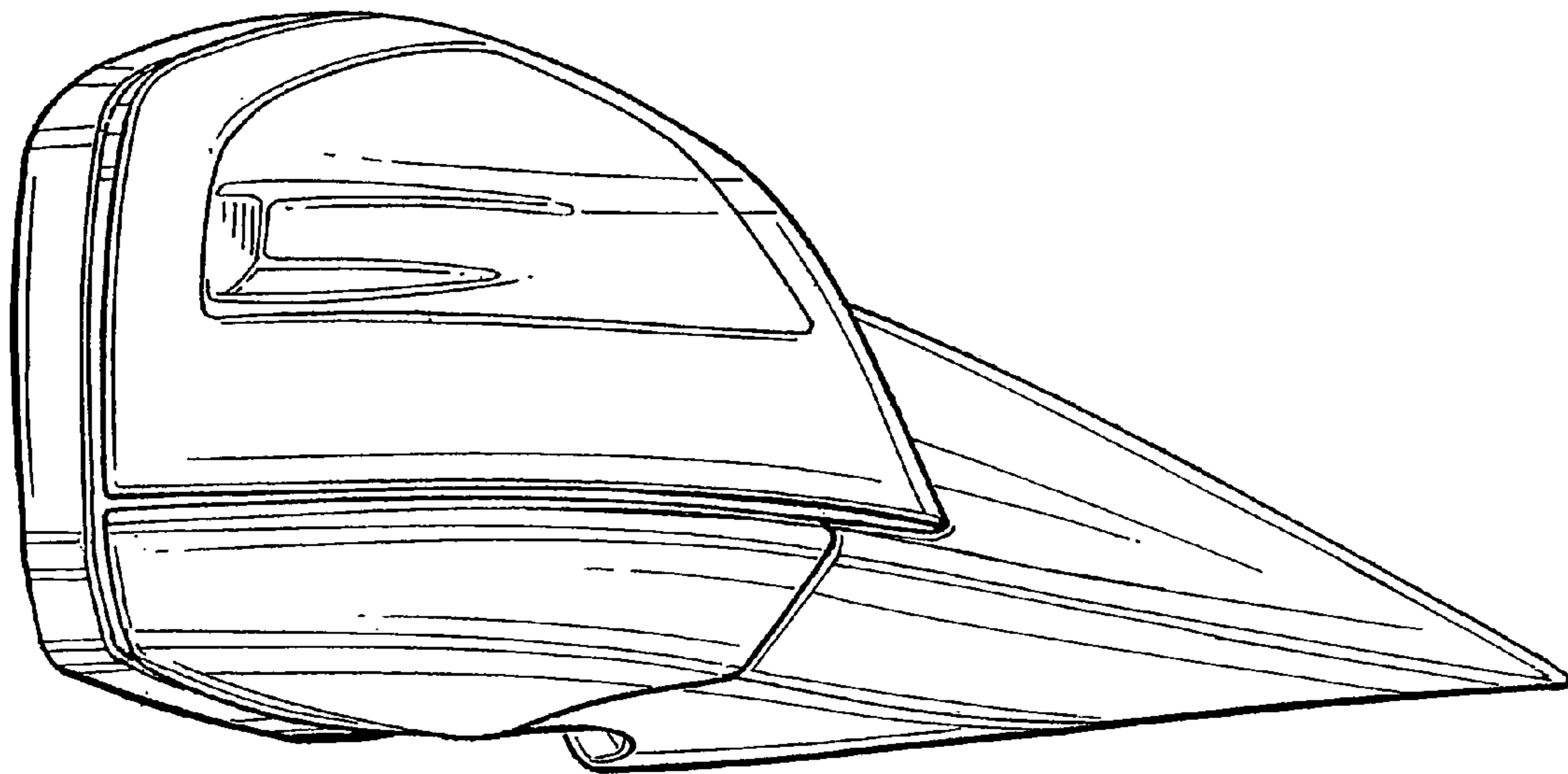


FIG. 25



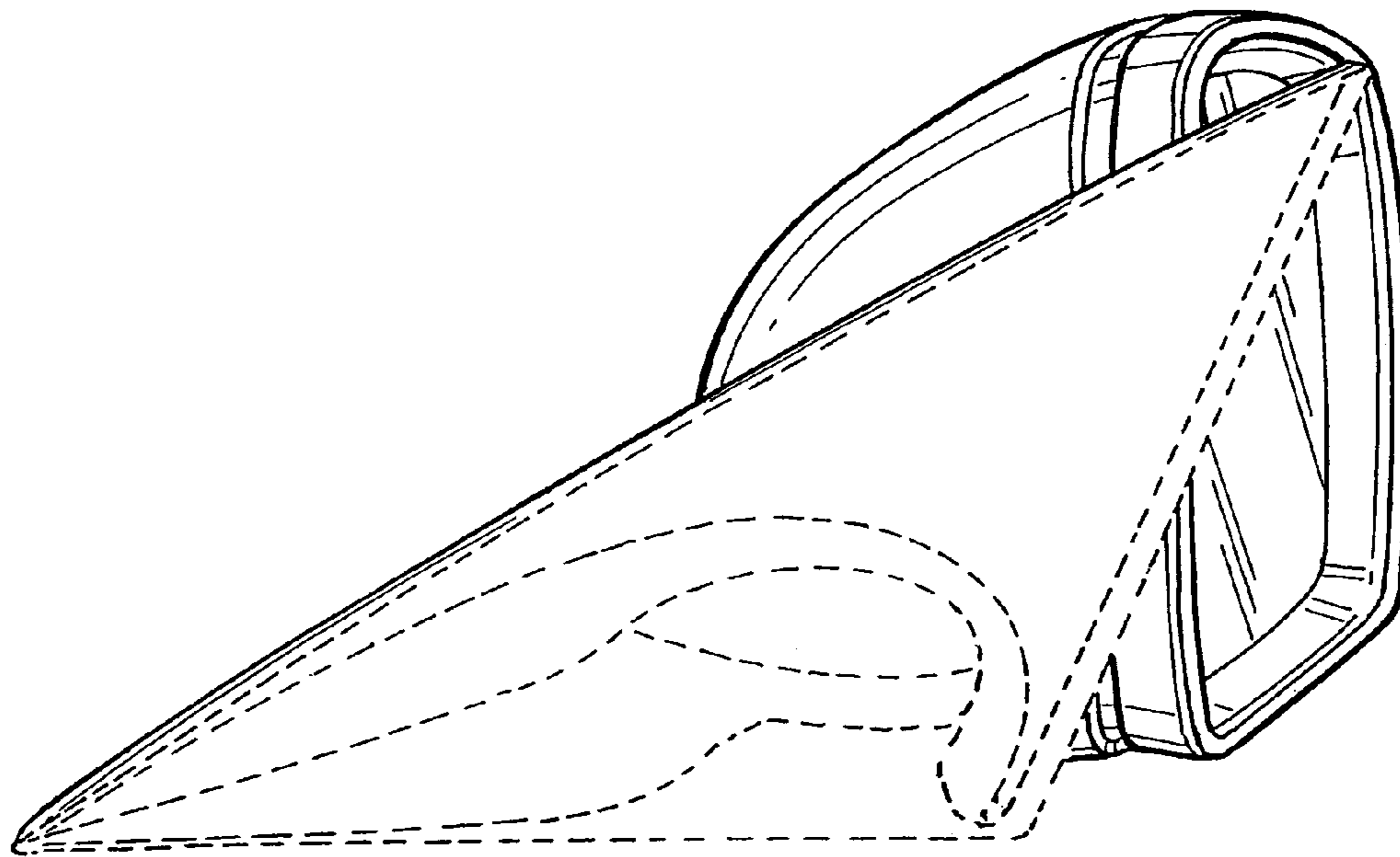


FIG. 26

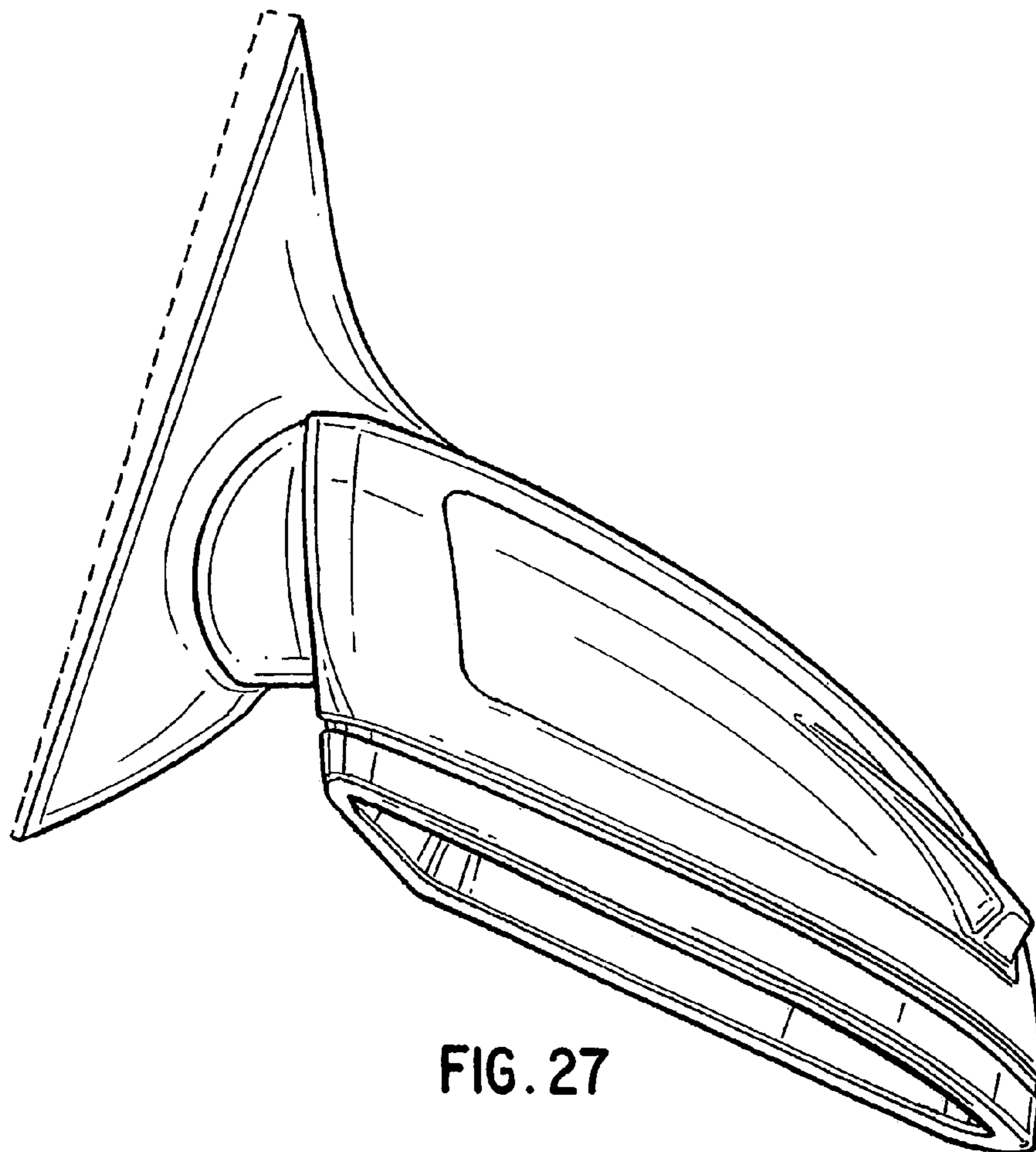


FIG. 27

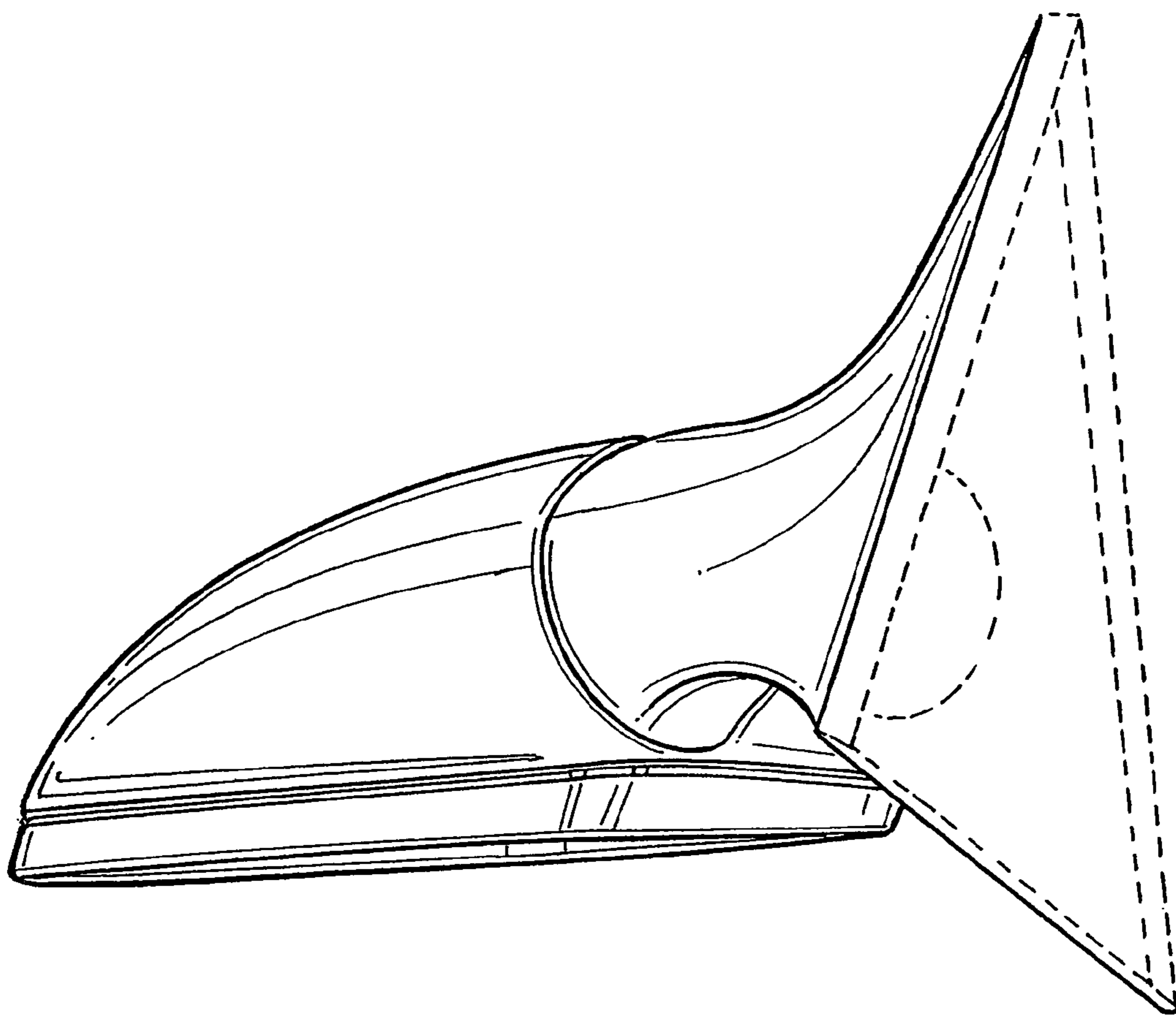


FIG. 28