



US00D543913S

(12) **United States Design Patent**
Hanamura

(10) **Patent No.:** **US D543,913 S**

(45) **Date of Patent:** **** Jun. 5, 2007**

(54) **BICYCLE BRAKE OPERATING DEVICE**

(75) Inventor: **Junichi Hanamura**, Sakai (JP)

(73) Assignee: **Shimano Inc.**, Osaka (JP)

(**) Term: **14 Years**

(21) Appl. No.: **29/263,203**

(22) Filed: **Jul. 19, 2006**

(30) **Foreign Application Priority Data**

Feb. 1, 2006 (EM) 000474465-0001

(51) **LOC (8) Cl.** **12-11**

(52) **U.S. Cl.** **D12/179**

(58) **Field of Classification Search** D12/111,
D12/179, 180; 74/486-488, 475, 489, 491,
74/519, 523-525, 502.2, 551.1, 551.8, 551.9;
188/24.11-24.22, 2 D

See application file for complete search history.

(56) **References Cited**

U.S. PATENT DOCUMENTS

D386,734 S * 11/1997 Nishimura D12/179

D392,233 S * 3/1998 Masui D12/179

D521,427 S * 5/2006 Tsai D12/179

* cited by examiner

Primary Examiner—Alan P. Douglas

Assistant Examiner—Linda Brooks

(74) *Attorney, Agent, or Firm*—Global IP Counselors, LLP

(57) **CLAIM**

The ornamental design for a bicycle brake operating device, as shown and described.

DESCRIPTION

FIG. 1 is a top perspective view of a bicycle brake operating device in accordance with my new design;

FIG. 2 is a top plan view of the bicycle brake operating device in accordance with my new design;

FIG. 3 is a bottom plan view of the bicycle brake operating device in accordance with my new design;

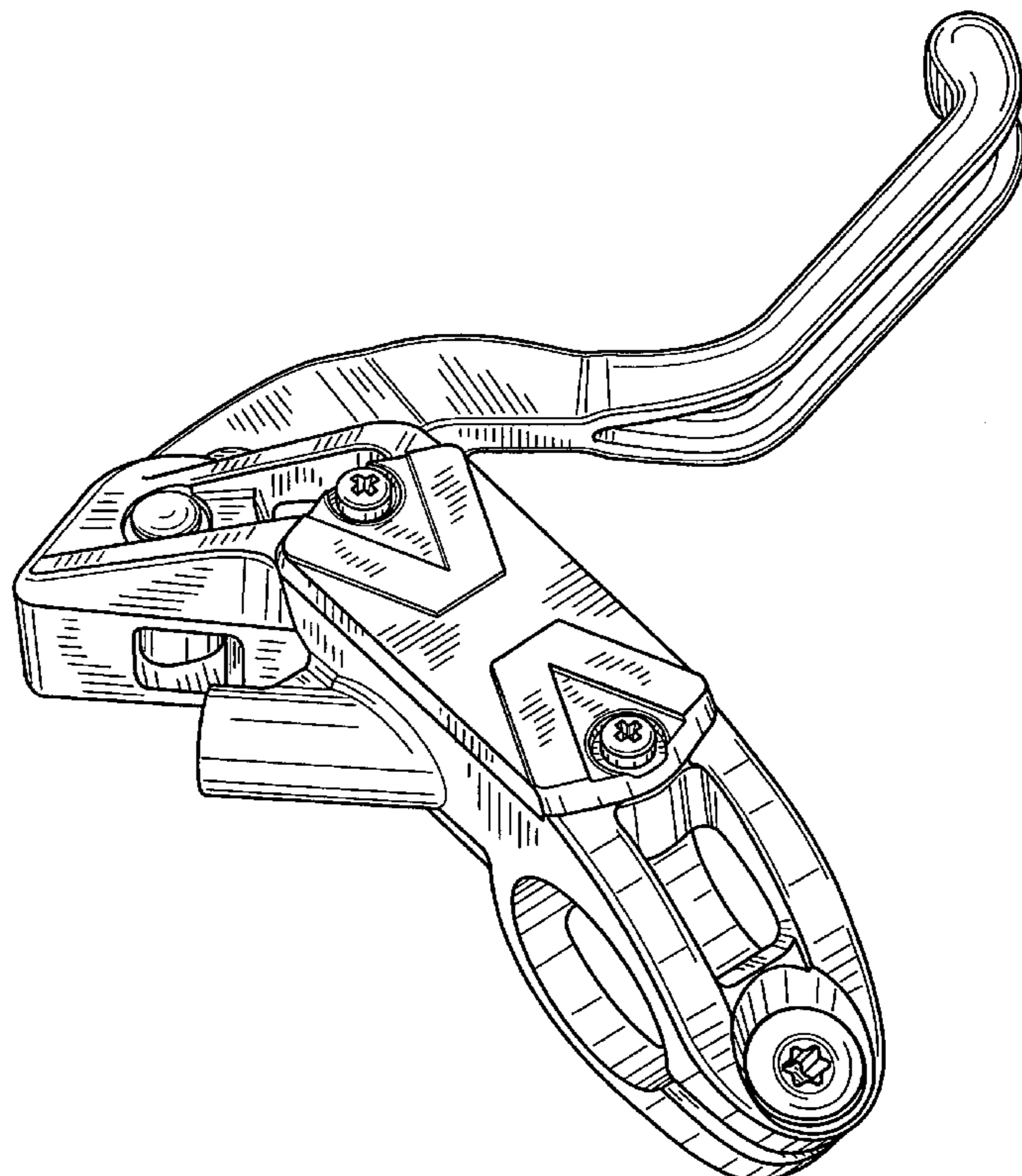
FIG. 4 is a front side elevational view of the bicycle brake operating device in accordance with my new design;

FIG. 5 is a rear side elevational view of the bicycle brake operating device in accordance with my new design;

FIG. 6 is an outside elevational view of the bicycle brake operating device in accordance with my new design; and,

FIG. 7 is an inside elevational view of the bicycle brake operating device in accordance with my new design.

1 Claim, 5 Drawing Sheets



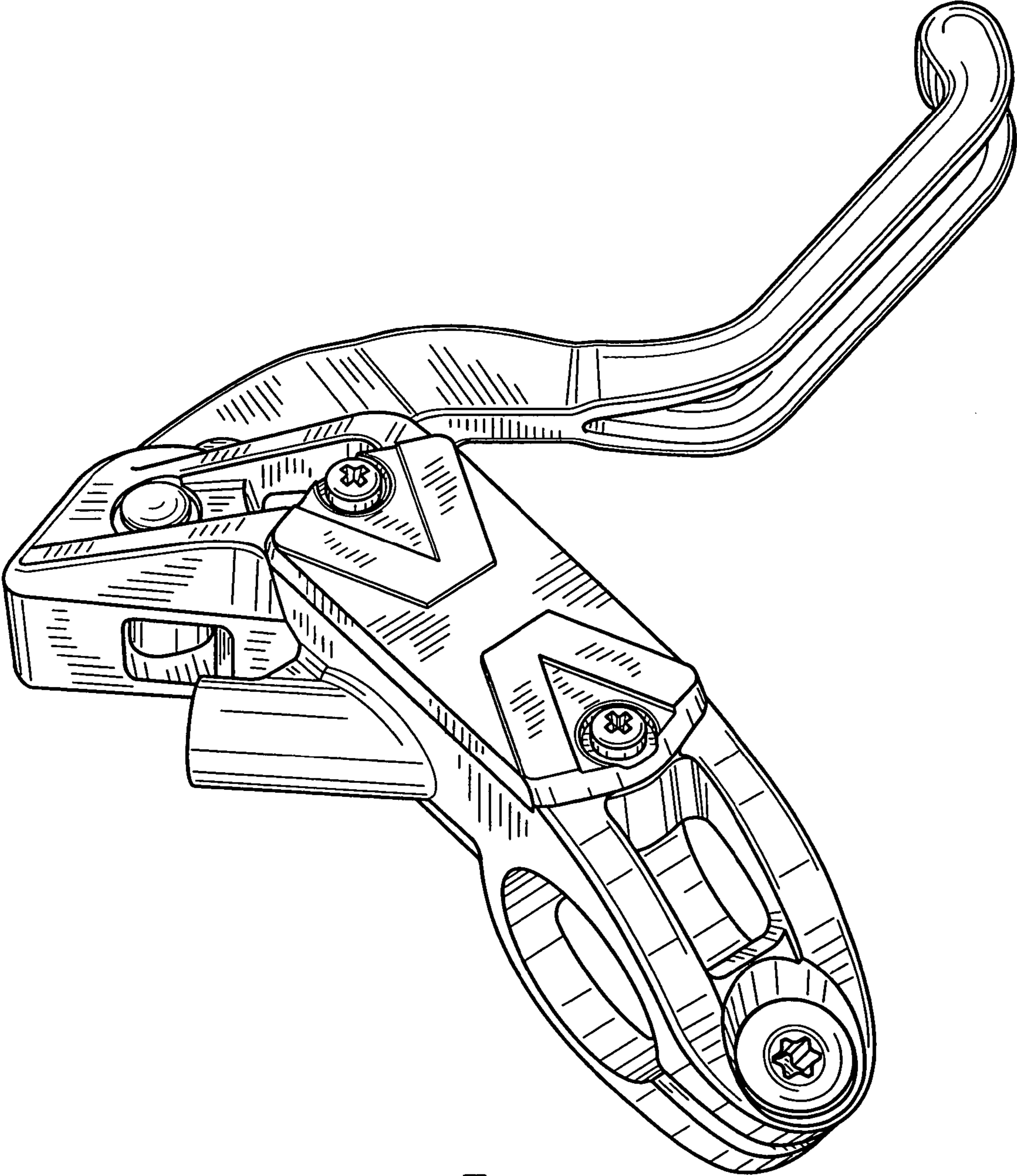


Fig. 1

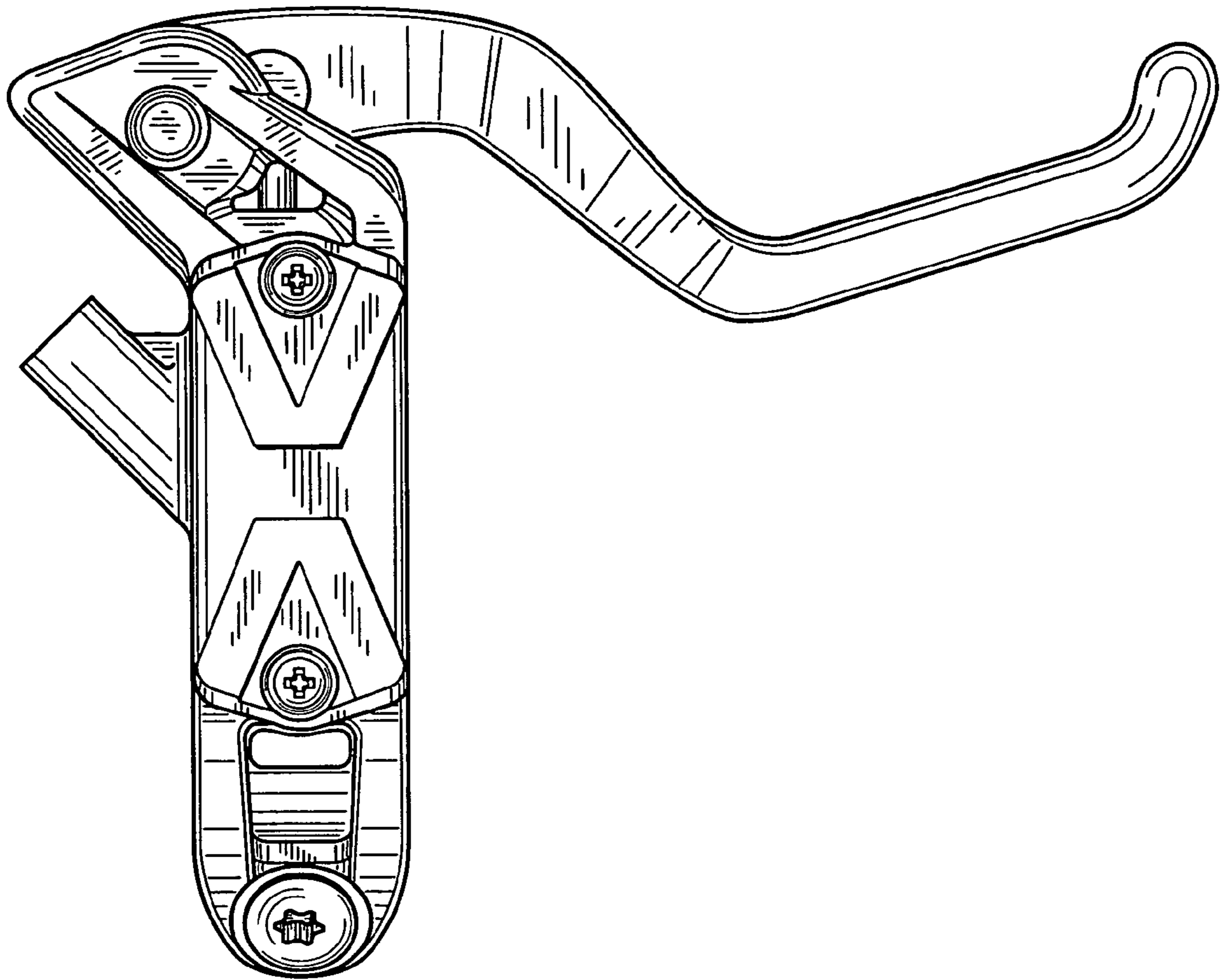


Fig. 2

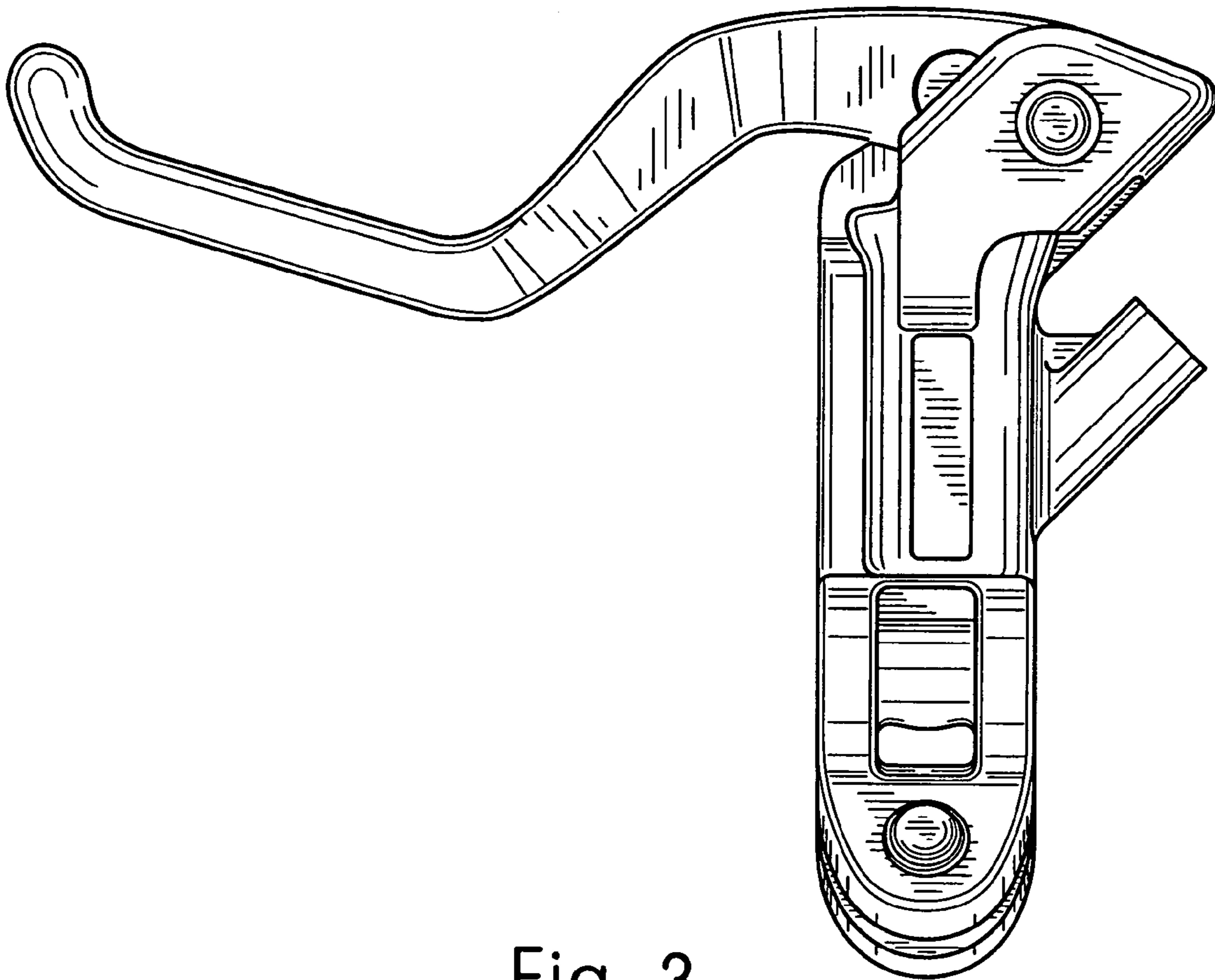


Fig. 3

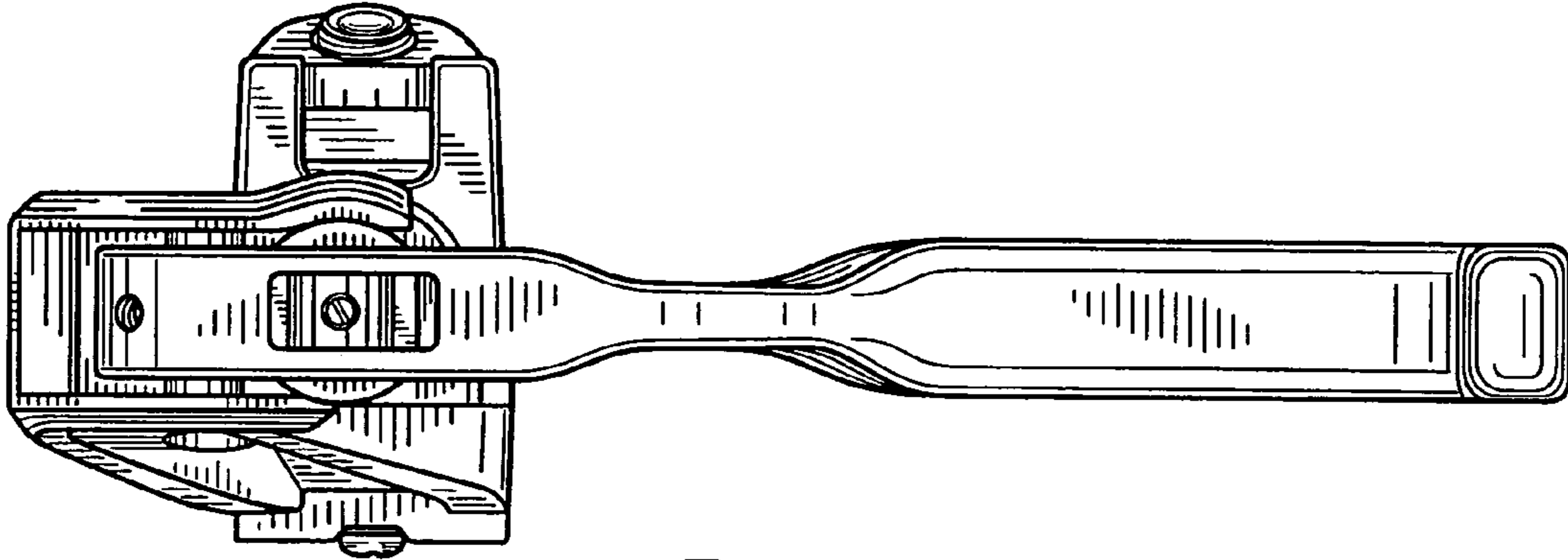


Fig. 4

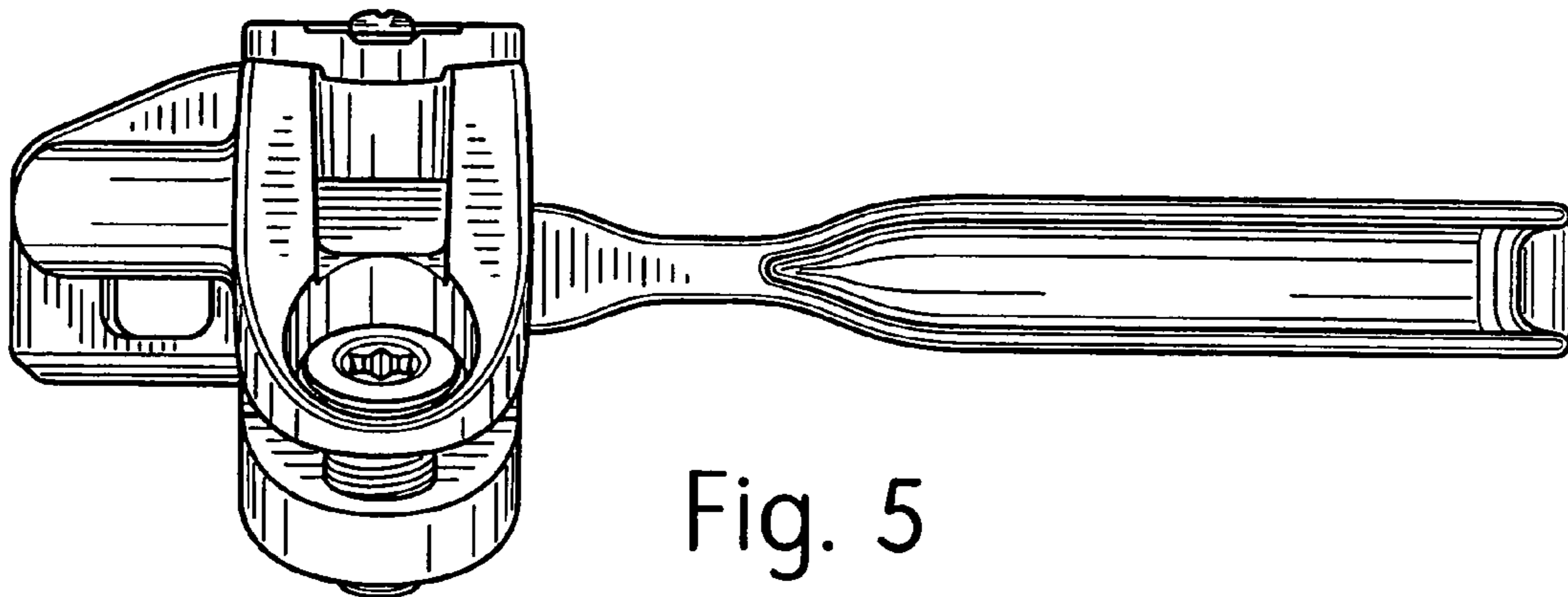


Fig. 5

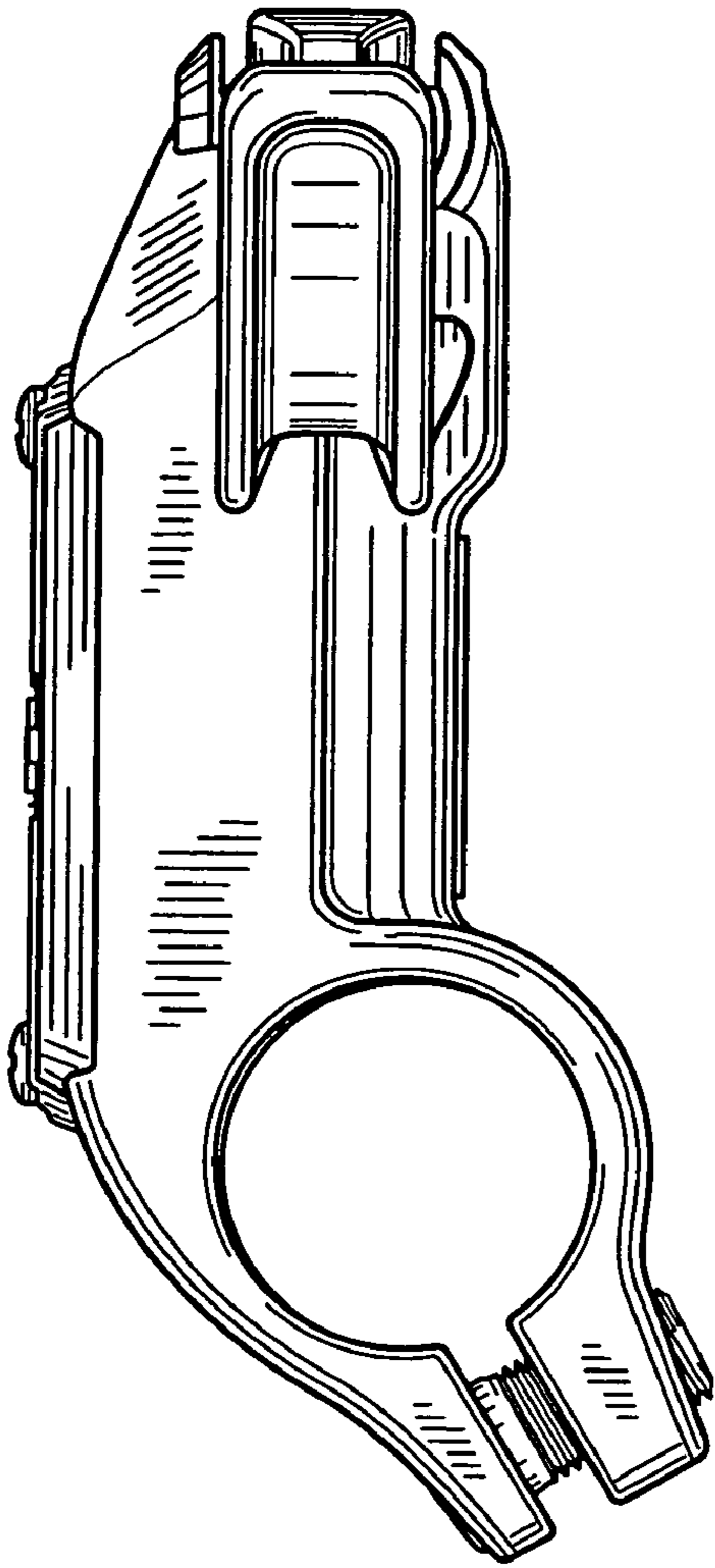


Fig. 6

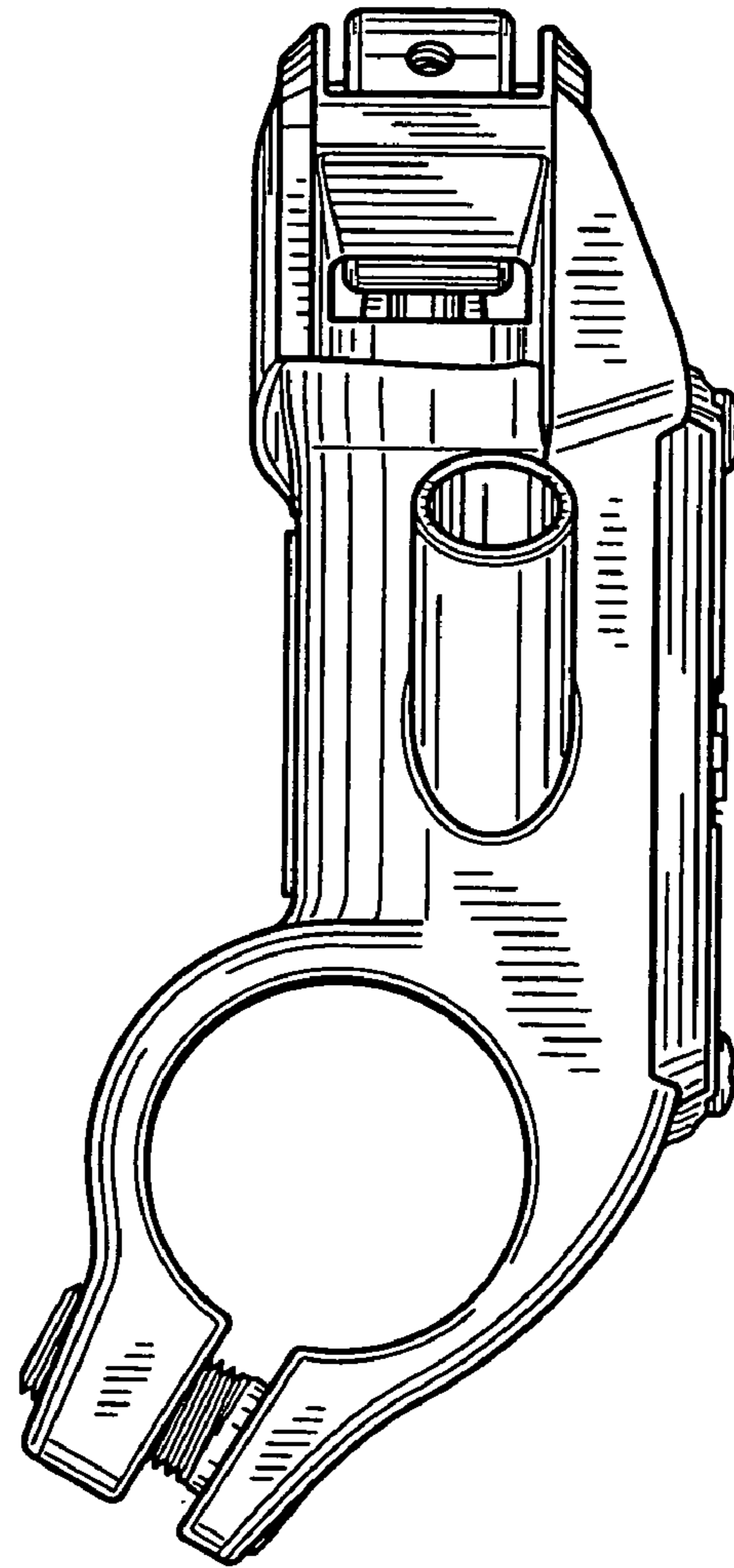


Fig. 7