

US00D543903S

(12) **United States Design Patent**
Kashima

(10) **Patent No.:** **US D543,903 S**
(45) **Date of Patent:** **** Jun. 5, 2007**

(54) **MOTOR SCOOTER**

JP 1154420 9/2002

(75) Inventor: **Hajime Kashima**, Wako (JP)

* cited by examiner

(73) Assignee: **Honda Motor Co., Ltd.**, Tokyo (JP)

Primary Examiner—Alan P. Douglas

Assistant Examiner—Linda Brooks

(**) Term: **14 Years**

(74) *Attorney, Agent, or Firm*—Birch, Stewart, Kolasch & Birch, LLP

(21) Appl. No.: **29/223,441**

(22) Filed: **Feb. 15, 2005**

(57) **CLAIM**

(30) **Foreign Application Priority Data**

The ornamental design for, a motor scooter, as shown and described.

Aug. 23, 2004 (JP) 2004-025098

(51) **LOC (8) Cl.** **12-11**

(52) **U.S. Cl.** **D12/110**

(58) **Field of Classification Search** D12/110,
D12/111; 180/219, 220, 221; 280/288.1,
280/288.2; D21/423

See application file for complete search history.

DESCRIPTION

FIG. 1 is a front elevation view of a motor scooter, showing our new design;

FIG. 2 is a rear elevation view thereof;

FIG. 3 is a top plan view thereof;

FIG. 4 is a right side elevation view thereof;

FIG. 5 is a left side elevation view thereof;

FIG. 6 is a perspective view thereof; and,

FIG. 7 is another perspective view thereof.

(56) **References Cited**

U.S. PATENT DOCUMENTS

D441,323 S * 5/2001 Cheng D12/111

FOREIGN PATENT DOCUMENTS

JP 1126784 11/2001

1 Claim, 7 Drawing Sheets

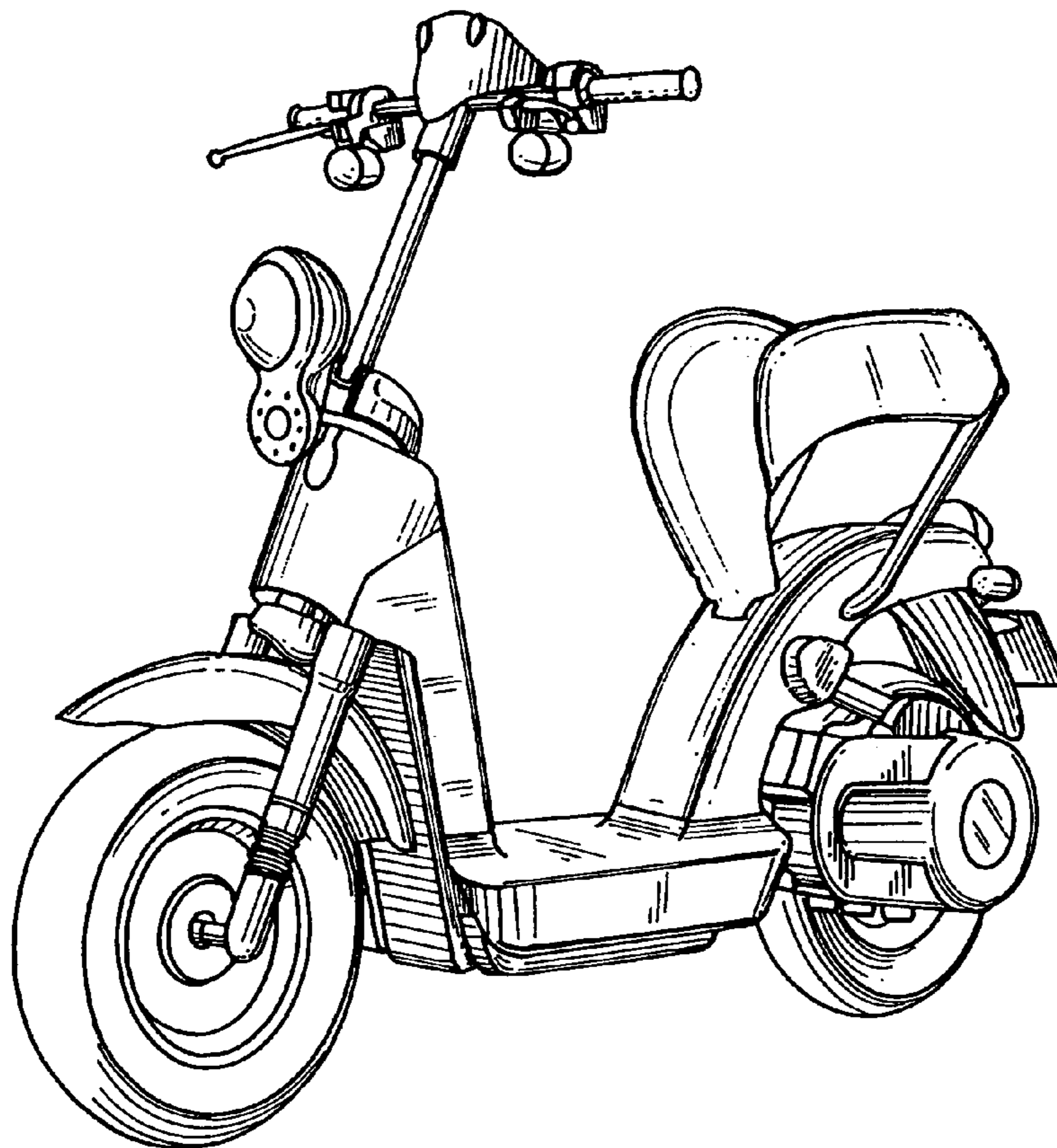
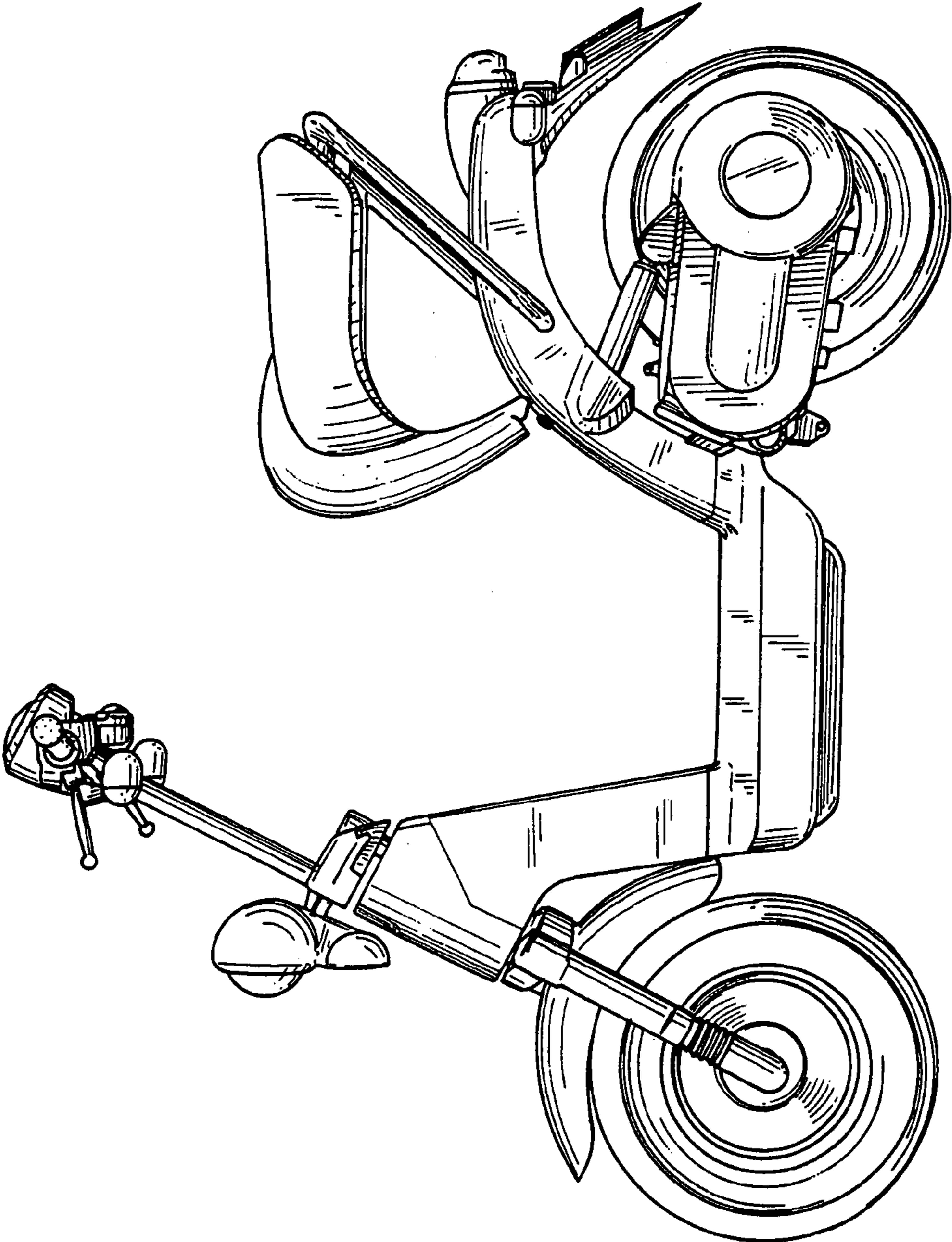


FIG. 1



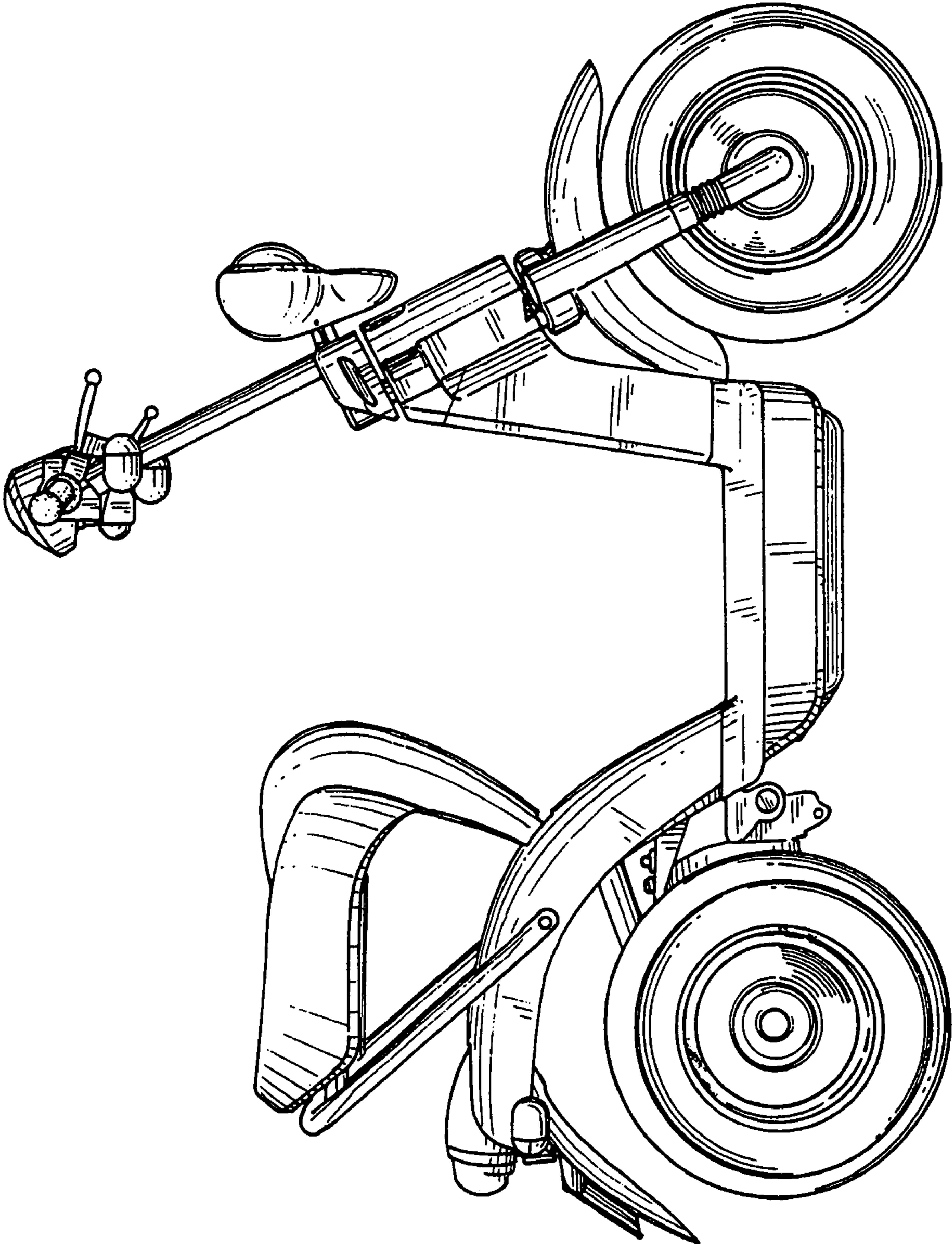


FIG. 2

FIG. 3

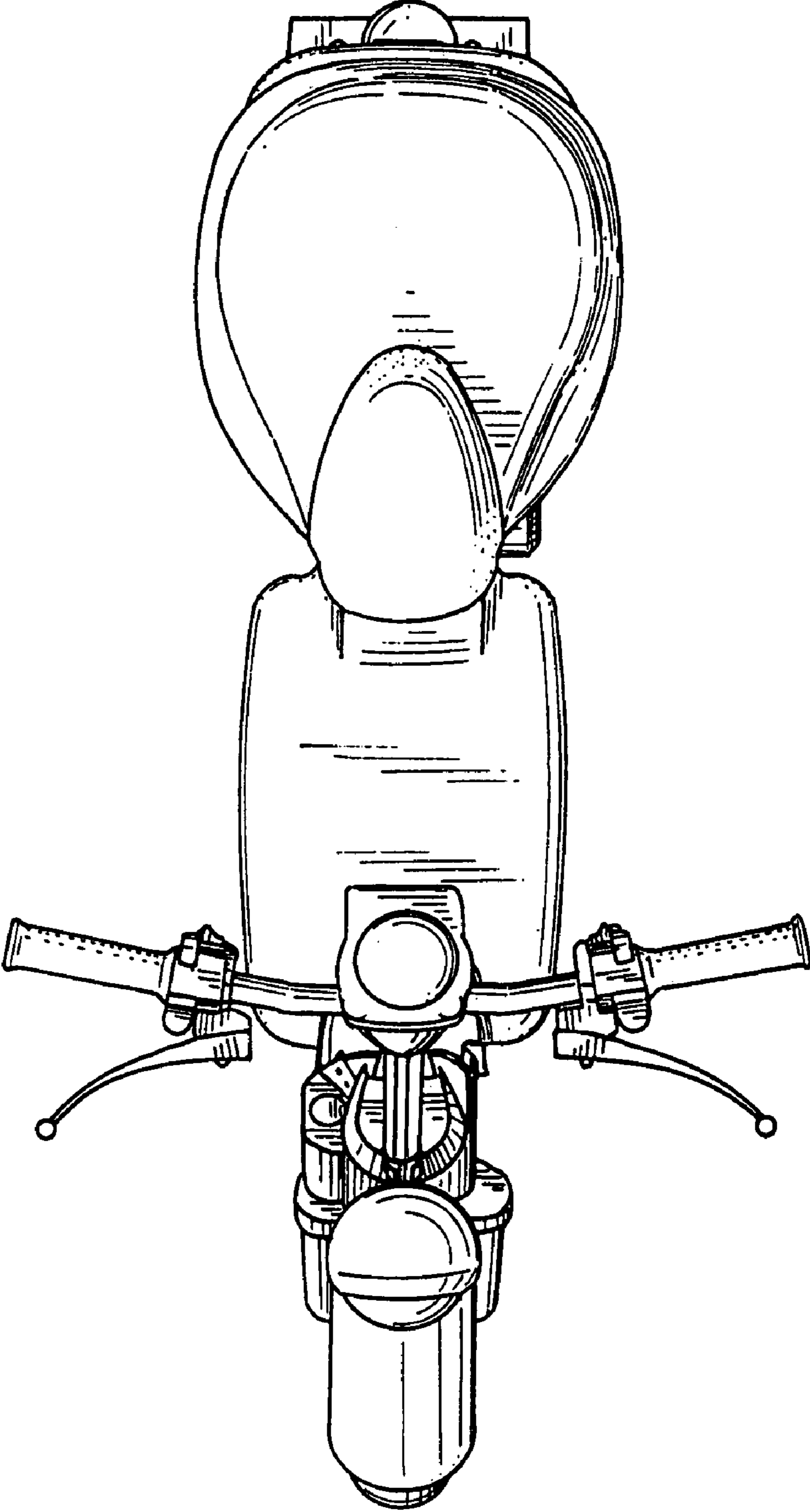


FIG. 4

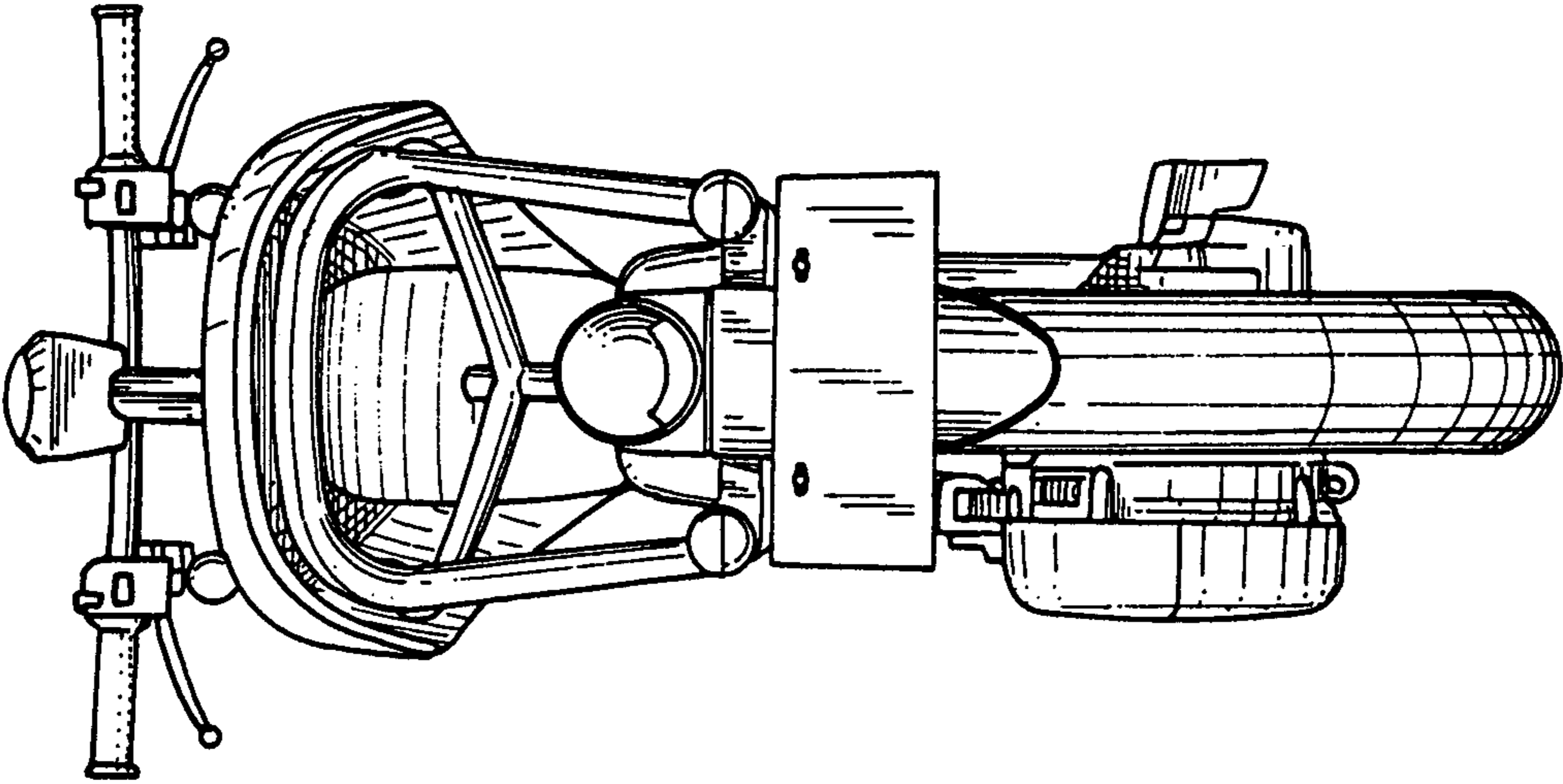


FIG. 5

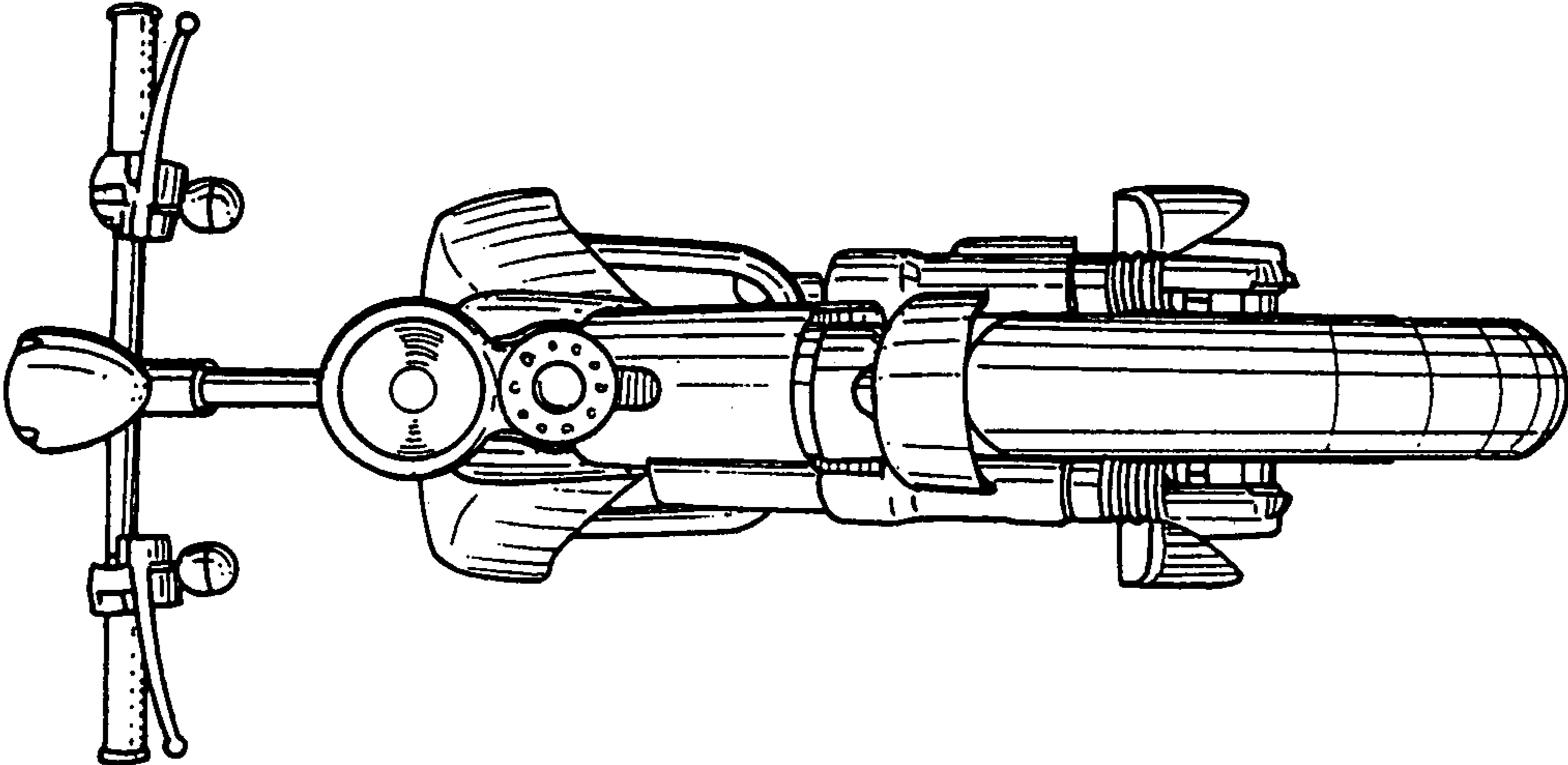


FIG. 6

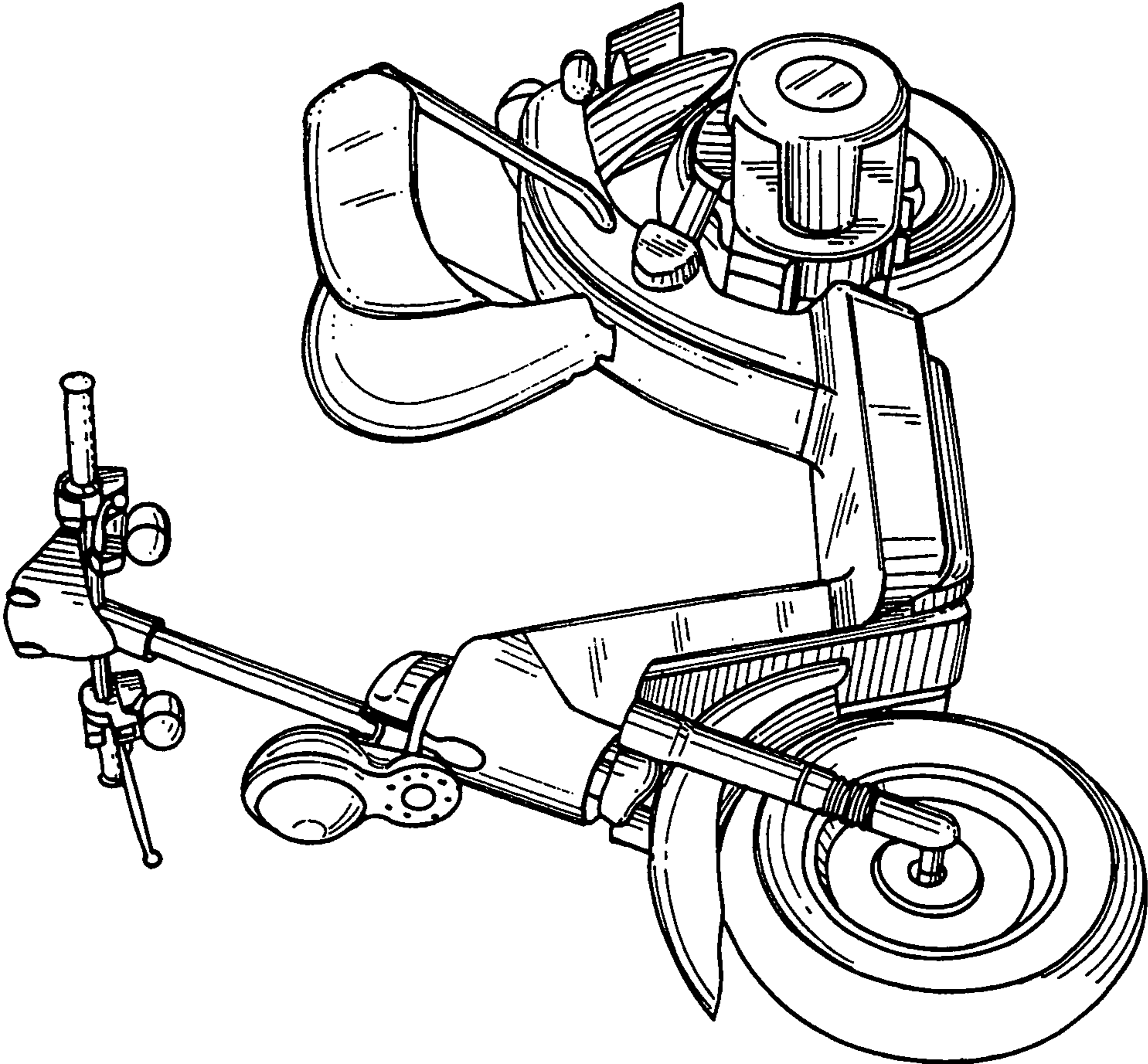


FIG. 7

