



US00D543900S

(12) **United States Design Patent**
Lian

(10) **Patent No.:** **US D543,900 S**

(45) **Date of Patent:** **** Jun. 5, 2007**

(54) **VEHICLE CARGO ROOF CAB**

D520,928 S * 5/2006 Matei et al. D12/196
D524,189 S * 7/2006 Wheel et al. D12/91

(76) Inventor: **David N L Lian**, 7913 S. 86th East Pl.,
Tulsa, OK (US) 74133

* cited by examiner

(**) Term: **14 Years**

Primary Examiner—Melody N. Brown

(21) Appl. No.: **29/221,734**

(57) **CLAIM**

(22) Filed: **Jan. 21, 2005**

The ornamental design for a vehicle cargo roof cab, as shown and described.

(51) **LOC (8) Cl.** **12-16**

(52) **U.S. Cl.** **D12/96**

(58) **Field of Classification Search** D12/96,
D12/93; 296/190.1–190.3; D34/34–37;
D15/23, 25

See application file for complete search history.

DESCRIPTION

(56) **References Cited**

FIG. 1 is a perspective view of a vehicle cargo roof cab in a raised position, Showing my new design;

FIG. 2 is a left side elevational view, the right side being a mirror image Thereof;

FIG. 3 is a rear elevational view thereof; and,

FIG. 4 is a perspective view of a vehicle cargo roof cab and other in a closed position.

U.S. PATENT DOCUMENTS

D463,767 S * 10/2002 Sehgal et al. D12/196
D516,956 S * 3/2006 Bucci et al. D12/91

1 Claim, 4 Drawing Sheets

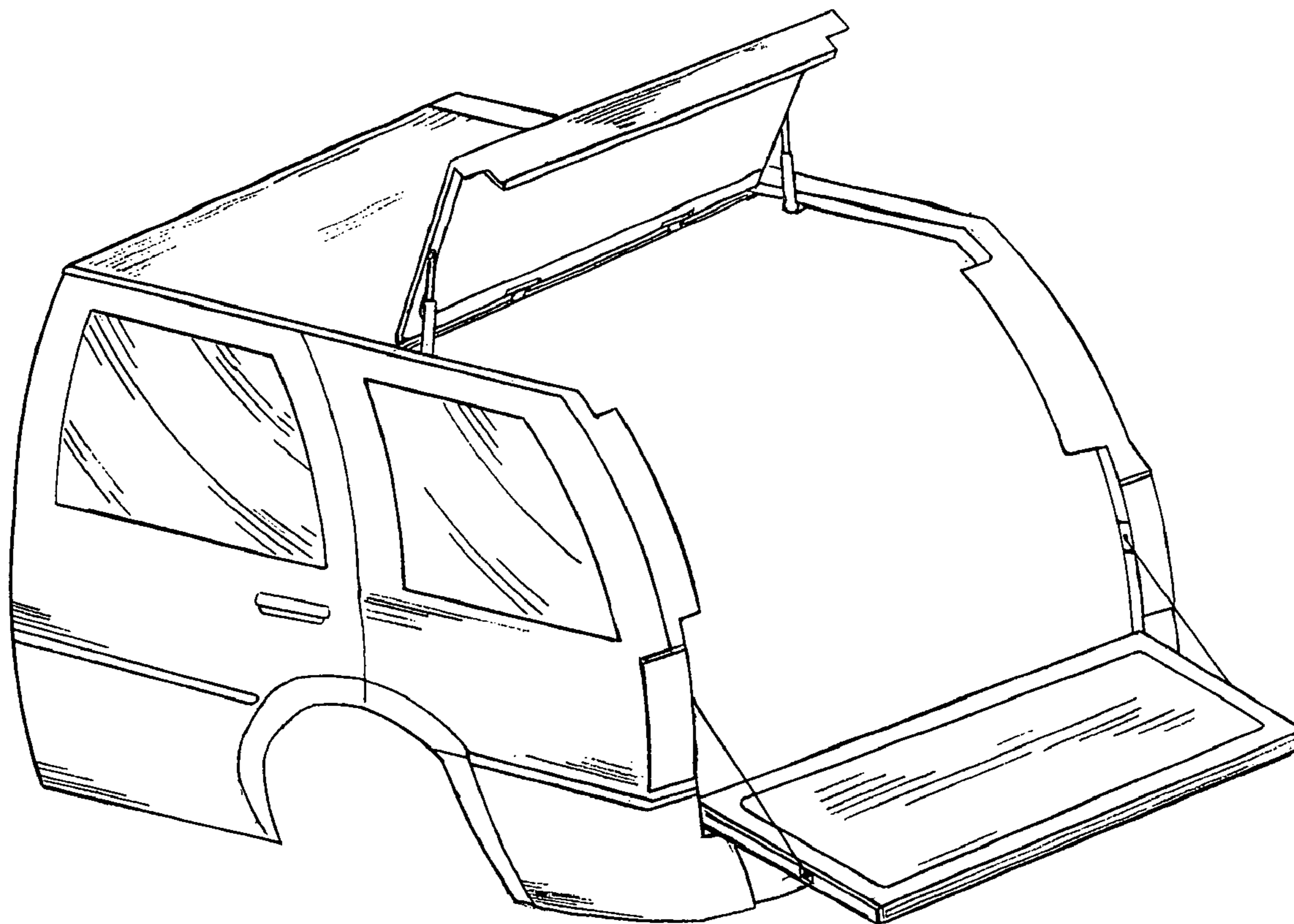


FIG. 1

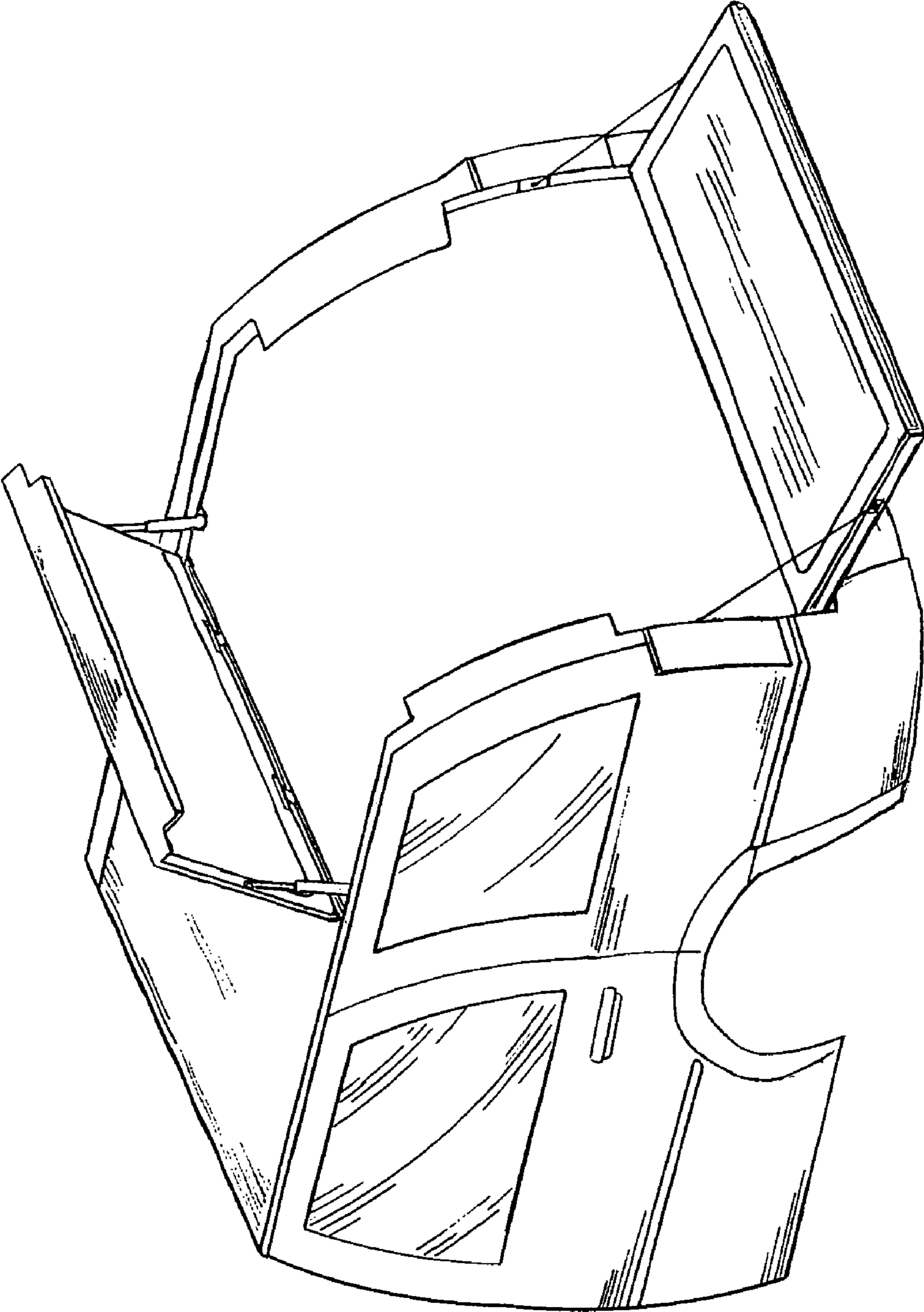


FIG. 2

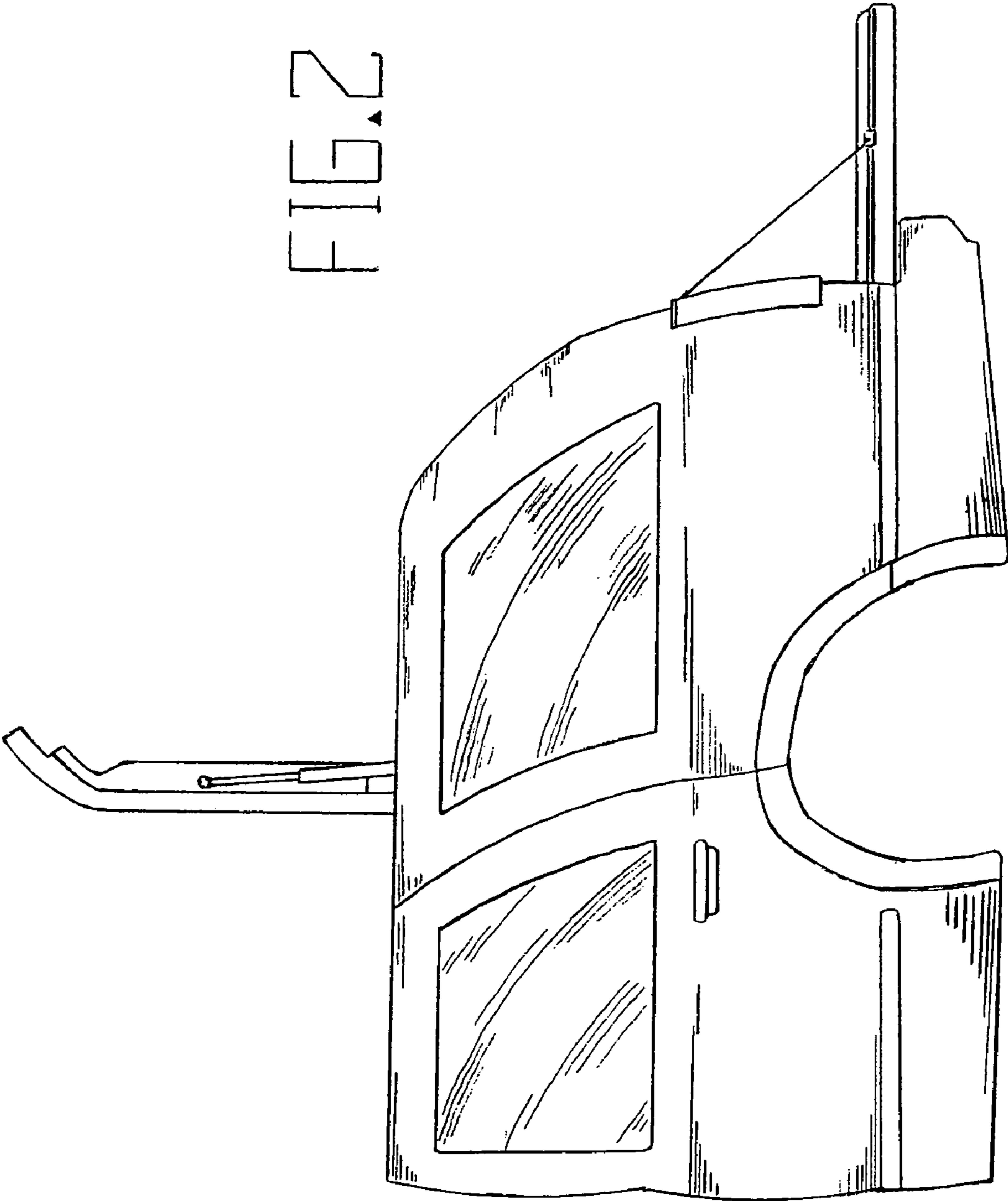
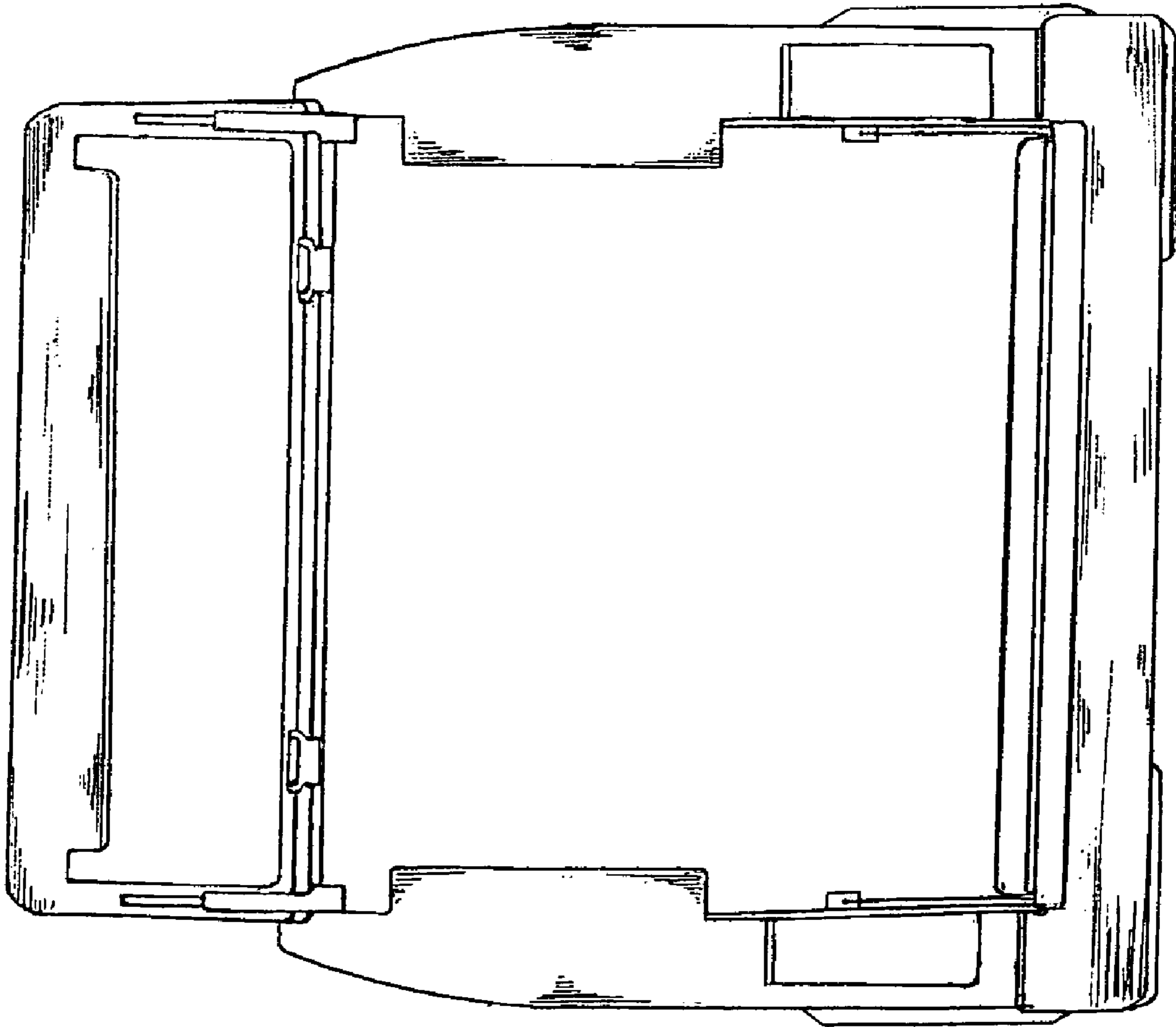


FIG. 3



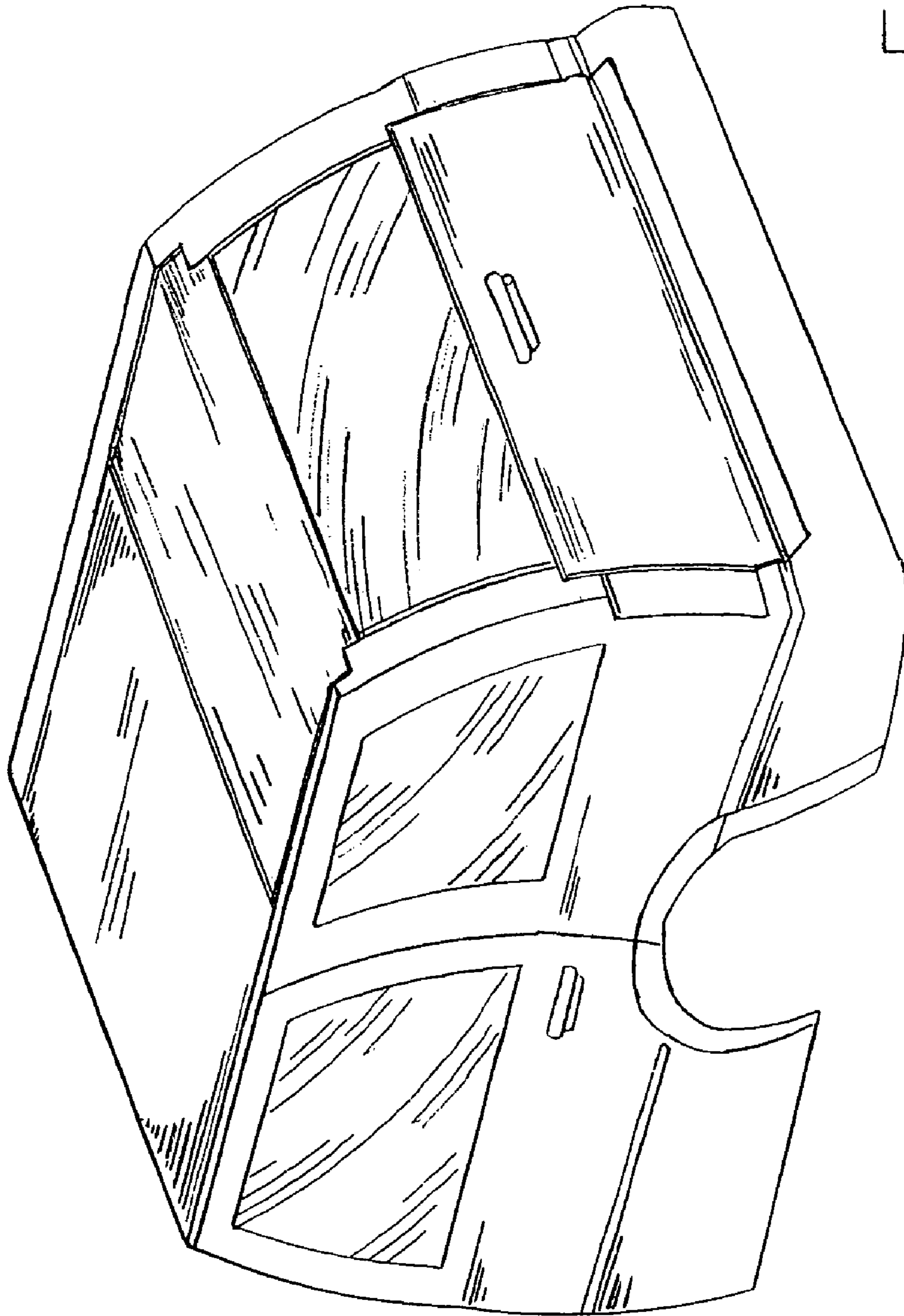


FIG. 4