

US00D543898S

(12) **United States Design Patent**
Pease

(10) **Patent No.:** **US D543,898 S**

(45) **Date of Patent:** **** Jun. 5, 2007**

(54) **RACING-THEMED LIMOUSINE**

D494,102 S 8/2004 Pease

(76) Inventor: **Bryan L. Pease**, 5621 Strand Blvd.,
Ste. 205, Naples, FL (US) 34110

* cited by examiner

Primary Examiner—Melody N. Brown
(74) *Attorney, Agent, or Firm*—The Livingston Firm;
Edward M. Livingston; Angela M. Miller

(**) Term: **14 Years**

(21) Appl. No.: **29/262,188**

(22) Filed: **Jun. 28, 2006**

(57) **CLAIM**

The ornamental design for a racing-themed limousine, as shown and described.

(51) **LOC (8) Cl.** **12-08**

(52) **U.S. Cl.** **D12/86**

(58) **Field of Classification Search** D12/90–92,
D12/86; D21/424, 433; 296/181.1, 181.5
See application file for complete search history.

DESCRIPTION

FIG. 1 is a side elevational view of a racing-themed limousine showing my new design;

FIG. 2 is a an opposite side elevational view thereof;

FIG. 3 is a top plan view thereof;

FIG. 4 is a front elevational view thereof; and,

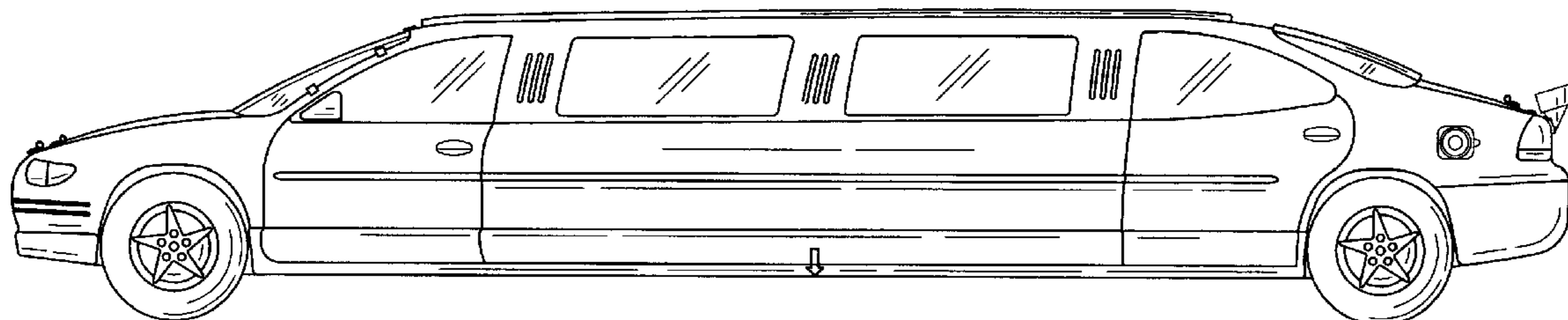
FIG. 5 is a rear elevational view thereof.

(56) **References Cited**

U.S. PATENT DOCUMENTS

D432,951 S	10/2000	Pfeiffer et al.	
D457,467 S	5/2002	Shimizu	
D458,186 S	6/2002	Shimizu	
D466,448 S	* 12/2002	Pfeiffer et al. D12/92

1 Claim, 2 Drawing Sheets



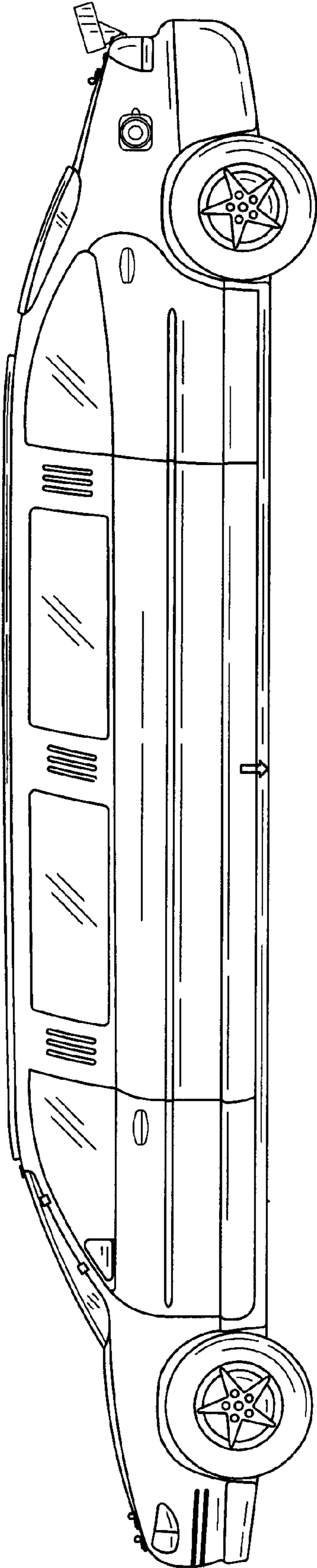


FIG. 1

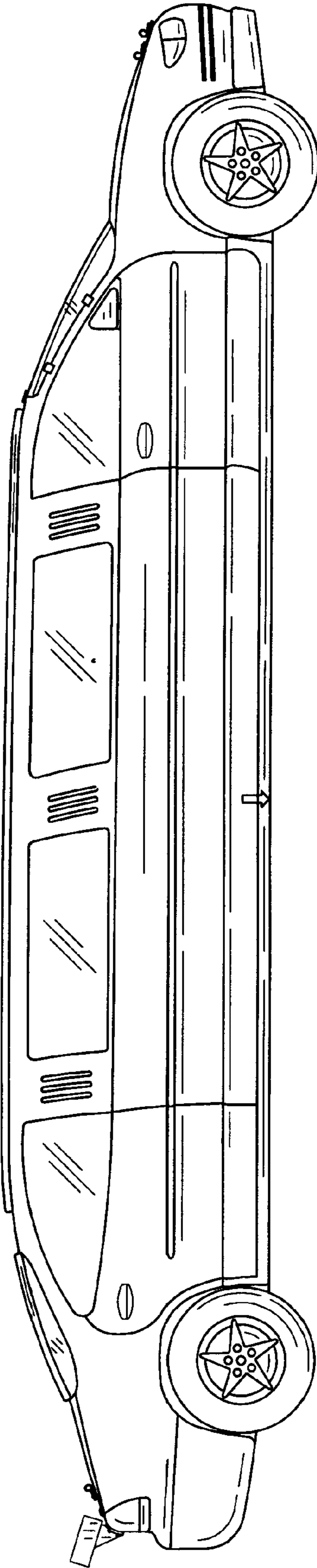


FIG. 2

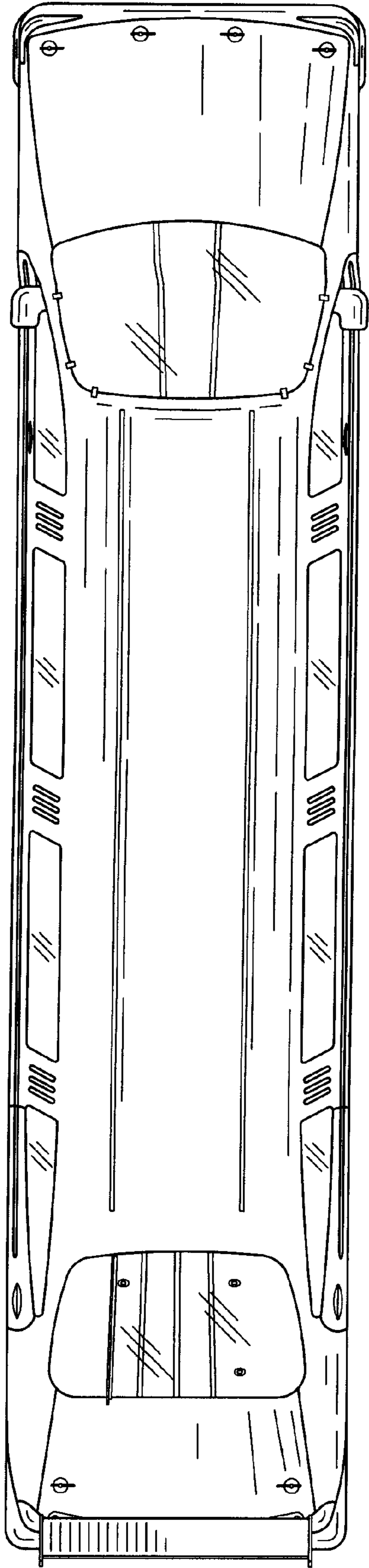


FIG. 3

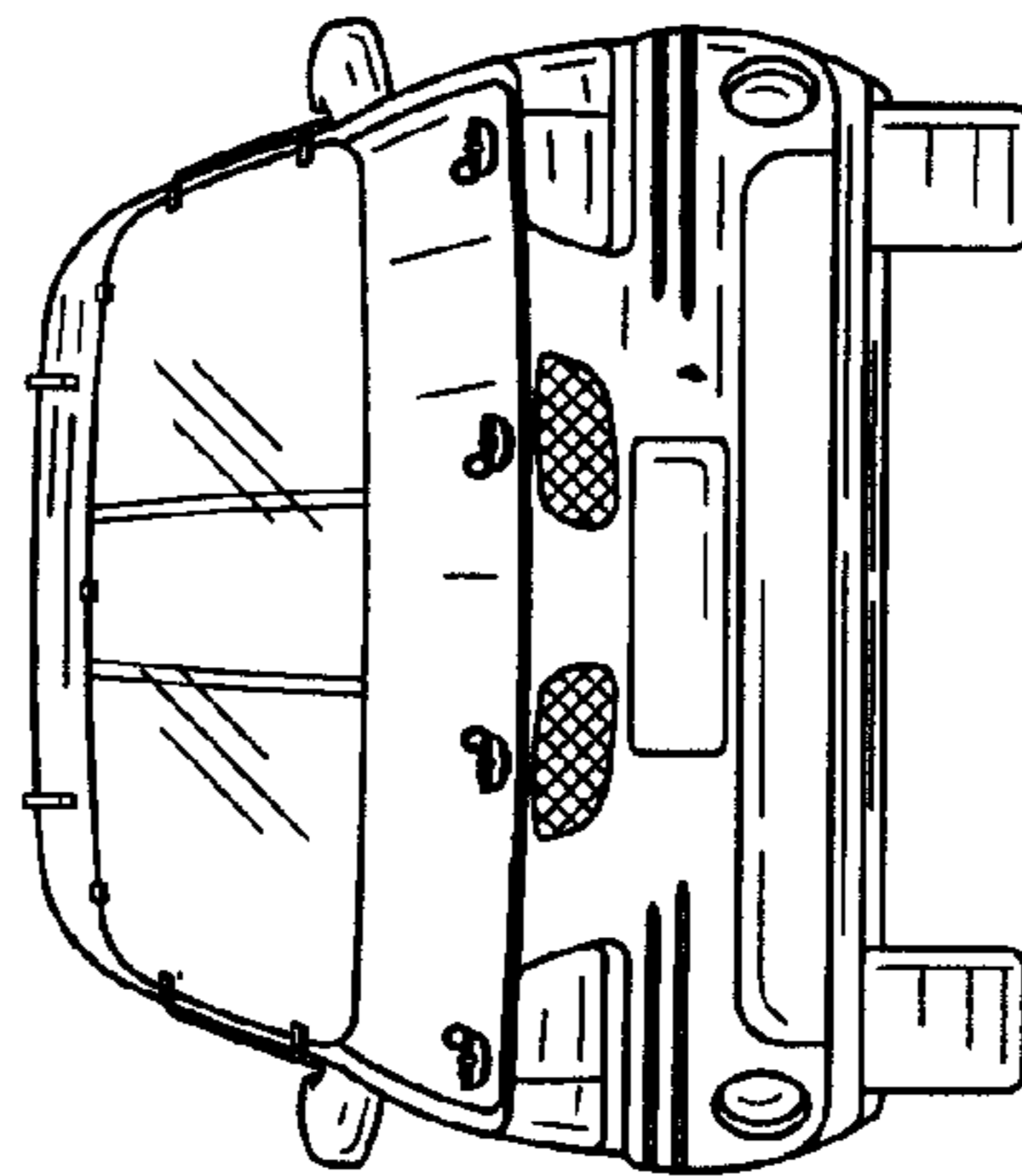


FIG. 4

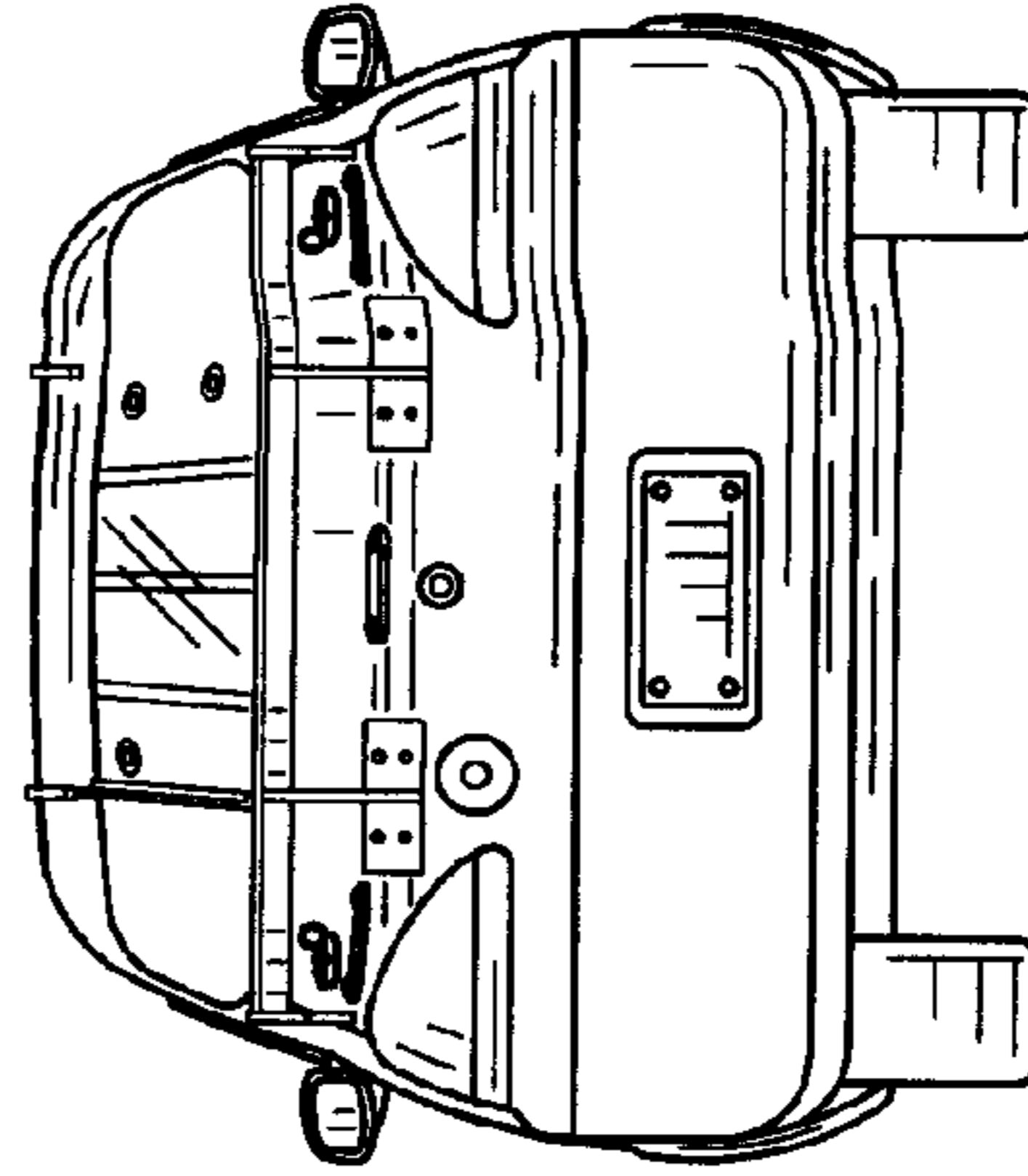


FIG. 5