

US00D543897S

(12) **United States Design Patent**
Anscher

(10) **Patent No.:** **US D543,897 S**

(45) **Date of Patent:** **** Jun. 5, 2007**

(54) **FEMALE BUCKLE PORTION**

(76) **Inventor:** **Joseph Anscher**, 1928 Midlane,
Muttontown, NY (US) 11791

(**) **Term:** **14 Years**

(21) **Appl. No.:** **29/202,948**

(22) **Filed:** **Apr. 7, 2004**

(51) **LOC (8) Cl.** **02-07**

(52) **U.S. Cl.** **D11/218**

(58) **Field of Classification Search** D11/200,
D11/201, 208–210, 212–218, 220, 230–234,
D11/236–237, 86–87, 94; 63/15.2, 15; 24/307,
24/625, 616, 200, 196, 171, 169, 112, 614,
24/615

See application file for complete search history.

(56) **References Cited**

U.S. PATENT DOCUMENTS

D524,693 S * 7/2006 Uehara et al. D11/216

* cited by examiner

Primary Examiner—Ralf Seifert

(74) *Attorney, Agent, or Firm*—Collard & Roe, P.C.

(57) **CLAIM**

The ornamental design for a female buckle portion, as shown and described.

DESCRIPTION

FIG. 1 shows a perspective view of my design for a female buckle portion according to the invention;

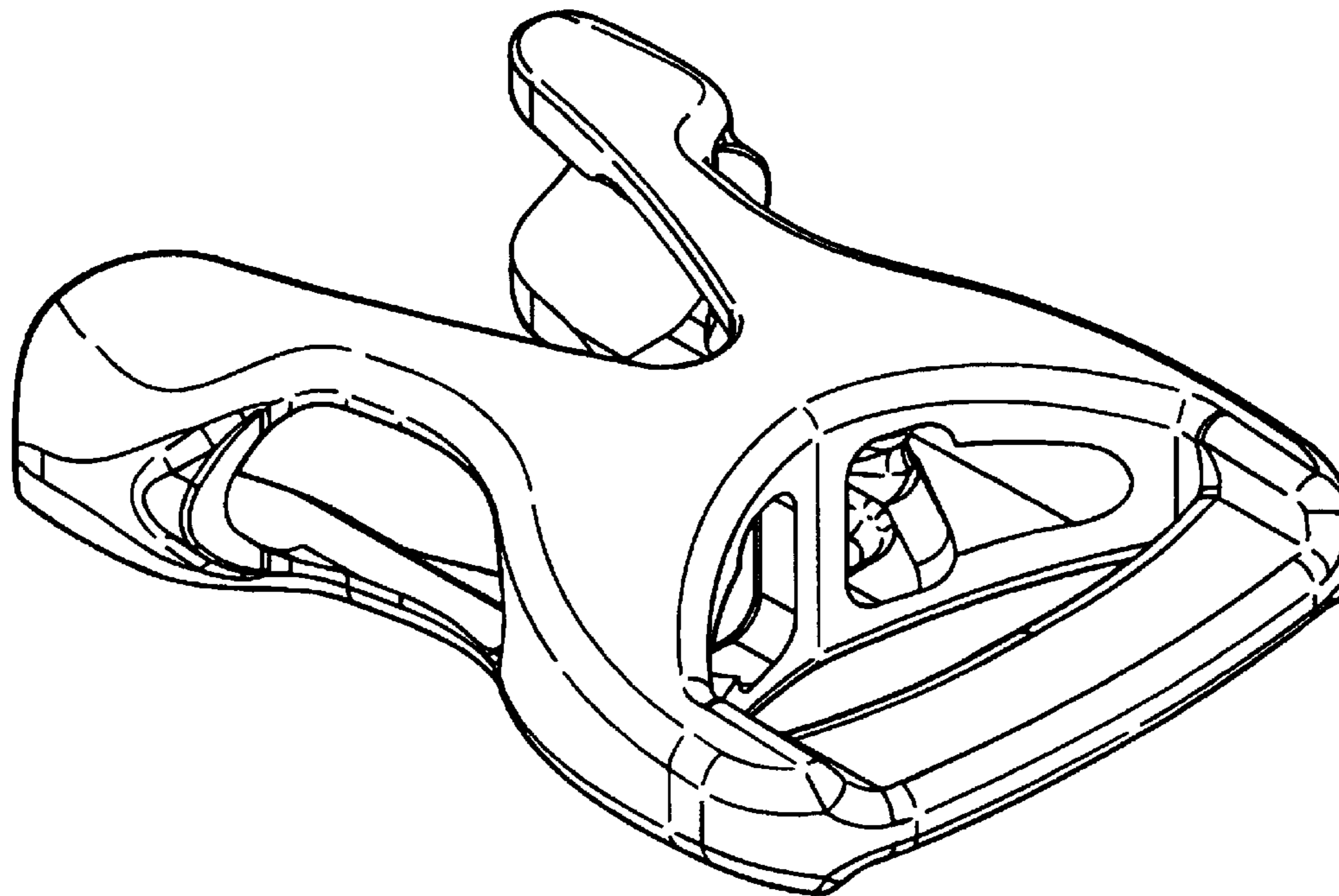
FIG. 2 shows a top view thereof, with the bottom view being identical;

FIG. 3 shows a side view thereof, with the opposite side view being a mirror image thereof;

FIG. 4 shows a front end view thereof; and,

FIG. 5 shows a rear end view thereof.

1 Claim, 2 Drawing Sheets



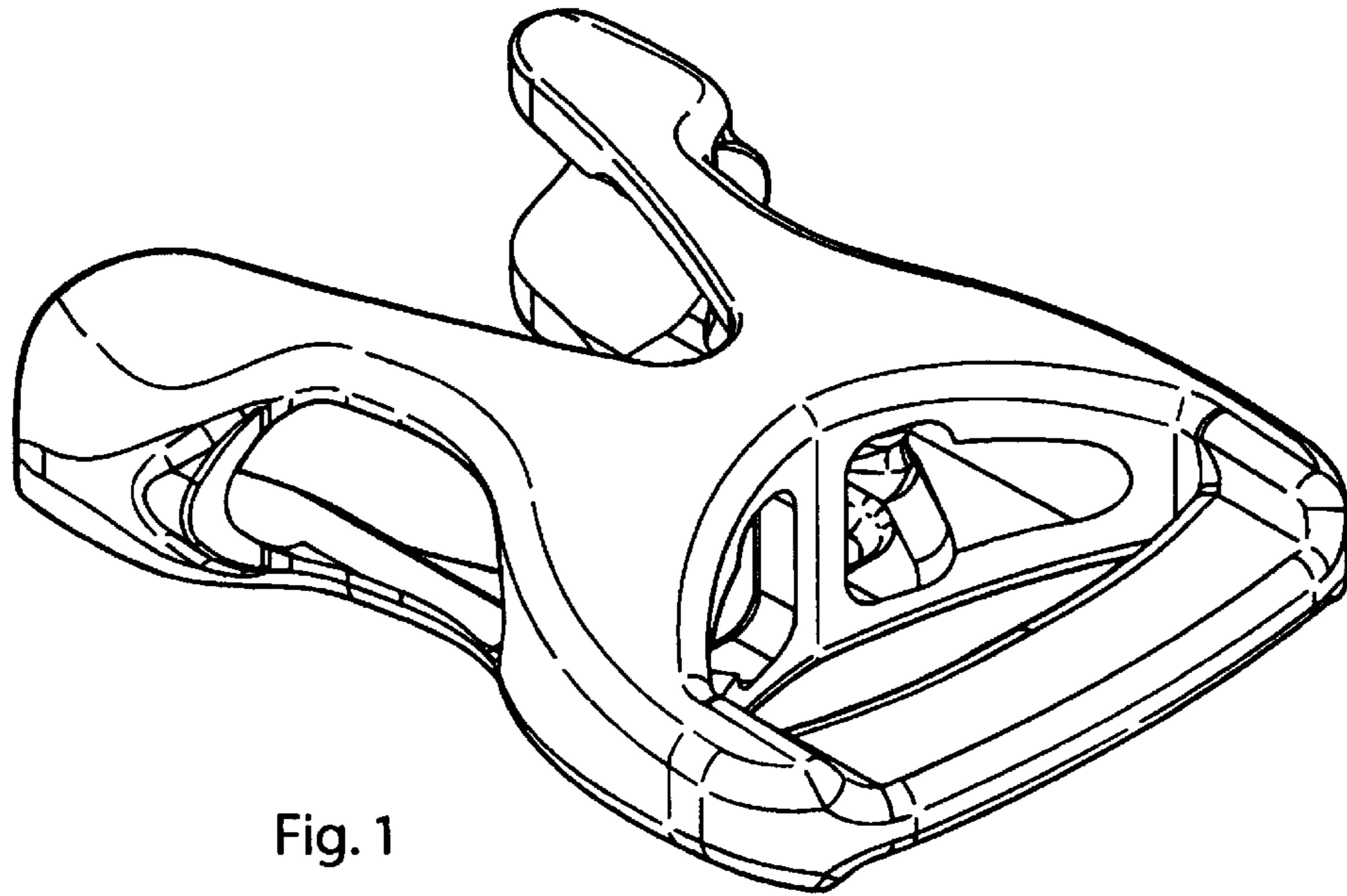


Fig. 1

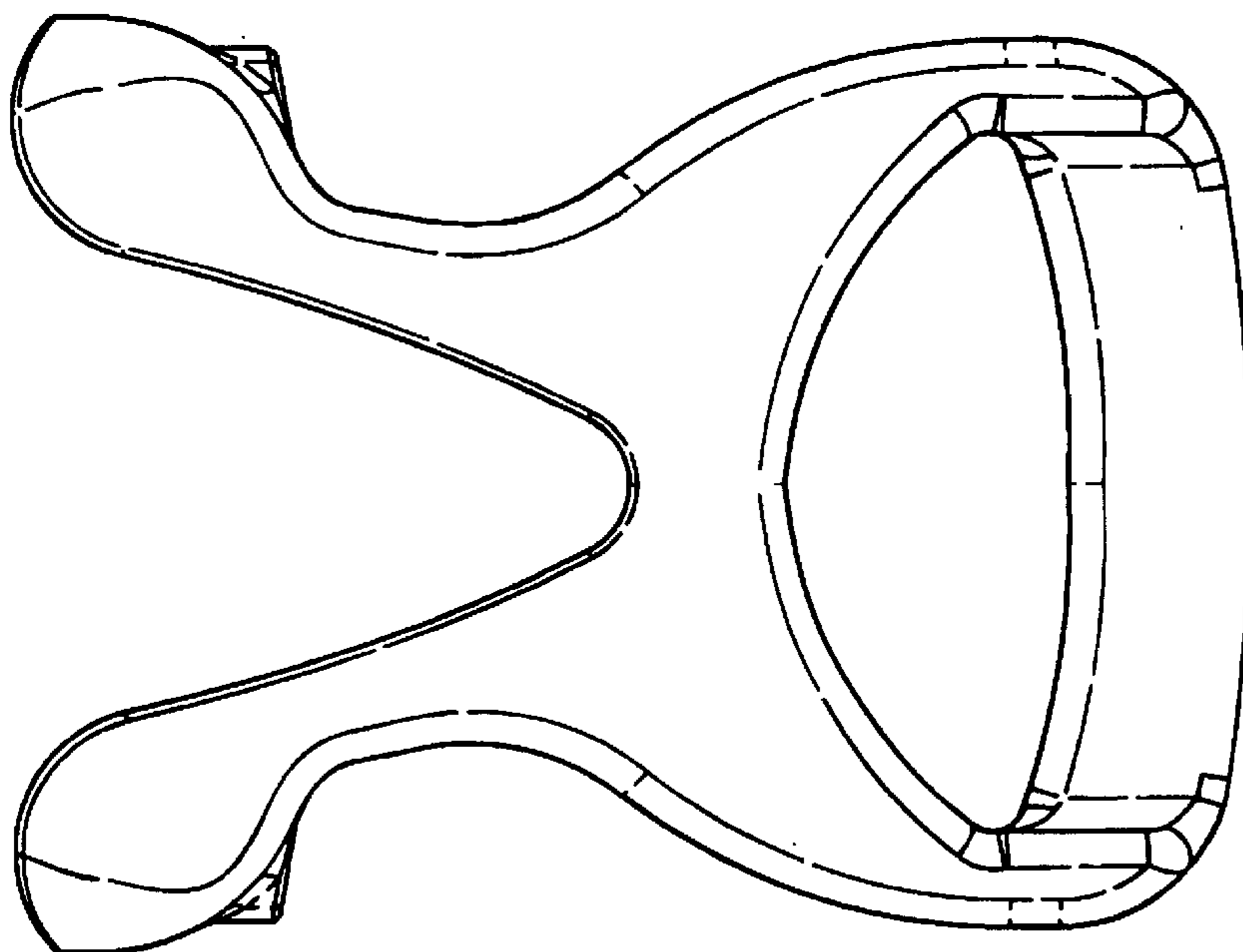


Fig. 2

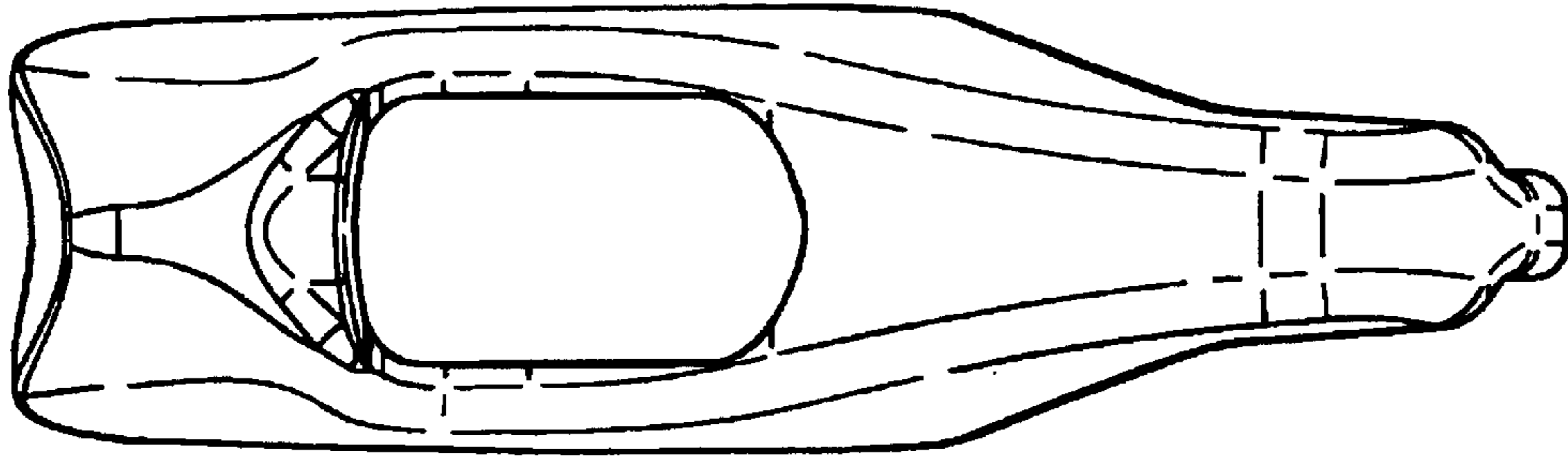


Fig. 3

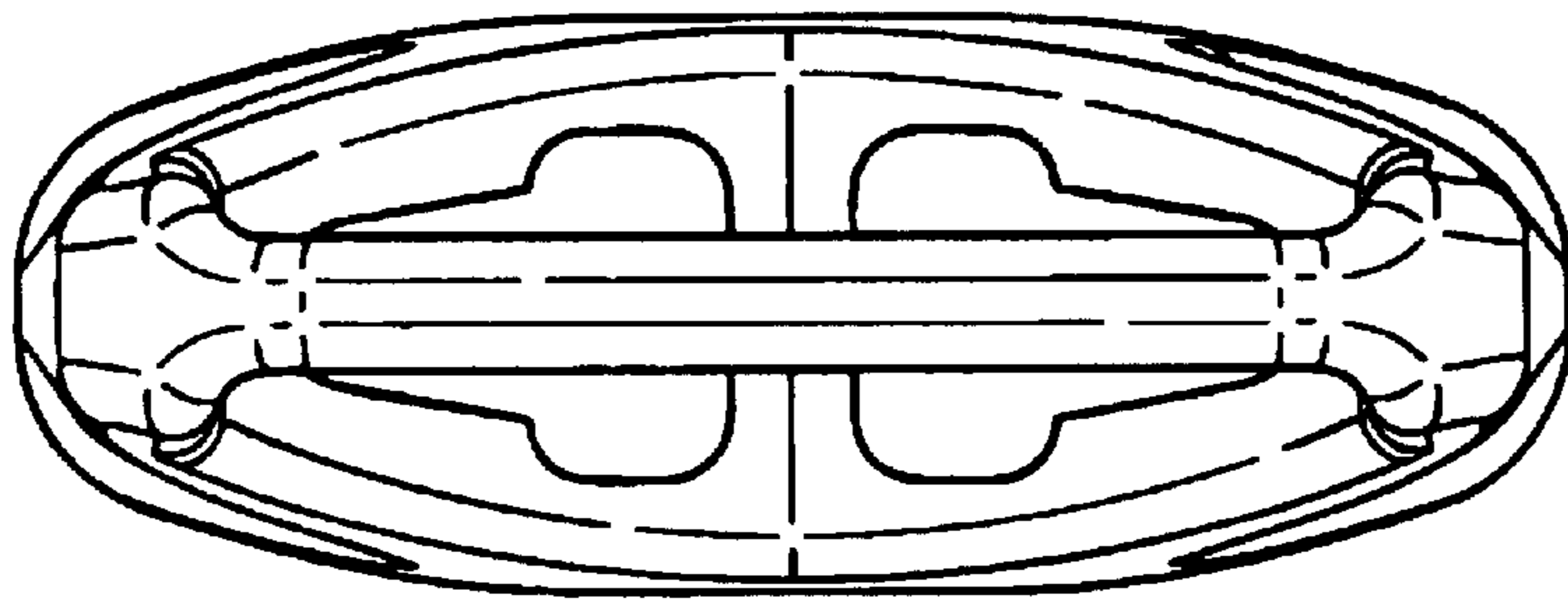


Fig. 4

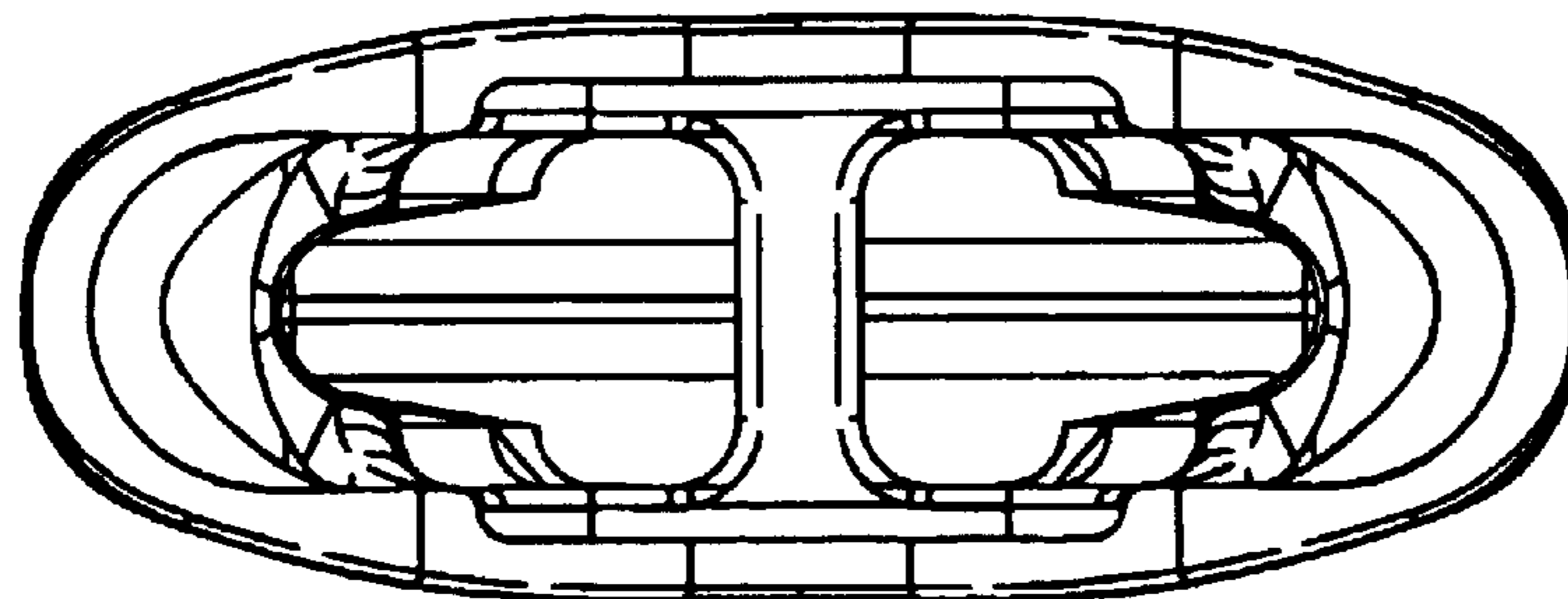


Fig. 5