



US00D543885S

(12) **United States Design Patent**  
**Yorinaga**

(10) **Patent No.:** **US D543,885 S**  
(45) **Date of Patent:** **\*\* Jun. 5, 2007**

(54) **PHOTO SENSOR**

2005/0082465 A1 \* 4/2005 Yamaguchi et al. .... 250/221

(75) Inventor: **Akikazu Yorinaga**, Kasugai (JP)

FOREIGN PATENT DOCUMENTS

(73) Assignee: **Sunx Limited** (JP)

JP	D1228327	12/2004
JP	D1229328	12/2004
KR	173987	1/1996
KR	3019970025722	12/1997
KR	3019970025727	12/1997
TW	308519	6/1997
TW	560924	11/2003

(\*\*) Term: **14 Years**

(21) Appl. No.: **29/257,131**

(22) Filed: **Mar. 30, 2006**

\* cited by examiner

(30) **Foreign Application Priority Data**

Dec. 6, 2005 (JP) ..... 2005-036050

*Primary Examiner*—Antoine D. Davis

*Assistant Examiner*—Patricia Palasik

(51) **LOC (8) Cl.** ..... **10-05**

(74) *Attorney, Agent, or Firm*—Nixon & Vanderhye PC

(52) **U.S. Cl.** ..... **D10/106**

(58) **Field of Classification Search** ..... D10/104,  
D10/106; 250/205, 206, 208.1, 214 LA, 214 PR,  
250/214 AL, 227.11, 227.14, 234, 559.11,  
250/559.12, 559.15, 559.16, 559.19, 559.38;  
340/541, 545.3, 551–552, 565, 567; 356/3.03,  
356/3.04, 4.01, 28, 218; 901/47

(57) **CLAIM**

The ornamental design for a photo sensor, as shown.

See application file for complete search history.

**DESCRIPTION**

FIG. 1 is a rear perspective view of a photo sensor showing my new design;

FIG. 2 is a front perspective view thereof;

FIG. 3 is a front view thereof;

FIG. 4 is a rear view thereof;

FIG. 5 is a top plan view thereof;

FIG. 6 is a bottom plan view thereof;

FIG. 7 is a right side elevational view thereof; and,

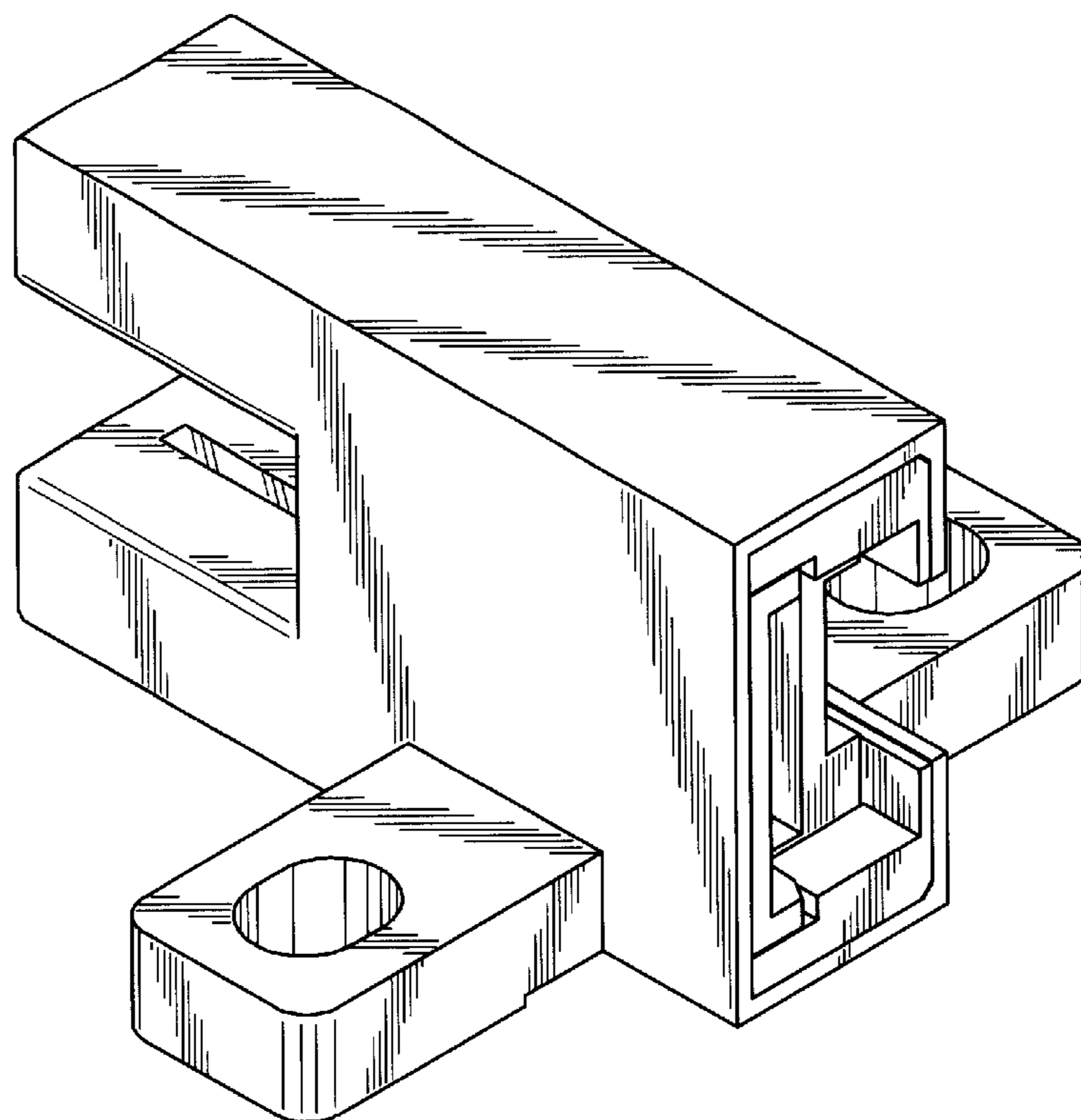
FIG. 8 is a left side elevational view thereof.

(56) **References Cited**

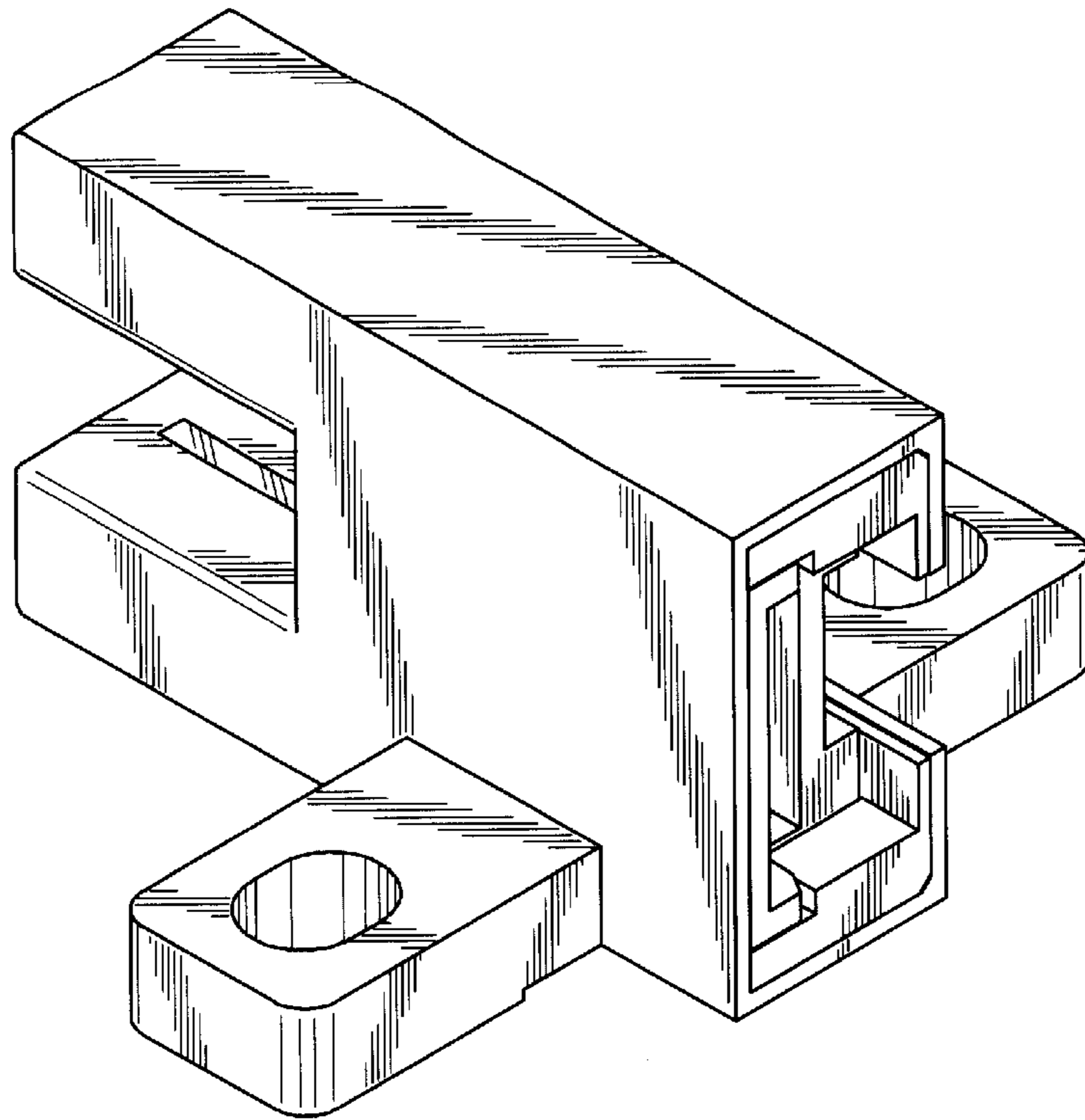
U.S. PATENT DOCUMENTS

3,973,685 A \* 8/1976 Loomer ..... 901/47  
D485,774 S \* 1/2004 Hwang et al. .... D10/106  
2004/0001193 A1 \* 1/2004 Takaoka ..... 356/3.03  
2004/0079871 A1 \* 4/2004 Oikawa et al. .... 250/234

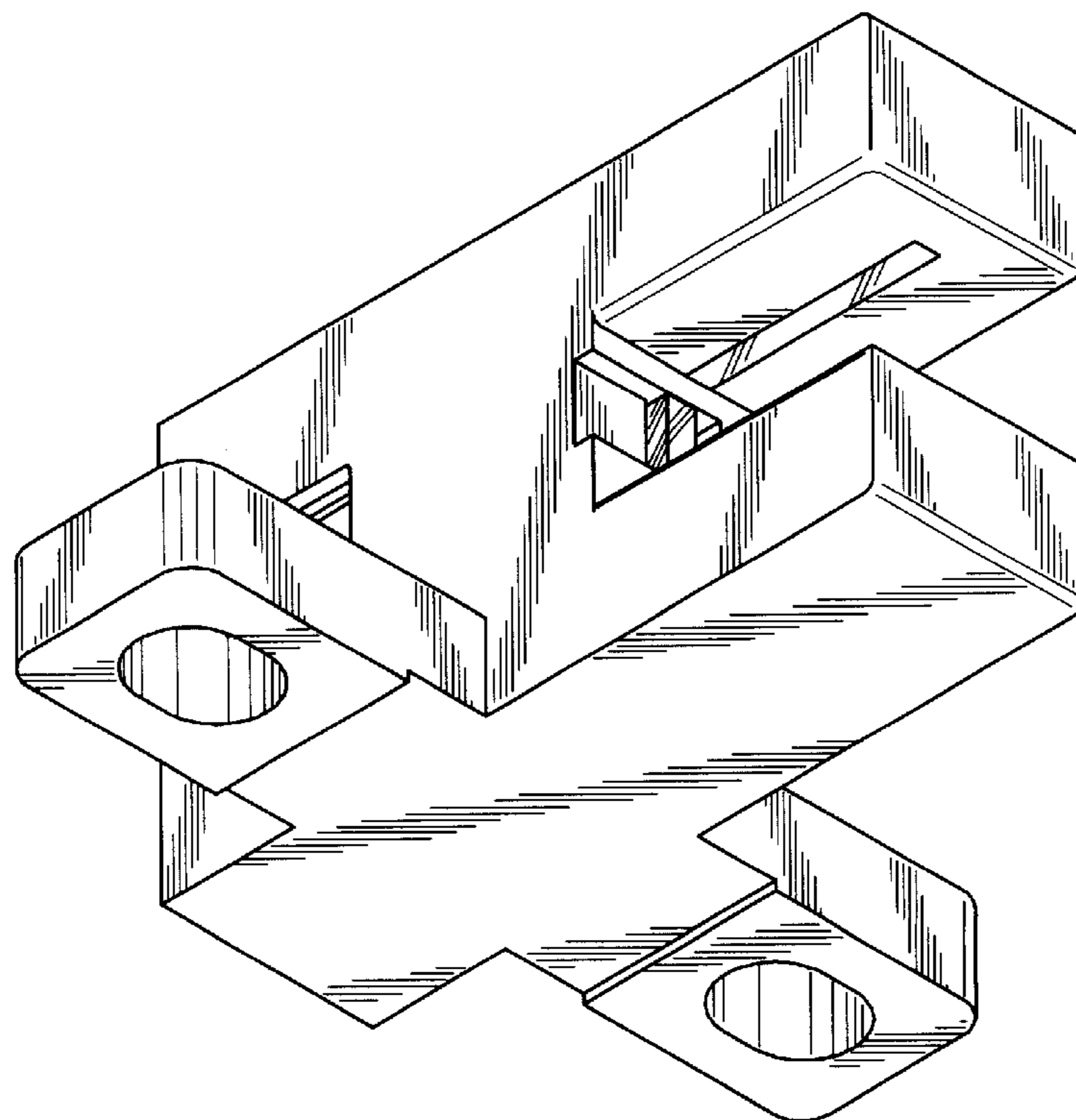
**1 Claim, 4 Drawing Sheets**



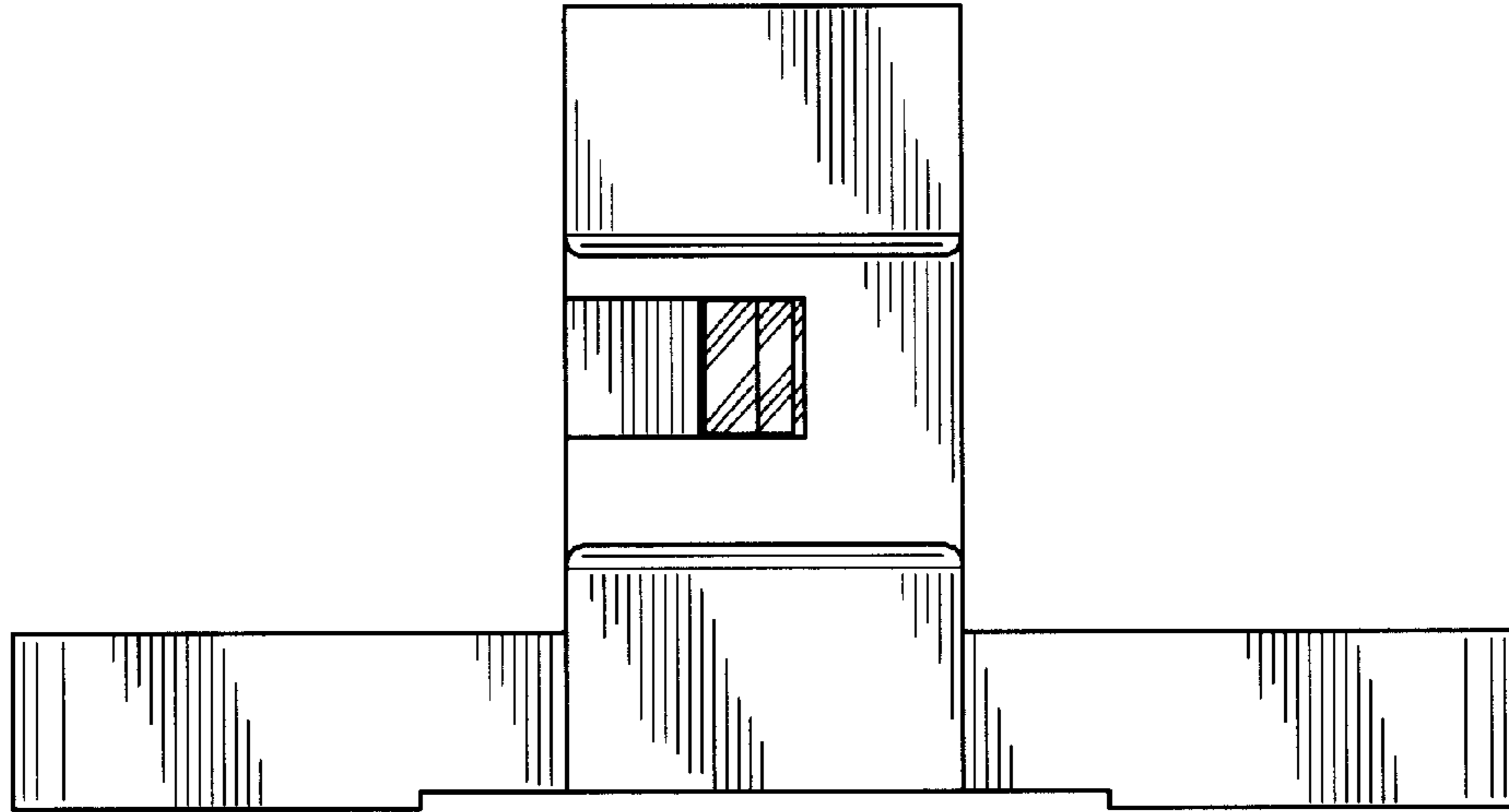
**FIG. 1**



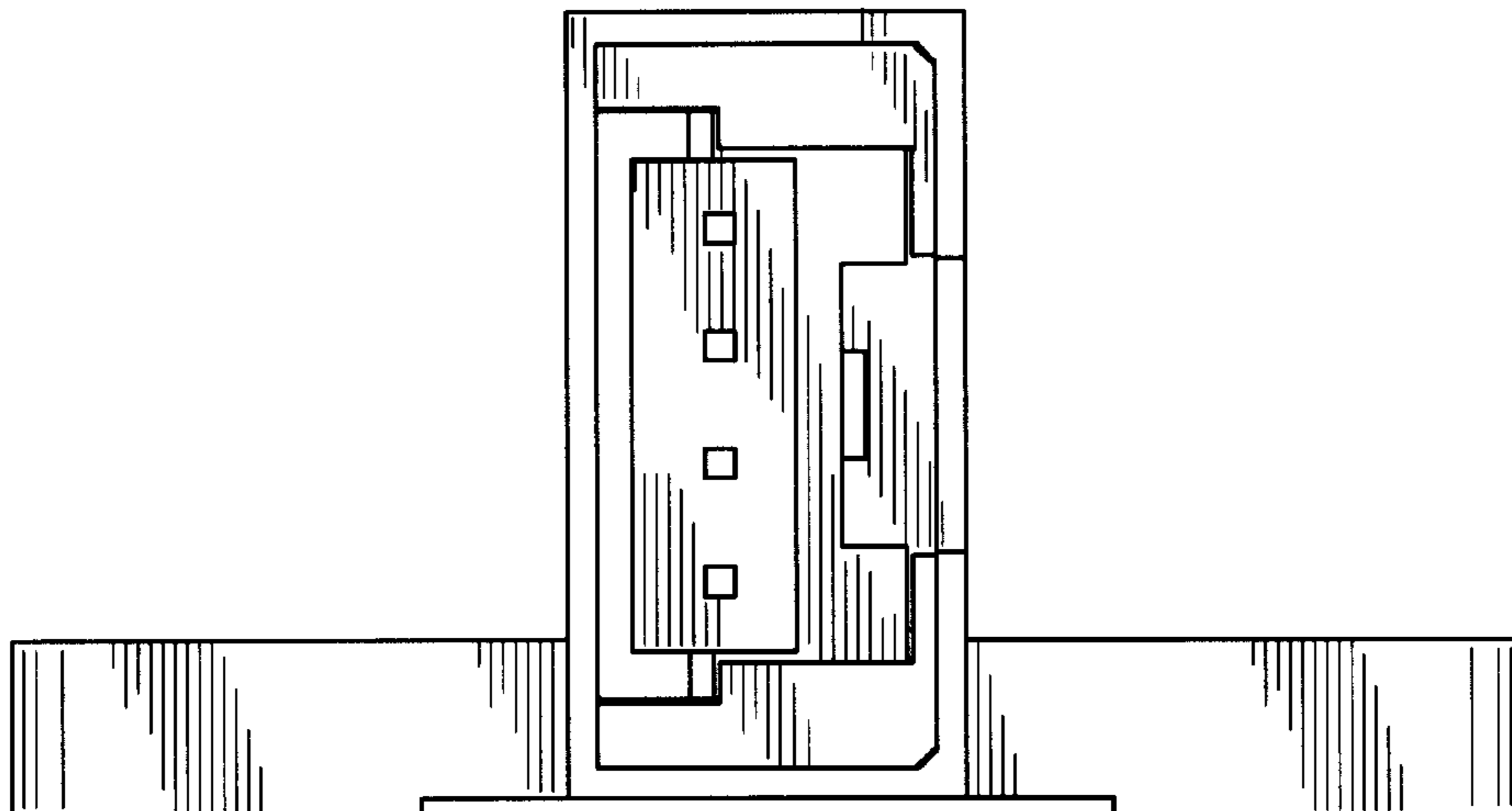
**FIG. 2**



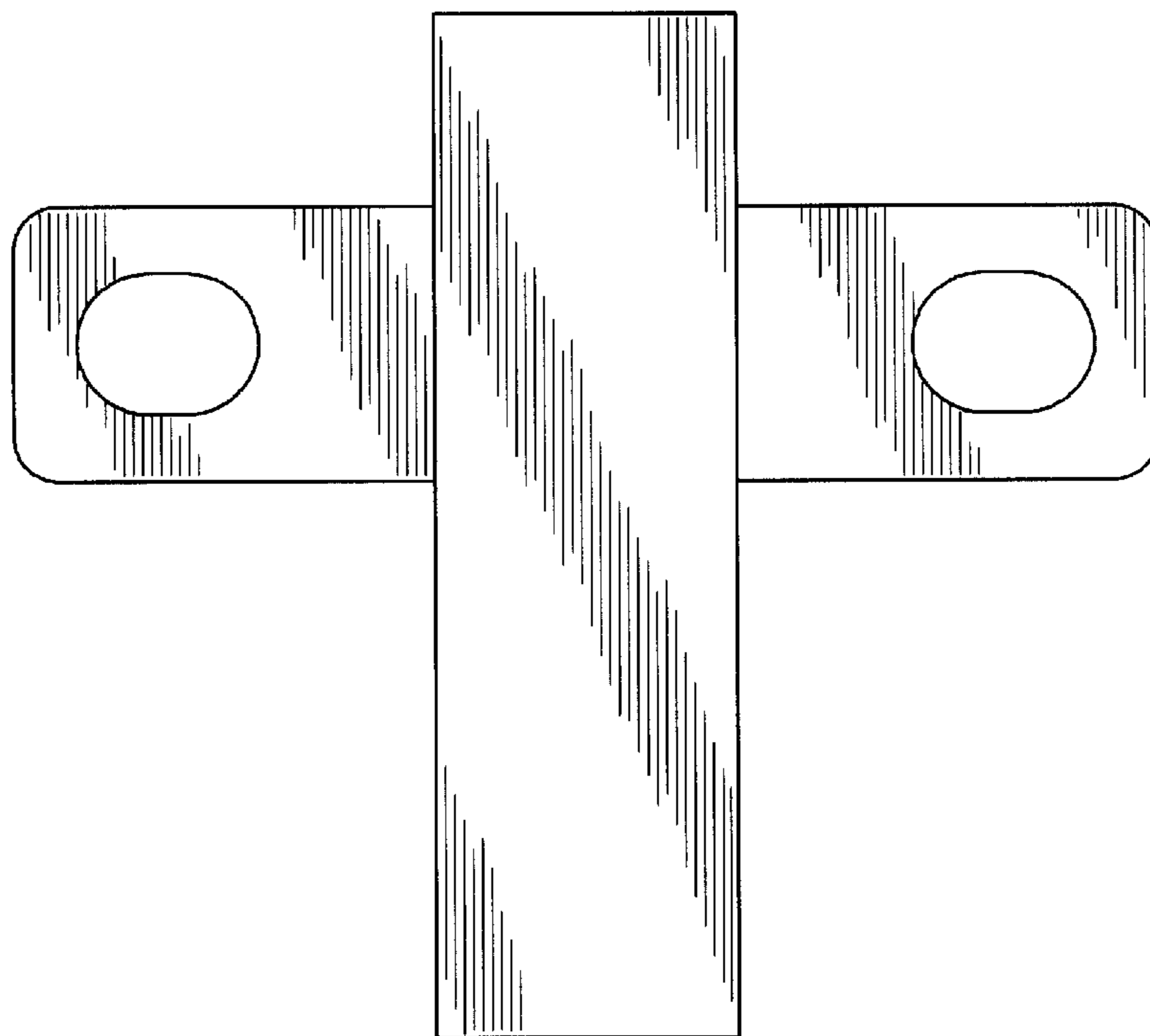
***FIG. 3***



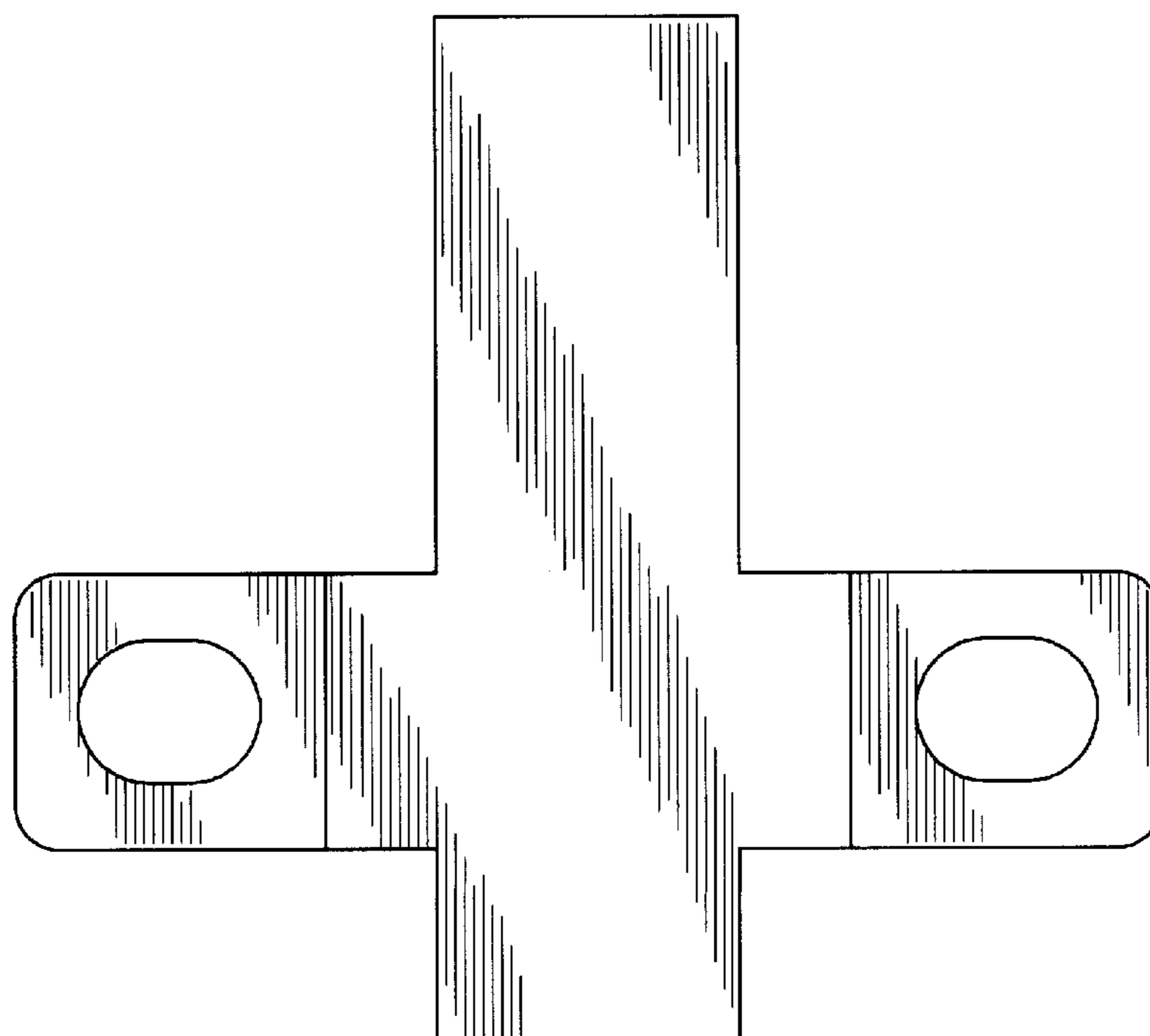
***FIG. 4***



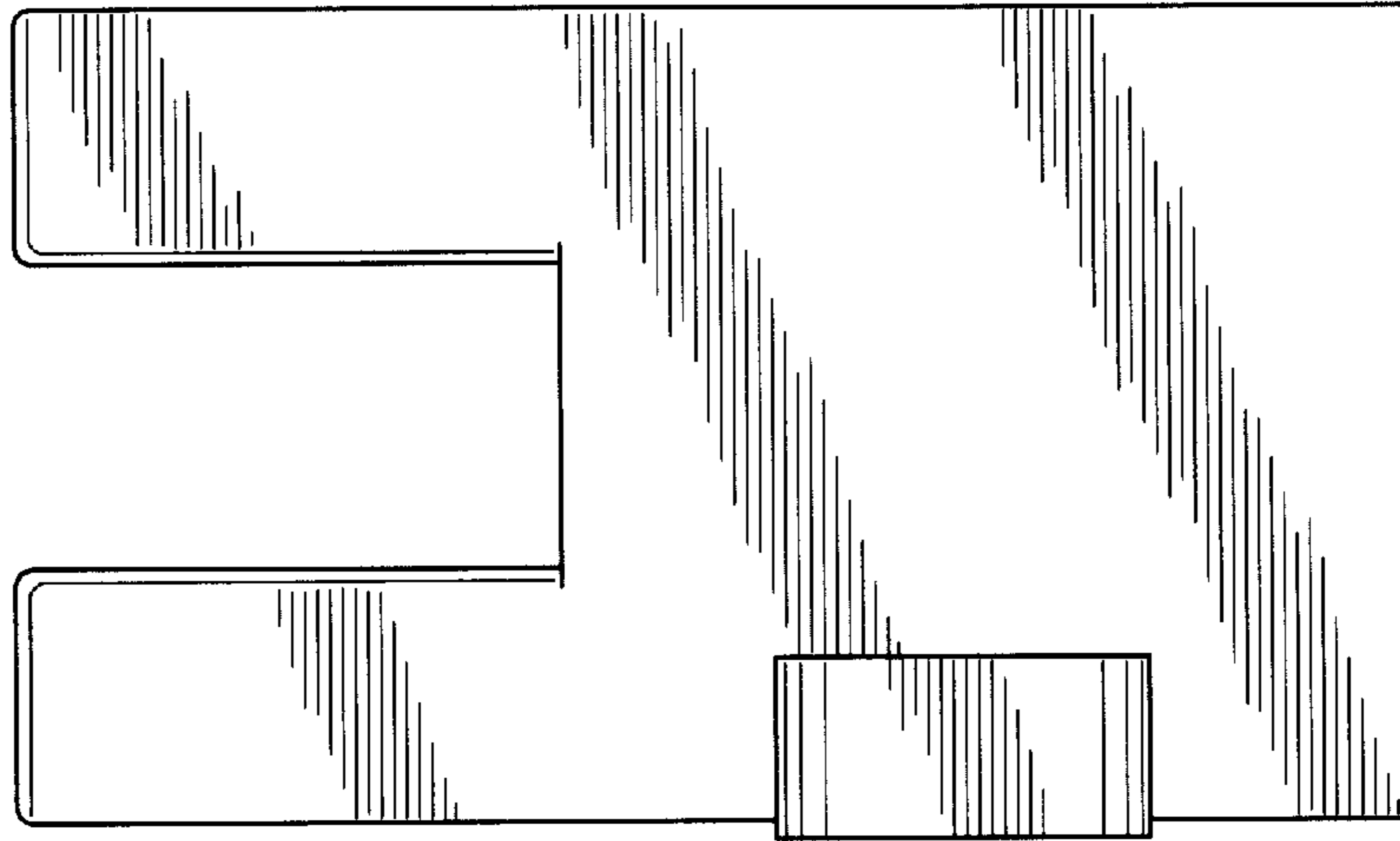
**FIG. 5**



**FIG. 6**



***FIG. 7***



***FIG. 8***

