



US00D543884S

(12) **United States Design Patent**  
**Schrick**

(10) **Patent No.:** **US D543,884 S**

(45) **Date of Patent:** **\*\* Jun. 5, 2007**

(54) **ANIMAL TRAINING ELECTRODE**

(75) **Inventor:** **Steven M. Schrick**, Knoxville, TN (US)

(73) **Assignee:** **Radio Systems Corporation**, Knoxville, TN (US)

(\*\*) **Term:** **14 Years**

(21) **Appl. No.:** **29/229,507**

(22) **Filed:** **May 9, 2005**

(51) **LOC (8) Cl.** ..... **10-05**

(52) **U.S. Cl.** ..... **D10/104**

(58) **Field of Classification Search** ..... D10/104-121, D10/78, 75; D30/151, 152, 199; 340/129  
See application file for complete search history.

(56) **References Cited**

**U.S. PATENT DOCUMENTS**

D344,902 S \* 3/1994 North et al. .... D10/78  
D380,692 S \* 7/1997 Heun ..... D10/104

D439,538 S \* 3/2001 Lynch ..... D10/106  
D445,352 S \* 7/2001 So ..... D10/104  
D453,484 S \* 2/2002 Christianson ..... D10/104

\* cited by examiner

*Primary Examiner*—Cathron C. Brooks

*Assistant Examiner*—George D. Kirschbaum

(74) *Attorney, Agent, or Firm*—Pitts & Brittan, PC

(57) **CLAIM**

The ornamental design for an animal training electrode, as shown and described.

**DESCRIPTION**

FIG. 1 is a perspective view of an animal training electrode of the present invention;

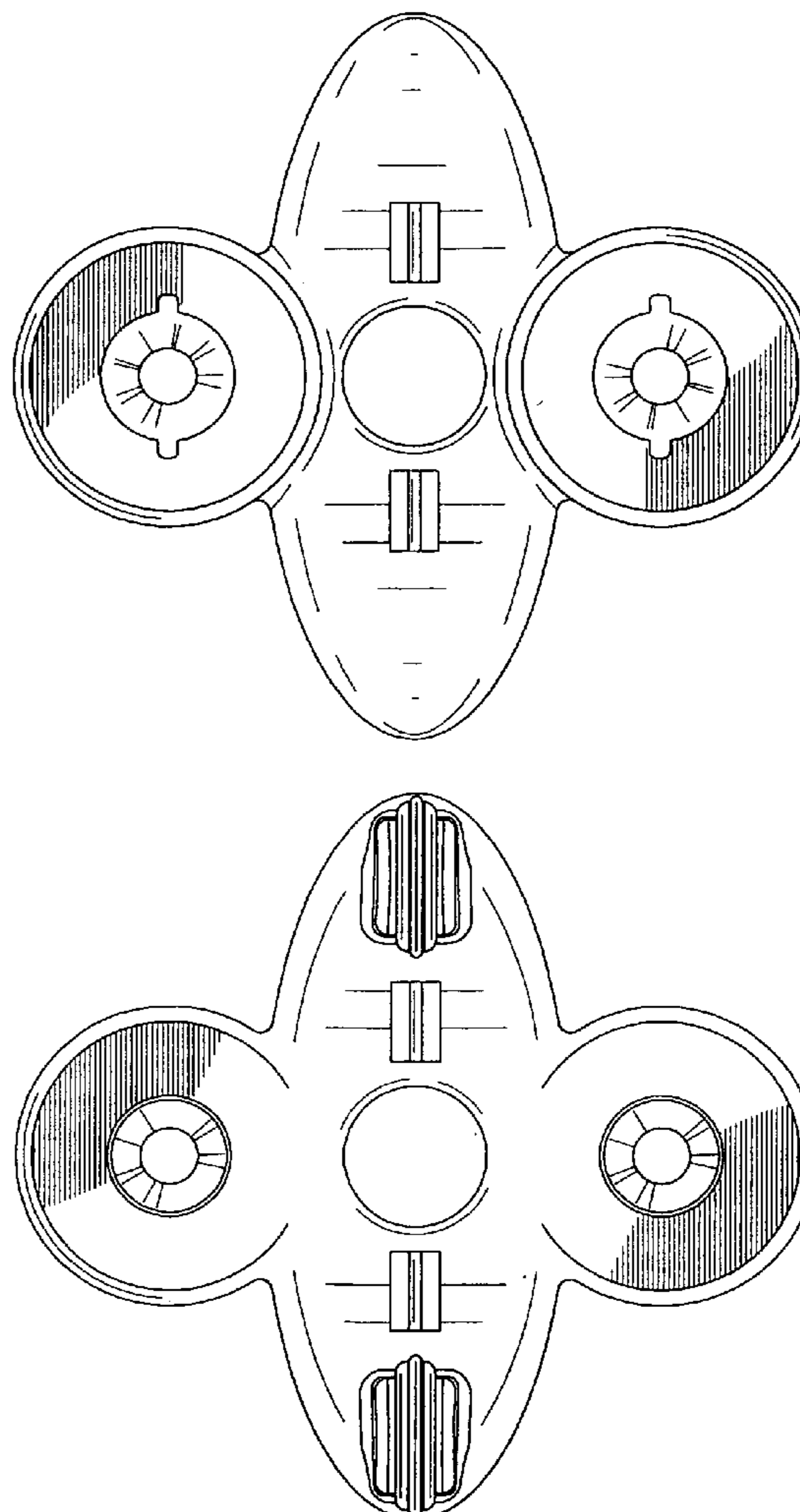
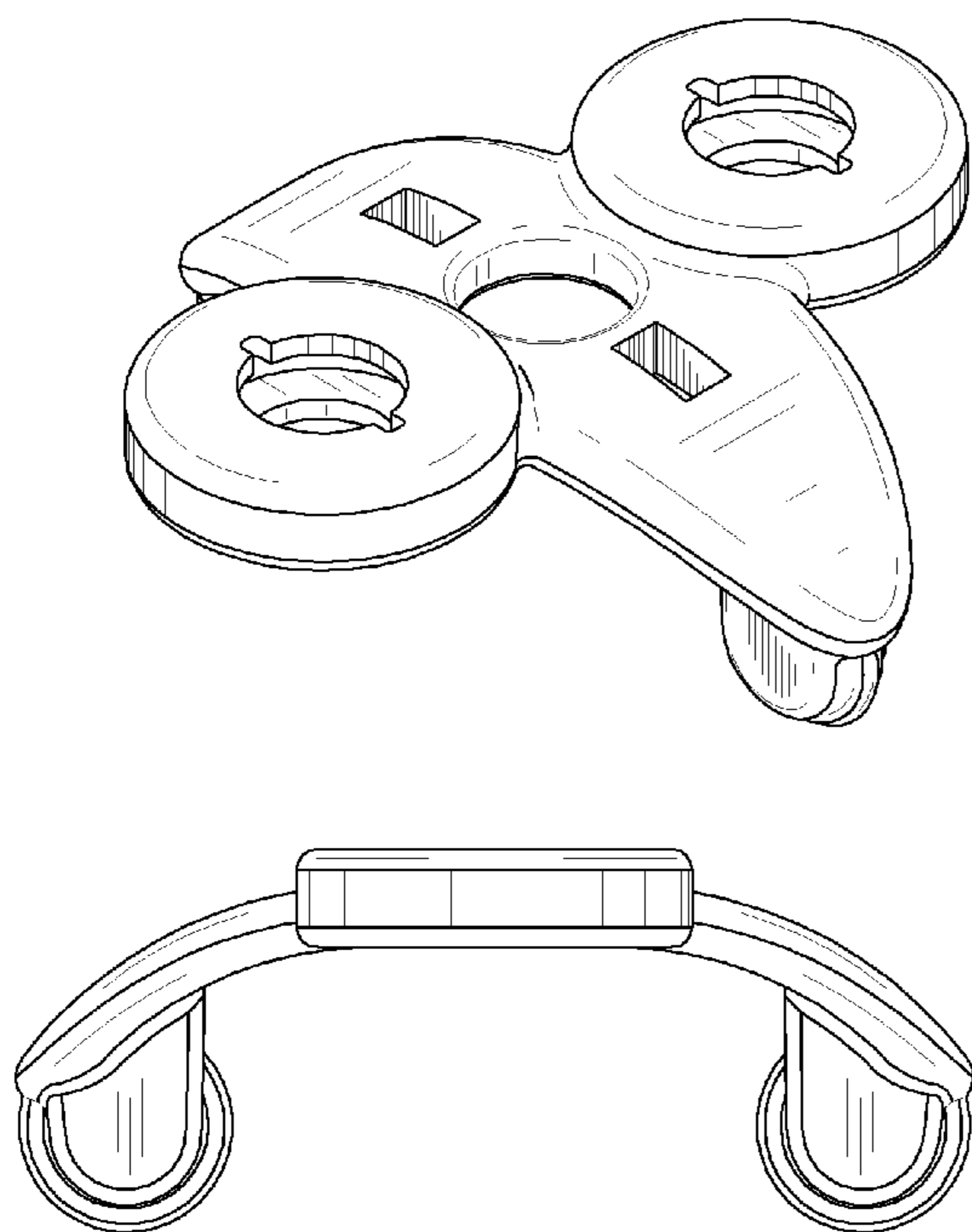
FIG. 2 is a front elevation view thereof;

FIG. 3 is a rear elevation view thereof;

FIG. 4 is top plan elevation view thereof; and,

FIG. 5 is a bottom plan view, thereof.

**1 Claim, 2 Drawing Sheets**



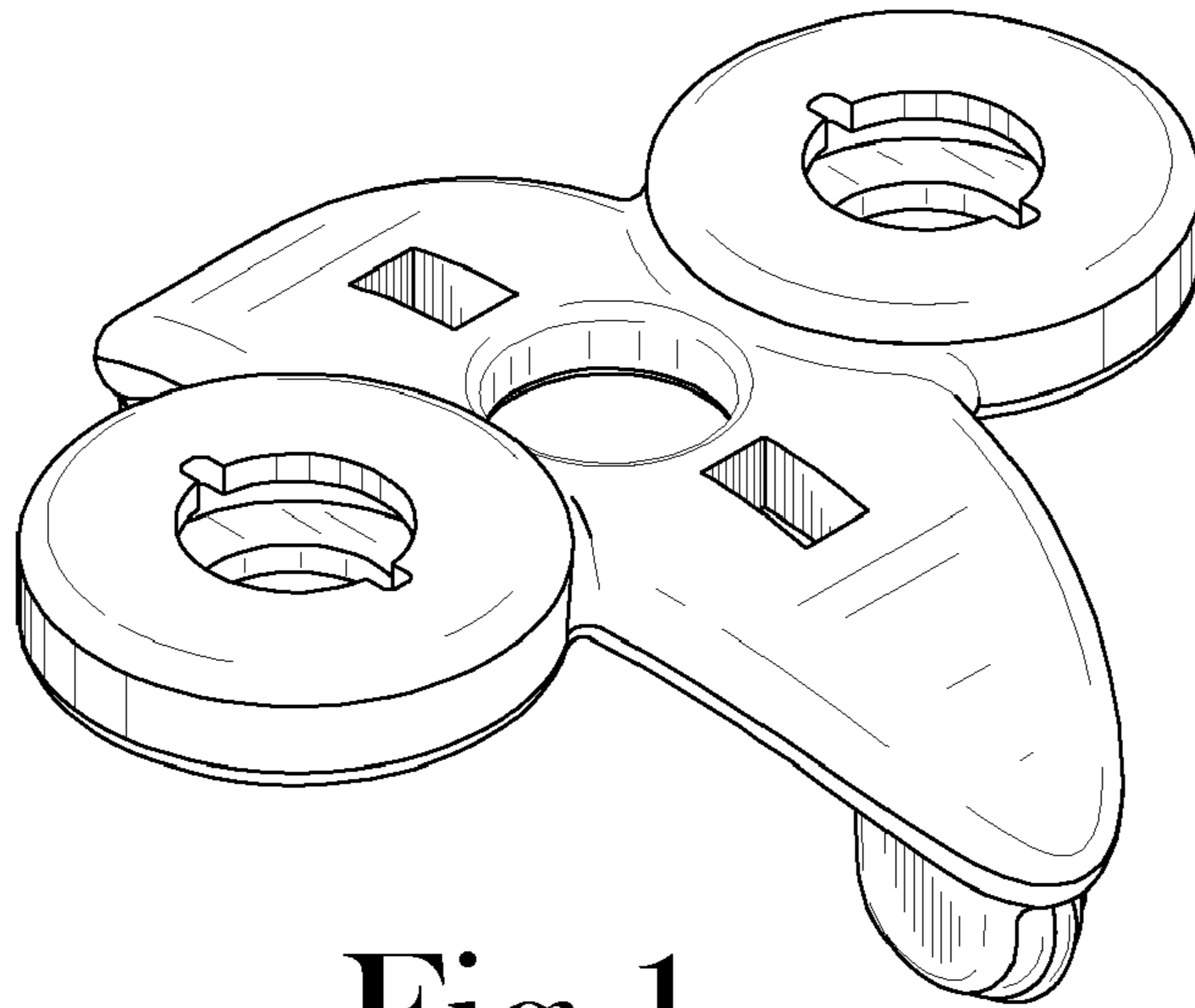


Fig. 1

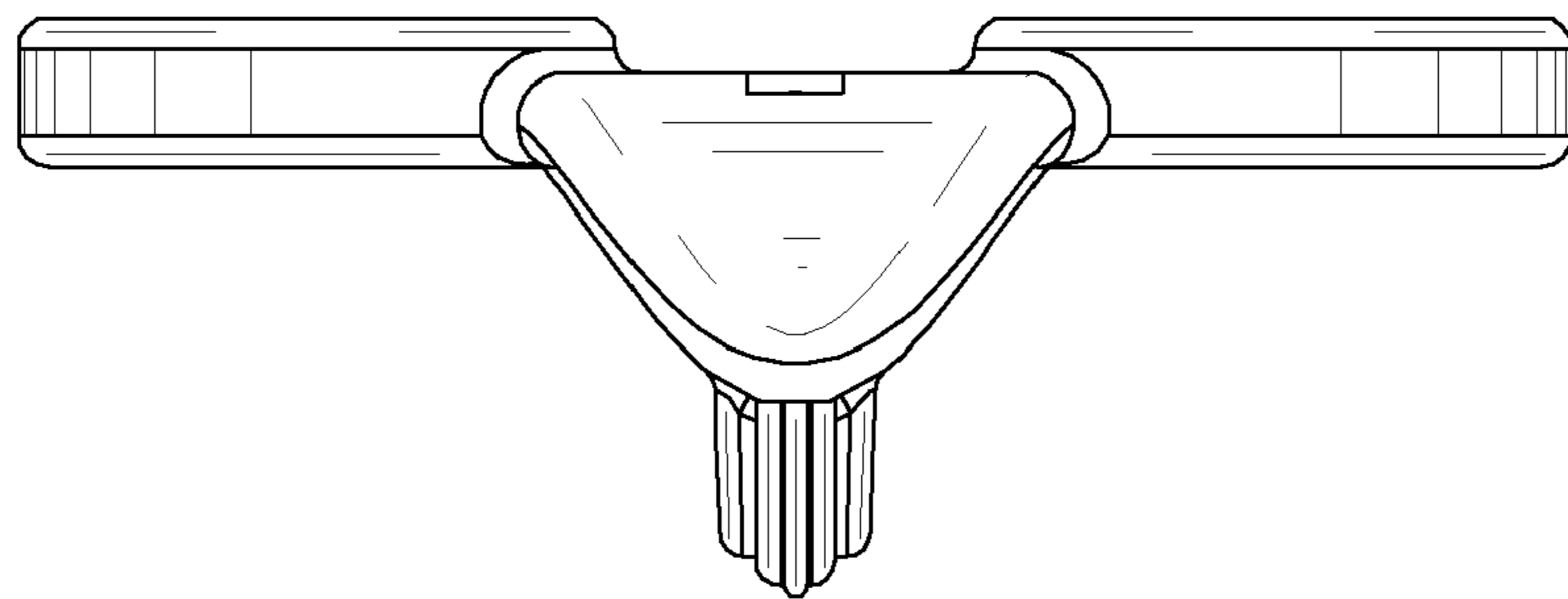


Fig. 2

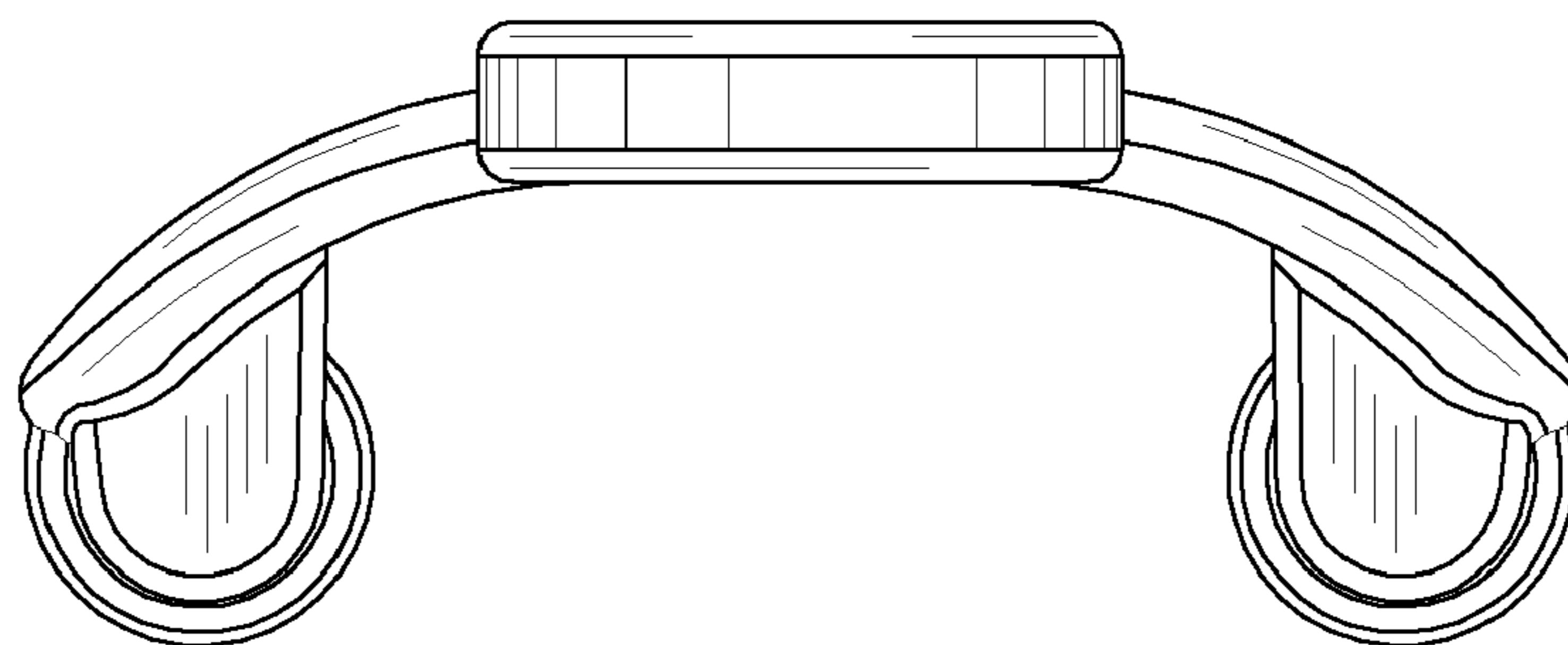


Fig. 3

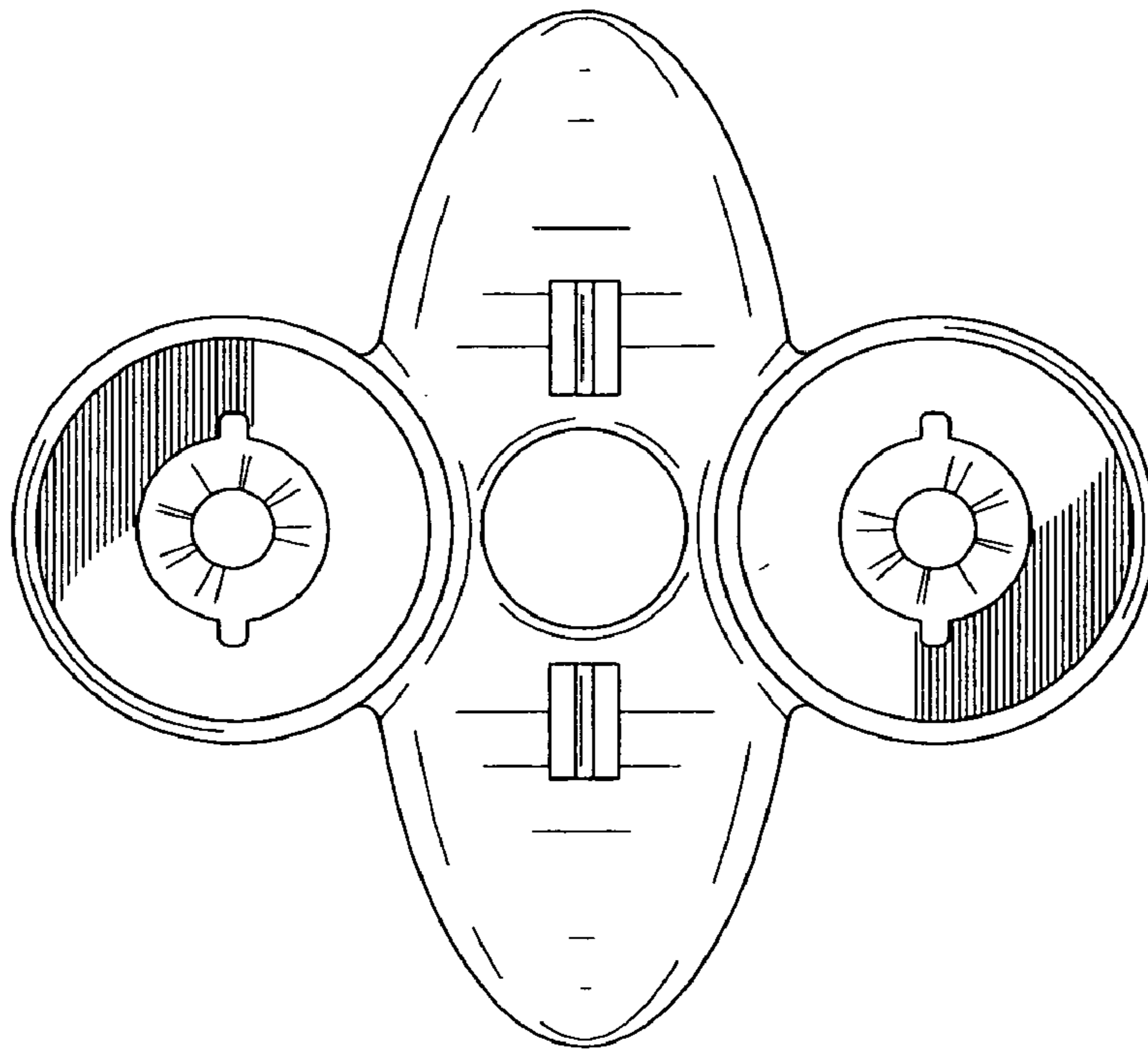


Fig. 4

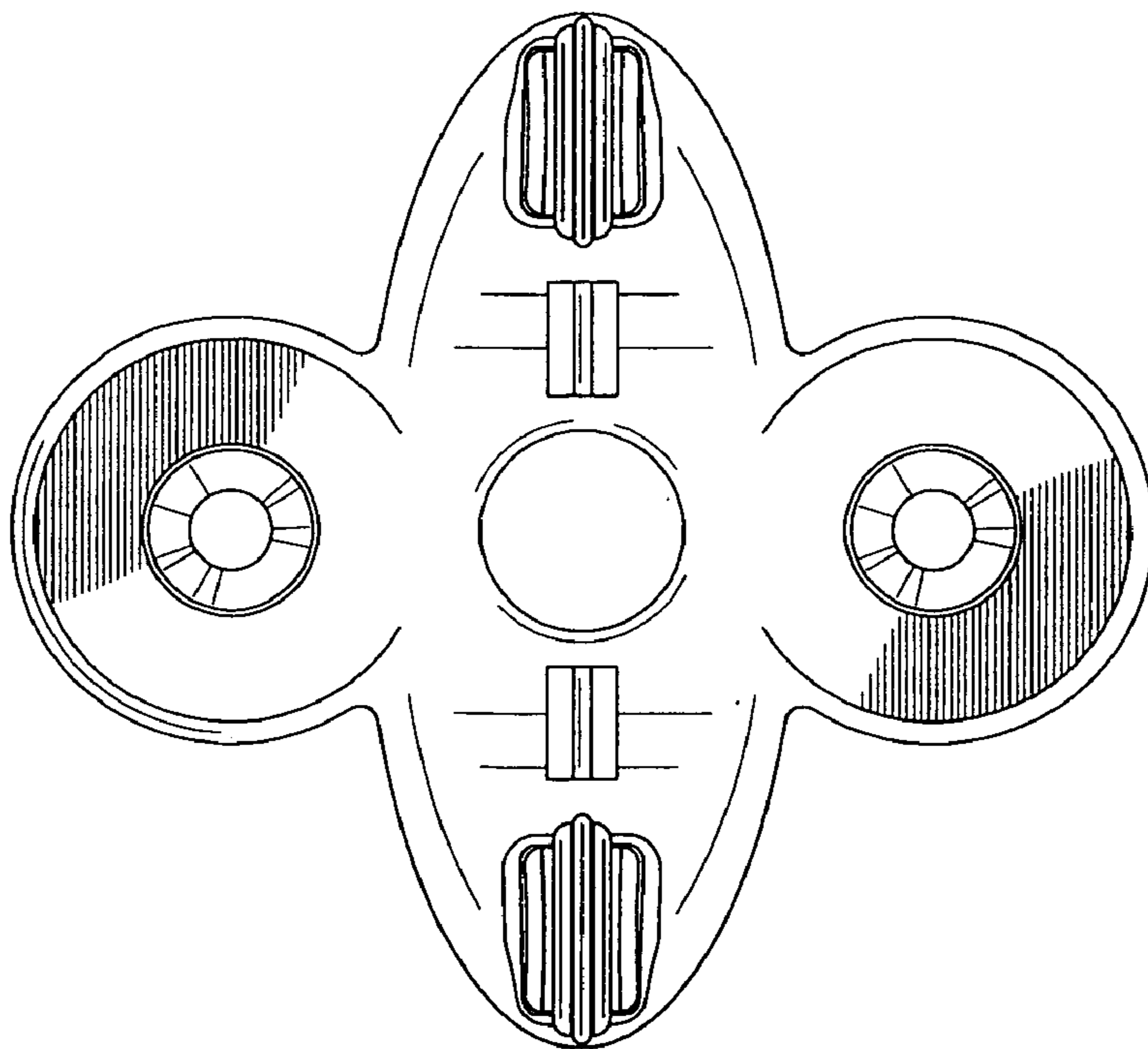


Fig. 5