



US00D543877S

(12) **United States Design Patent**
Bhavnani

(10) **Patent No.:** **US D543,877 S**

(45) **Date of Patent:** **** Jun. 5, 2007**

(54) **PEDOMETER**

D528,025 S * 9/2006 Tien D10/70
D528,445 S * 9/2006 Au Yeung D10/70

(75) Inventor: **Dilip Bhavnani**, Beverly Hills, CA
(US)

OTHER PUBLICATIONS

(73) Assignee: **Sun Coast Merchandise Corp.**,
Commerce, CA (US)

U.S. Appl. No. 11/008,304, Dilip Bhavnani.
U.S. Appl. No. 29/245,176, Dilip Bhavnani.

(**) Term: **14 Years**

* cited by examiner

(21) Appl. No.: **29/247,755**

Primary Examiner—Antoine D. Davis

Assistant Examiner—Patricia Palasik

(22) Filed: **Jul. 10, 2006**

(74) *Attorney, Agent, or Firm*—The Soni Law Firm

(51) **LOC (8) Cl.** **10-04**

(52) **U.S. Cl.** **D10/70**

(58) **Field of Classification Search** D10/70,
D10/97, 98; 235/95 C, 105; 377/5, 24.2,
377/26; 702/144, 160, 176

See application file for complete search history.

(57) **CLAIM**

The ornamental design for a pedometer, as shown and described.

(56) **References Cited**

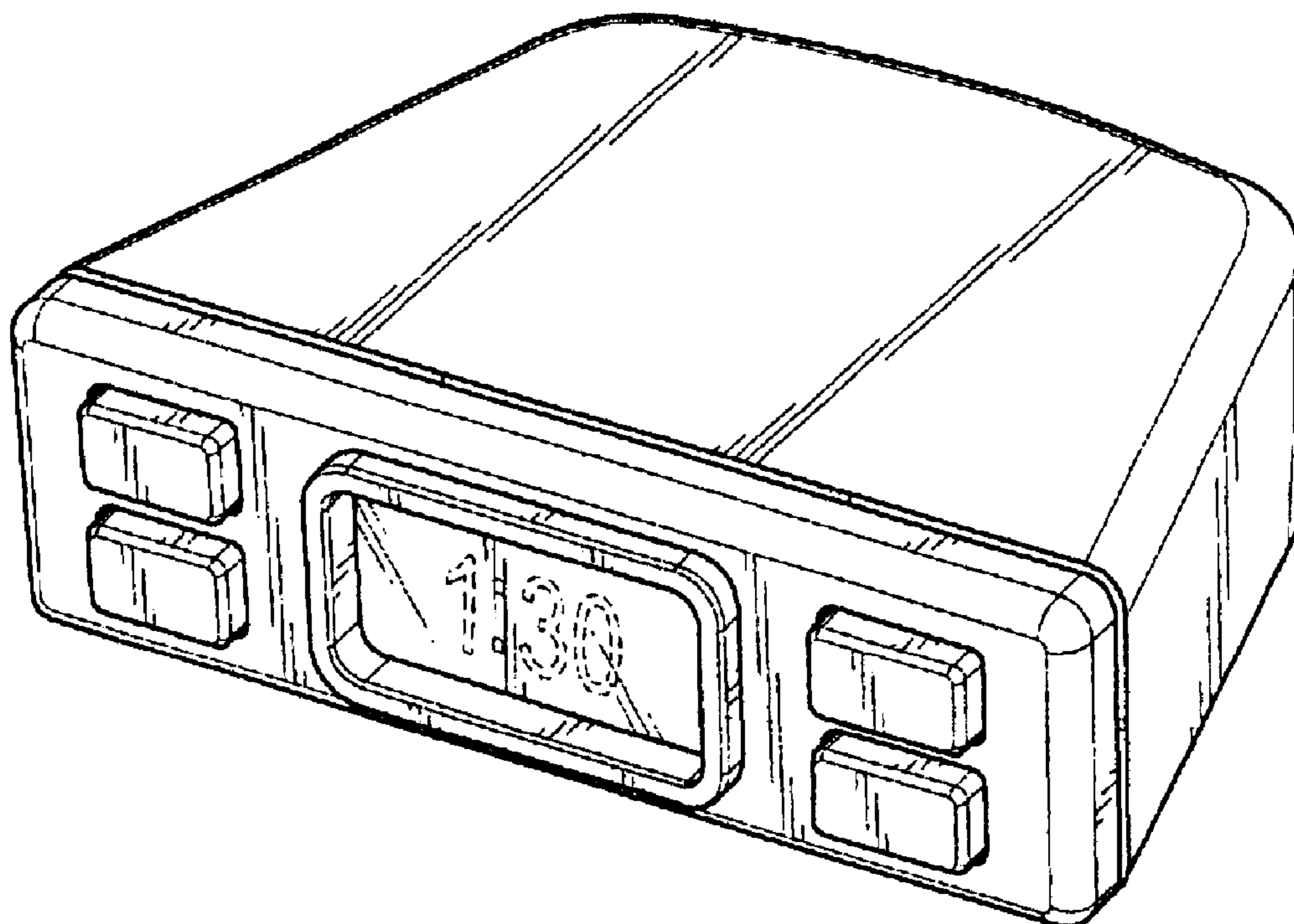
U.S. PATENT DOCUMENTS

4,741,001 A * 4/1988 Ma 377/24.2
D303,094 S * 8/1989 Ling D10/70
D312,046 S * 11/1990 Ruehlemann D10/70
D375,695 S * 11/1996 Narai D10/97
D494,484 S 8/2004 Bhavnani
D502,693 S * 3/2005 Chen D14/171
6,961,401 B1 * 11/2005 Nally et al. 377/24.2

DESCRIPTION

FIG. 1 is a front side top perspective view of my new design, FIG. 2 is a front elevational perspective view thereof; FIG. 3 is a top plan view thereof; FIG. 4 is a side elevational view thereof; FIG. 5 is a bottom plan view thereof; and, FIG. 6 is a back elevational view thereof; The broken line showing of numbers is included for the purpose of illustrating portions of the “article” and forms no part of the claimed design.

1 Claim, 2 Drawing Sheets



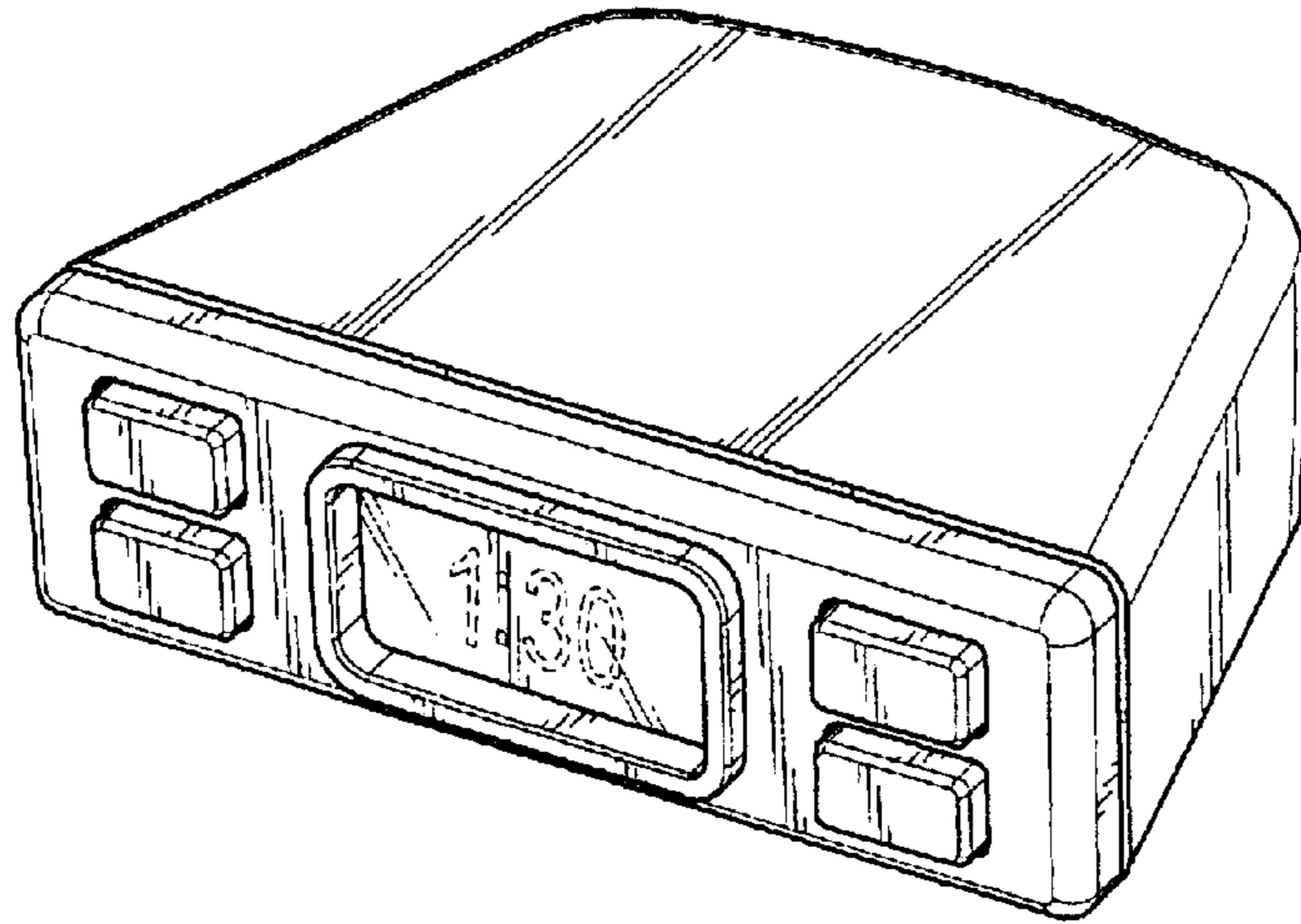


FIG. 1

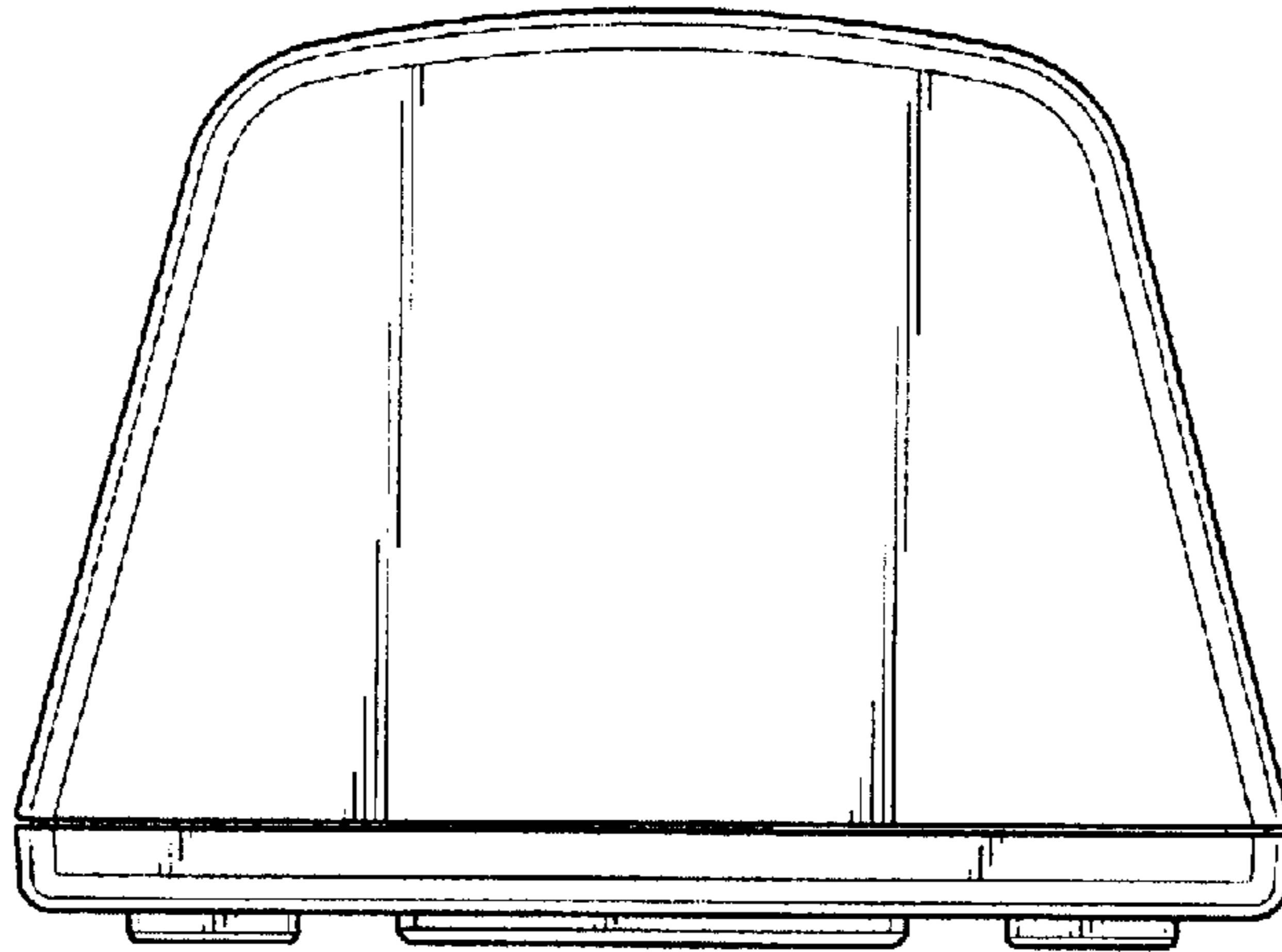


FIG. 2

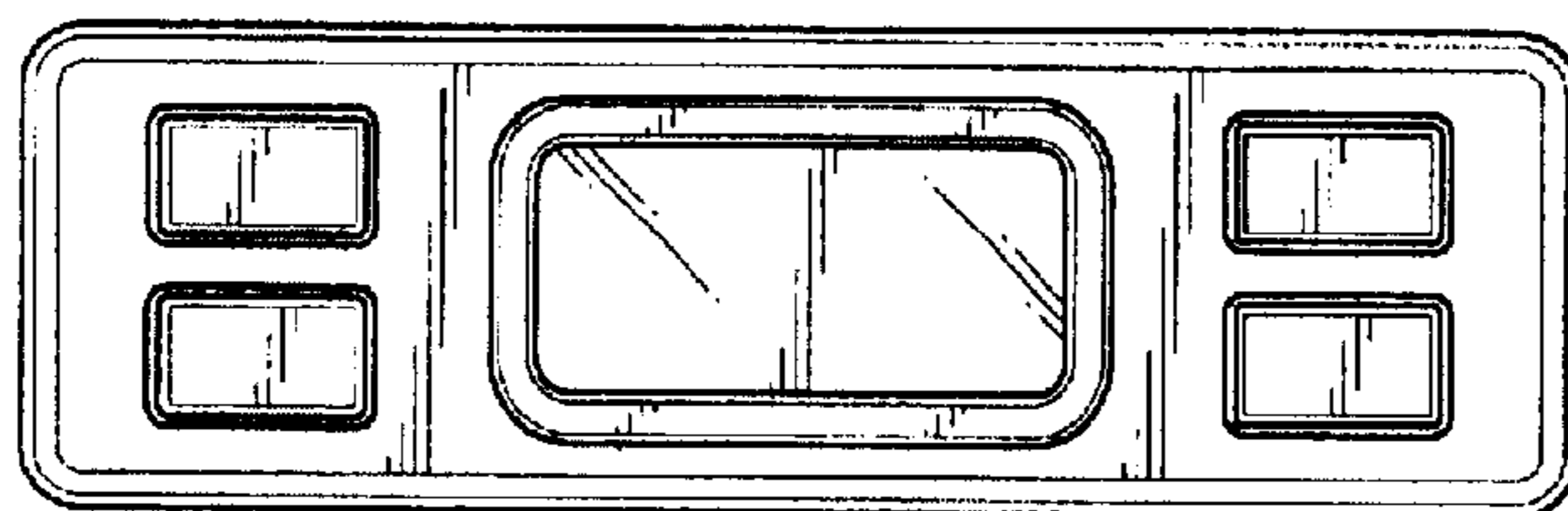


FIG. 3

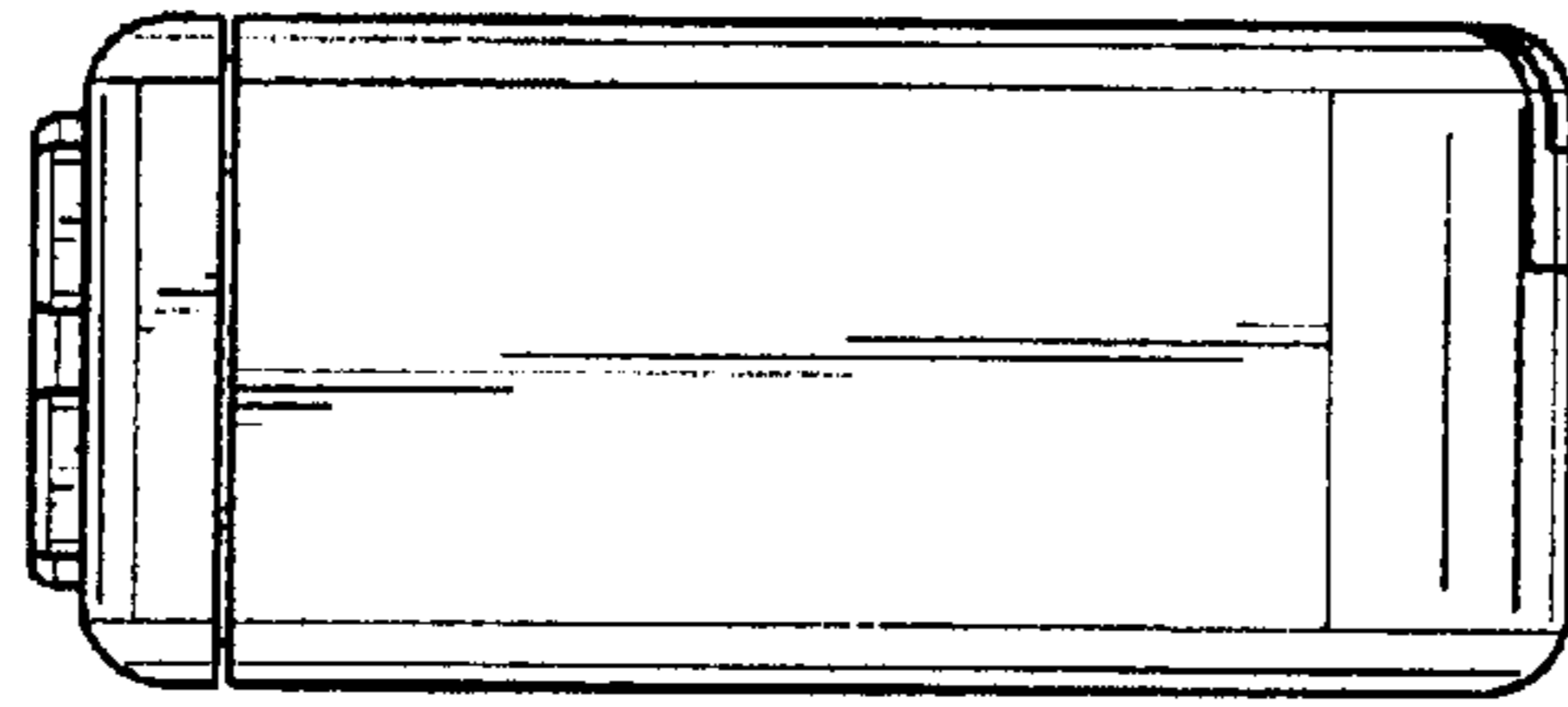


FIG. 4

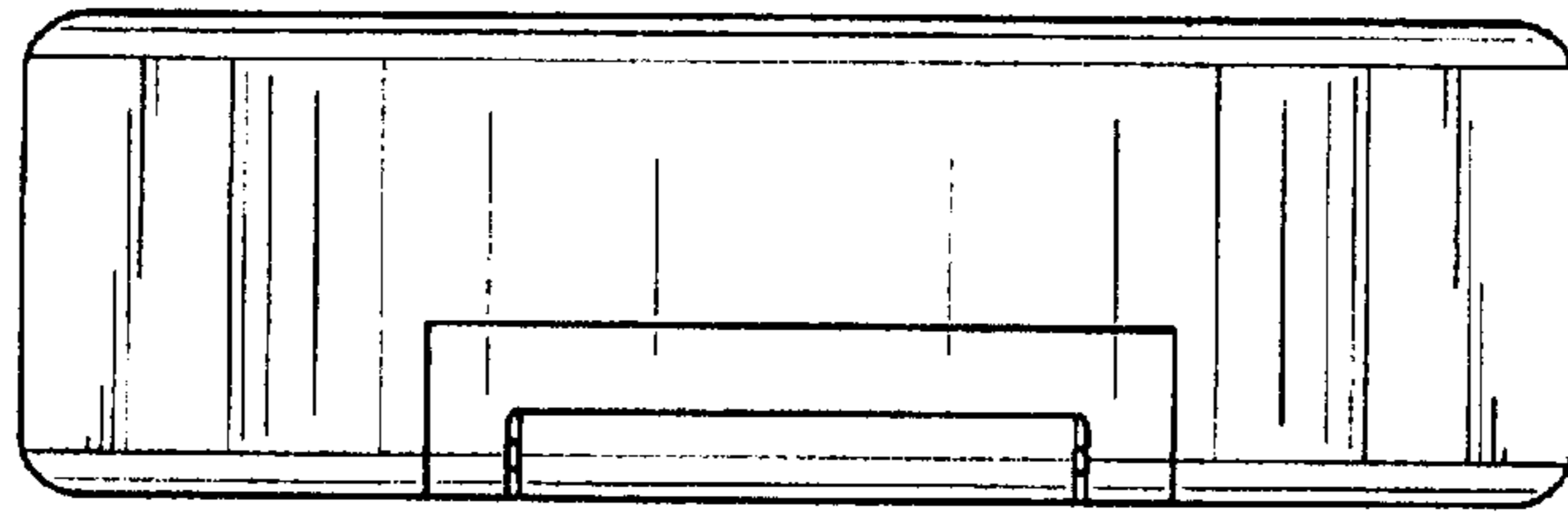


FIG. 5

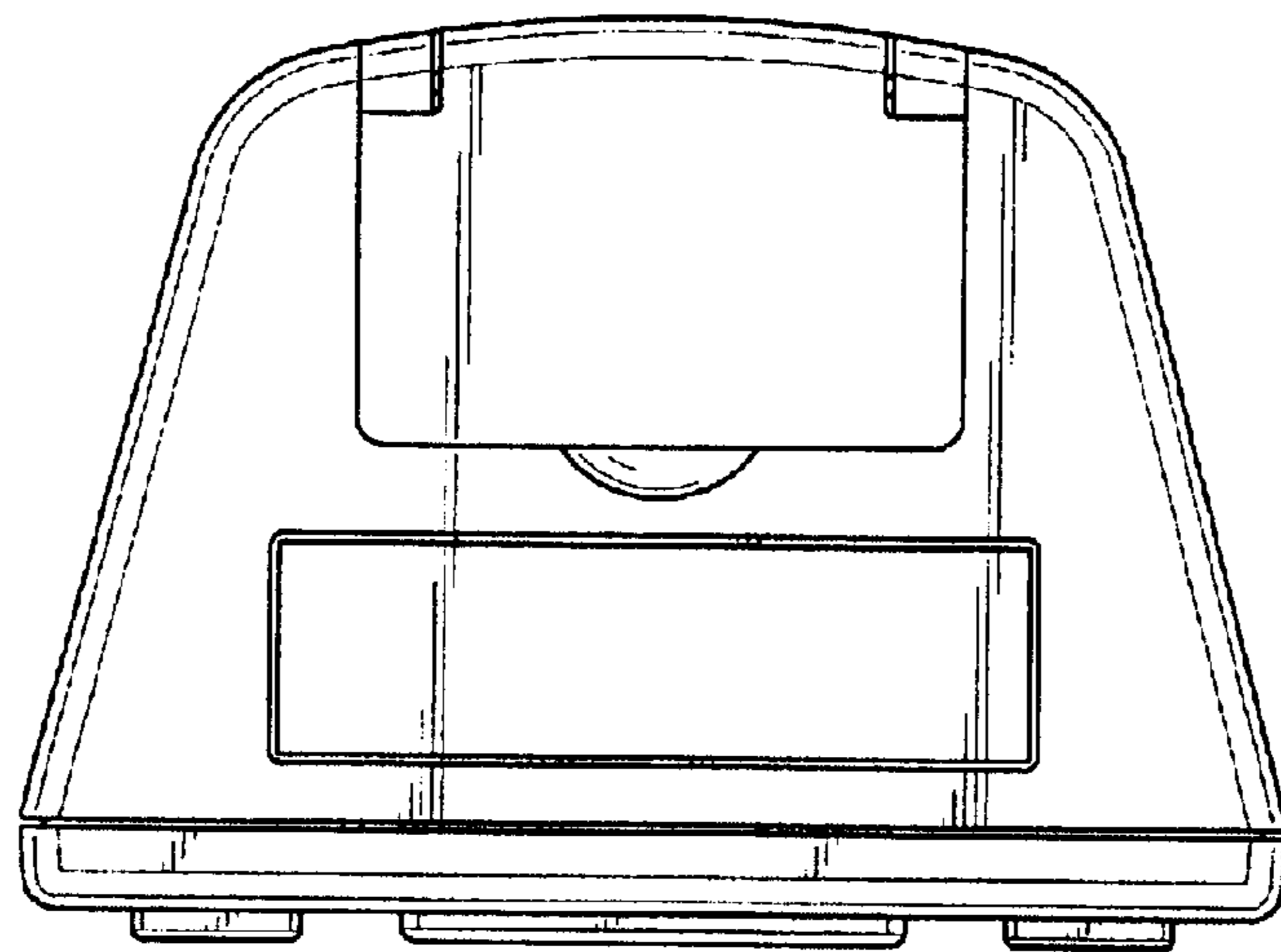


FIG. 6