

US00D543875S

(12) **United States Design Patent** (10) **Patent No.:** **US D543,875 S**  
**Skelton et al.** (45) **Date of Patent:** **\*\* Jun. 5, 2007**

(54) **NAVIGATION DEVICE**

(75) Inventors: **Paul E. Skelton**, Lenexa, KS (US);  
**Dale R. Langner**, Louisburg, KS (US);  
**Jonathan C. Burrell**, Olathe, KS (US);  
**Joshua C. Reeson**, Olathe, KS (US)

(73) Assignee: **Garmin Ltd.** (KY)

(\*\*) Term: **14 Years**

(21) Appl. No.: **29/247,113**

(22) Filed: **May 31, 2006**

**Related U.S. Application Data**

(63) Continuation of application No. 29/240,192, filed on Oct. 11, 2005, now Pat. No. Des. 540,703.

(51) **LOC (8) Cl.** ..... **10-04**

(52) **U.S. Cl.** ..... **D10/65**

(58) **Field of Classification Search** ..... D10/65,  
D10/80; D14/347; 342/351, 419, 457, 357.06–357.13;  
343/702; 345/87, 104, 133, 156, 168, 173,  
345/901–905; 348/180, 184, 315, 739; 364/444,  
364/499; 701/206–209, 213, 214  
See application file for complete search history.

(56) **References Cited**

**U.S. PATENT DOCUMENTS**

D365,292 S	12/1995	Laverick et al.	.....	D10/78
5,665,000 A	9/1997	Burrell et al.	.....	463/46
D409,927 S	5/1999	Weigers et al.	.....	D10/65
5,910,882 A	6/1999	Burrell	.....	361/681
5,951,399 A	9/1999	Burrell et al.	.....	463/46
D426,481 S	6/2000	Laverick	.....	D10/103
D427,919 S	7/2000	Laverisk et al.	.....	D10/65
D429,173 S	8/2000	Laverick et al.	.....	D10/80
D440,505 S	4/2001	Laverick	.....	D10/65
6,330,149 B1	12/2001	Burrell	.....	361/683
D453,300 S	2/2002	Schoenfish et al.	.....	D10/65
D453,481 S	2/2002	Schoenfish	.....	D10/74
D455,665 S	4/2002	Schoenfish et al.	.....	D10/74

(Continued)

**OTHER PUBLICATIONS**

Front view of TomTom's Go product available at [http://www.tomtom.com/lib/img/prodimages/Go\\_straight2\\_US.jpg](http://www.tomtom.com/lib/img/prodimages/Go_straight2_US.jpg).

Mounted view of TomTom's Go product available at [http://www.tomtom.com/lib/img/prodimages/GO\\_mount\\_US.jpg](http://www.tomtom.com/lib/img/prodimages/GO_mount_US.jpg).

Perspective view of TomTom's Go product available at [http://www.tomtom.com/lib/img/prodimages/go\\_05.jpg](http://www.tomtom.com/lib/img/prodimages/go_05.jpg).

Rear view of TomTom's Go product available at [http://www.tomtom.com/lib/img/prodimages/go\\_06.jpg](http://www.tomtom.com/lib/img/prodimages/go_06.jpg).

Datasheet on TomTom's Go Product available at [http://www.tomtom.com/lib/doc/DTP\\_factsheet\\_USA.pdf](http://www.tomtom.com/lib/doc/DTP_factsheet_USA.pdf).

Front view of Garmin's StreetPilot product available at [http://www.garmin.com/products/sp2620/gallery/pt-sp2620\\_Large01.jpg](http://www.garmin.com/products/sp2620/gallery/pt-sp2620_Large01.jpg).

Perspective view of Garmin's StreetPilot product available at <http://www.garmin.com/>.

Perspective view of Garmin's GPS V product available at <http://www.garmin.com/graphics/gpsVhpicBig.jpg>.

Datasheet on Garmin's Quest product, more images of which are available at <http://www.garmin.com>.

Garmin Forerunner 201 owner's Manual, April 2005.

*Primary Examiner*—Antoine D. Davis

(74) *Attorney, Agent, or Firm*—David L. Terrell

(57) **CLAIM**

The ornamental design for a navigation device, as shown and described.

**DESCRIPTION**

FIG. 1 is a front perspective view of a navigation device according to the present invention;

FIG. 2 is a front elevational view thereof;

FIG. 3 is a right side elevational view thereof;

FIG. 4 is a left side elevational view thereof;

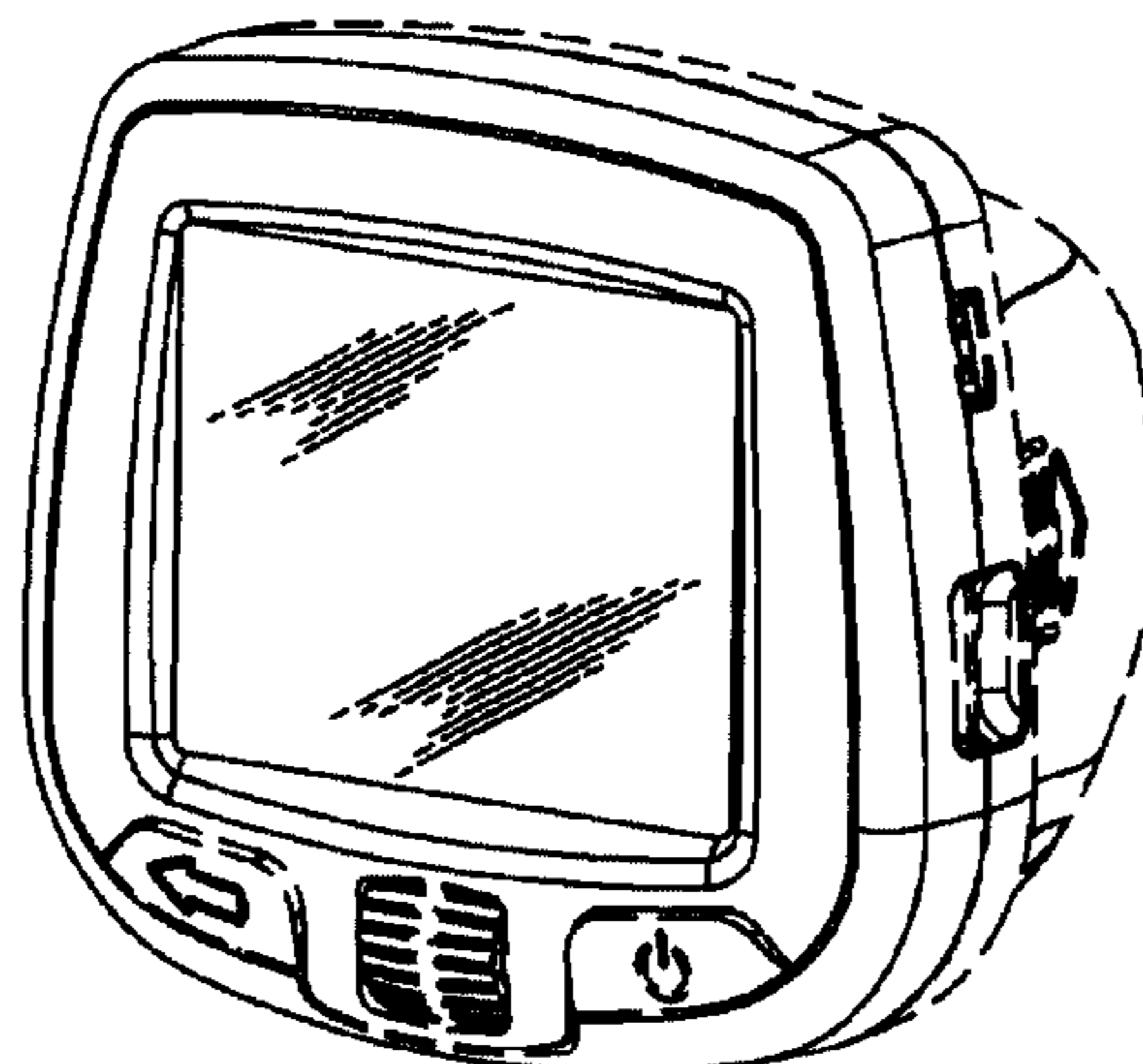
FIG. 5 is a rear elevational view thereof;

FIG. 6 is a top plan view thereof; and,

FIG. 7 is a bottom plan view thereof.

The broken line showing of a portion of the navigational device is included for the purpose of illustrating broken lines and forms no part of the claimed design.

**1 Claim, 3 Drawing Sheets**

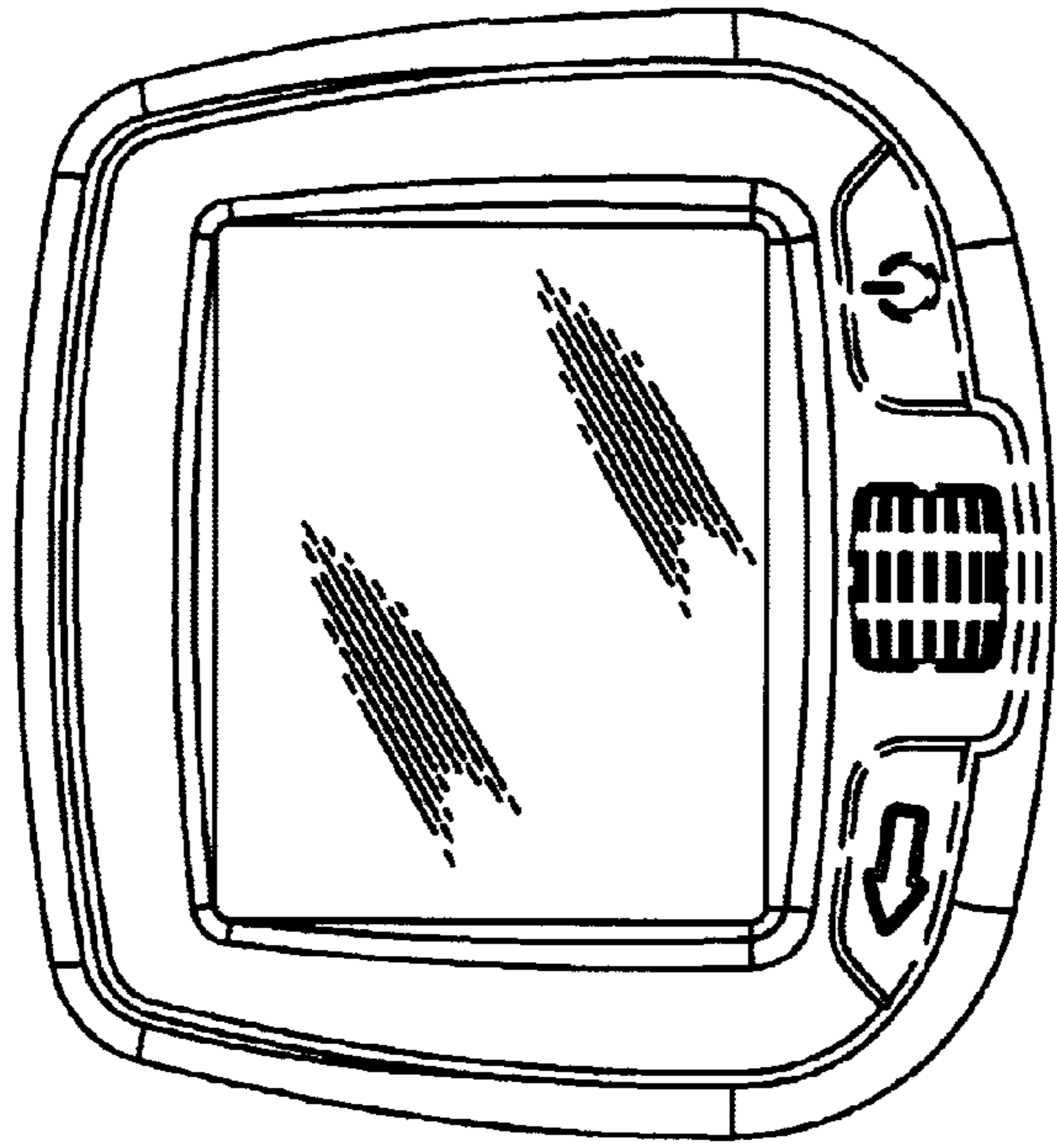


# US D543,875 S

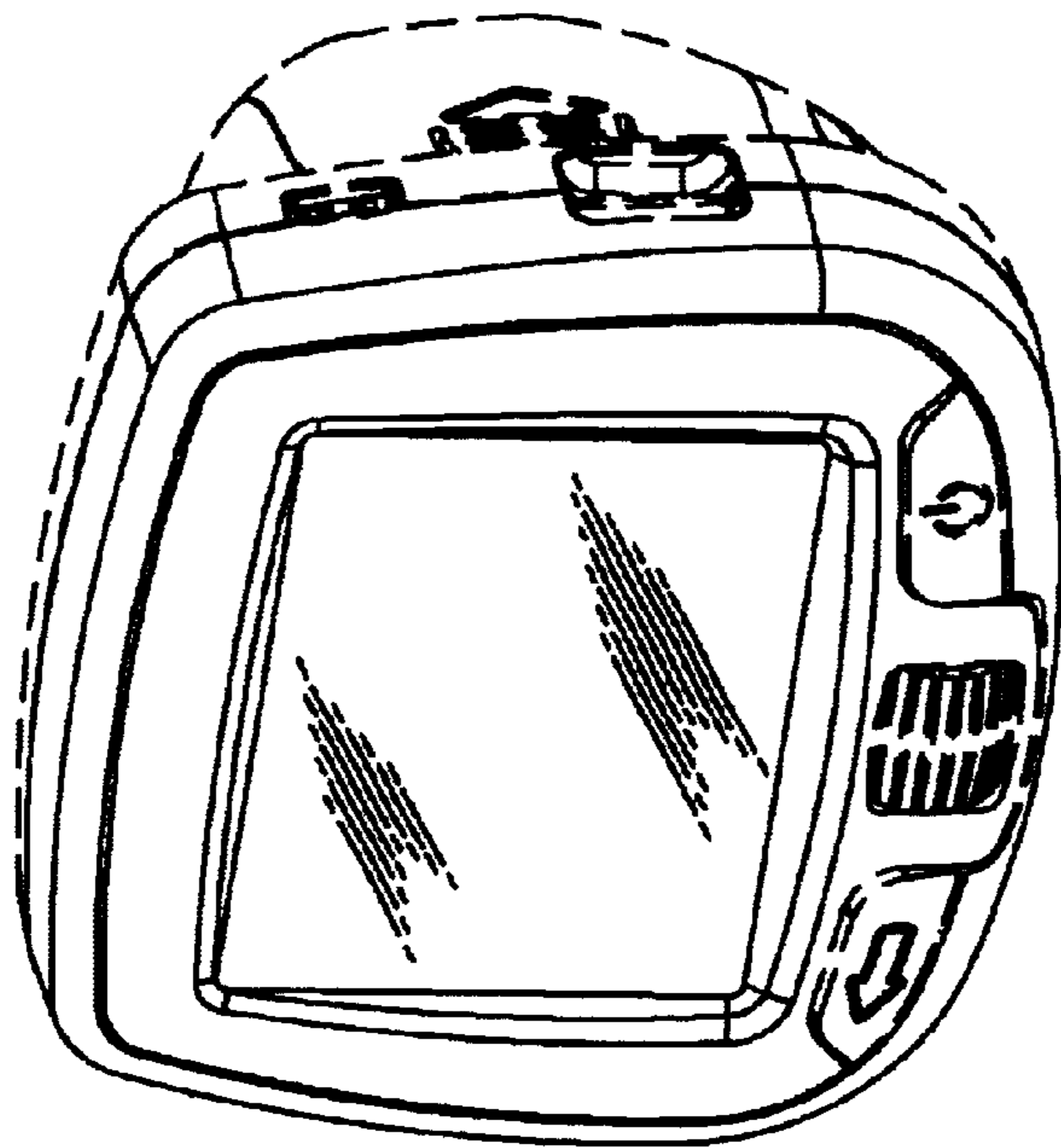
Page 2

---

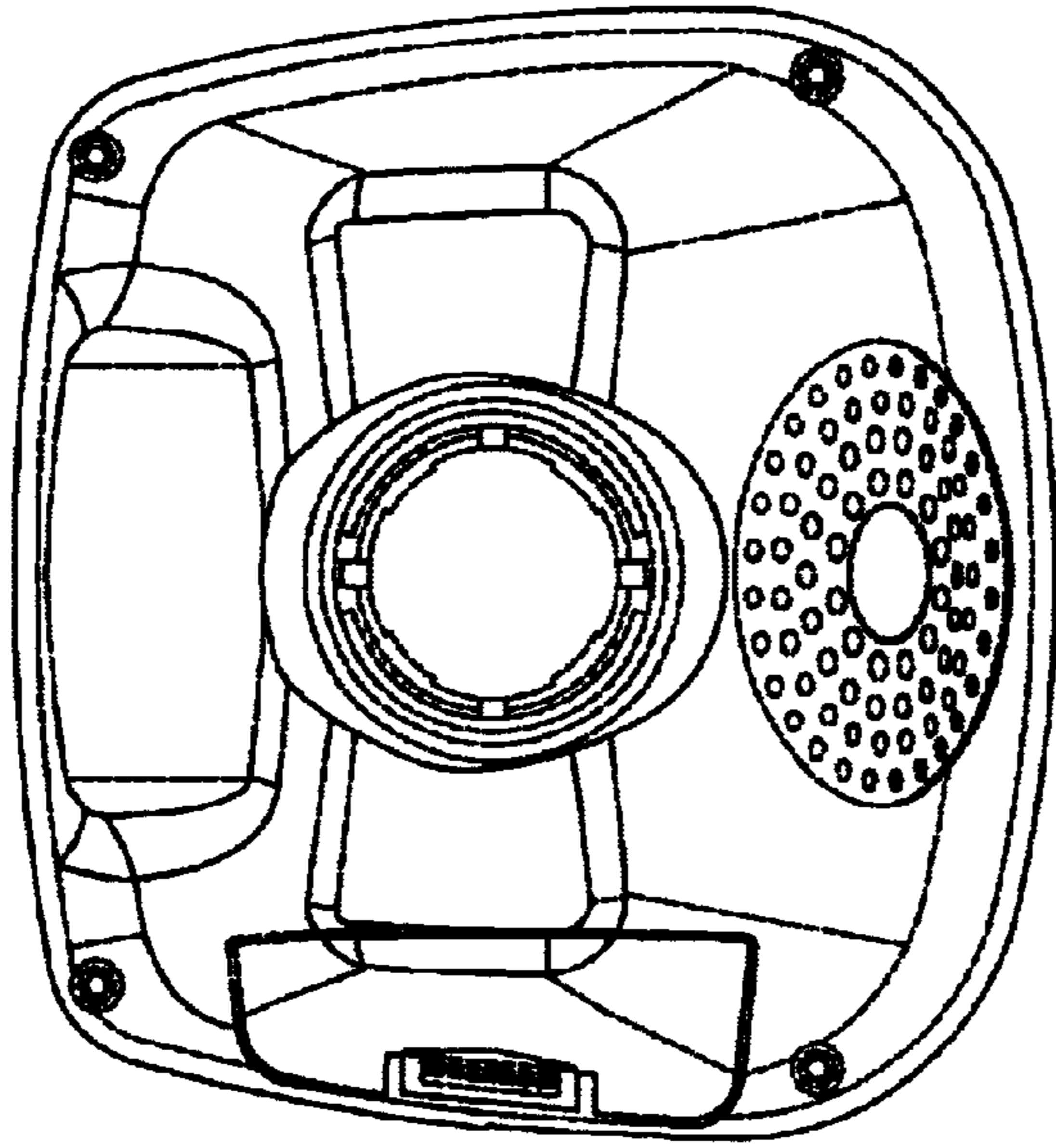
U.S. PATENT DOCUMENTS		
D456,289 S	4/2002	Laverick ..... D10/65
D456,794 S	5/2002	Laverisk et al. .... D14/138
D457,445 S	5/2002	Schoenfish ..... D10/65
D457,520 S	5/2002	Laverick et al. .... D14/247
D459,249 S	6/2002	Schoenfish et al. .... D10/65
D470,781 S	2/2003	Schoenfish et al. .... D10/74
6,545,637 B1	4/2003	Kurll et al. .... 342/357.09
D474,478 S	5/2003	Laverick et al. .... D14/456
D477,597 S	6/2003	Laverick et al. .... D14/348
D486,083 S	2/2004	Laverick et al. .... D10/65
D487,705 S	3/2004	Schoenfish ..... D10/74
D494,486 S	8/2004	Laverick et al. .... D10/74
D509,760 S	9/2005	Burrell et al. .... D10/65
D510,285 S	10/2005	Skelton et al. .... D10/65



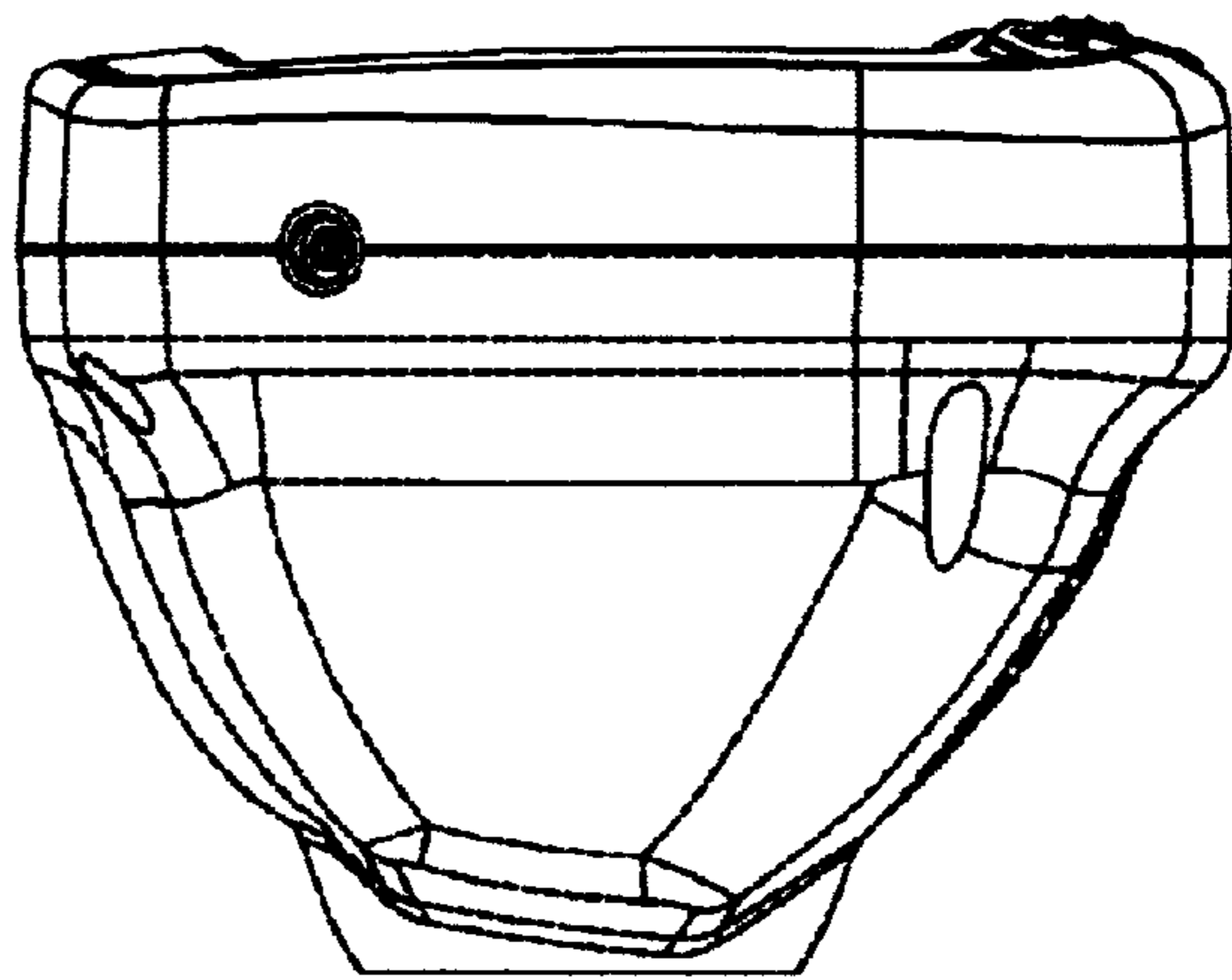
*Fig. 2.*



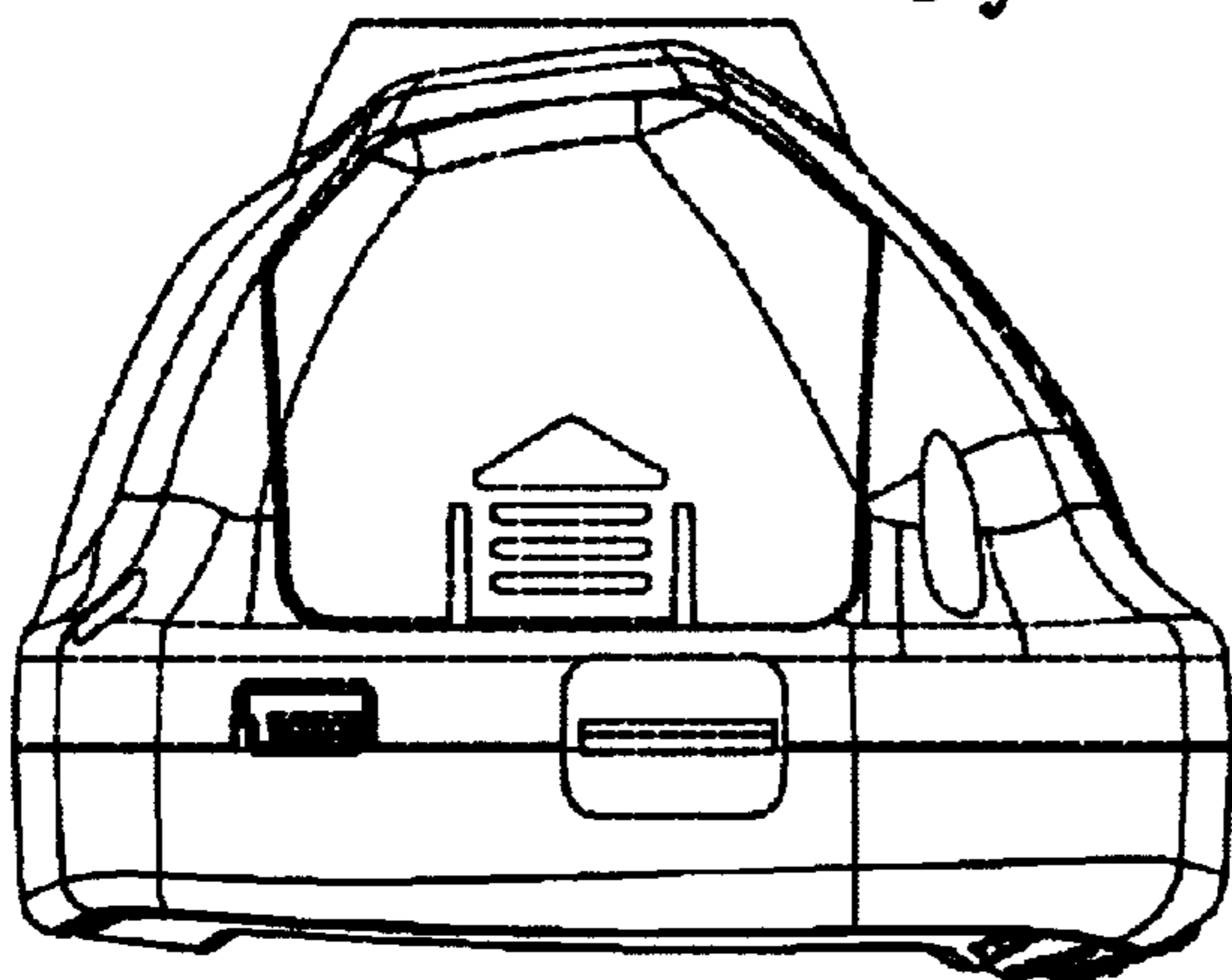
*Fig. 1.*



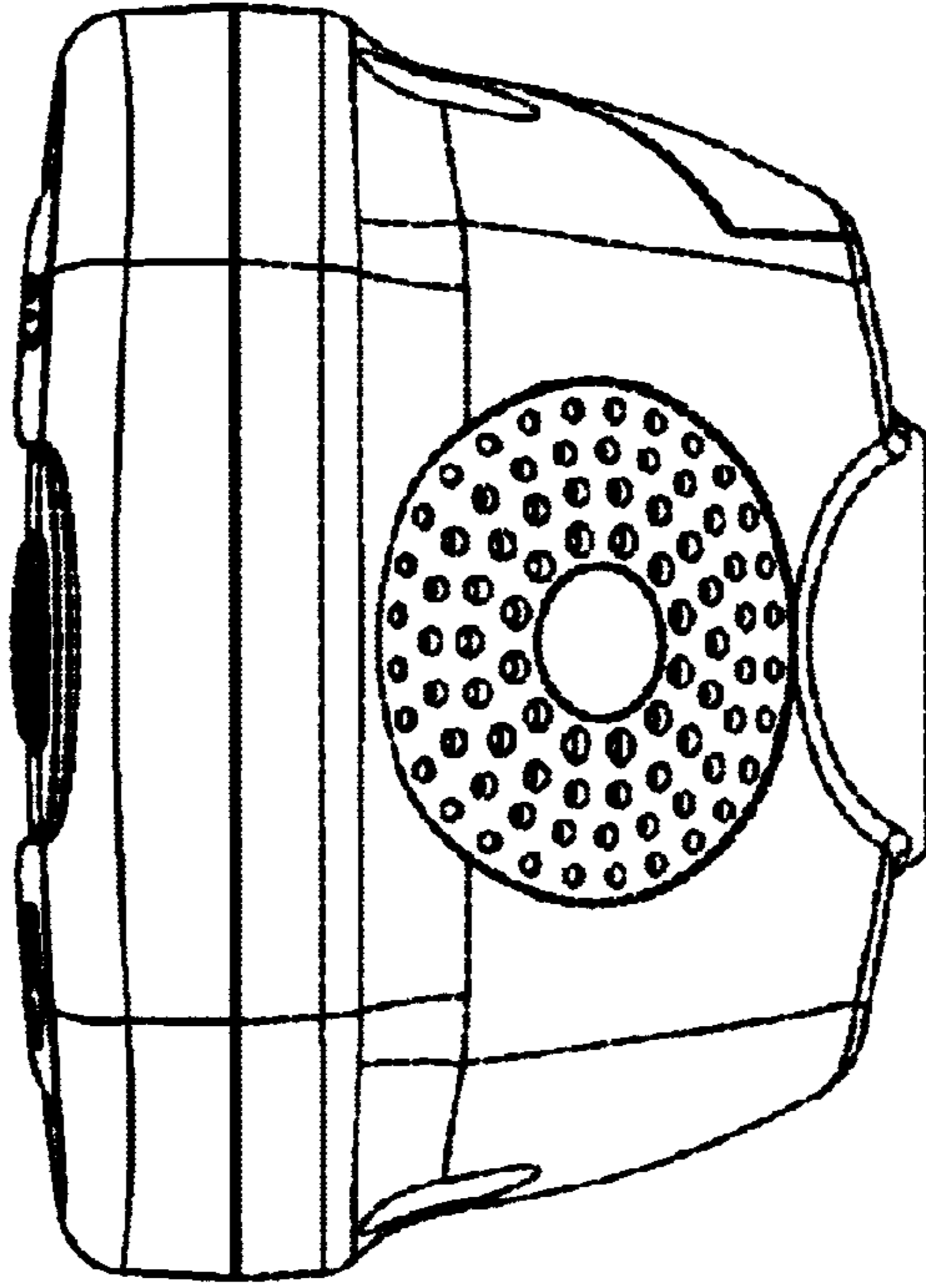
*Fig. 5.*



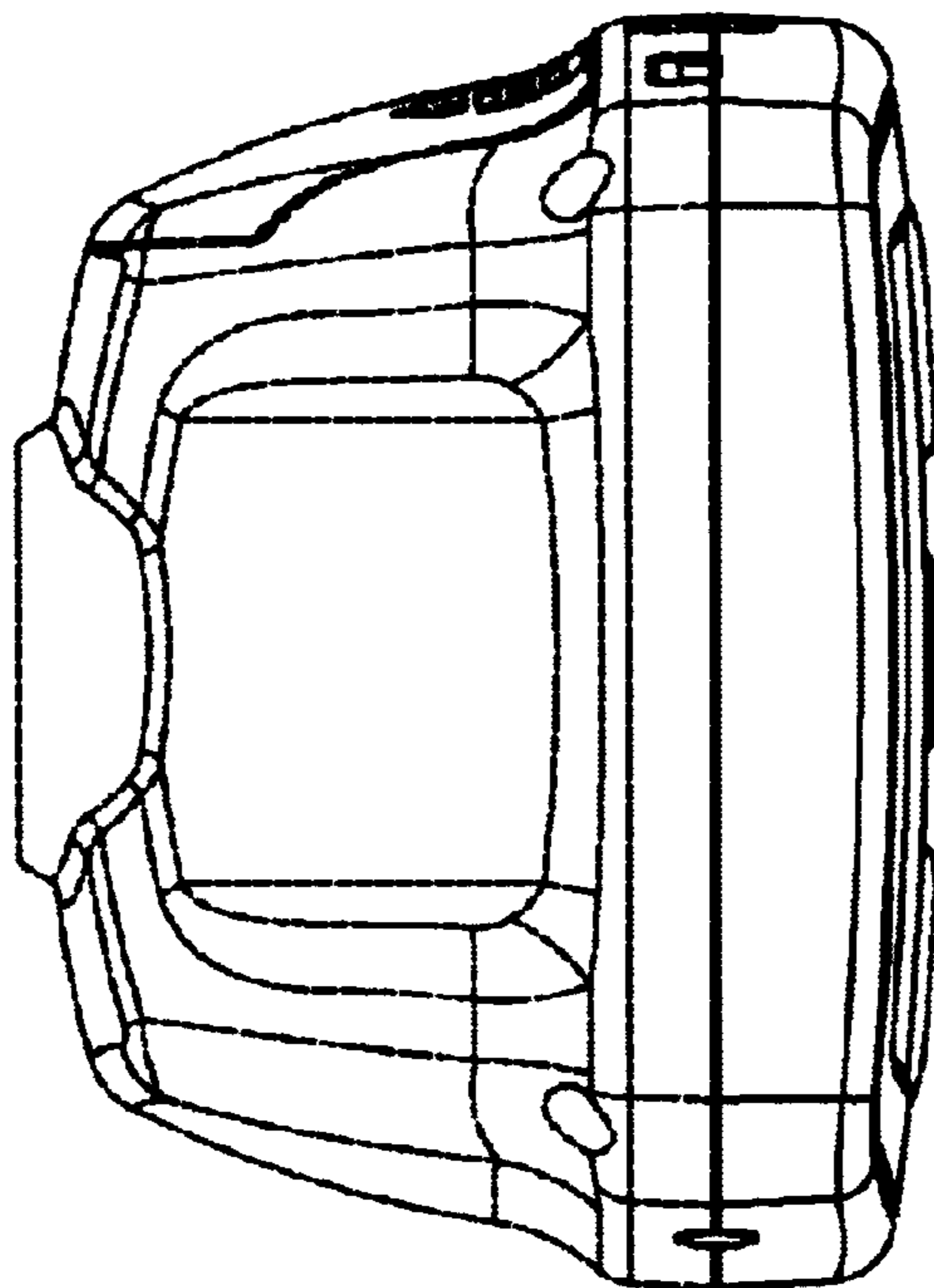
*Fig. 4.*



*Fig. 3.*



*Fig. 7.*



*Fig. 6.*