



US00D543871S

(12) **United States Design Patent**
Mouquet

(10) **Patent No.:** **US D543,871 S**

(45) **Date of Patent:** **** Jun. 5, 2007**

(54) **WATCH CASE**

(75) **Inventor:** **Philippe Mouquet, Paris (FR)**

(73) **Assignee:** **La Montre Hermes S.A., Brugg (CH)**

(**) **Term:** **14 Years**

(21) **Appl. No.:** **29/248,987**

(22) **Filed:** **Sep. 14, 2006**

(30) **Foreign Application Priority Data**

Apr. 11, 2006 (WO) DM/067 733

(51) **LOC (8) Cl.** **10-02**

(52) **U.S. Cl.** **D10/38**

(58) **Field of Classification Search** D10/30-39;
368/276-278, 281-283, 285, 308, 228

See application file for complete search history.

(56) **References Cited**

U.S. PATENT DOCUMENTS

- 3,503,203 A * 3/1970 Gruner et al. 368/21
- 4,653,933 A * 3/1987 Reichel 368/282
- D350,288 S * 9/1994 Giardiello D10/30
- D373,957 S * 9/1996 Mareschal D10/30
- D392,902 S * 3/1998 Mouawad D10/30

- D404,321 S * 1/1999 Dumas D10/39
- D415,693 S * 10/1999 Kennedy D10/30
- D447,063 S * 8/2001 Scheufele D10/30
- D467,820 S * 12/2002 Berliat D10/39

* cited by examiner

Primary Examiner—Lucy Lieberman

(74) *Attorney, Agent, or Firm*—Darby & Darby

(57) **CLAIM**

The ornamental design for watch case, as shown and described.

DESCRIPTION

FIG. 1 is a top side perspective view of a watch case showing my new design;

FIG. 2 is a right side view thereof;

FIG. 3 is an end view thereof;

FIG. 4 is right side view thereof;

FIG. 5 is a top plan view thereof; and,

FIG. 6 is a bottom plan view thereof.

The broken line showing of fasteners of the watch case is for illustrative purposes only and forms no part of the claimed design.

1 Claim, 3 Drawing Sheets

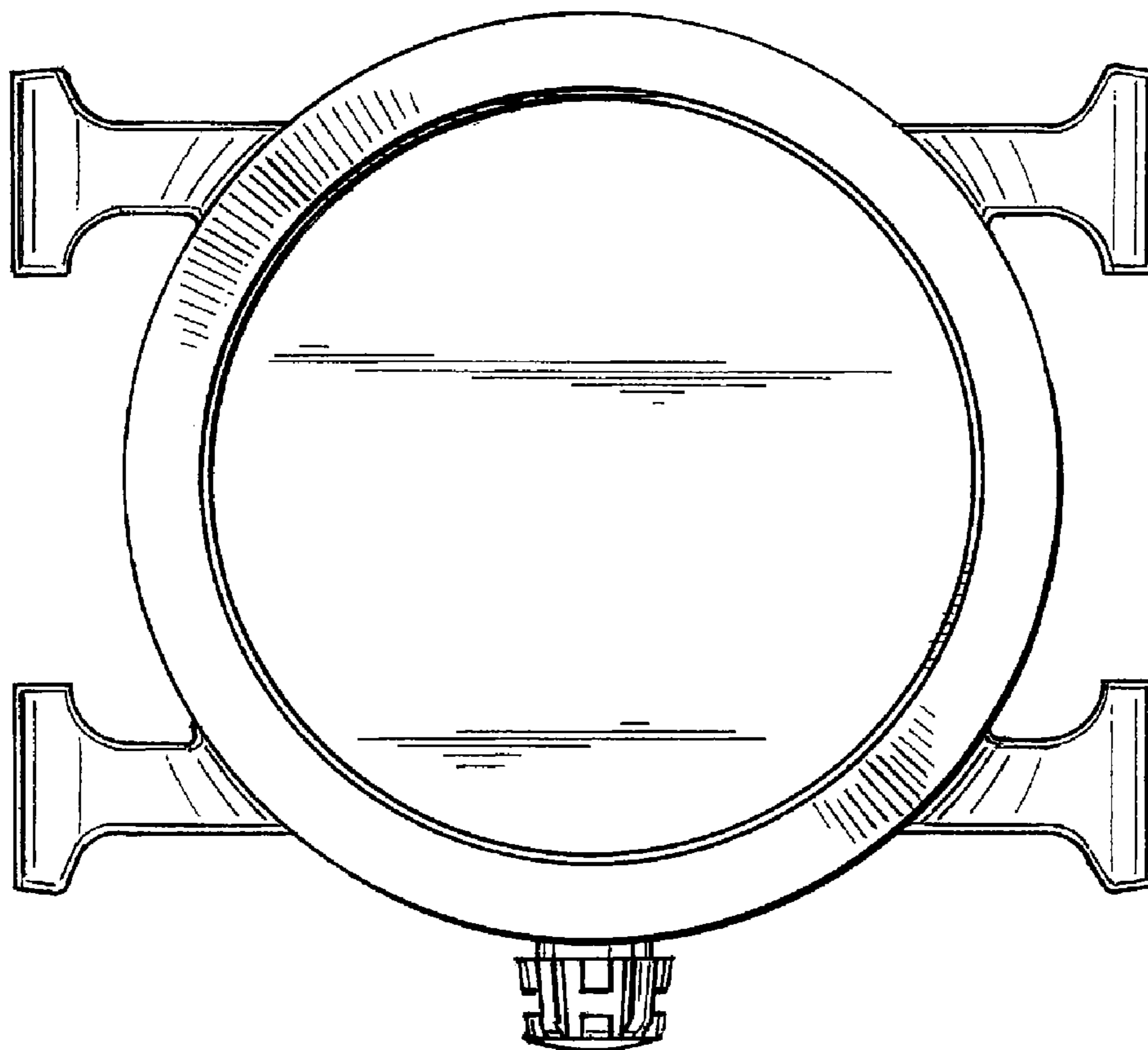


FIG. 1

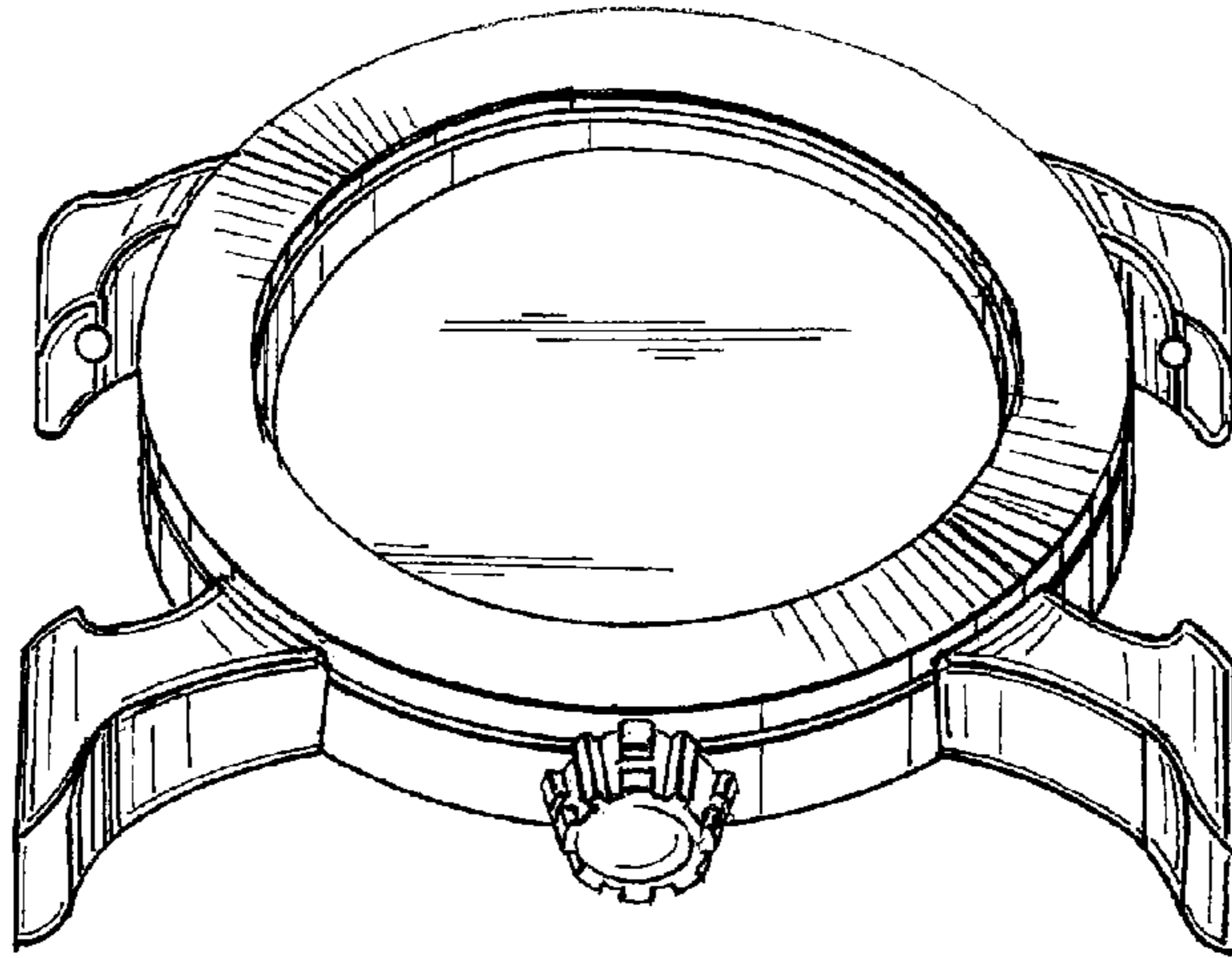


FIG. 2

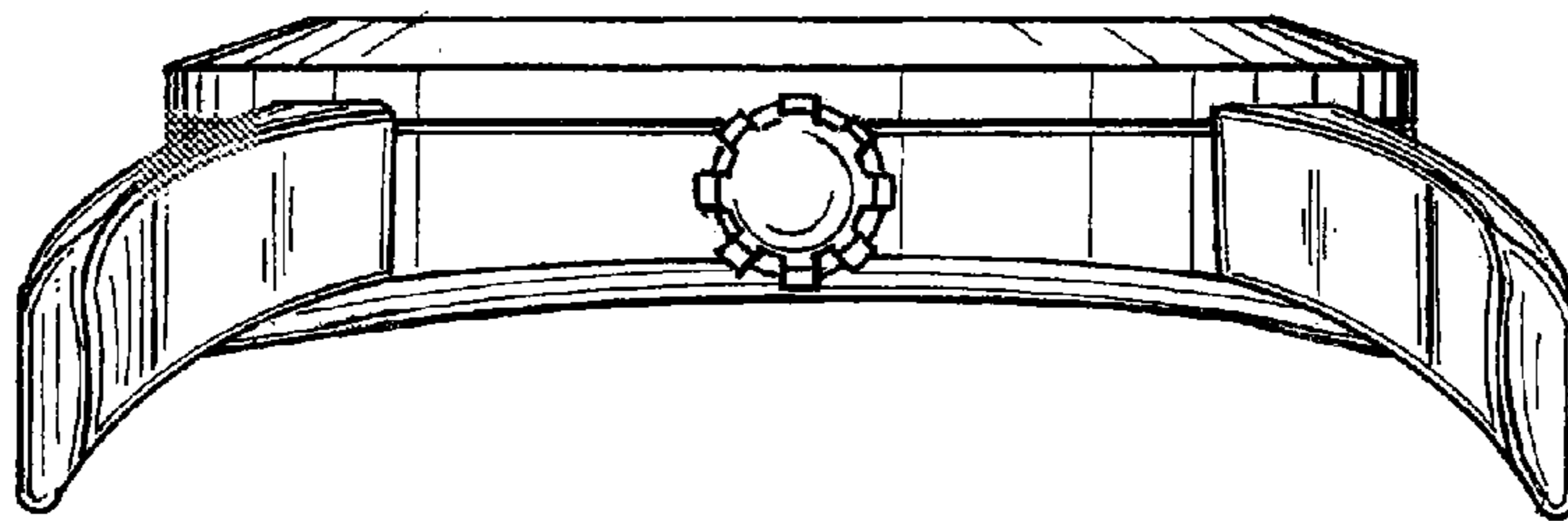


FIG. 3

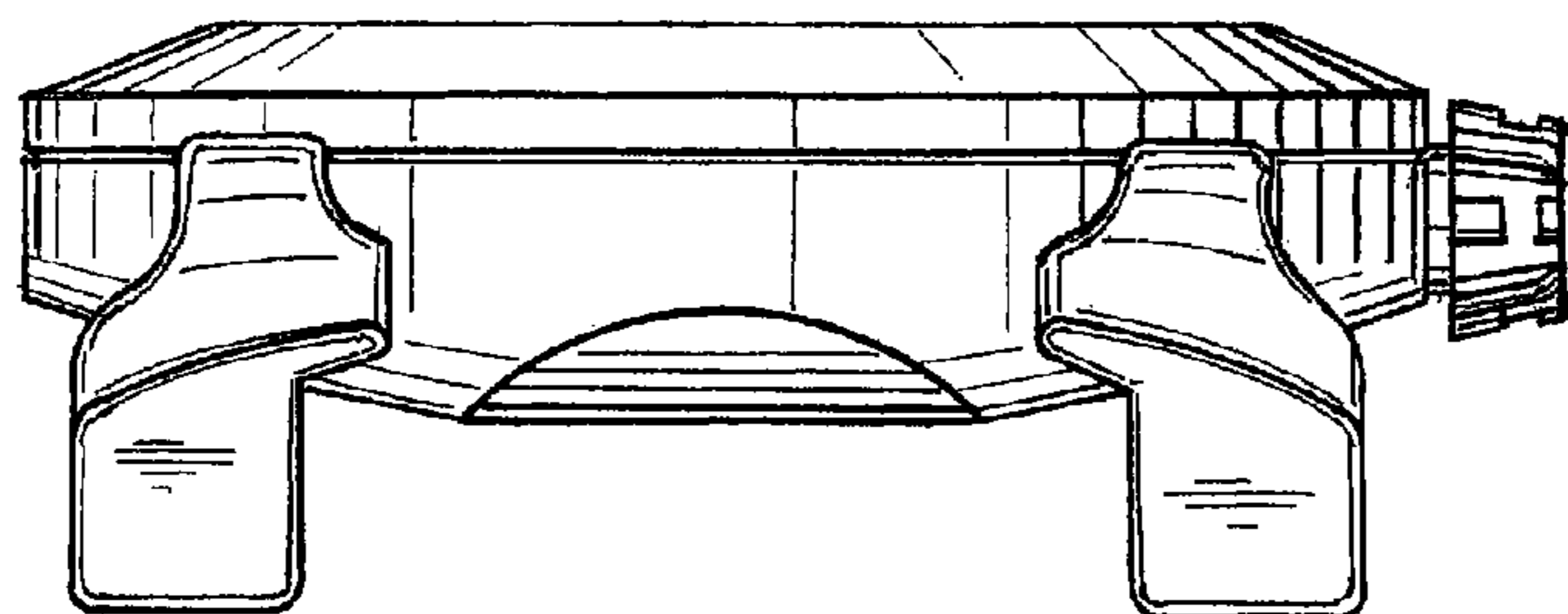


FIG. 4

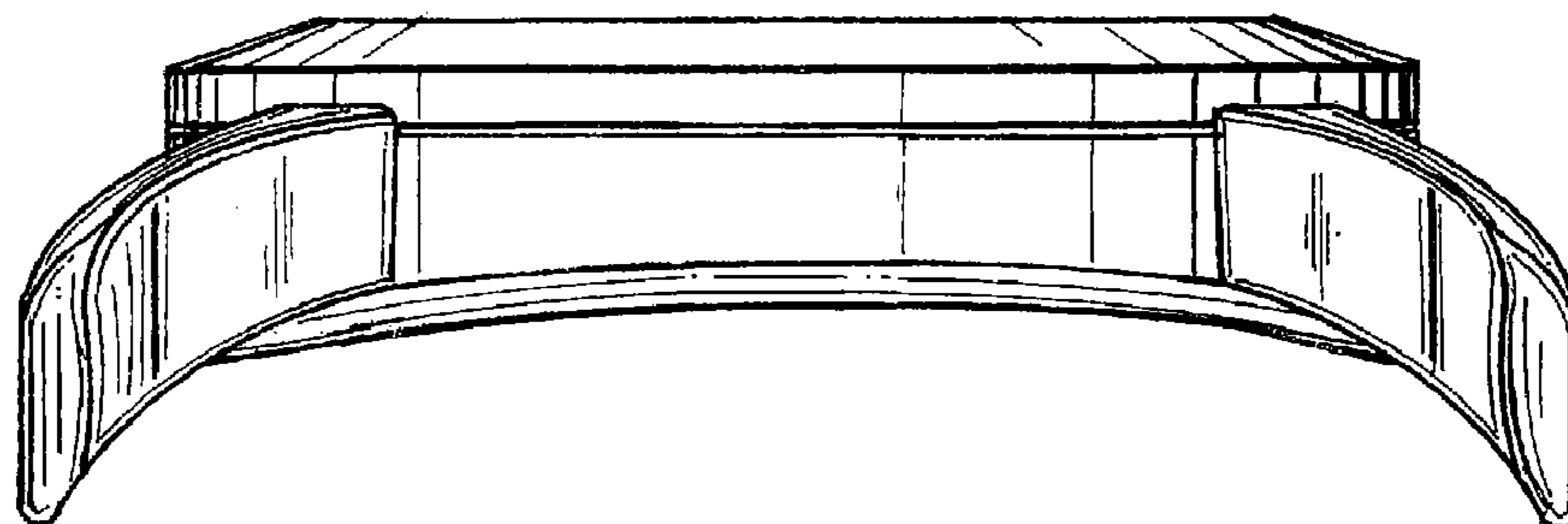


FIG. 5

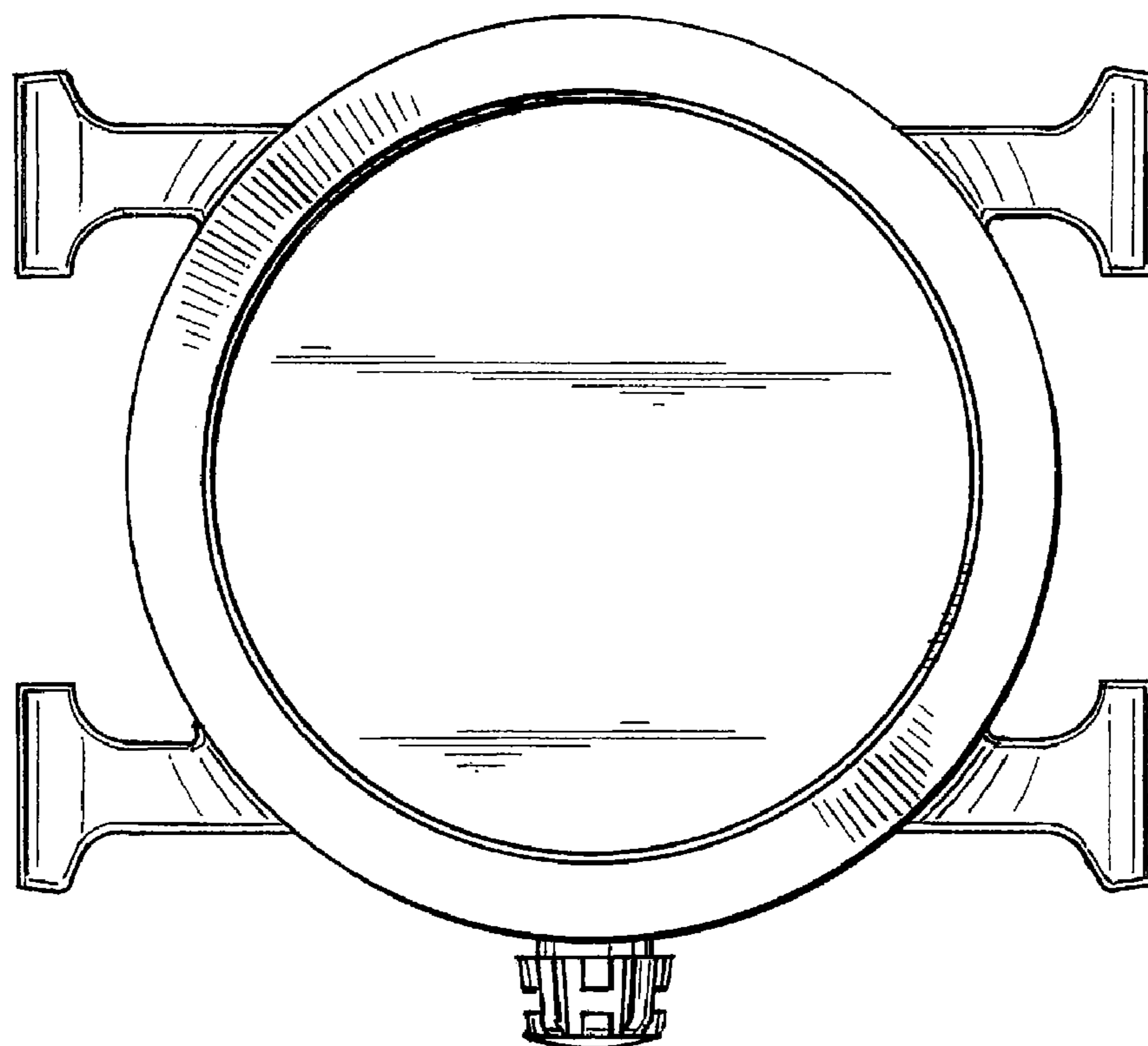


FIG. 6

