

US00D543870S

(12) **United States Design Patent**
Bhavnani

(10) **Patent No.:** **US D543,870 S**

(45) **Date of Patent:** **** Jun. 5, 2007**

(54) **ROUND CLOCK**

D335,633 S * 5/1993 Wada D10/28
D466,025 S * 11/2002 Orner D10/2
D511,694 S * 11/2005 Bhavnani D10/23

(75) Inventor: **Dilip Bhavnani**, Beverly Hills, CA
(US)

OTHER PUBLICATIONS

(73) Assignee: **Sun Coast Merchandise Corporation**,
Commerce, CA (US)

U.S. Appl. No. 29/246,890, Dilip Bhavnani.

* cited by examiner

(**) Term: **14 Years**

Primary Examiner—Lucy Lieberman

(74) *Attorney, Agent, or Firm*—The Soni Law Firm

(21) Appl. No.: **29/246,887**

(57) **CLAIM**

(22) Filed: **May 18, 2006**

The ornamental design for a round clock, as shown and described.

(51) **LOC (8) Cl.** **10-01**

(52) **U.S. Cl.** **D10/23**

(58) **Field of Classification Search** D10/1–29;
368/276–278, 285, 316, 317, 179, 28–30,
368/82–84, 239–242, 223, 226, 243
See application file for complete search history.

DESCRIPTION

FIG. 1 is a front side perspective view of the present invention showing my new design with the phantom lines depicting environmental structure and forming no part of the claimed design;

(56) **References Cited**

U.S. PATENT DOCUMENTS

D1,966 S * 6/1864 Dunn D10/28
D50,988 S * 7/1917 Hoche D10/2
D109,210 S * 4/1938 Darrot D10/23
D162,523 S * 3/1951 Danz D10/23
D170,324 S * 9/1953 Lux et al. D10/23
D197,442 S * 2/1964 Solecki D10/53
D197,617 S * 3/1964 Shanok et al. D10/1
D259,105 S * 5/1981 Hocq D10/23
D279,764 S * 7/1985 Rhoades D10/23
D330,678 S * 11/1992 Prudhomme D10/23

FIG. 2 is a front elevational view thereof with the phantom lines depicting environmental structure and forming no part of the claimed design;

FIG. 3 is a right side elevation thereof;

FIG. 4 is a left side elevation thereof;

FIG. 5 is a top plan view thereof;

FIG. 6 is a bottom plan view thereof; and,

FIG. 7 is a back elevational view thereof.

1 Claim, 3 Drawing Sheets

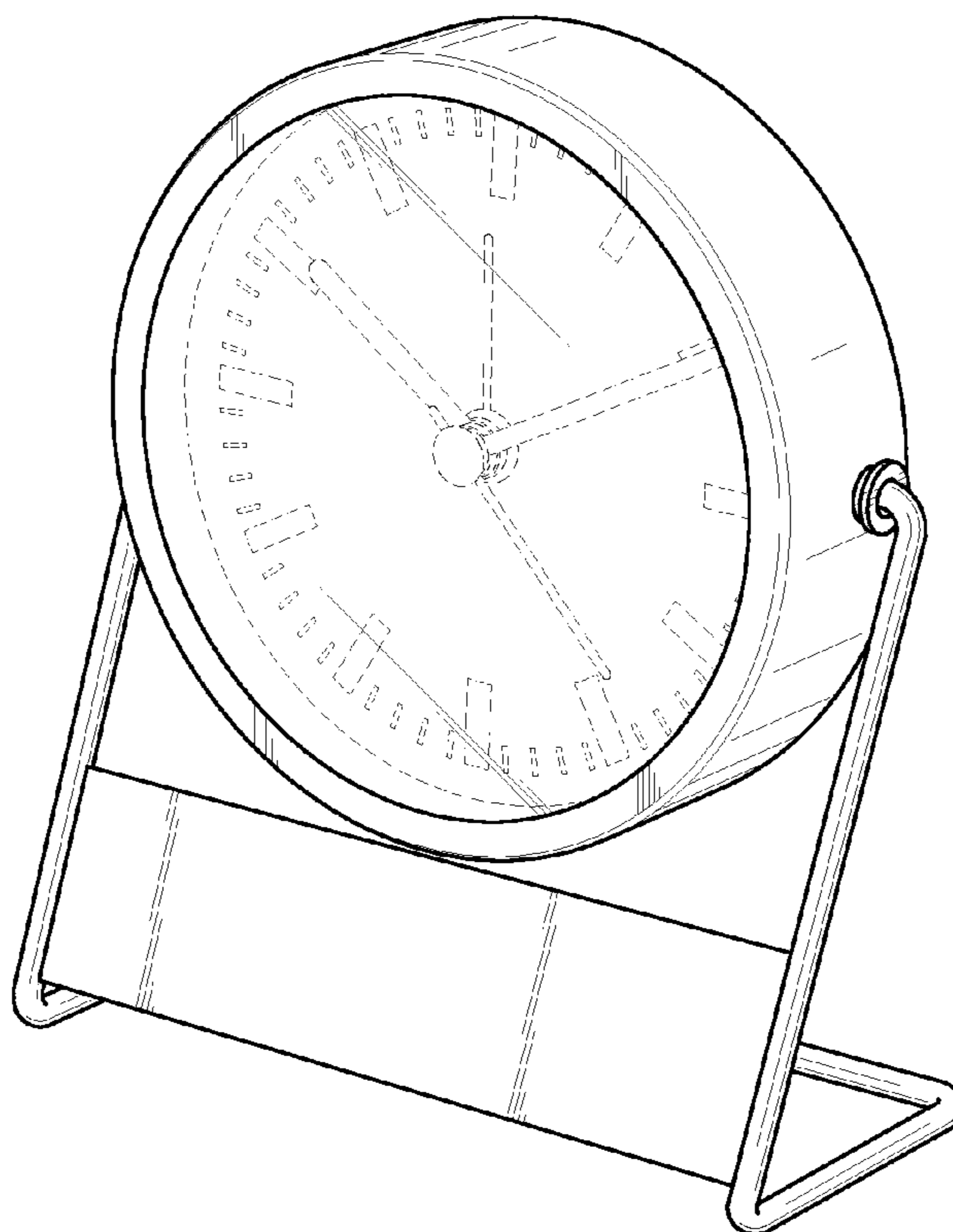


FIG. 1

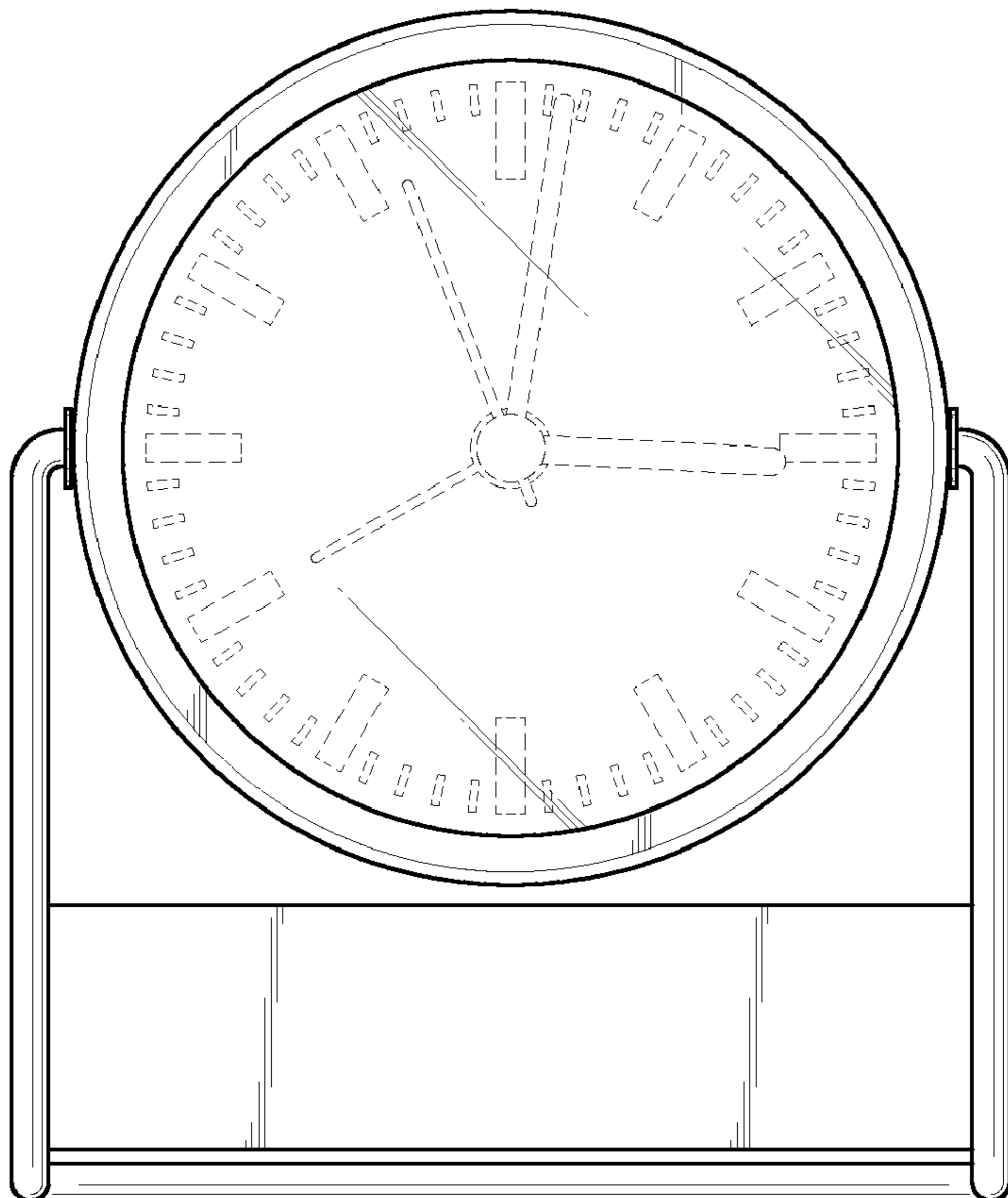
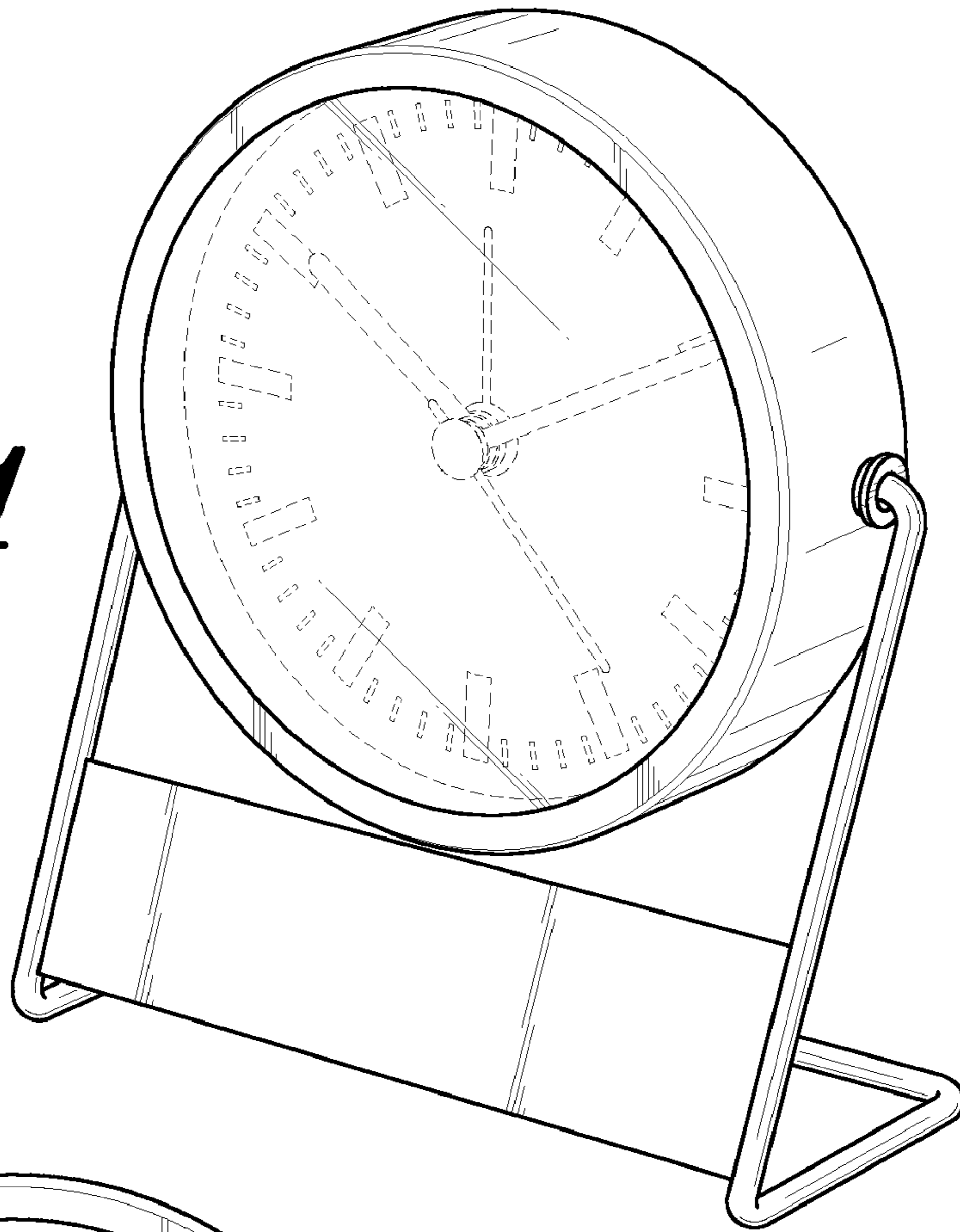


FIG. 2

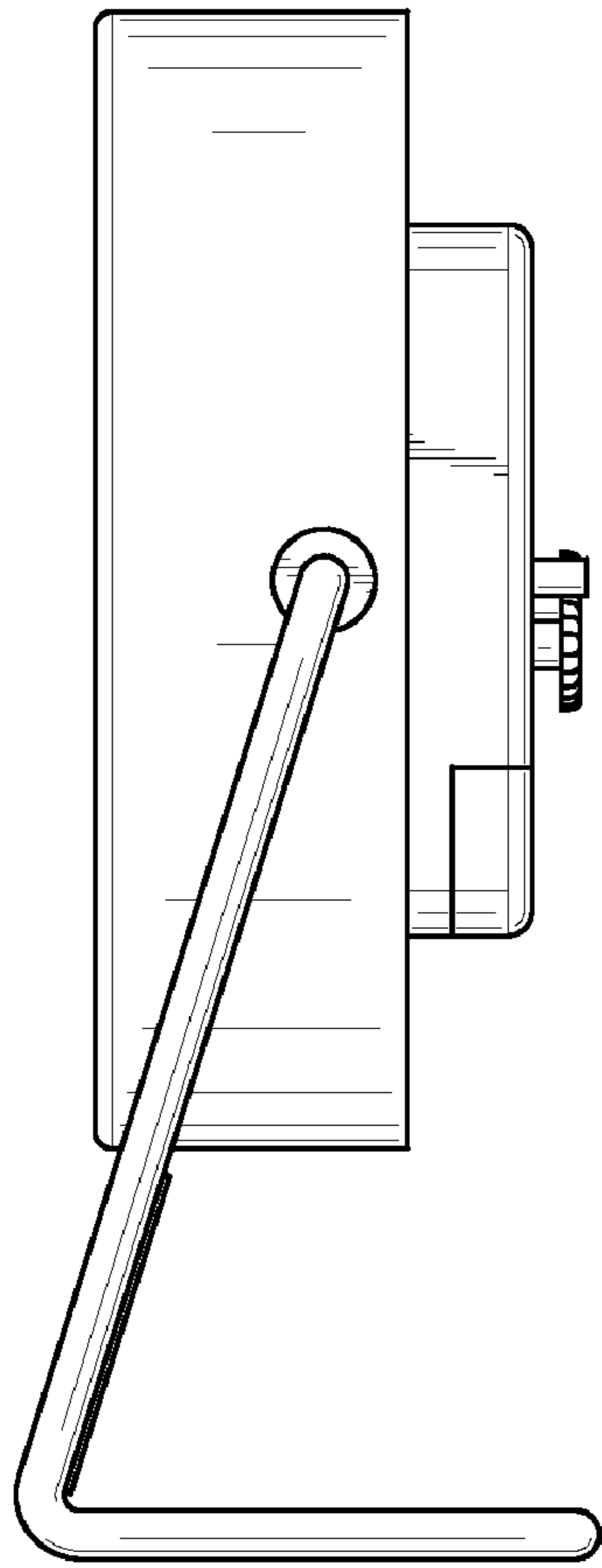


FIG. 3

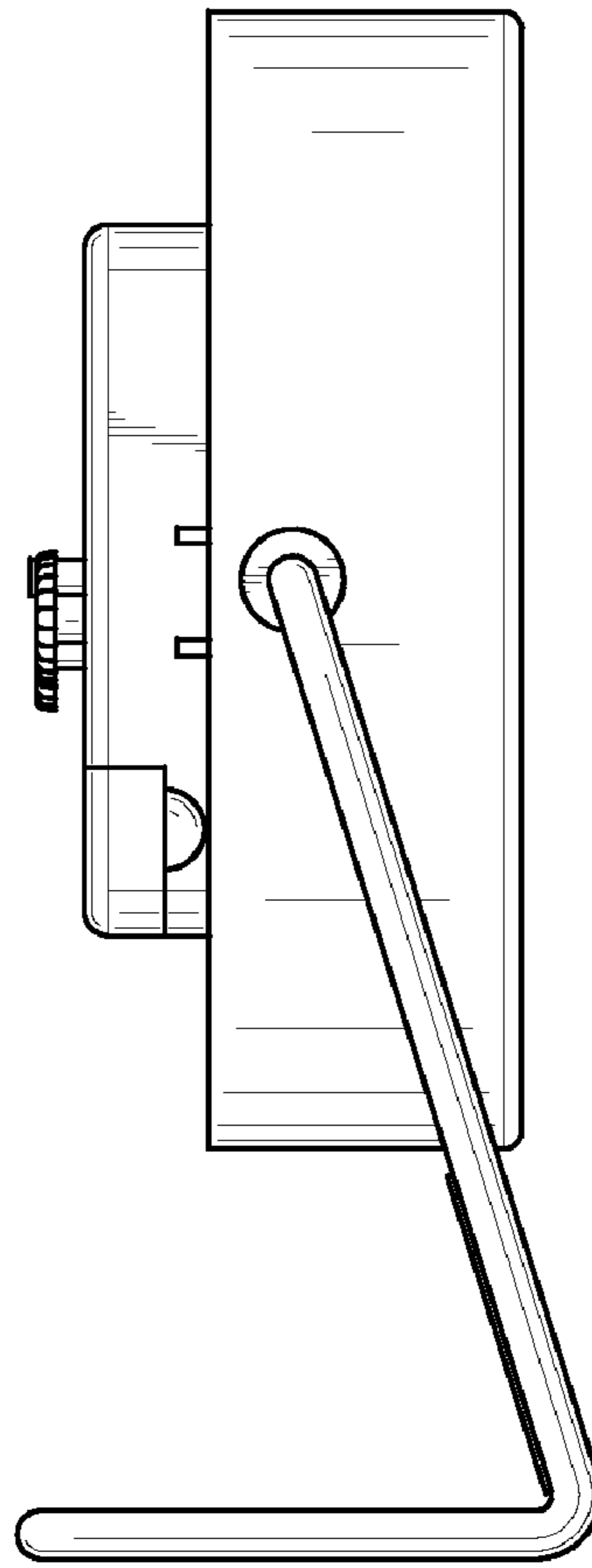


FIG. 4

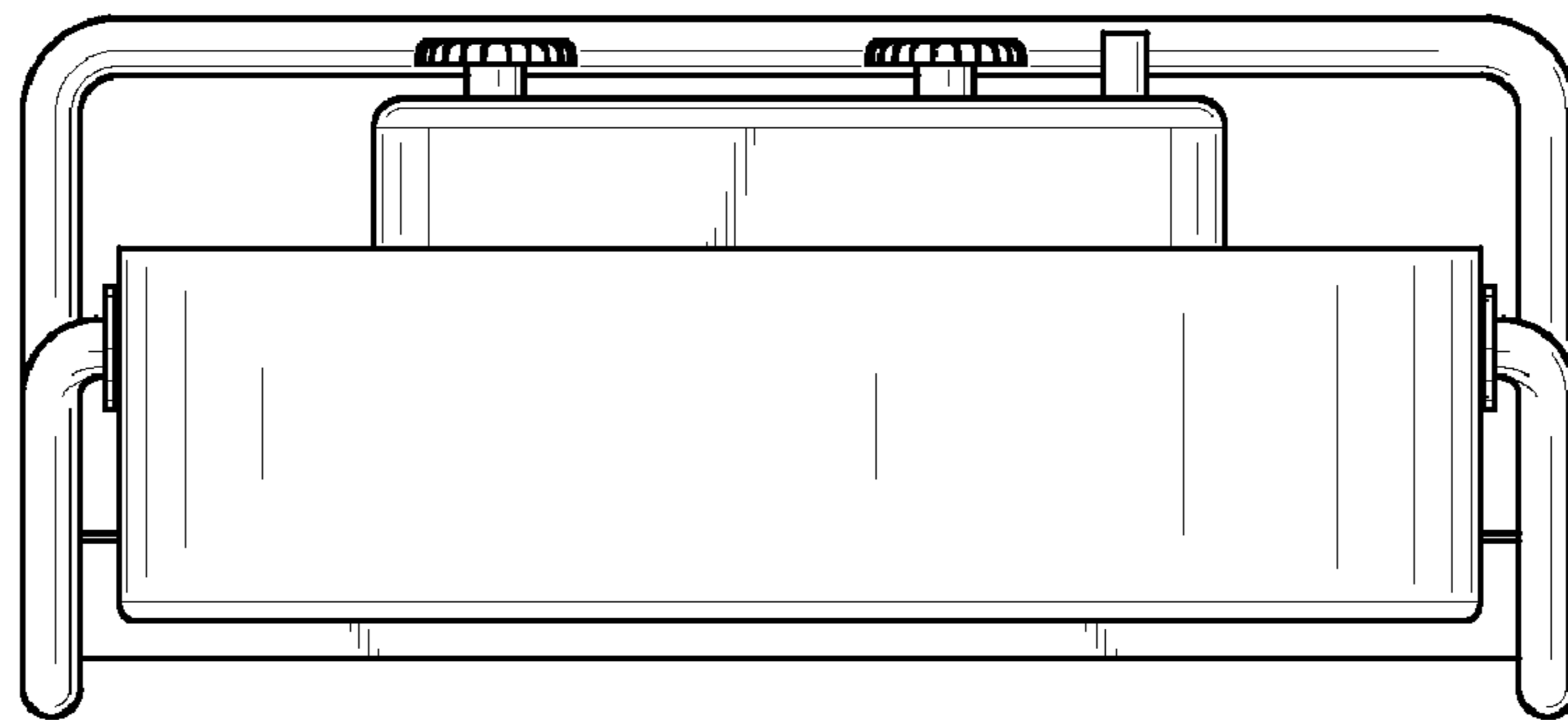


FIG. 5

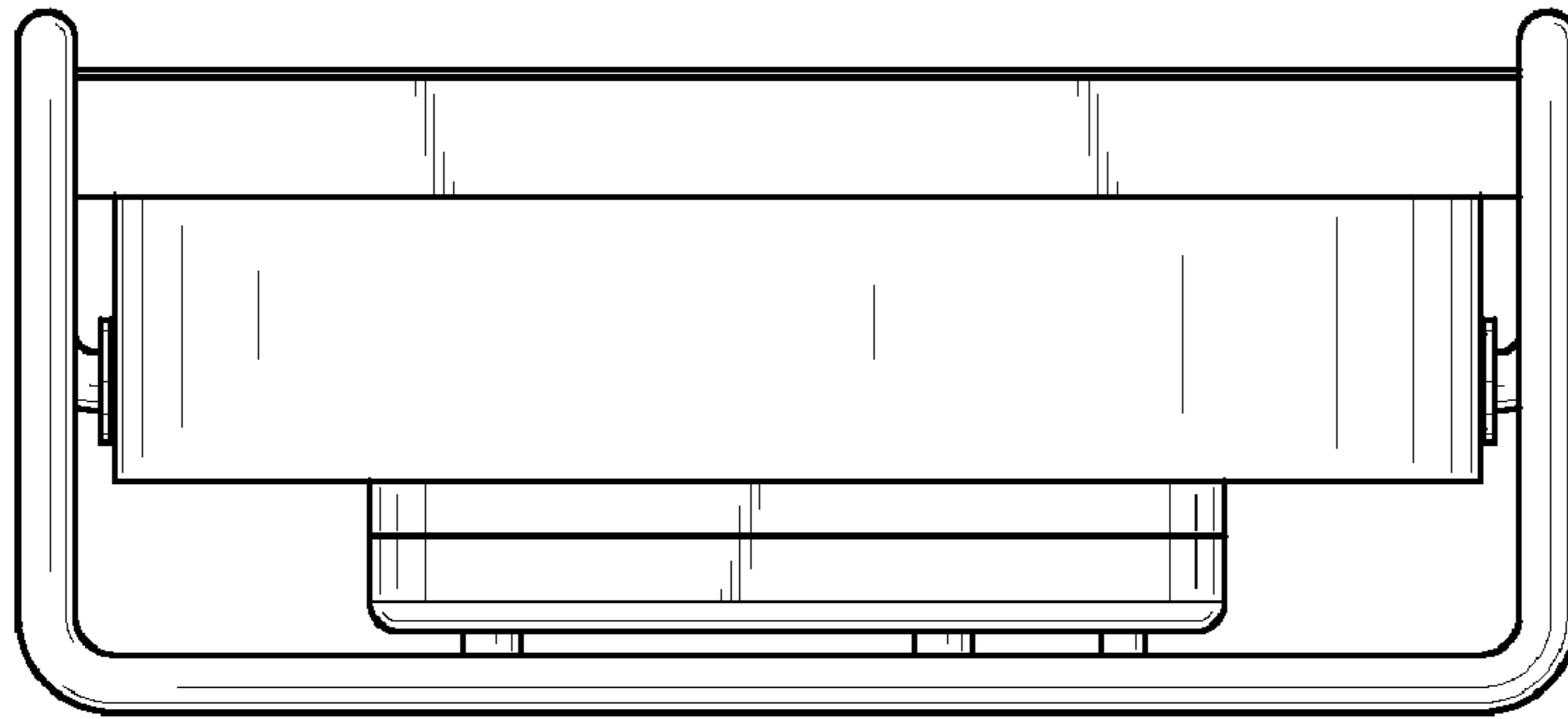


FIG. 6

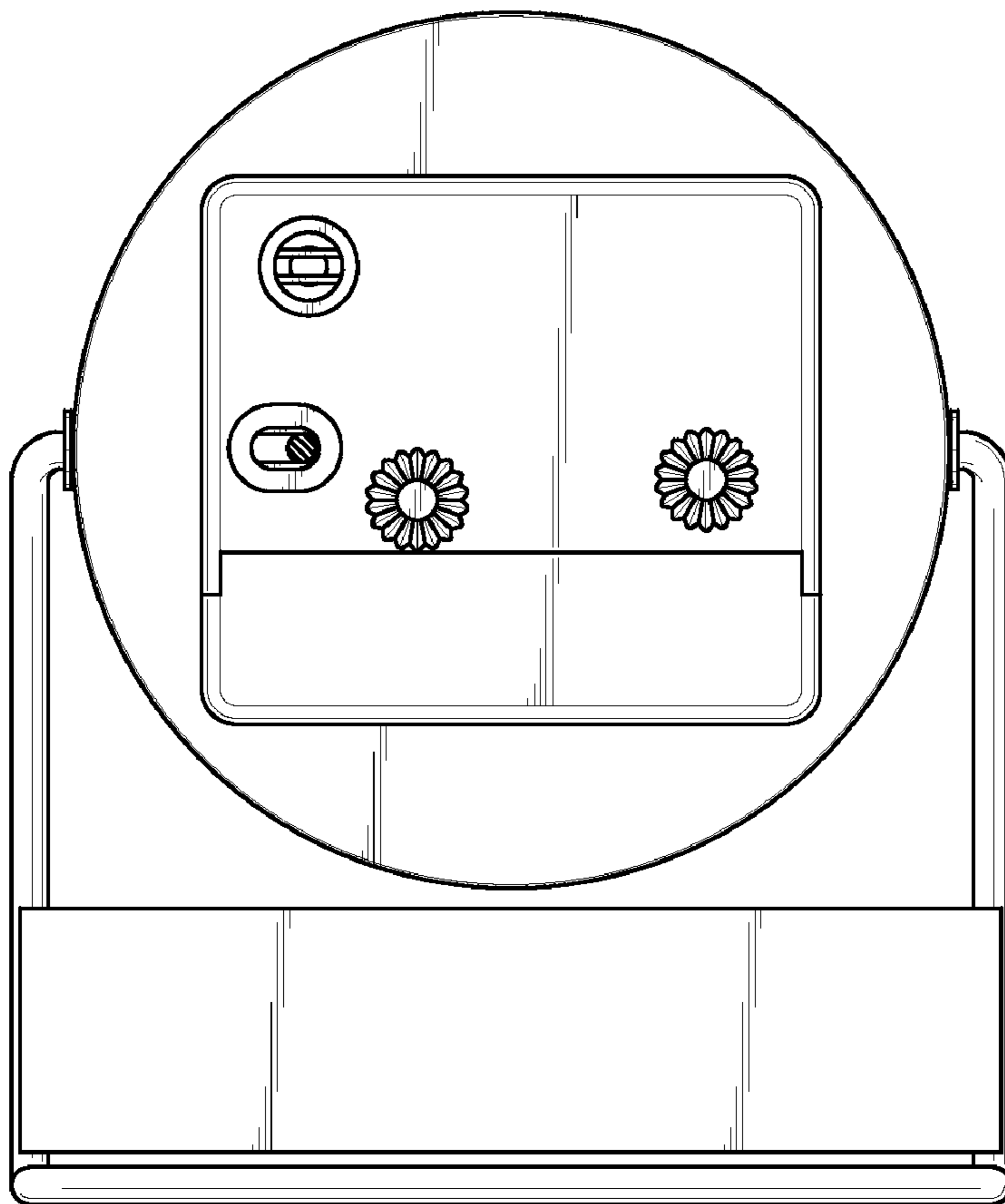


FIG. 7