

US00D543866S

(12) **United States Design Patent**
Mikkelsen

(10) **Patent No.:** **US D543,866 S**

(45) **Date of Patent:** **** Jun. 5, 2007**

(54) **TOOL PACKAGING**

(75) Inventor: **Lars Mikkelsen**, Horsens (DK)

(73) Assignee: **D2Trading**, Horsens (DK)

(**) Term: **14 Years**

(21) Appl. No.: **29/266,762**

(22) Filed: **Sep. 26, 2006**

(30) **Foreign Application Priority Data**

May 5, 2006 (EP) 000523121-0001

(51) **LOC (8) Cl.** **09-03**

(52) **U.S. Cl.** **D9/732**

(58) **Field of Classification Search** D9/700,
D9/730, 732, 737, 756, 757, 759, 761, 762,
D9/414, 415, 418, 424; D6/512, 515, 300;
D3/201, 203.1, 203.2, 203.3; D24/224-227,
D24/229, 230; 206/277, 461, 470, 528, 531-533,
206/538, 557, 562, 564, 565; 221/80, 129,
221/173, 478; 222/30, 92, 282

See application file for complete search history.

(56) **References Cited**

U.S. PATENT DOCUMENTS

3,862,684 A * 1/1975 Schmitt 206/277
D262,095 S * 12/1981 Takahashi D9/700
4,724,964 A * 2/1988 Hernandez 206/461
D327,425 S * 6/1992 Hamada et al. D9/415
D327,426 S * 6/1992 Karita et al. D9/415
D401,503 S * 11/1998 Domenget D9/732

D419,439 S * 1/2000 Markovsky et al. D9/415
6,053,321 A * 4/2000 Kayser 206/470
D438,104 S * 2/2001 Hacker et al. D9/415
D501,790 S * 2/2005 Feibelman D9/415
2005/0269232 A1 * 12/2005 Eisenbraun 206/461

* cited by examiner

Primary Examiner—Mitchell Siegel

Assistant Examiner—Shanda C. Hill

(74) *Attorney, Agent, or Firm*—Winston & Strawn LLP

(57) **CLAIM**

The ornamental design for a tool packaging, as shown and described.

DESCRIPTION

FIG. 1 is a perspective view of a tool packaging showing my new design;

FIG. 2 is a rear view of the tool packaging of FIG. 1;

FIG. 3 is a front view of the tool packaging of FIG. 1;

FIG. 4 is a side view of the tool packaging of FIG. 1;

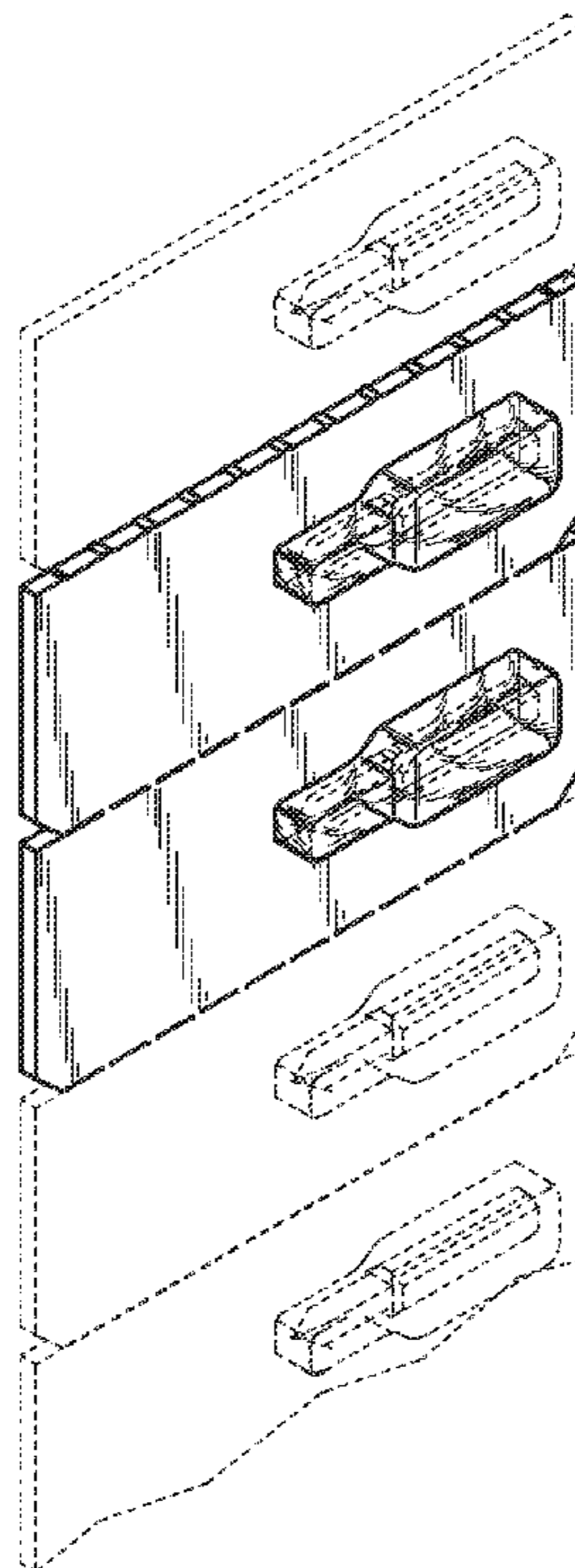
FIG. 5 is another side view of the tool packaging of FIG. 1;

FIG. 6 is a bottom view of the tool packaging of FIG. 1; and,

FIG. 7 is a top view of the tool packaging of FIG. 1.

The broken lines shown in the drawing disclosure are for illustrative purposes only and form no part of the claimed design. The larger dashed lines are meant to represent perforation.

1 Claim, 2 Drawing Sheets



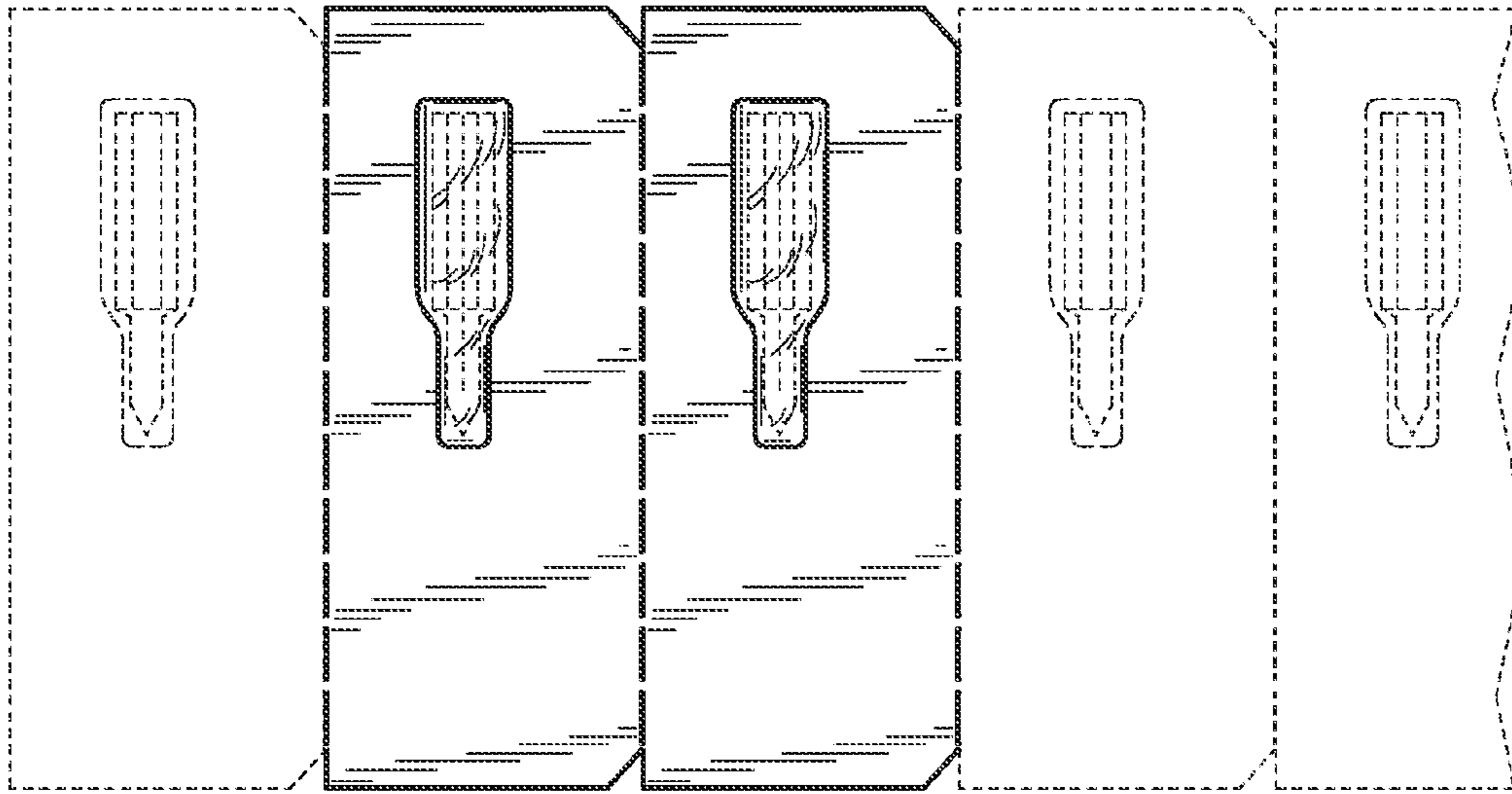


Fig.3

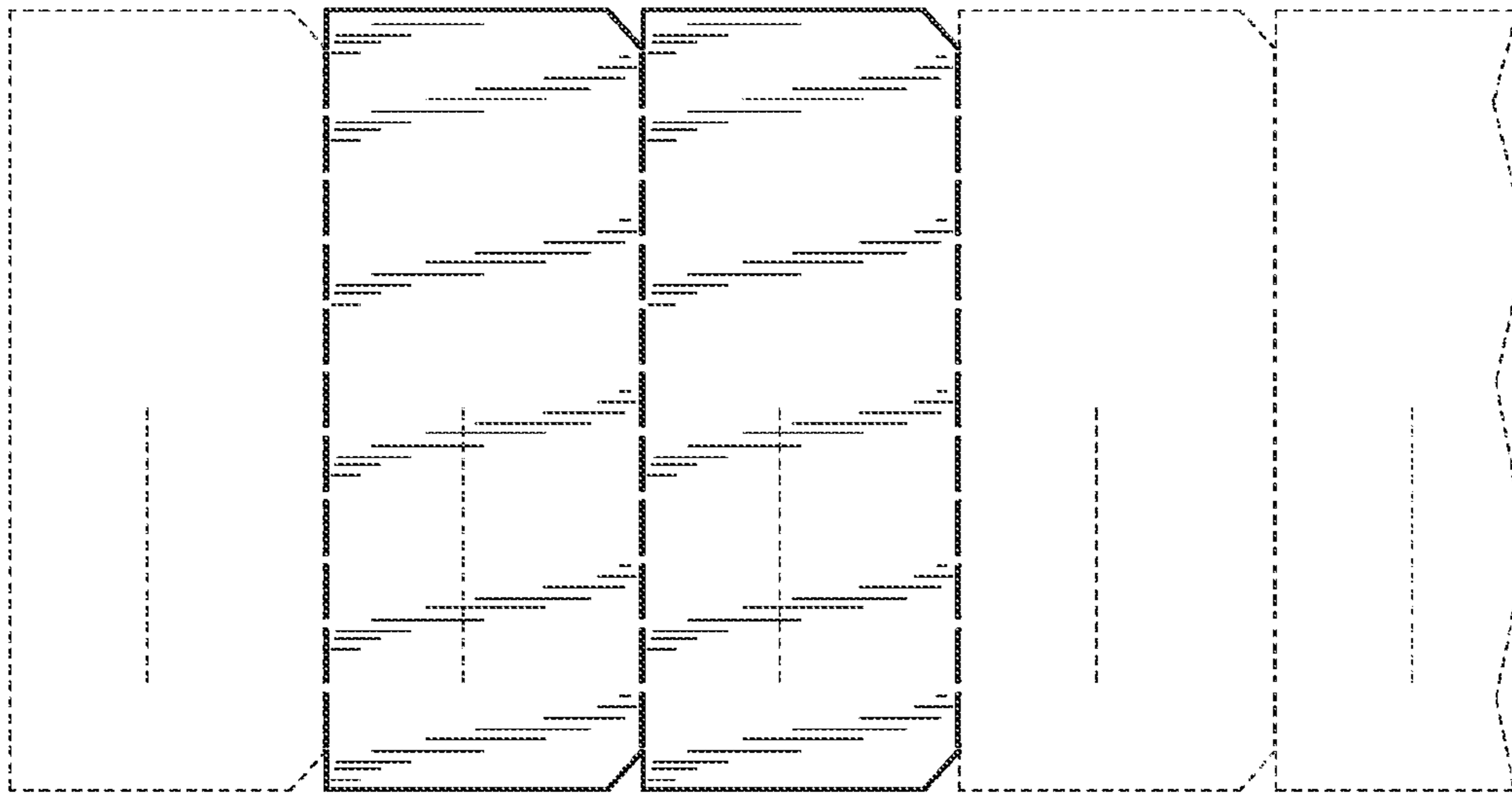


Fig.2

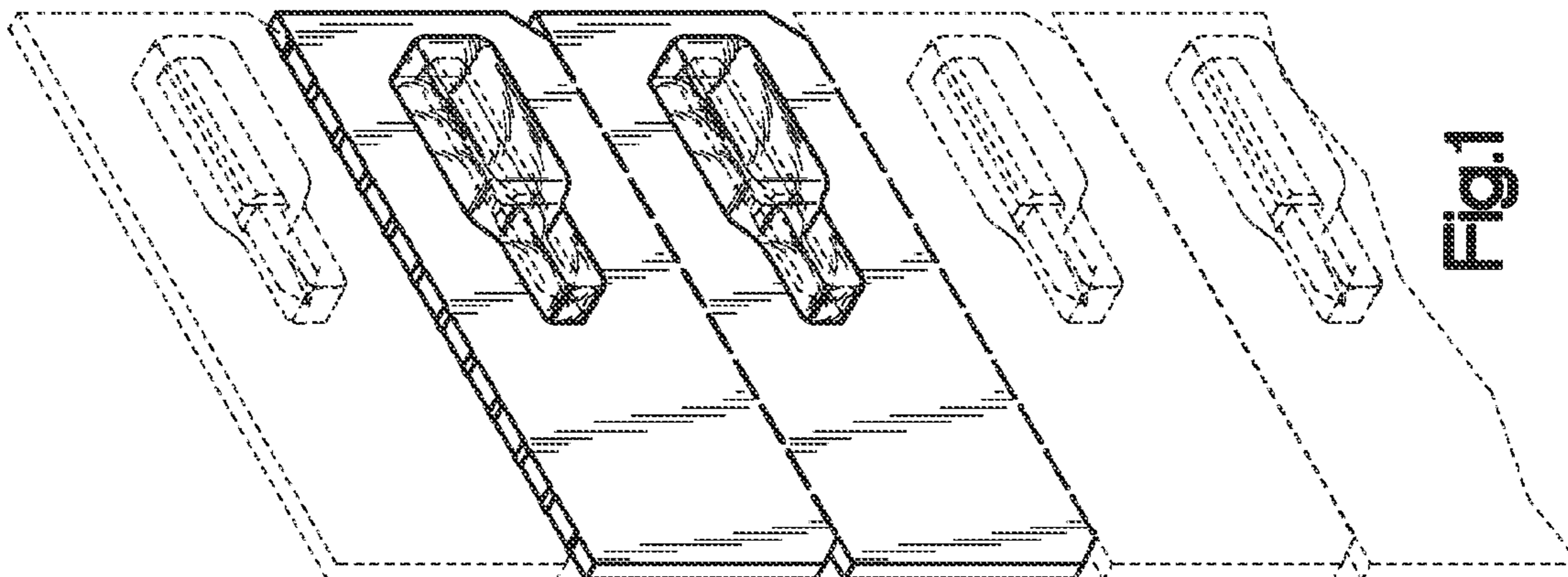


Fig.1



Fig.6

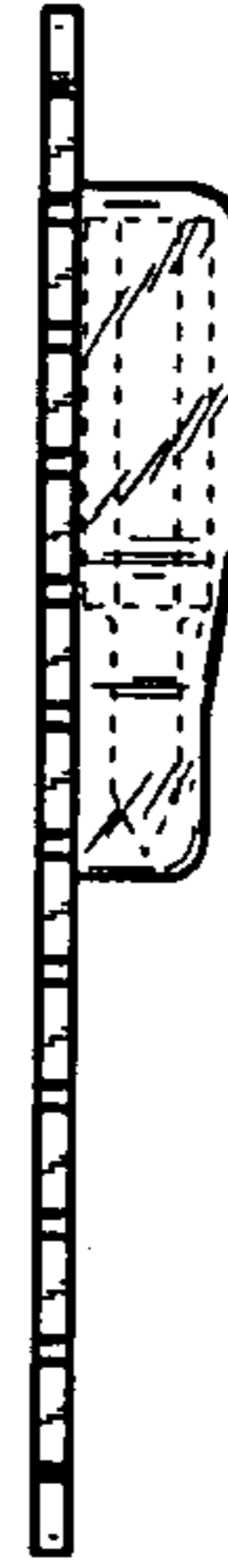


Fig.7

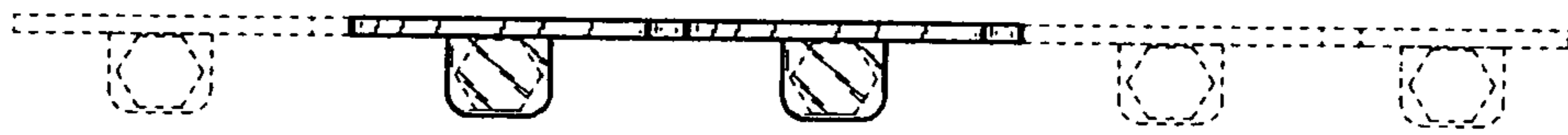


Fig.5



Fig.4