



US00D543864S

(12) **United States Design Patent**
Cho et al.

(10) **Patent No.:** **US D543,864 S**
(45) **Date of Patent:** **** Jun. 5, 2007**

(54) **DUAL DISPENSER PACKAGE WITH SINGLE ACTUATOR**

2003/0089738 A1 5/2003 Peterson
* cited by examiner

(76) Inventors: **Sean H. Cho**, 641 A. Fieldcrest Dr.,
South Elgin, IL (US) 60177; **Peter J. Walters**, 247 W. Lincoln Ave.,
Barrington, IL (US) 60010

Primary Examiner—Stella Reid
Assistant Examiner—Rashida C. McCoy

(**) Term: **14 Years**

(57) **CLAIM**

The ornamental design for a dual dispenser package with single actuator, as shown and described.

(21) Appl. No.: **29/239,675**

(22) Filed: **Sep. 20, 2005**

DESCRIPTION

(51) **LOC (8) Cl.** **09-03**

FIG. 1 is an exploded view including overcap of the first embodiment of a dual dispenser package with single actuator;

(52) **U.S. Cl.** **D9/684**

FIG. 2 is a front view with overcap attached thereof;

(58) **Field of Classification Search** D9/684,
D9/424, 504, 521–530, 544, 560, 572–574,
D9/687, 694; D3/321; D7/605; D34/1;
222/137

FIG. 3 is a right-view, which is a mirror image of the left-side view thereof;

See application file for complete search history.

FIG. 4 is a rear view attached thereof;

(56) **References Cited**

U.S. PATENT DOCUMENTS

D237,583 S *	11/1975	Kemp	D9/684
4,826,048 A	5/1989	Skorka		
5,611,463 A *	3/1997	Favre	222/137
5,645,193 A *	7/1997	Gentile et al.	222/137
5,740,947 A	4/1998	Flaig		
5,934,515 A *	8/1999	Bennett	222/153.14
6,105,823 A *	8/2000	Seager et al.	222/137
6,117,433 A	9/2000	Edens		
RE38,328 E	11/2003	Gueret		
6,672,483 B1	1/2004	Roy		
D510,527 S *	10/2005	Tune	D9/684

FIG. 5 is a top view attached thereof;

FIG. 6 is a bottom view attached thereof;

FIG. 7 is an isometric view,

FIG. 8 is an isometric view with overcap removed, of the second embodiment of a dual dispenser package with single actuator,

FIG. 9 is a front view thereof;

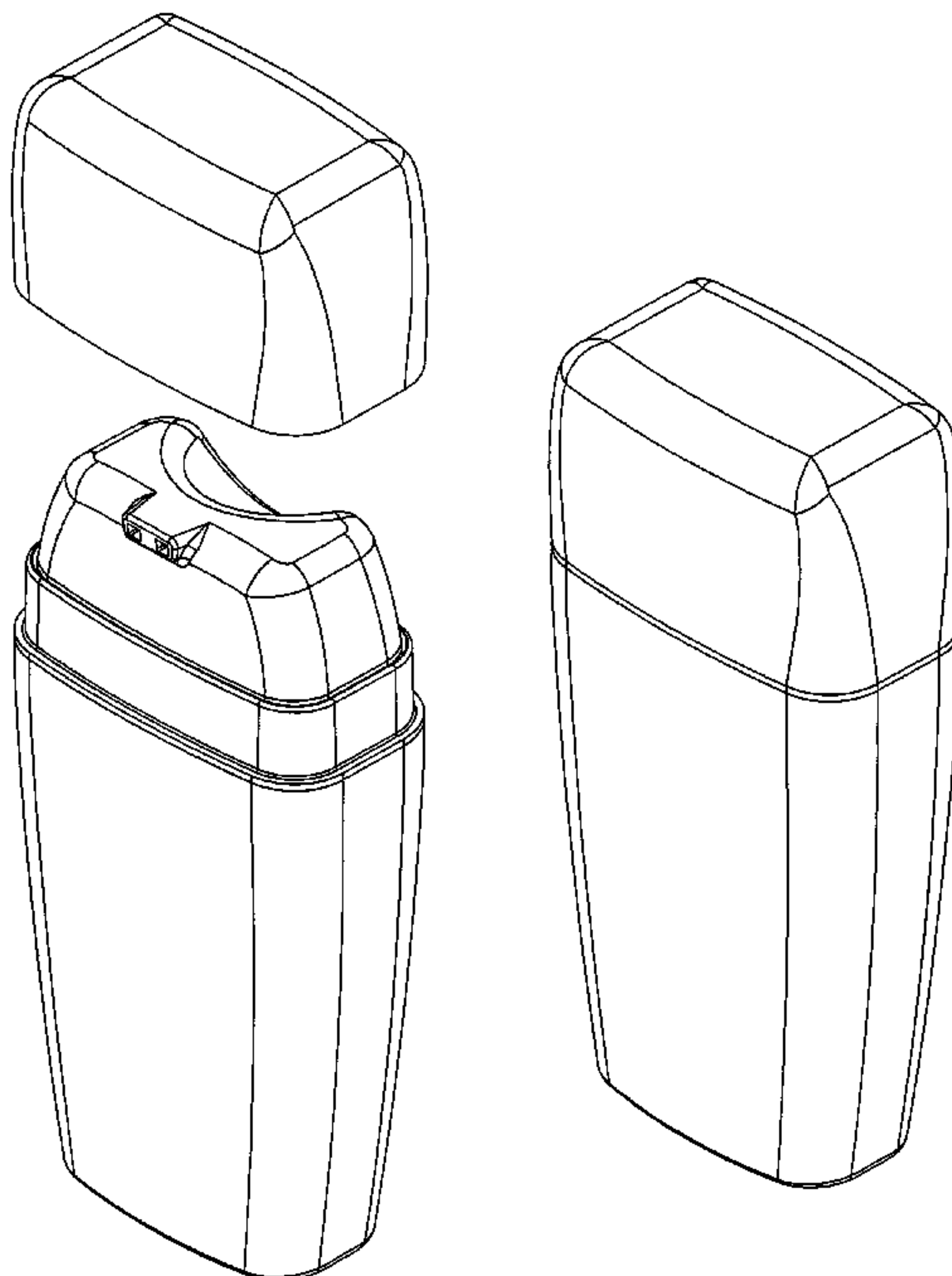
FIG. 10 is a right-view, which is a mirror image of the left-side view thereof;

FIG. 11 is a rear view thereof;

FIG. 12 is a top view thereof; and,

FIG. 13 is a bottom view.

1 Claim, 5 Drawing Sheets



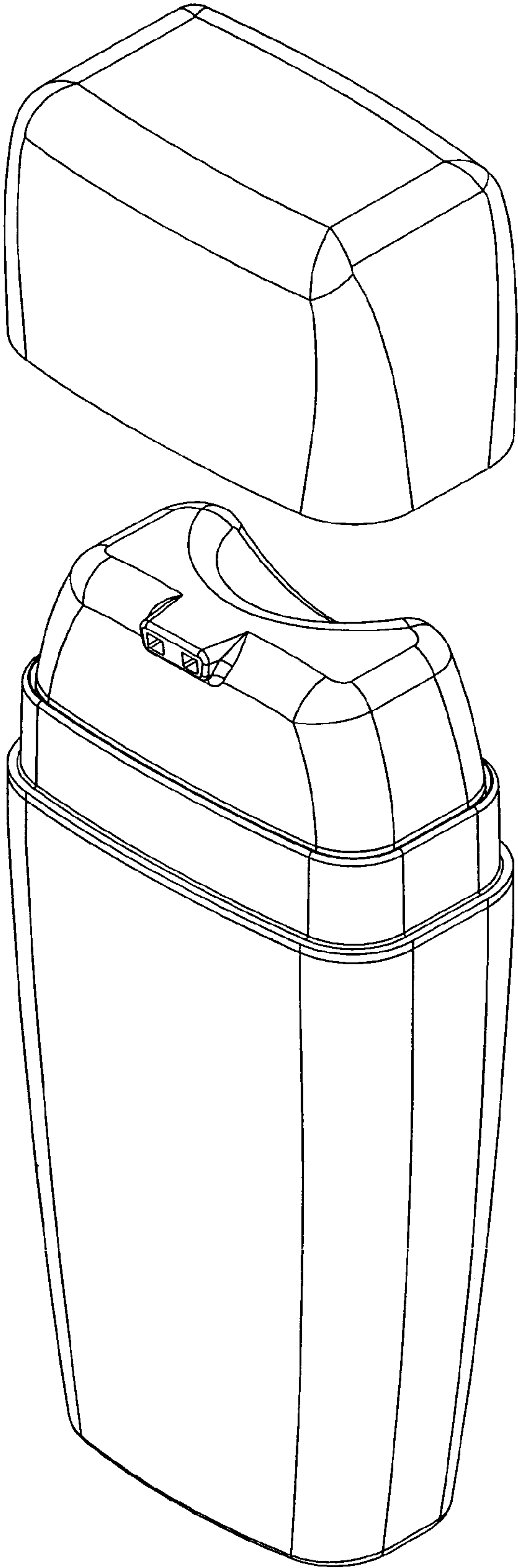


FIG. 1

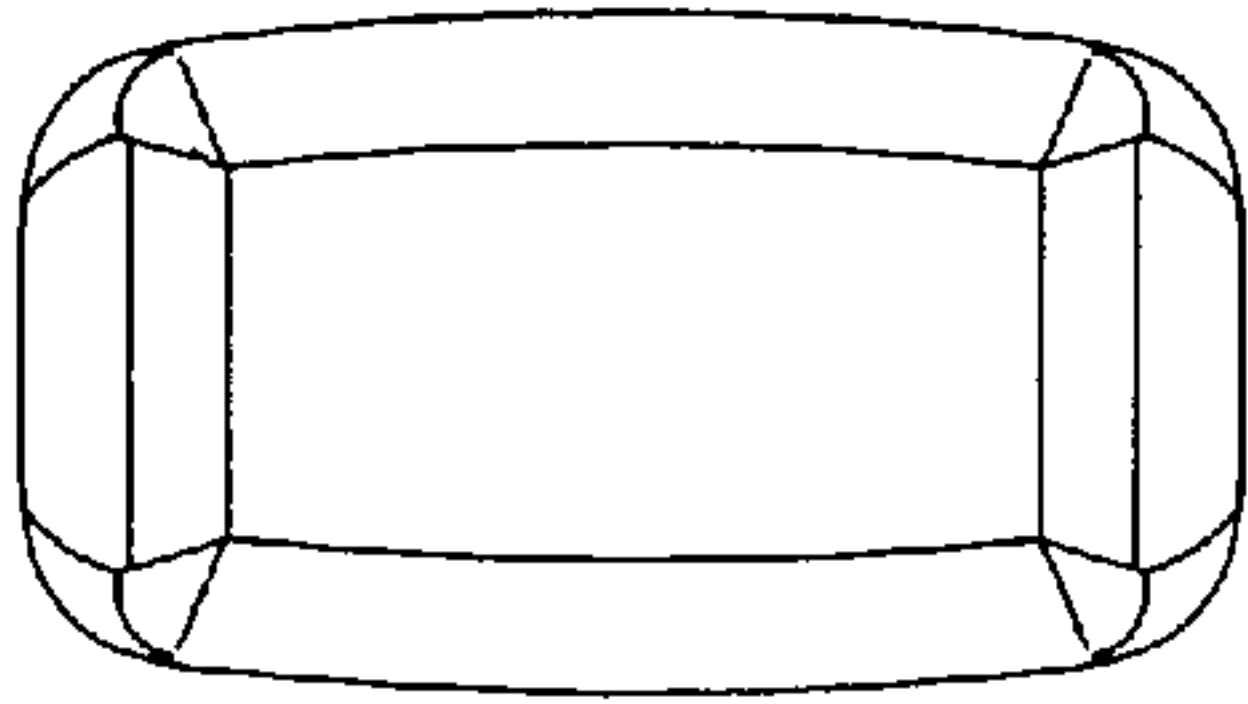


FIG. 5

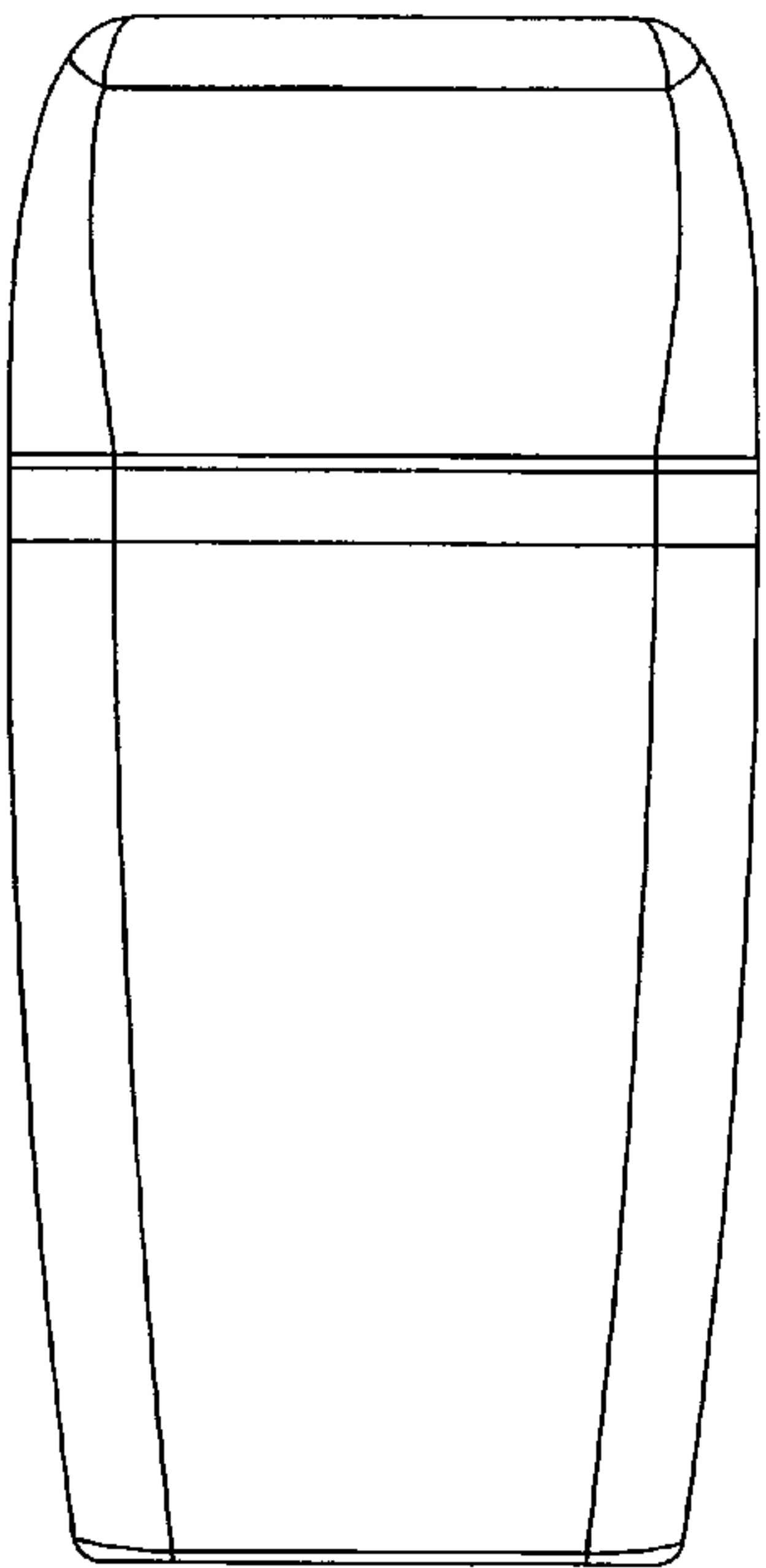


FIG. 2

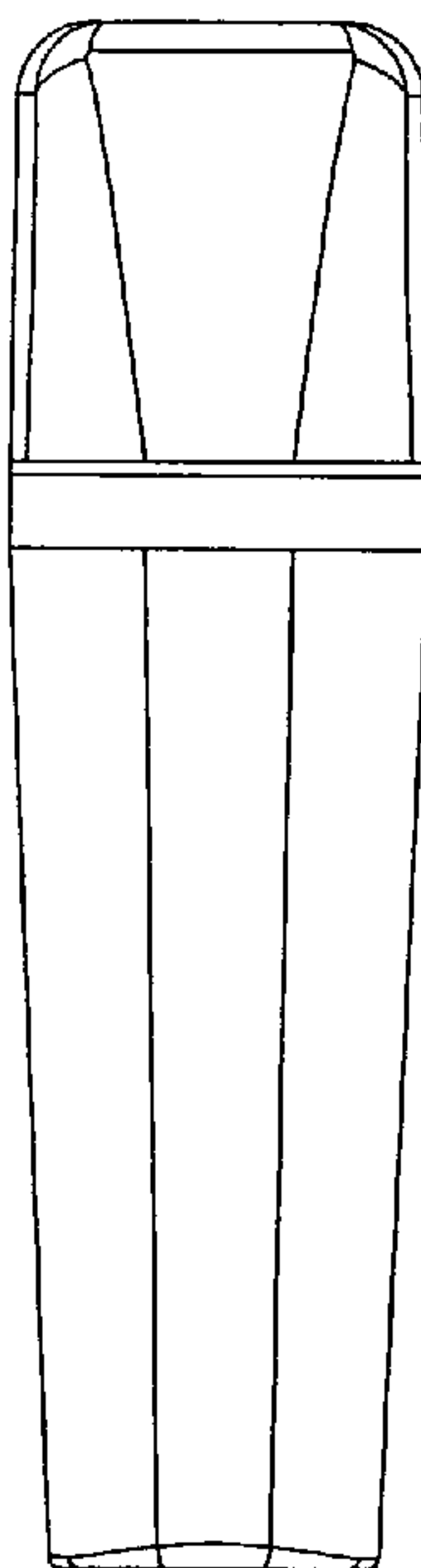


FIG. 3

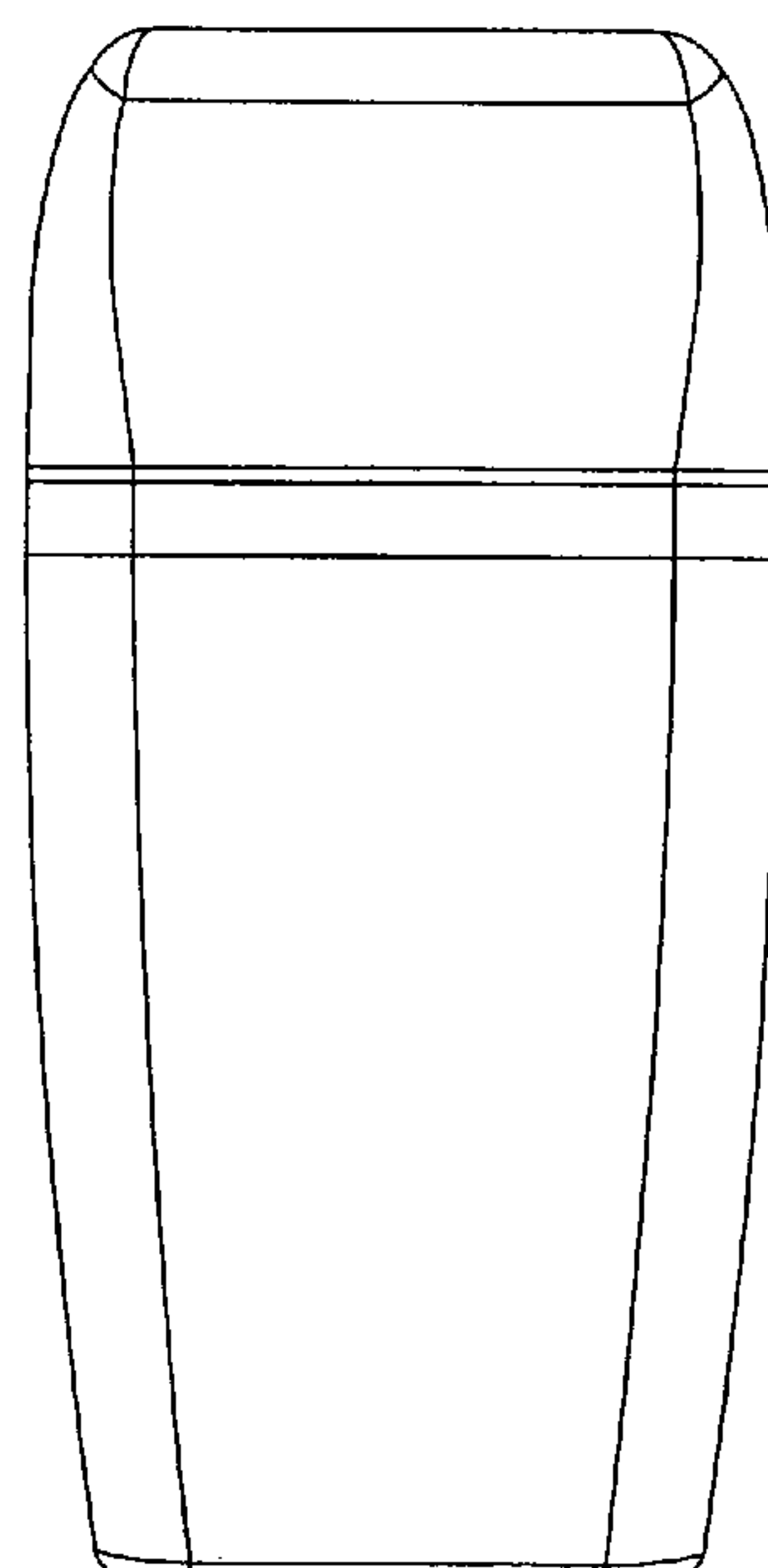


FIG. 4

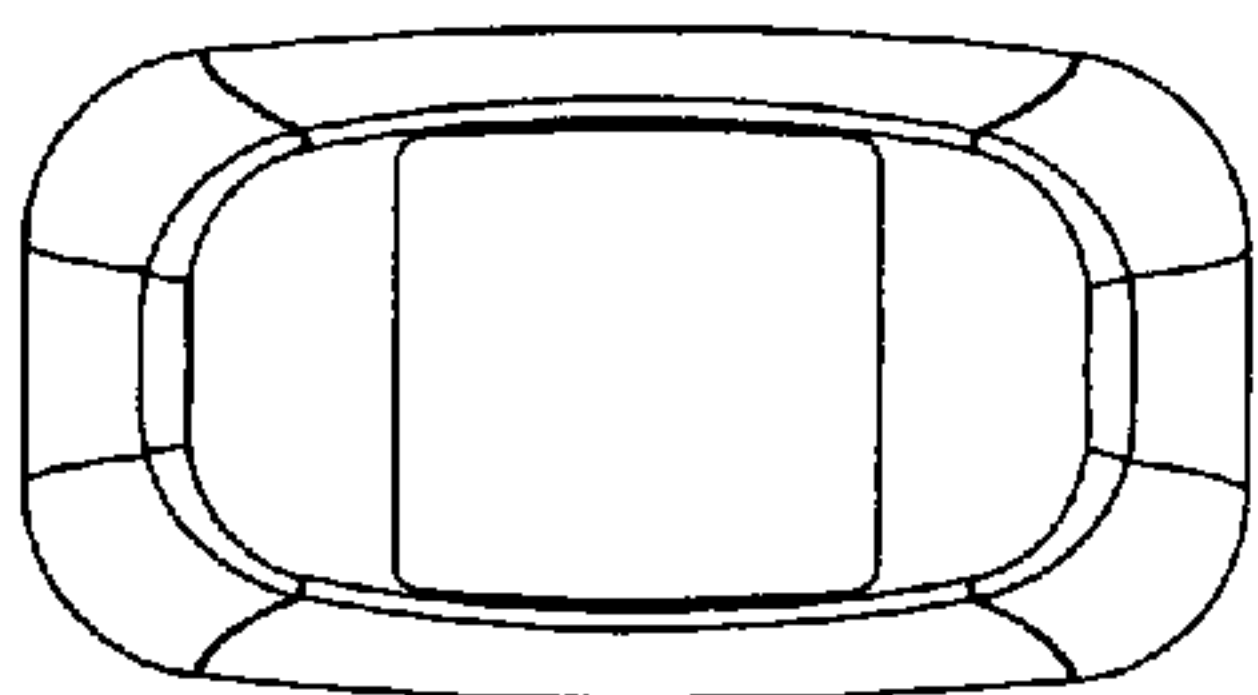


FIG. 6

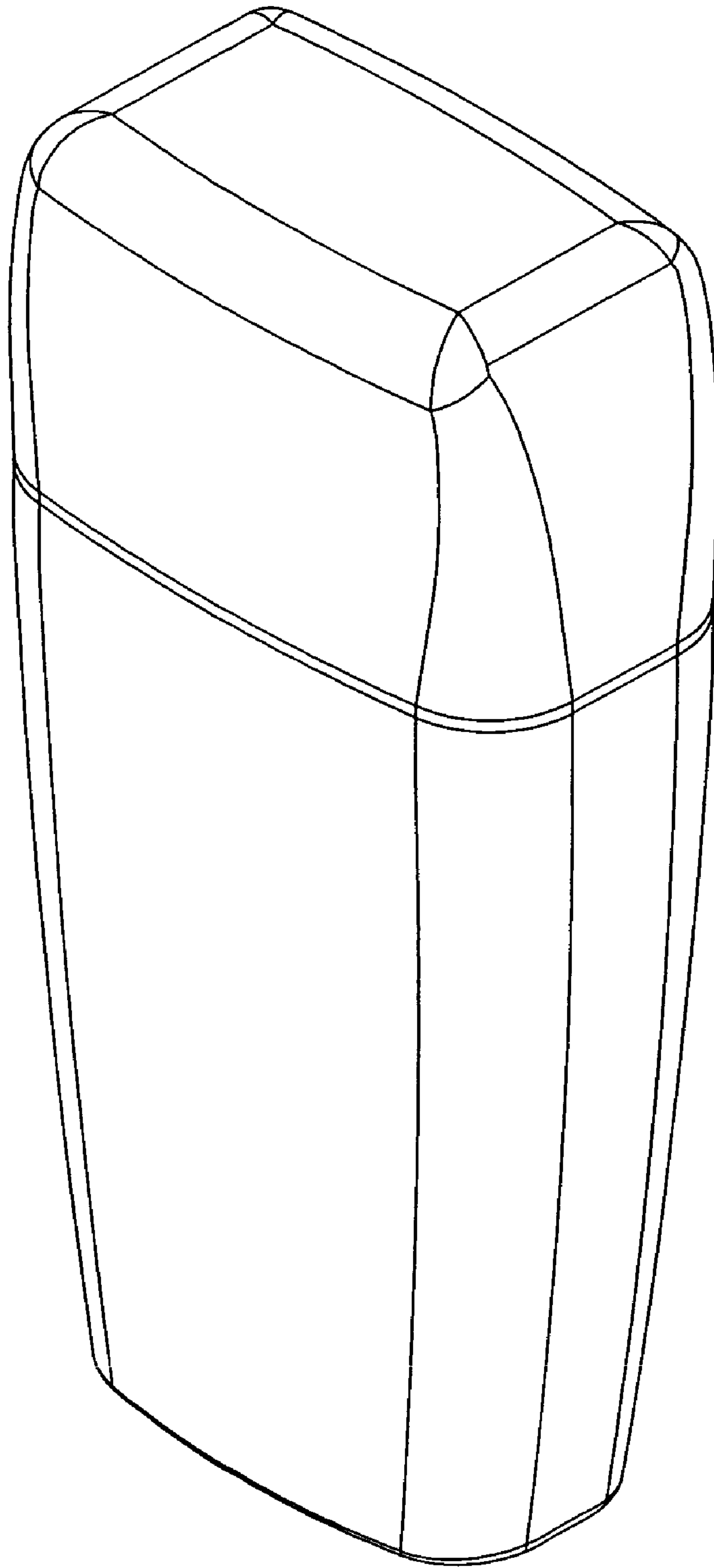


FIG. 7

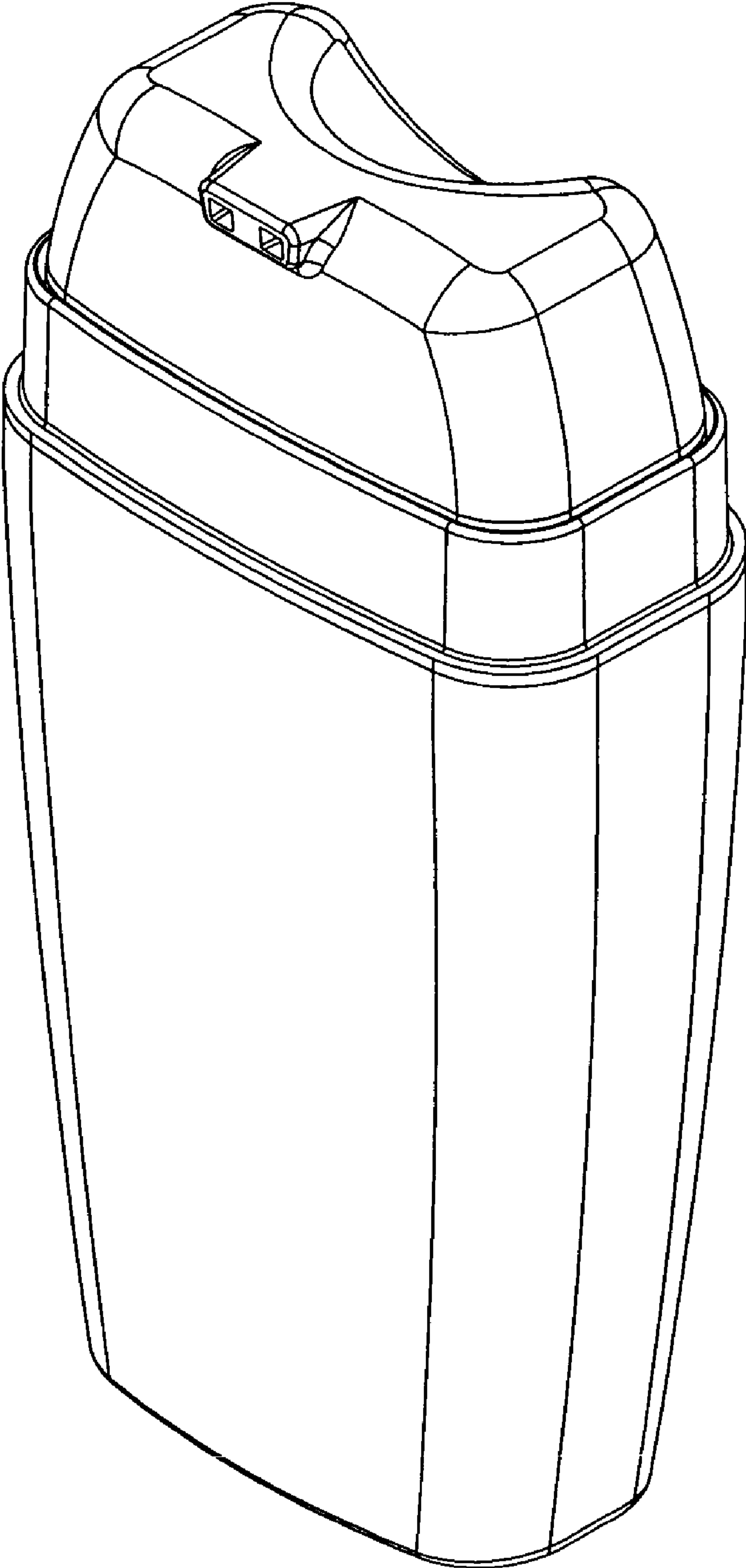


FIG. 8

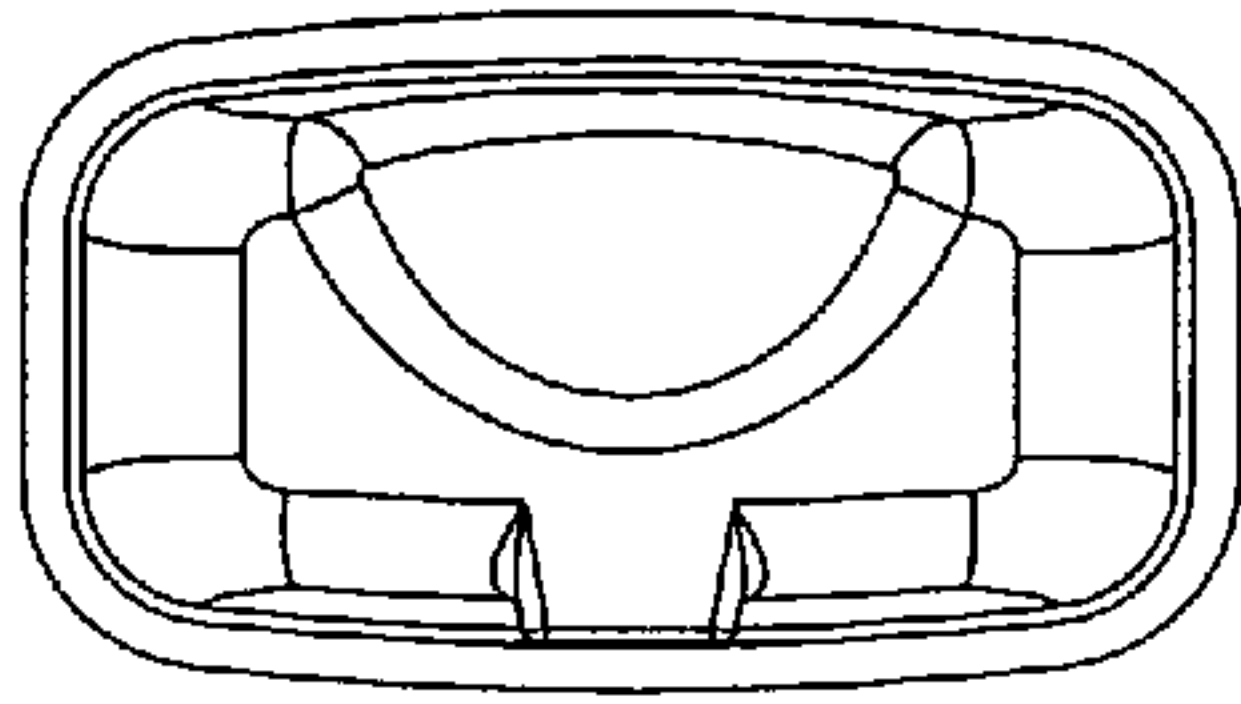


FIG. 12

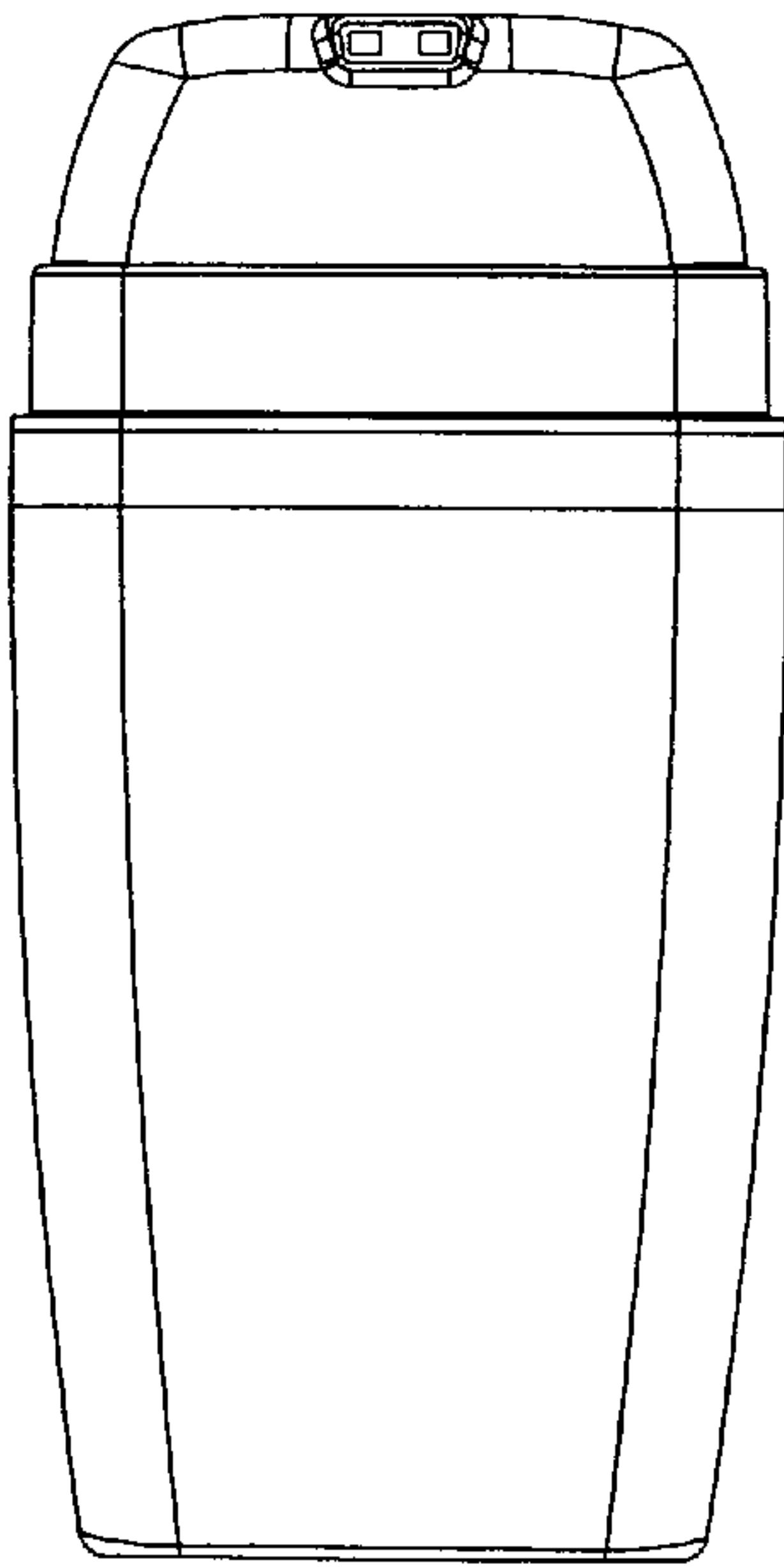


FIG. 9

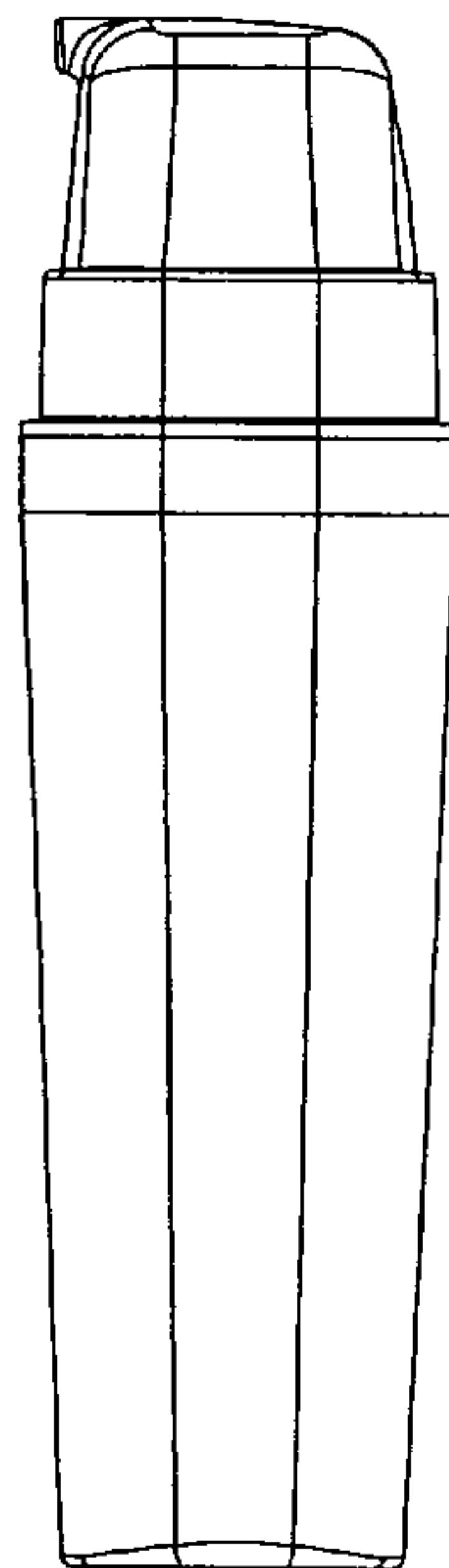


FIG. 10

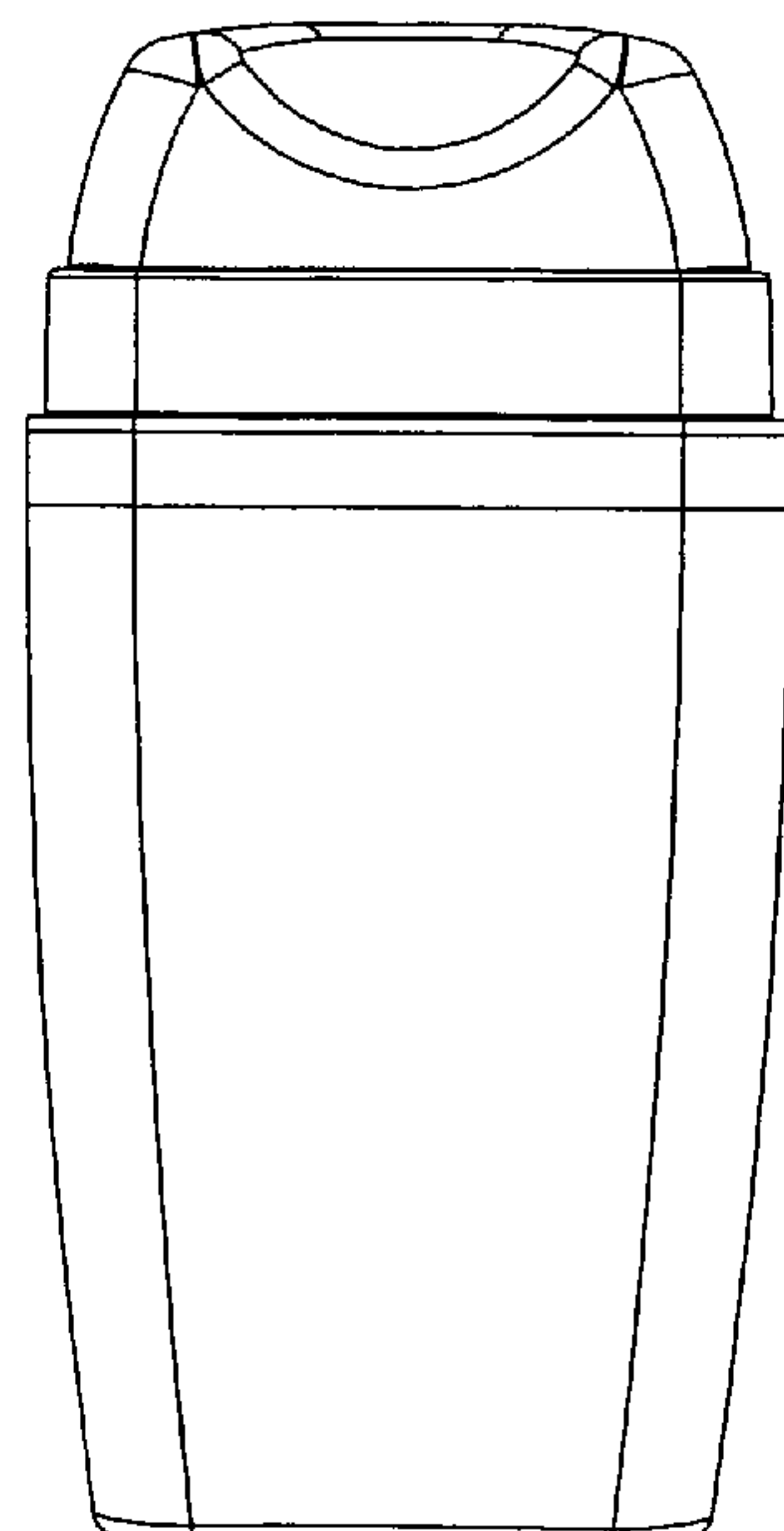


FIG. 11

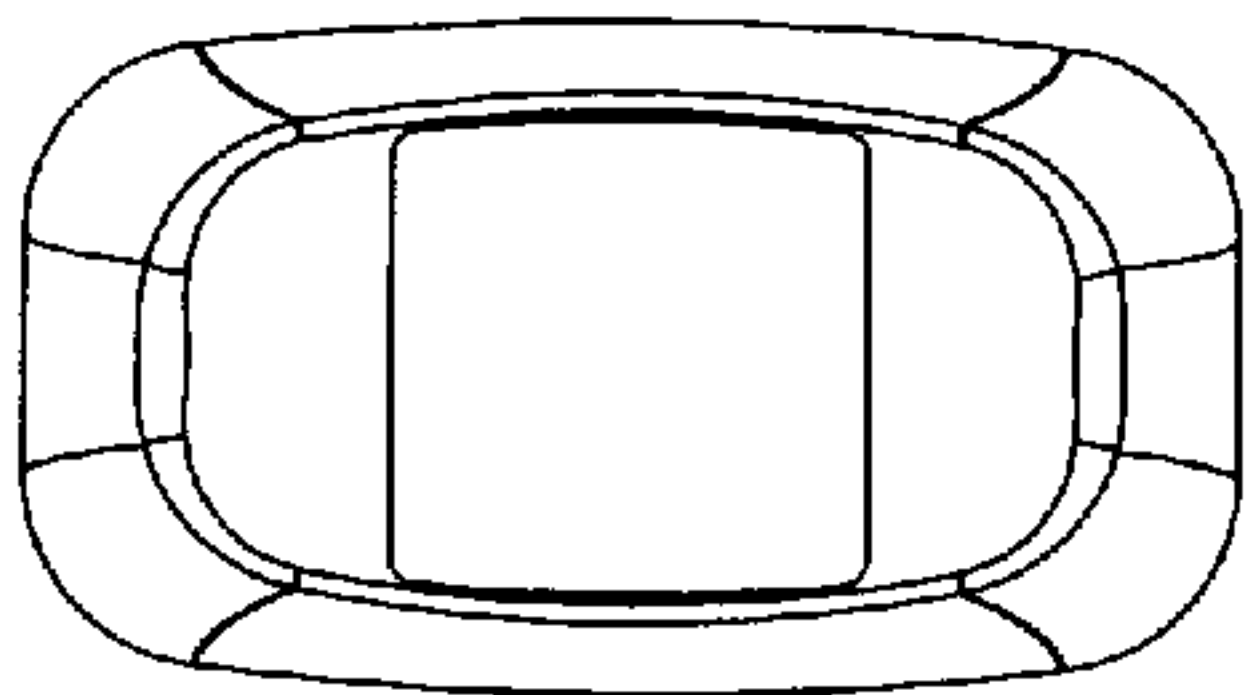


FIG. 13