

US00D543862S

(12) **United States Design Patent**
Miller et al.

(10) **Patent No.:** **US D543,862 S**
(45) **Date of Patent:** **** Jun. 5, 2007**

(54) **PLASTIC CONTAINER**

(75) Inventors: **James J. Miller**, Barberton, OH (US);
J. Steven Little, Wadsworth, OH (US)

(73) Assignee: **Plastipak Packaging, Inc.**, Plymouth,
MI (US)

(**) Term: **14 Years**

(21) Appl. No.: **29/264,265**

(22) Filed: **Aug. 7, 2006**

(51) **LOC (8) Cl.** **09-01**

(52) **U.S. Cl.** **D9/543; D9/570**

(58) **Field of Classification Search** D9/516,
D9/530, 541, 543, 563, 565-566, 569-571,
D9/575; 215/381-385; 220/660, 669, 675
See application file for complete search history.

(56) **References Cited**

U.S. PATENT DOCUMENTS

D370,850 S	*	6/1996	Beaver	D9/543
D372,428 S	*	8/1996	Malmquist	D9/523
D378,058 S	*	2/1997	Meisner et al.	D9/523
D393,211 S	*	4/1998	Mengeu	D9/543
D402,204 S	*	12/1998	Jennings	D9/523
D408,742 S	*	4/1999	Goettner	D9/543
D409,090 S	*	5/1999	Lai et al.	D9/523

D420,918 S	*	2/2000	Hefter et al.	D9/523
D473,794 S	*	4/2003	Ouillet et al.	D9/523
D520,368 S	*	5/2006	Dorn et al.	D9/528
D530,617 S	*	10/2006	Little et al.	D9/543
2006/0207963 A1	*	9/2006	Little et al.	215/384

* cited by examiner

Primary Examiner—Carol Rademaker

Assistant Examiner—Anna Burmeister

(74) *Attorney, Agent, or Firm*—Robert H. Bachman

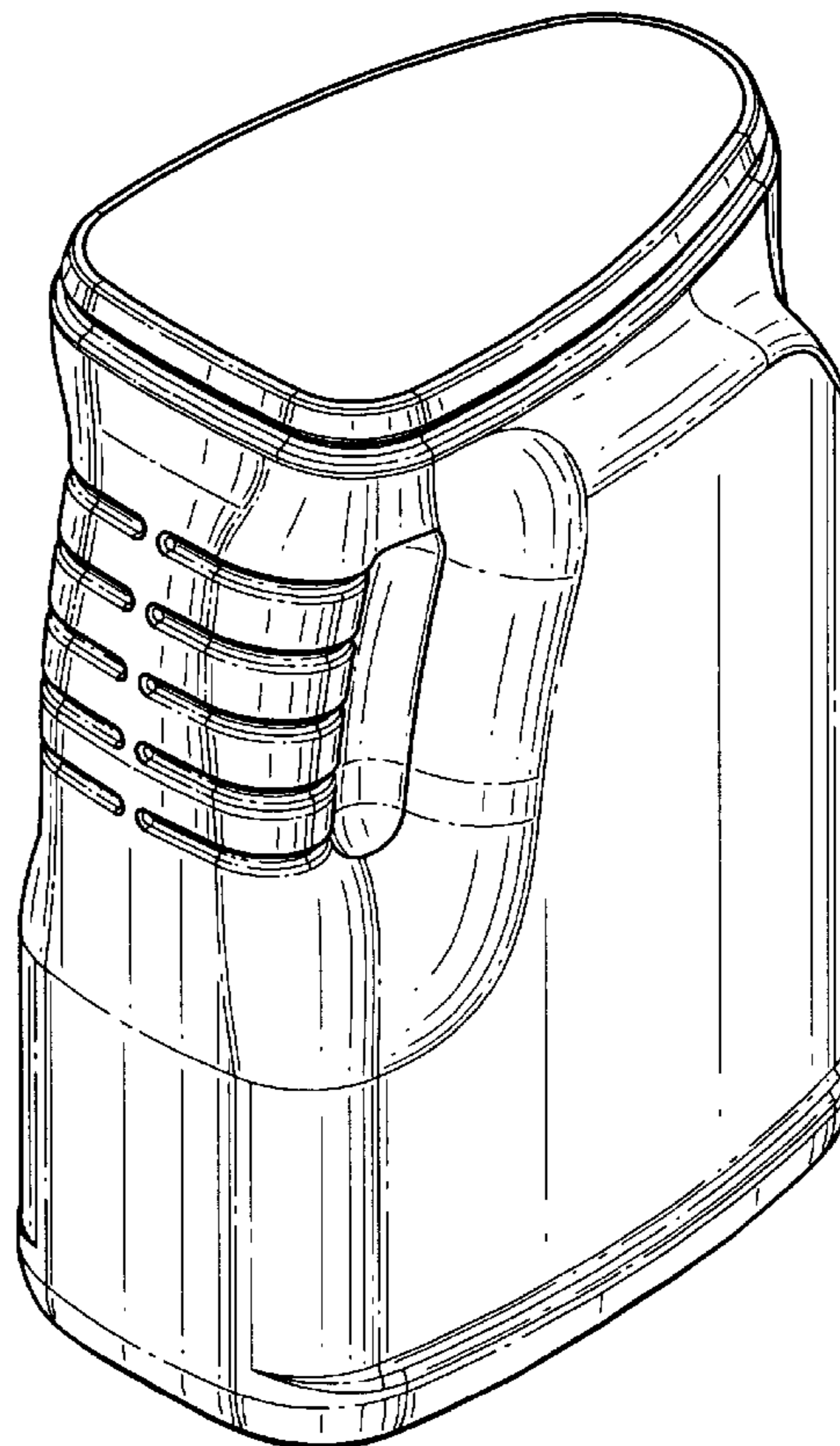
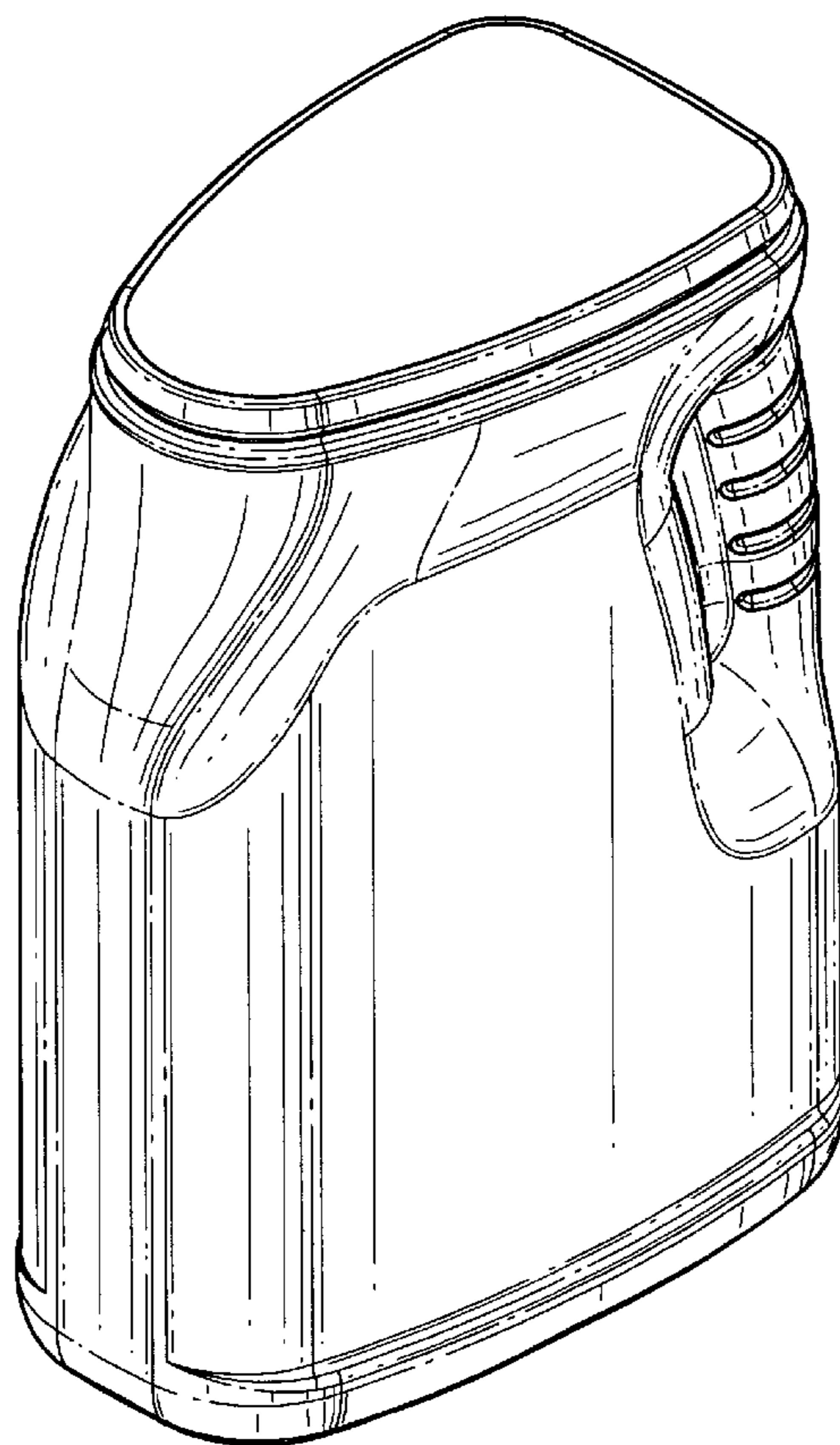
(57) **CLAIM**

The ornamental design for a plastic container, as shown and described.

DESCRIPTION

FIG. 1 is a perspective view of a plastic container showing the front and left side of our new design; FIG. 2 is rear and right side perspective view thereof; FIG. 3 is a right side elevational view thereof; FIG. 4 is a left side elevational view thereof; FIG. 5 is a front elevational view thereof; FIG. 6 is a rear elevational view thereof; and FIG. 7 is a top plan view thereof; and, FIG. 8 is a bottom plan view thereof. The broken lines shown in the drawings are for illustrative purposes only and form no part of the claimed design.

1 Claim, 3 Drawing Sheets



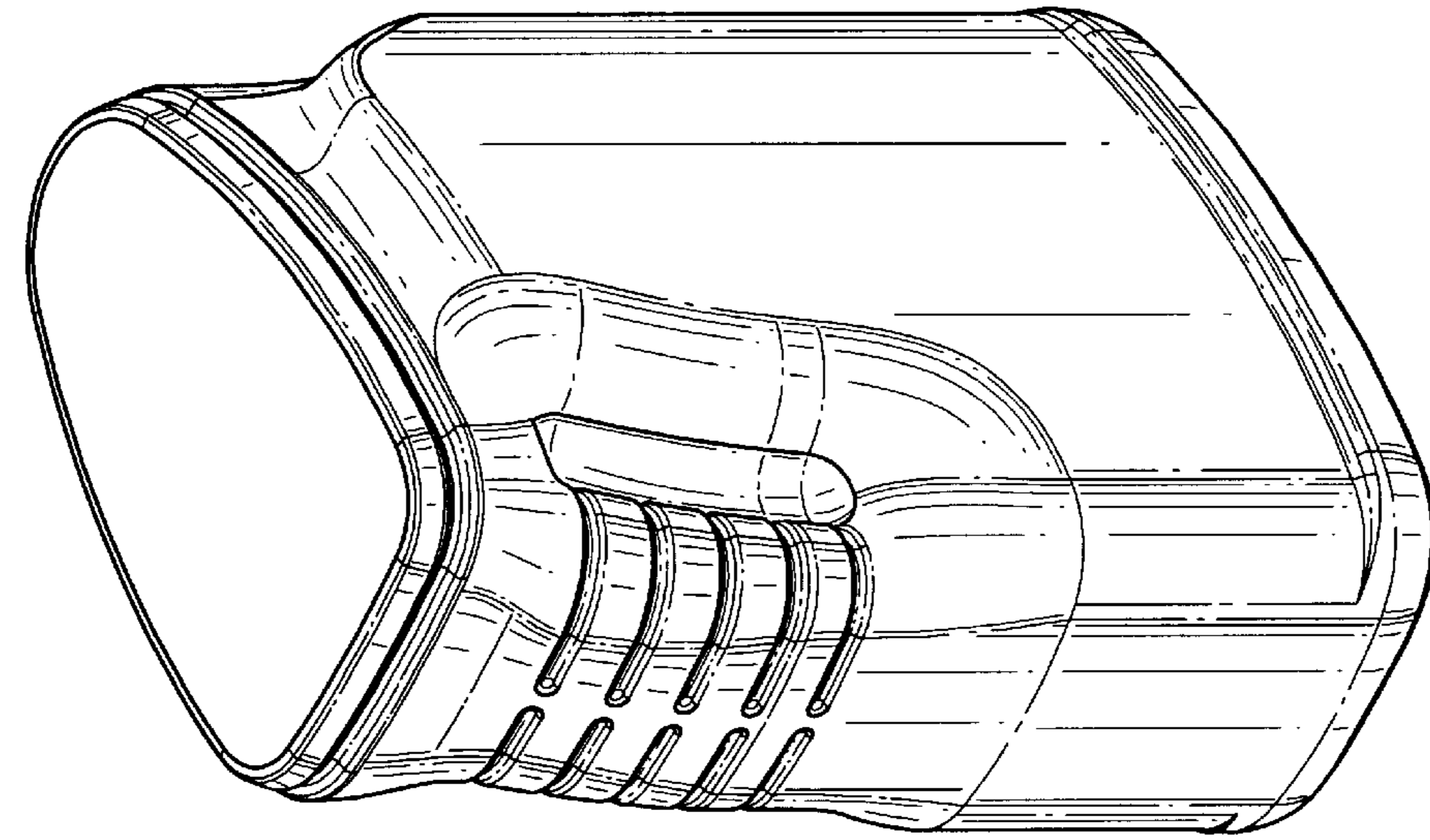


FIG. 2

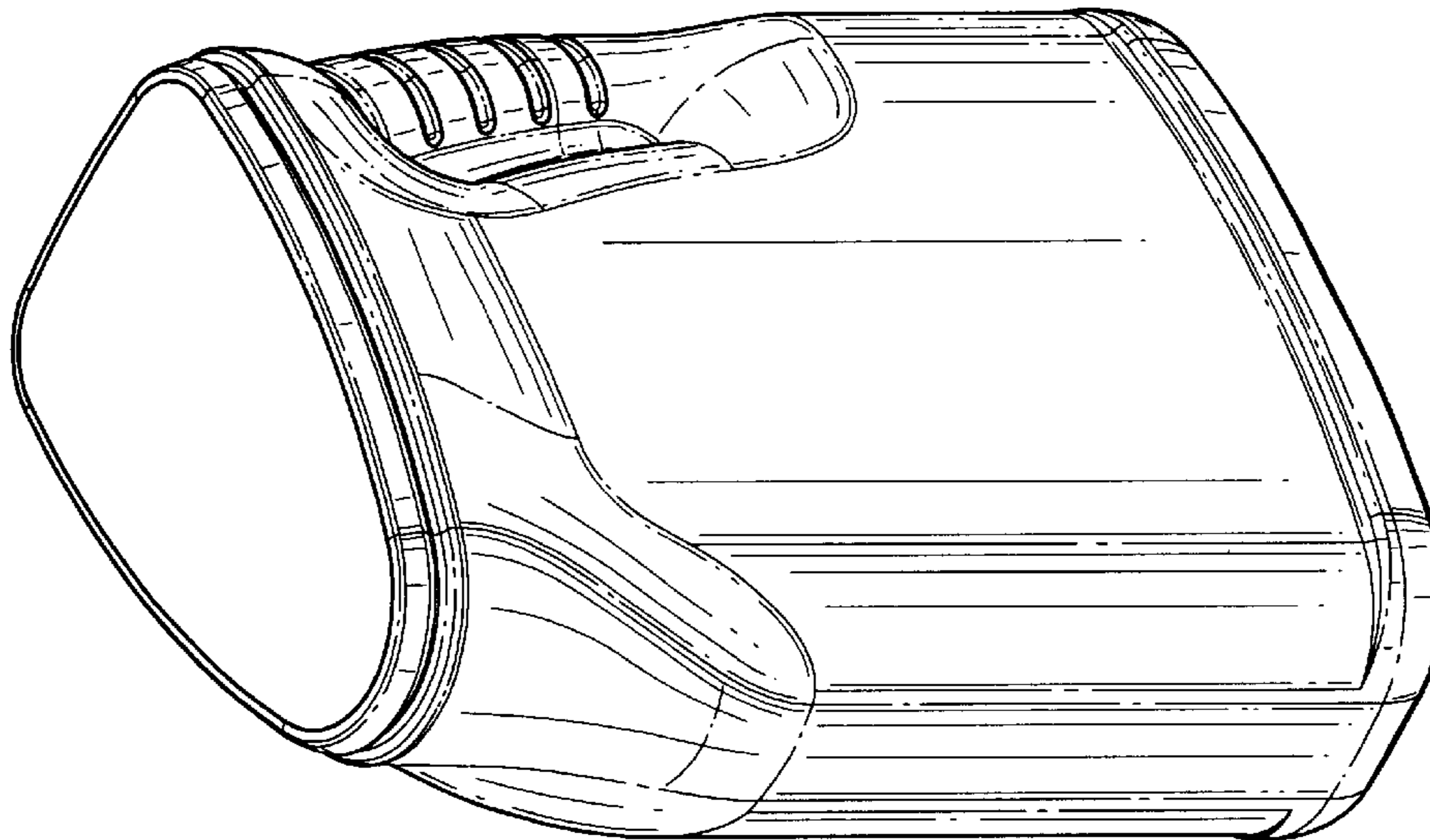


FIG. 1

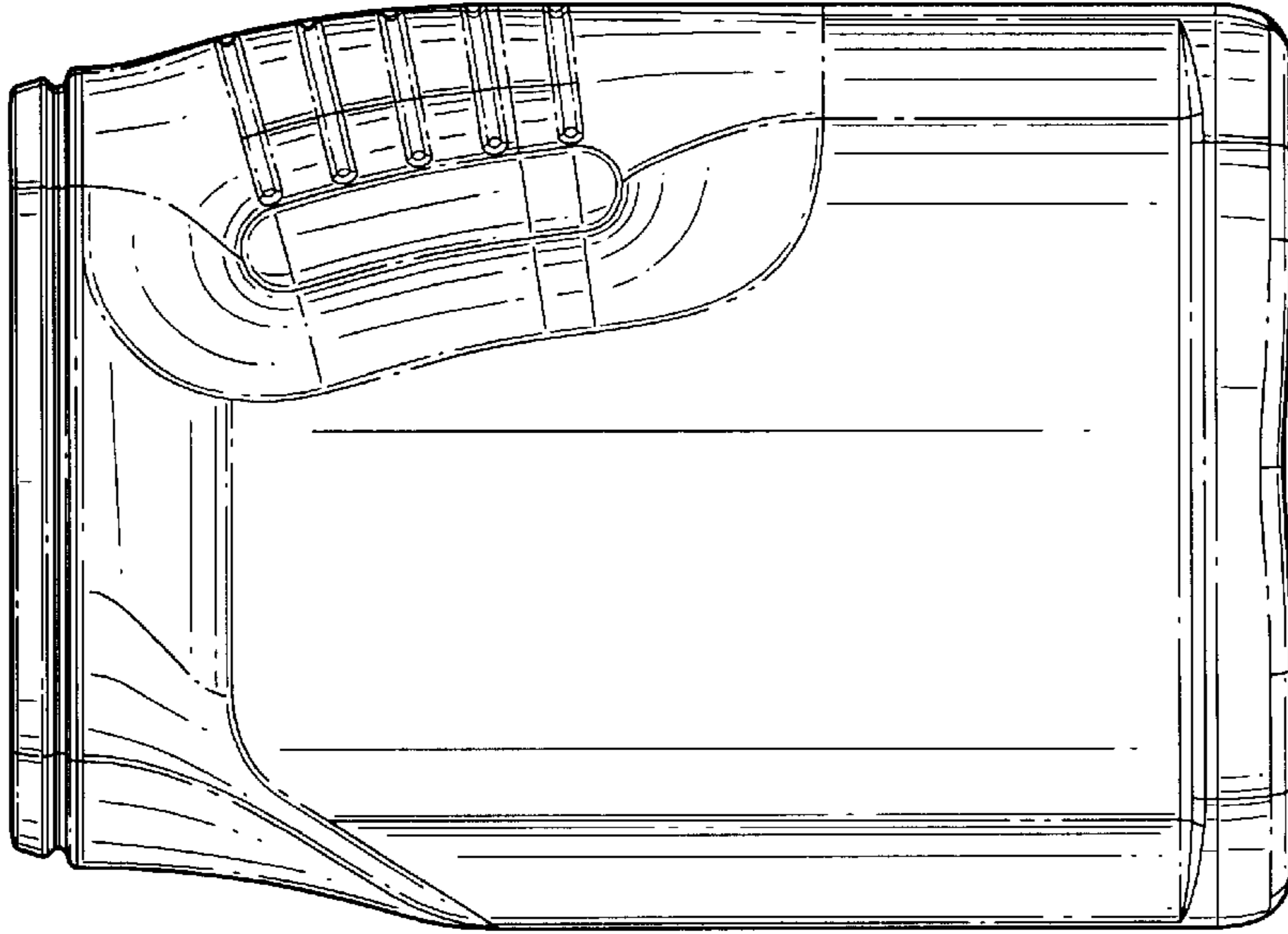


FIG. 4

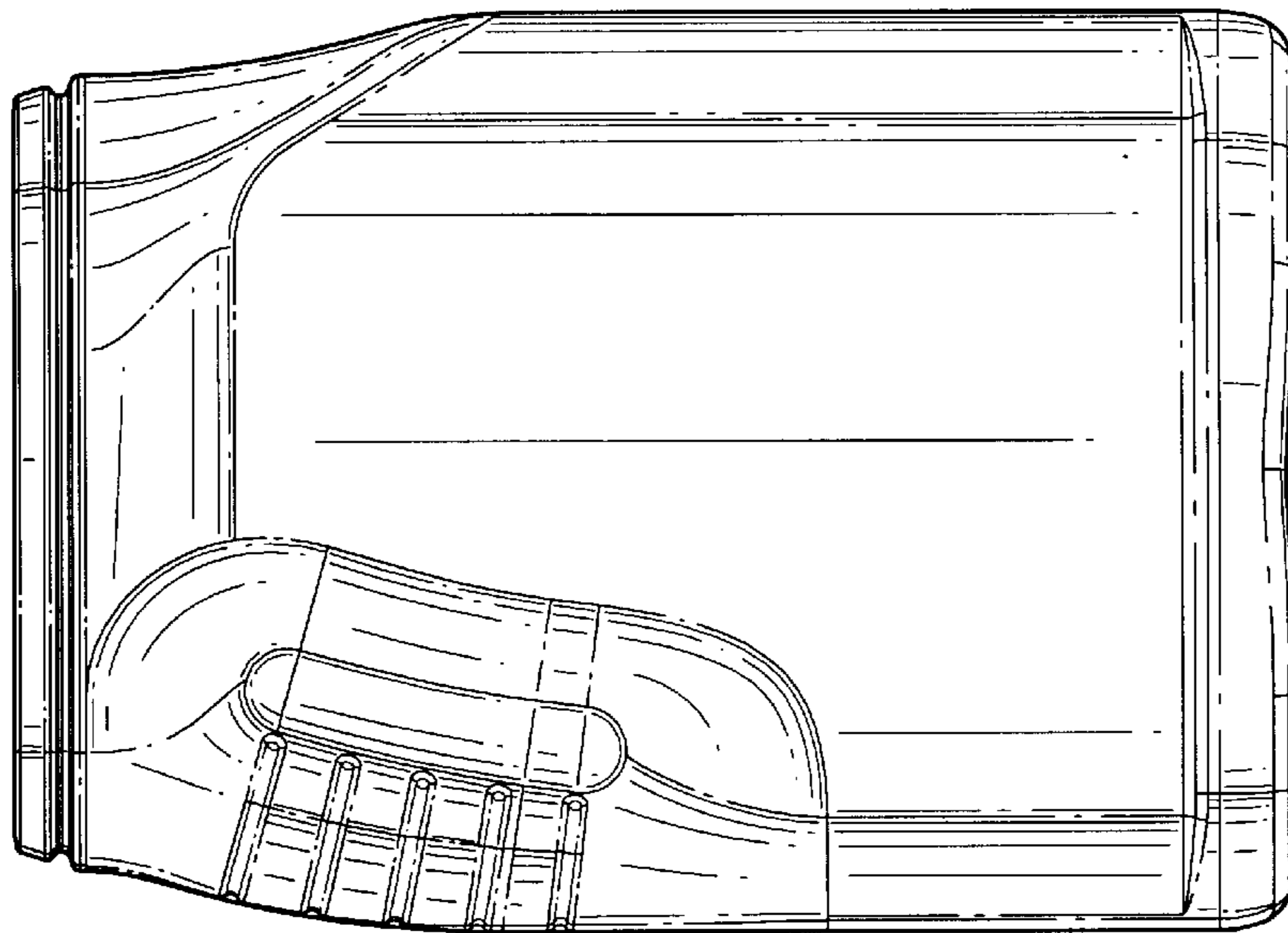


FIG. 3

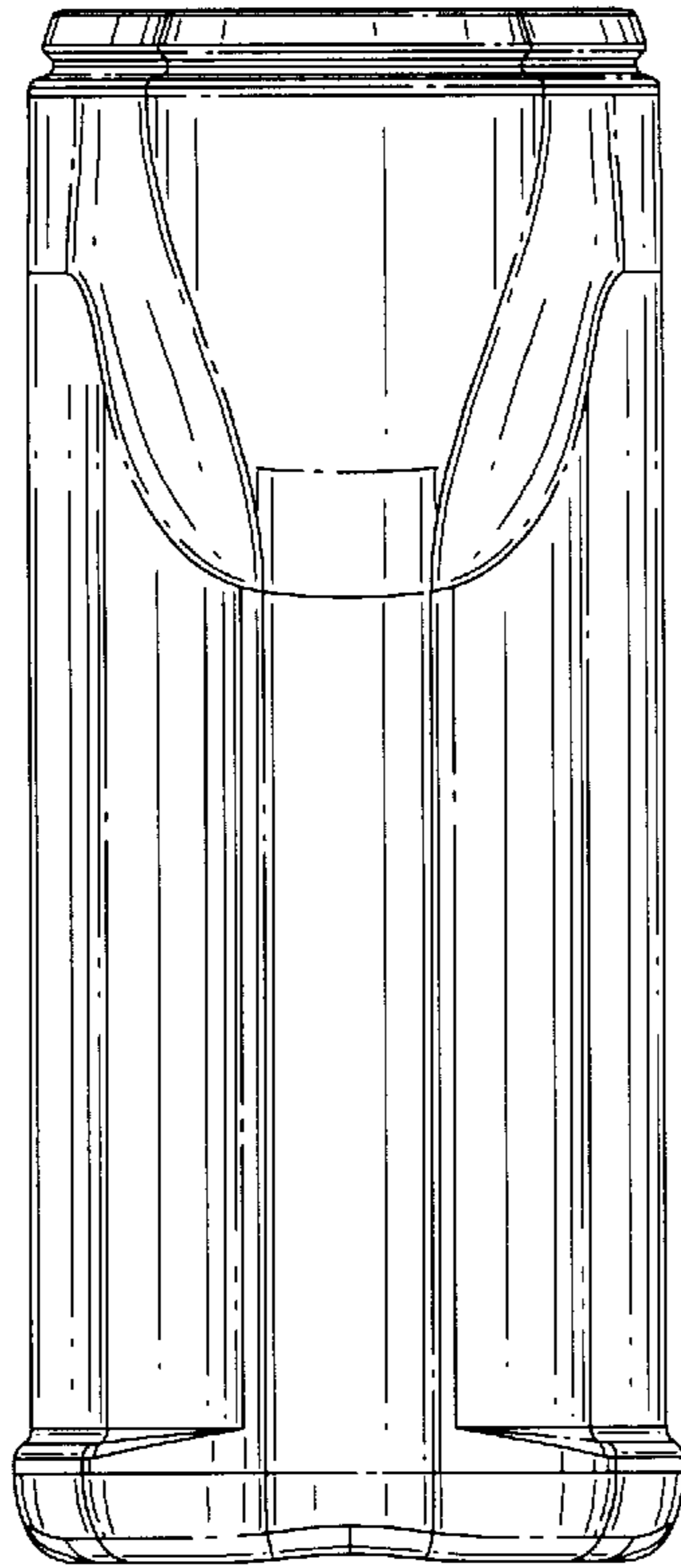


FIG. 5

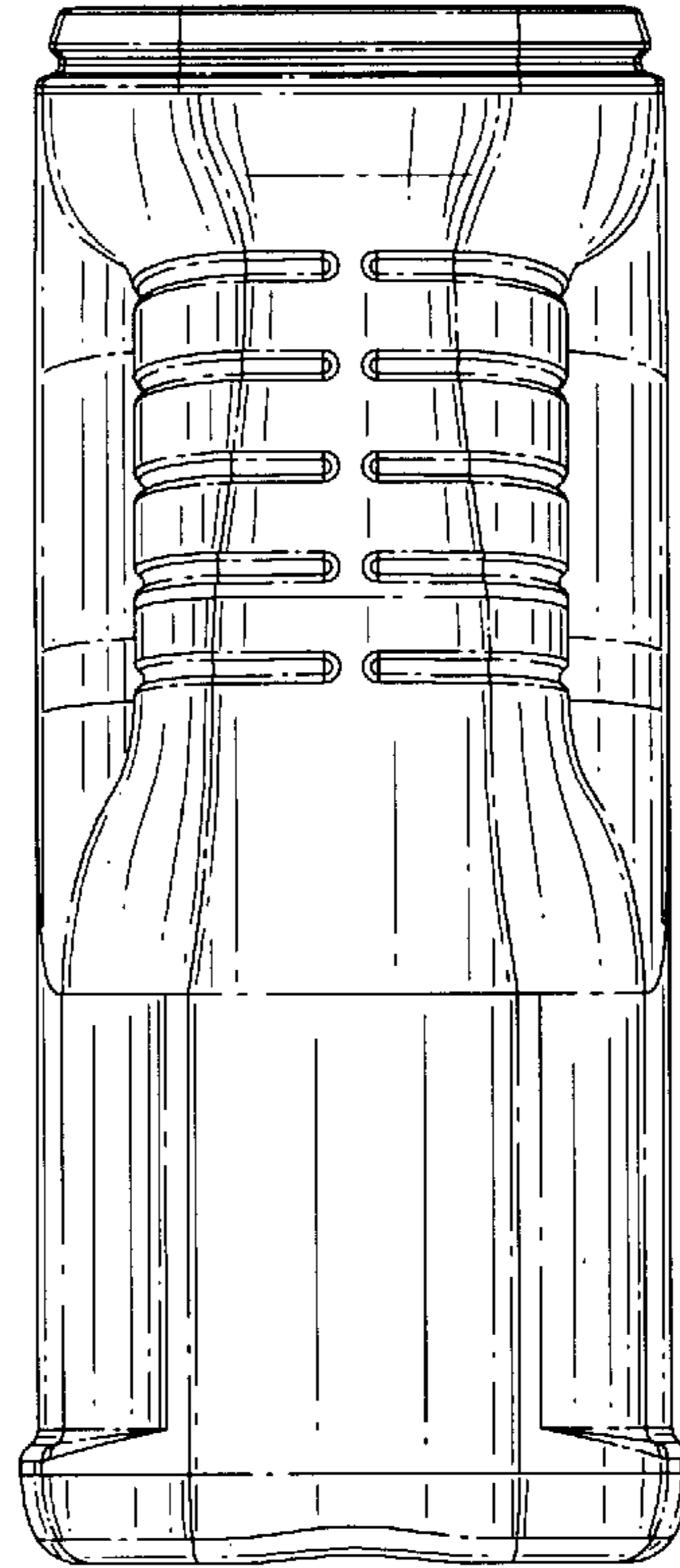


FIG. 6

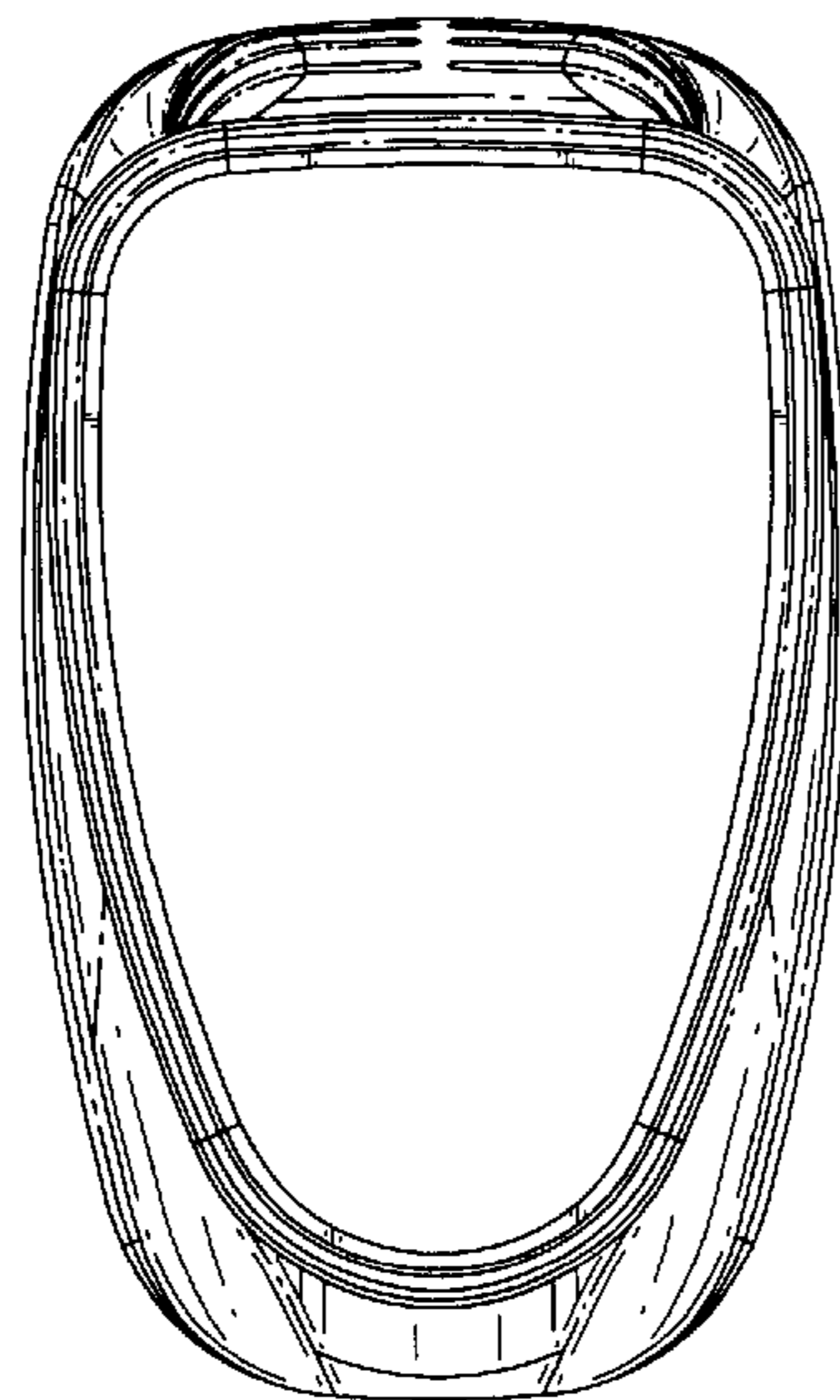


FIG. 7

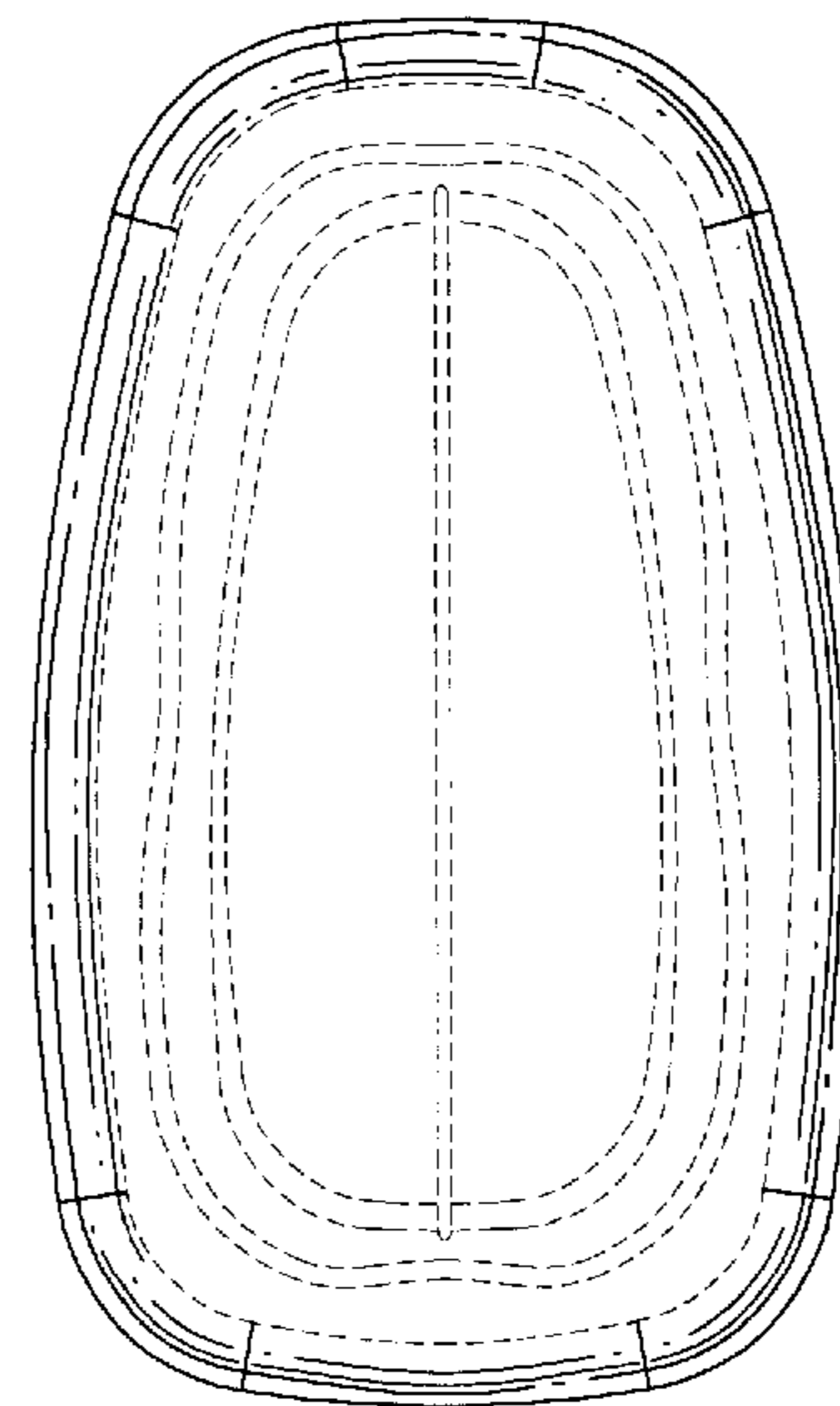


FIG. 8