



US00D543857S

(12) **United States Design Patent**
Shu

(10) **Patent No.:** **US D543,857 S**
(45) **Date of Patent:** **** Jun. 5, 2007**

(54) **CONTAINER**

(75) Inventor: **Anthony Hou on Shu**, Lagos (NG)

(73) Assignee: **Rensan Holdings Limited**, Nassau (BS)

(**) Term: **14 Years**

(21) Appl. No.: **29/251,202**

(22) Filed: **Jan. 5, 2006**

(30) **Foreign Application Priority Data**

Aug. 29, 2005 (CH) 132119

(51) **LOC (8) Cl.** **09-01**

(52) **U.S. Cl.** **D9/529**

(58) **Field of Classification Search** D9/529,
D9/516, 549, 504, 438, 428; D28/76, 91,
D28/82; D7/629, 602
See application file for complete search history.

(56) **References Cited**

U.S. PATENT DOCUMENTS

D248,204 S	*	6/1978	Daenen	D7/591
D313,353 S	*	1/1991	Hart et al.	D9/428
D316,961 S	*	5/1991	Hoening	D9/504
D321,318 S	*	11/1991	Gunter	D9/780
D339,958 S	*	10/1993	Olsen et al.	D7/392.1
D350,068 S	*	8/1994	Schwartzburg	D9/434
D353,766 S	*	12/1994	Thorso	D9/428

D359,903 S	*	7/1995	Arshinoff et al.	D9/428
D442,860 S	*	5/2001	Symons et al.	D9/428
D469,352 S	*	1/2003	Conti	D9/428
D477,225 S	*	7/2003	Pinnavaia	D9/454
D493,334 S	*	7/2004	Yang et al.	D7/629
D493,677 S	*	8/2004	Meyer	D7/629
D518,728 S	*	4/2006	Frantz	D9/504

* cited by examiner

Primary Examiner—Stella Reid

Assistant Examiner—Elizabeth J. Oswecki

(74) *Attorney, Agent, or Firm*—Baker & McKenzie LLP;
David I. Roche; Daniel A. Tallitsch

(57) **CLAIM**

The ornamental design for a container, as shown and described above.

DESCRIPTION

FIG. 1 is a perspective view of a container embodying my invention;

FIG. 2 is a top plan view of a container embodying my invention;

FIG. 3 is a bottom plan view thereof;

FIG. 4 is a front elevational view thereof;

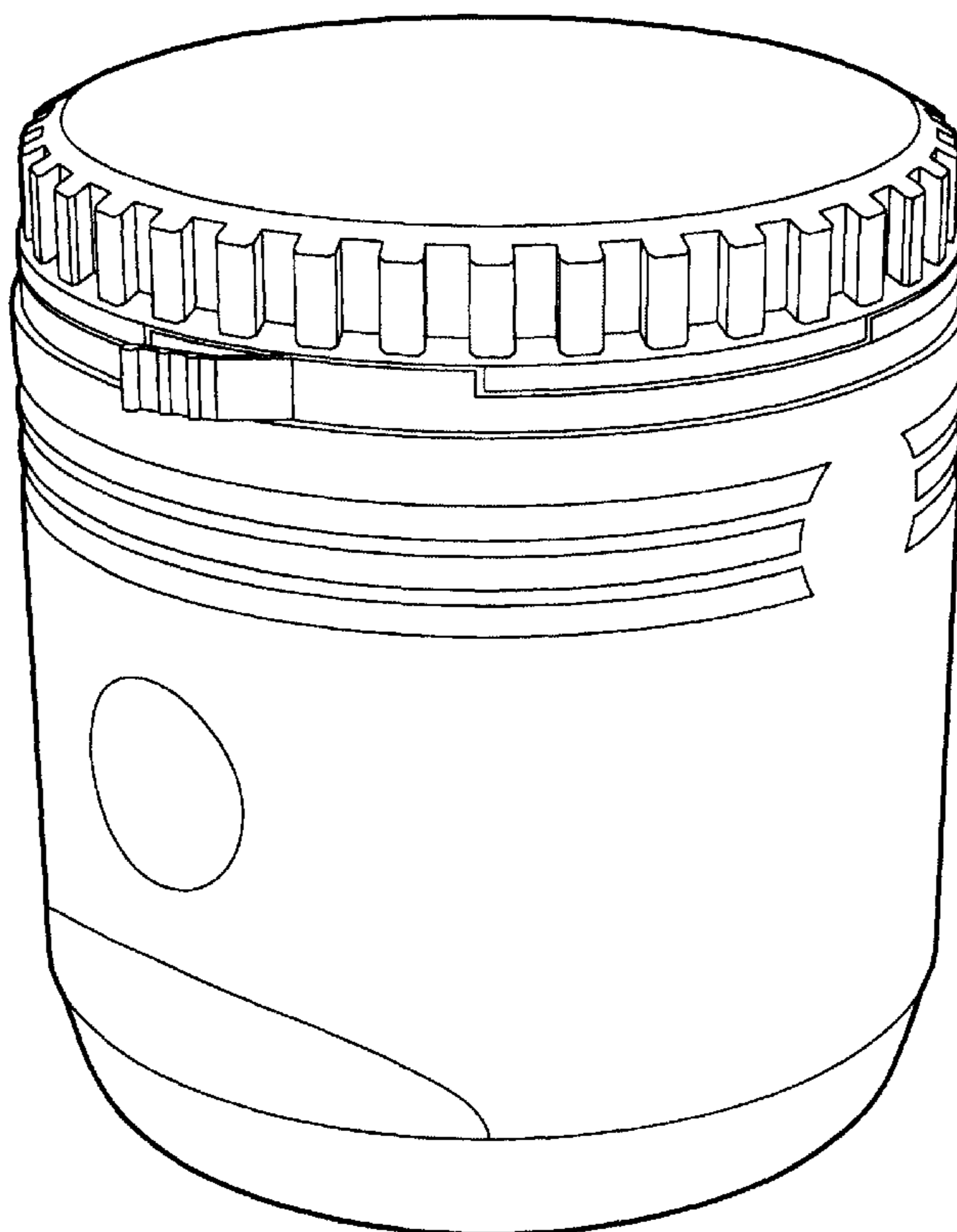
FIG. 5 is a left side elevational view thereof;

FIG. 6 is a rear elevational view thereof;

FIG. 7 is a right side elevational view thereof; and,

FIG. 8 is an exploded elevational view thereof.

1 Claim, 8 Drawing Sheets



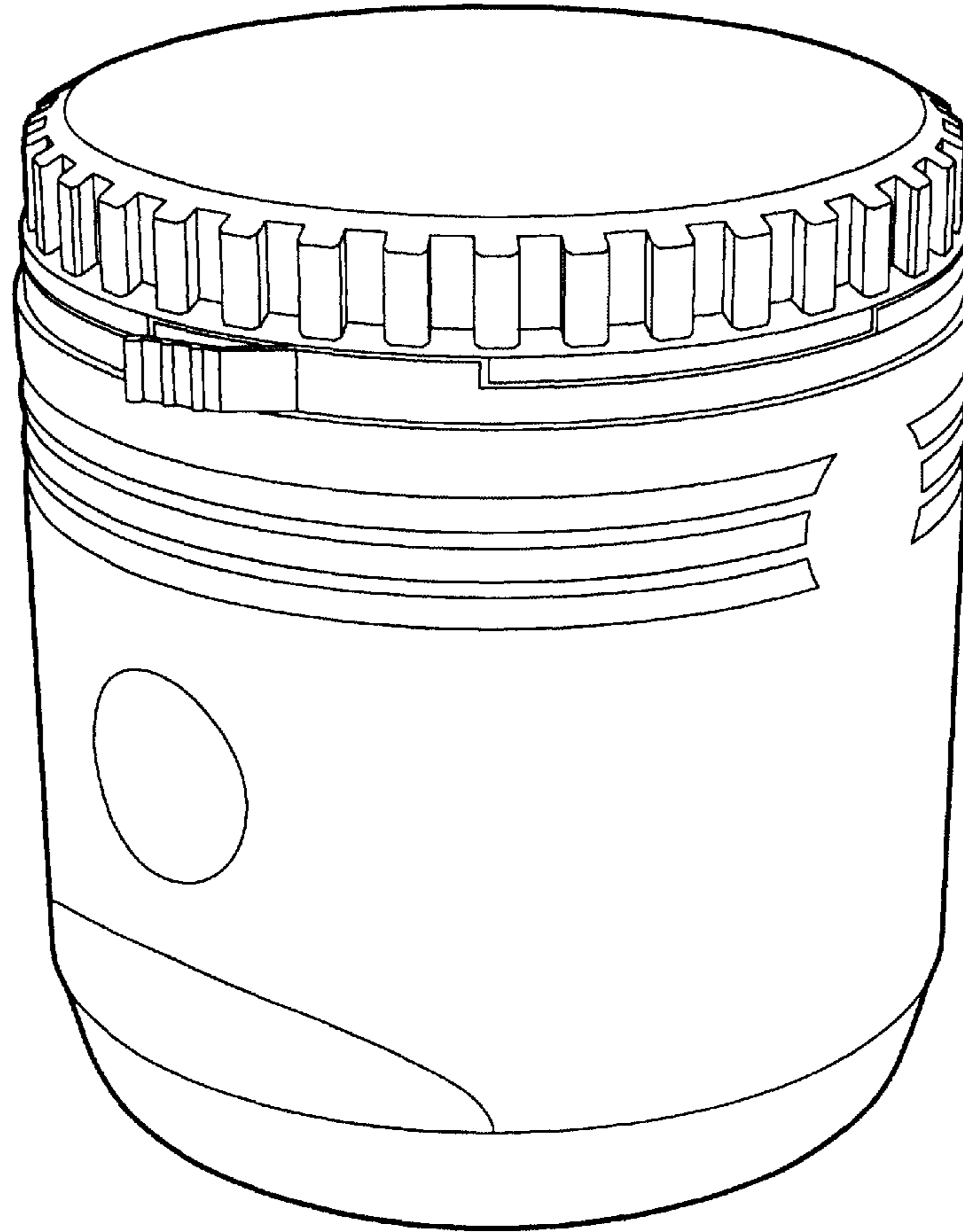


Fig. 1

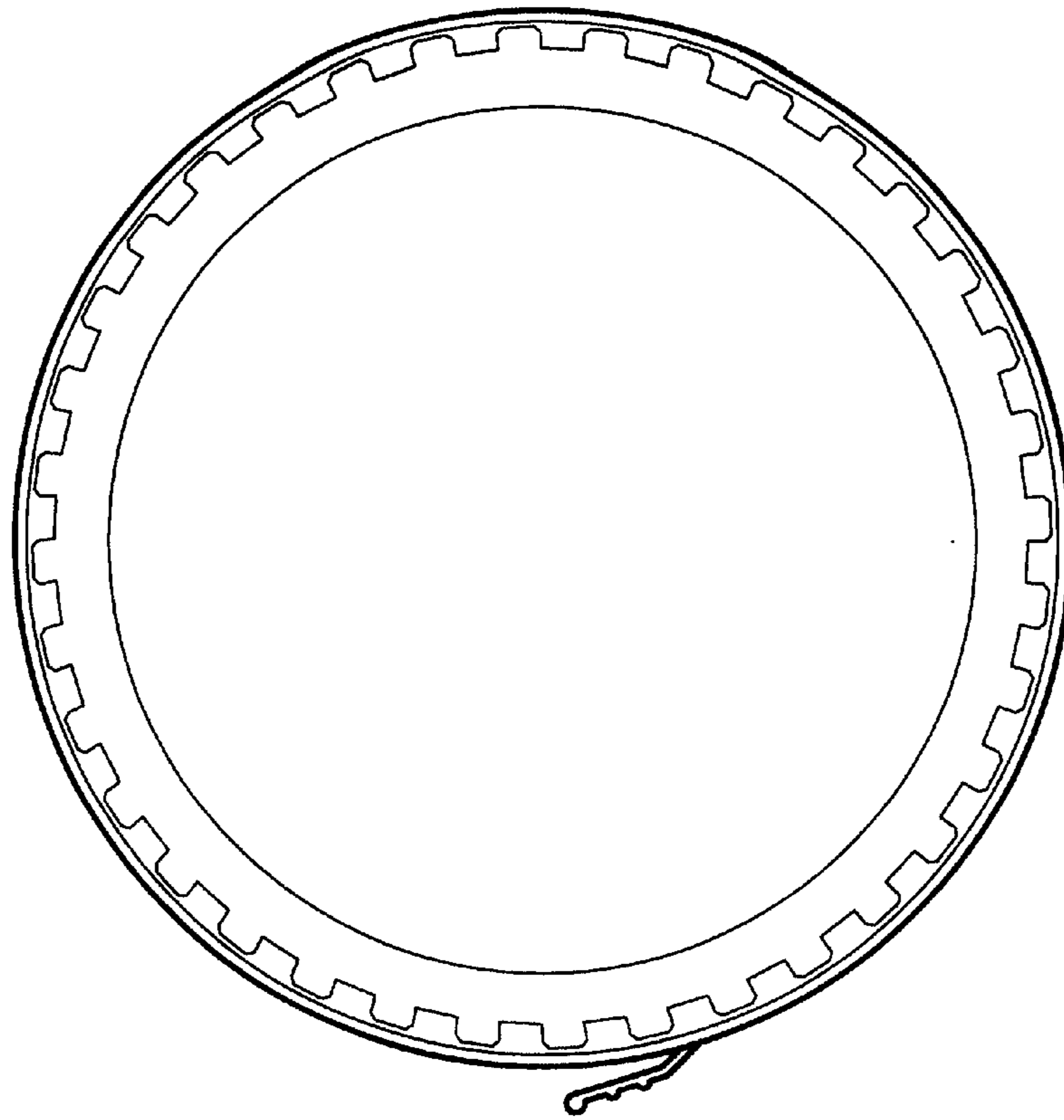


Fig. 2

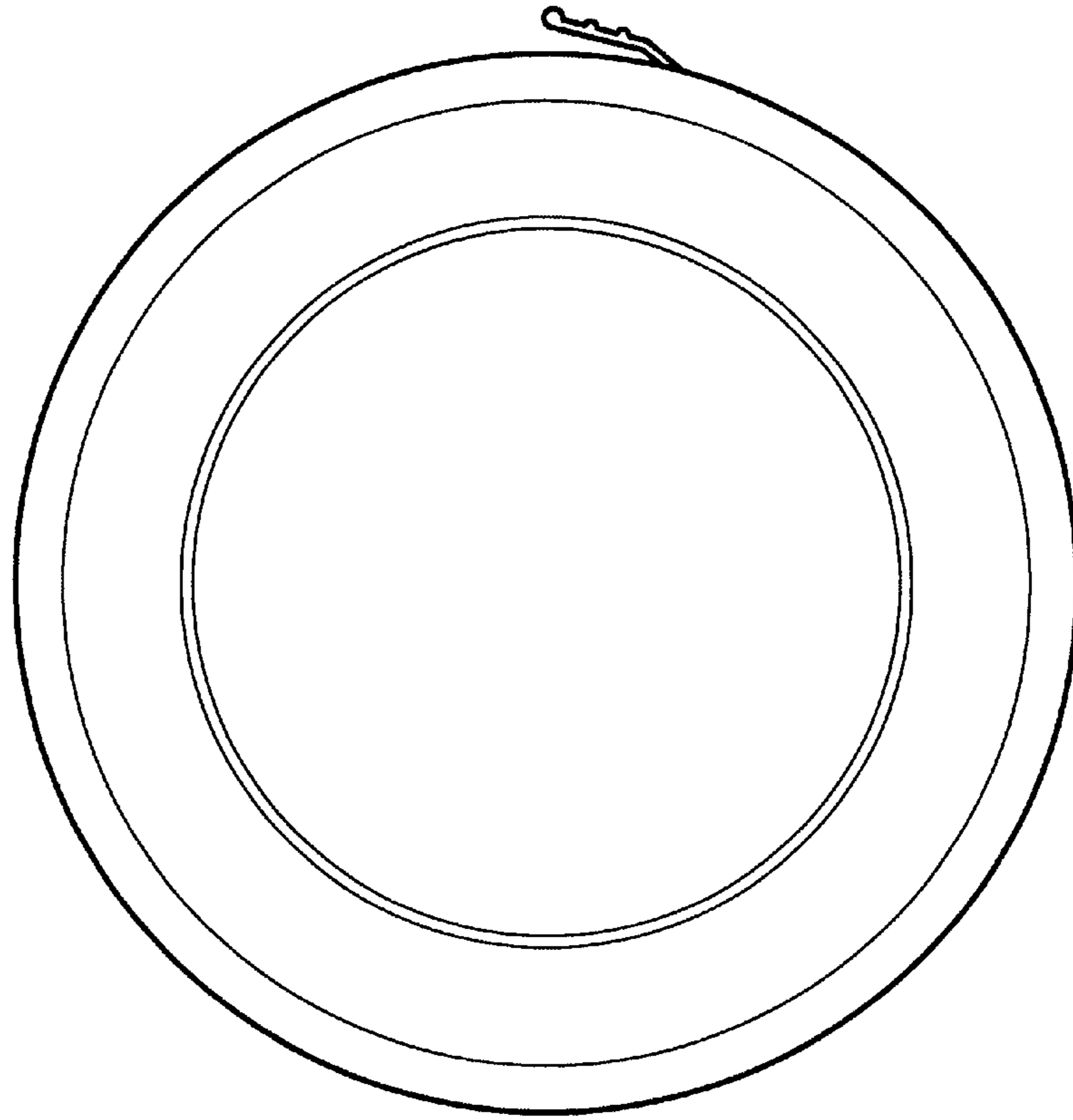


Fig. 3

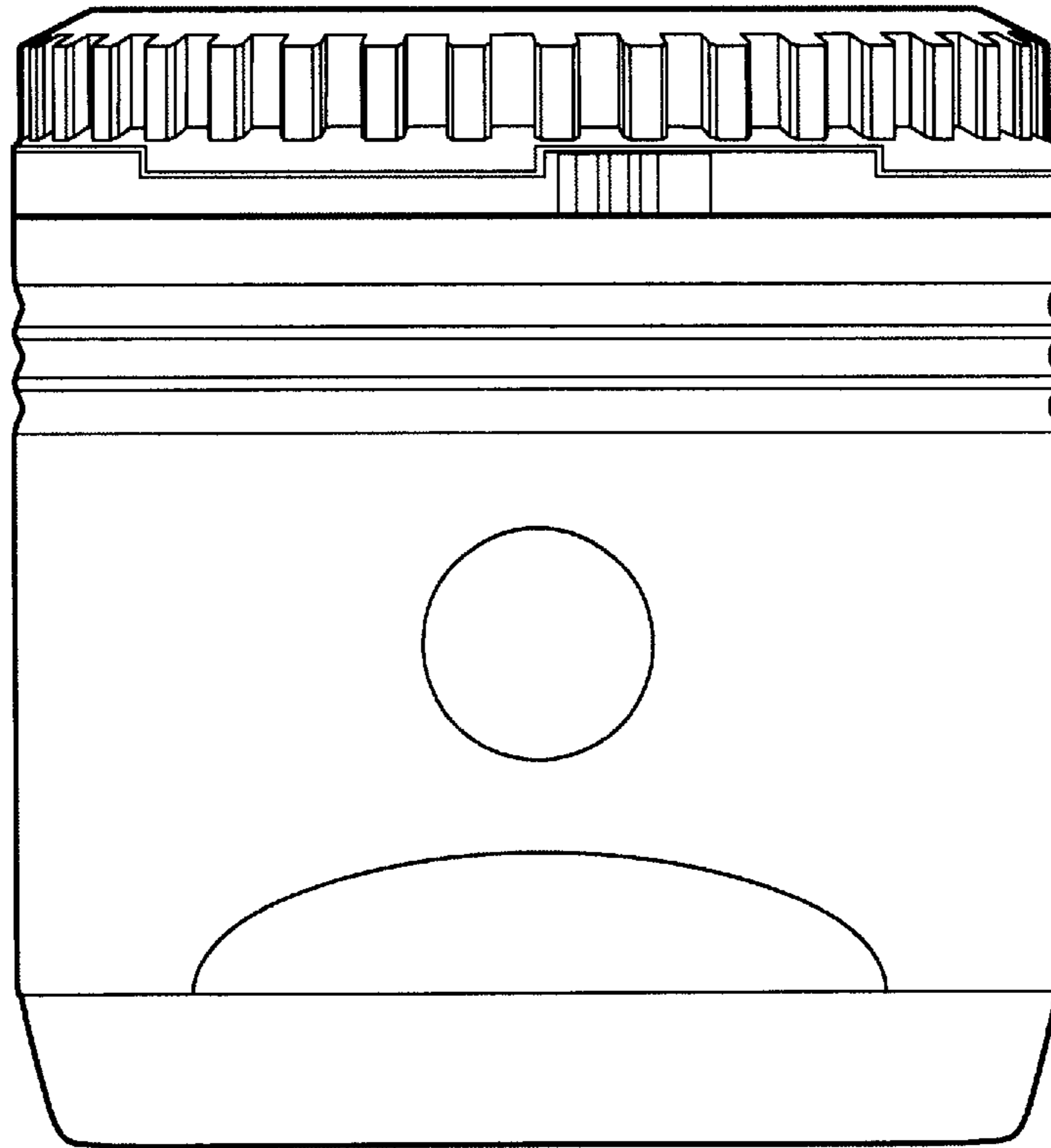


Fig. 4

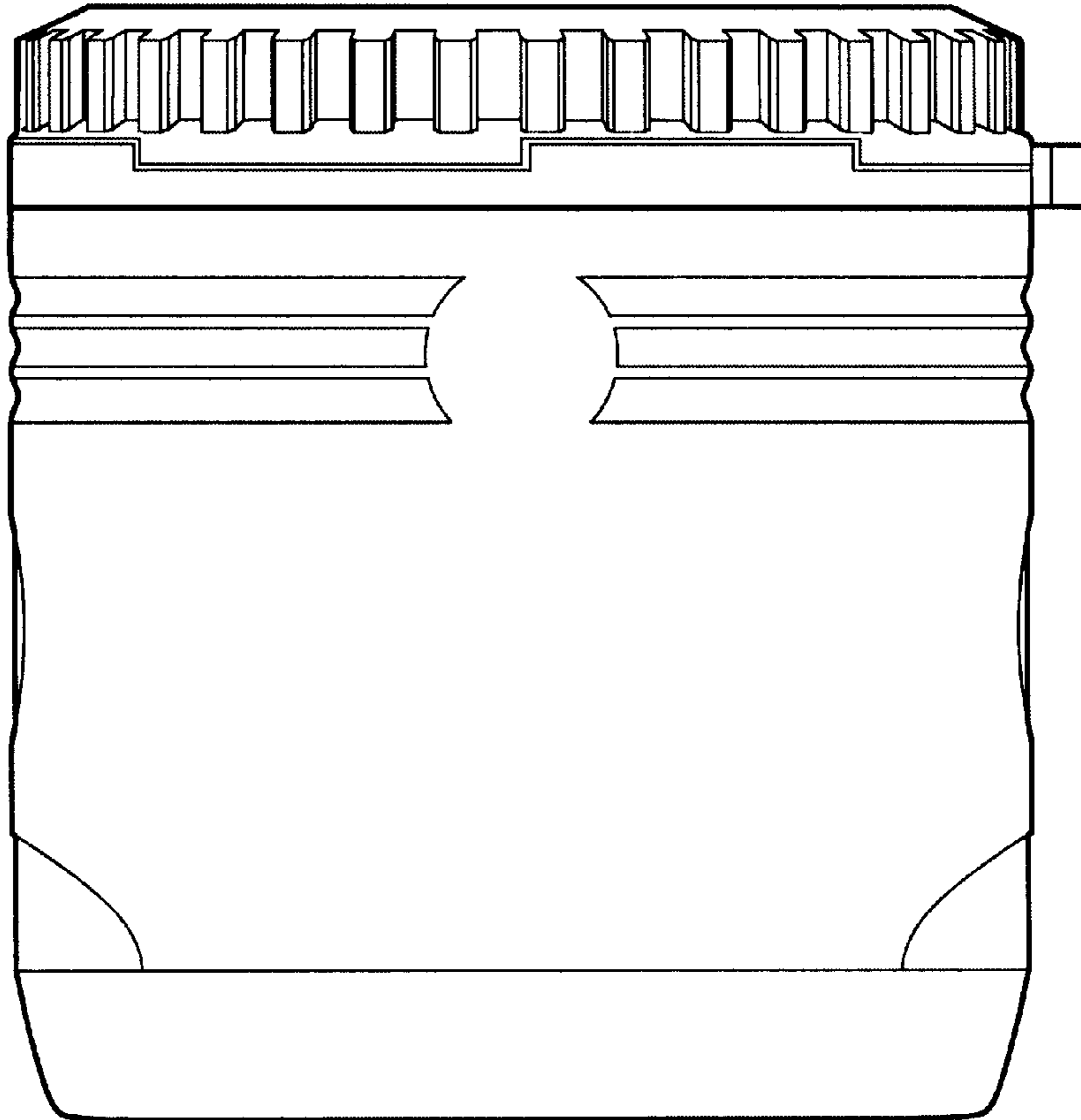


Fig. 5

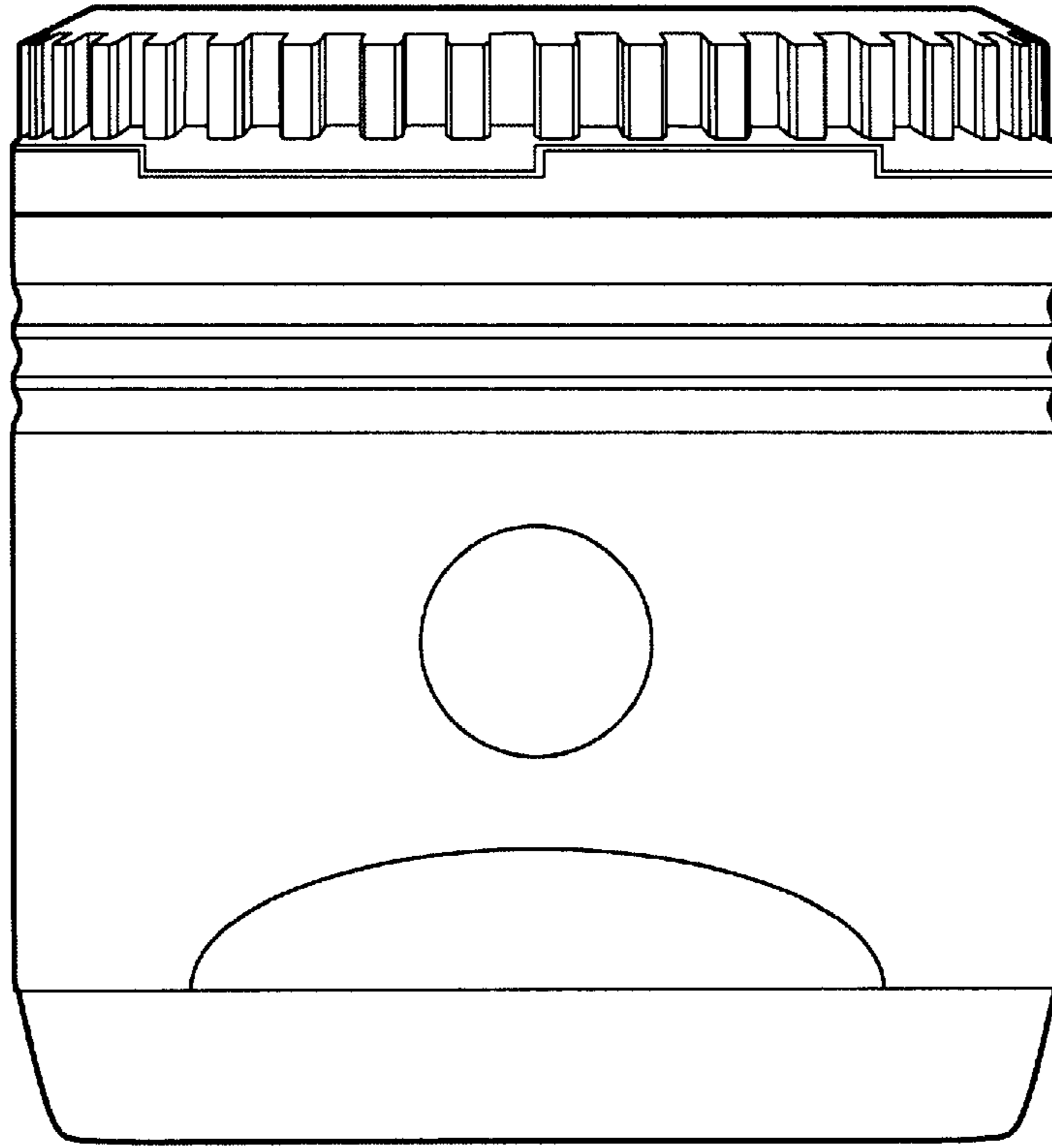


Fig. 6

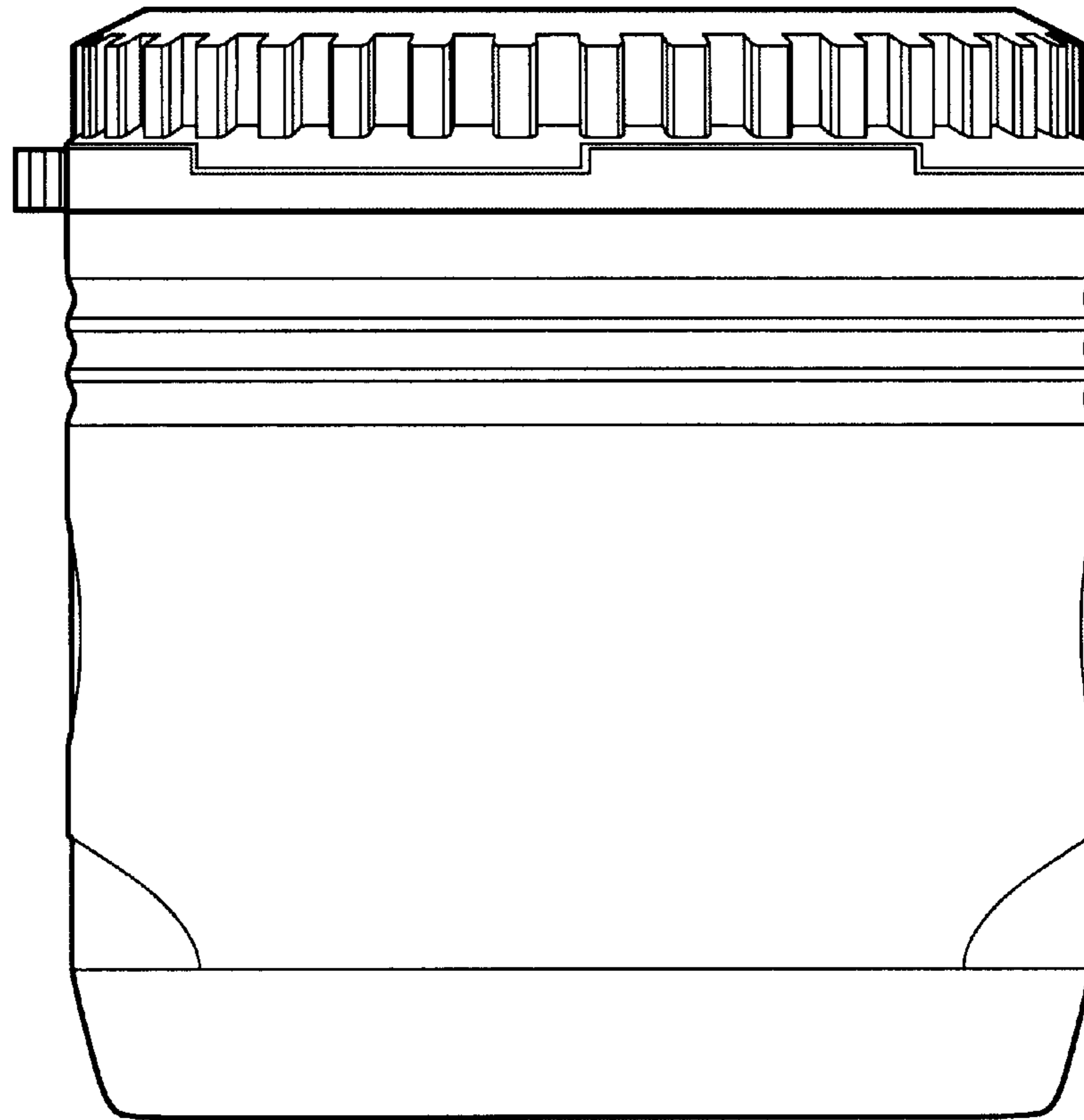


Fig. 7

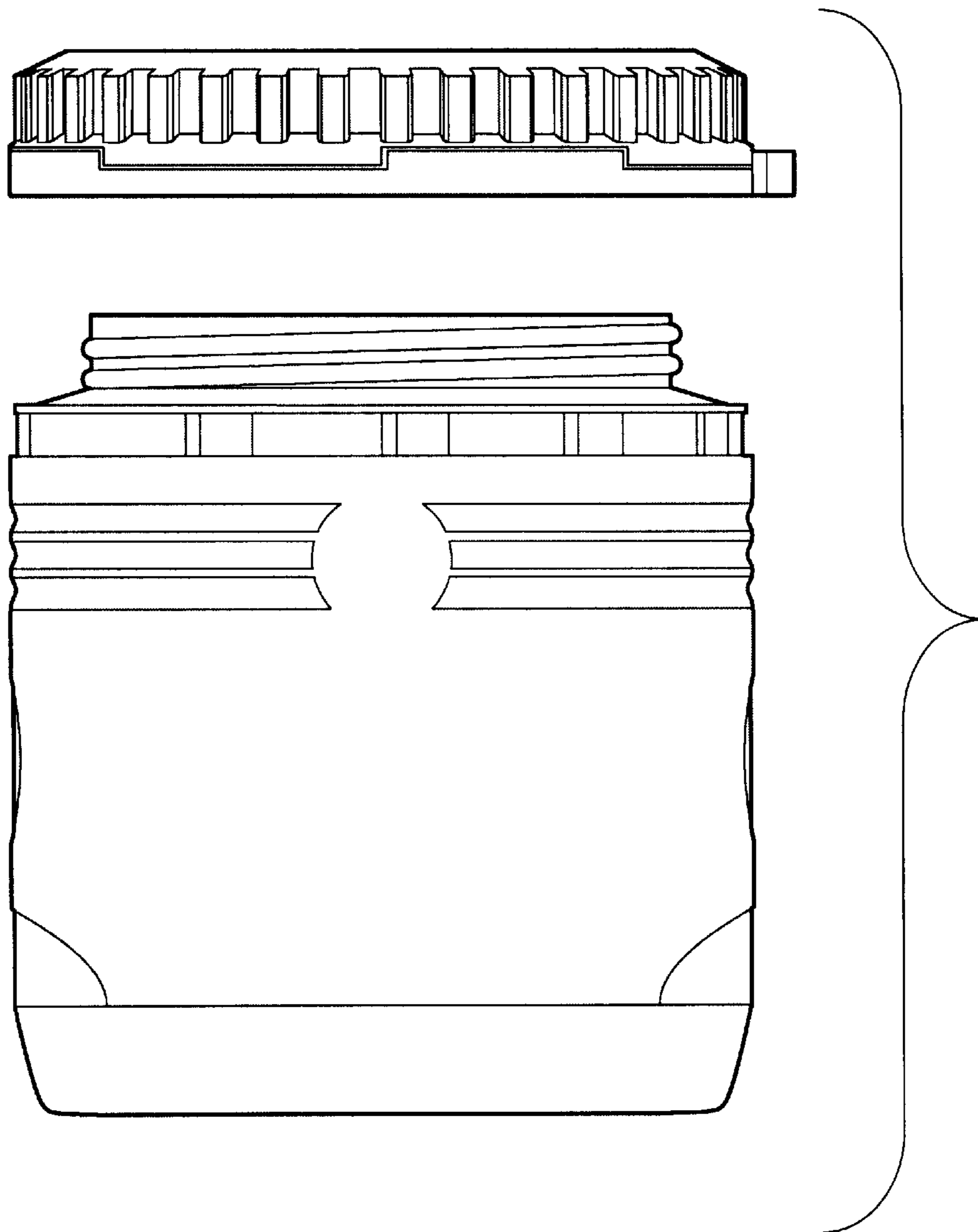


Fig. 8