



US00D543851S

(12) **United States Design Patent**  
**Franic**

(10) **Patent No.:** **US D543,851 S**

(45) **Date of Patent:** **\*\* Jun. 5, 2007**

(54) **PACKAGING CARTON**

(75) Inventor: **Ivica Franic**, Vienna (AT)

(73) Assignee: **Elopak Systems AG**, Glattbrugg (CH)

(\*\*) Term: **14 Years**

(21) Appl. No.: **29/244,256**

(22) Filed: **Dec. 7, 2005**

(30) **Foreign Application Priority Data**

Jun. 8, 2005 (EM) ..... 352737

(51) **LOC (8) Cl.** ..... **09-01**

(52) **U.S. Cl.** ..... **D9/522; D9/560; D9/575**

(58) **Field of Classification Search** ..... D7/612-615,  
D7/629; D9/516, 522-523, 529, 530, 542-543,  
D9/560, 572-575, 414, 430-432; D3/273;  
D19/65, 75; 215/382-384, 396, 398, 400  
See application file for complete search history.

(56) **References Cited**

**U.S. PATENT DOCUMENTS**

- D83,641 S \* 3/1931 Panopulo ..... D9/575
- D176,590 S \* 1/1956 Breen ..... D9/522
- D234,940 S \* 4/1975 Mezquita ..... D9/523
- 4,087,028 A \* 5/1978 Lang ..... 222/556
- D296,666 S \* 7/1988 Hunt ..... D9/522
- D343,117 S \* 1/1994 Mansau ..... D9/660

- D429,161 S \* 8/2000 LePage ..... D9/572 X
- D431,970 S \* 10/2000 Sani ..... D7/612
- D479,803 S \* 9/2003 Alguire et al. .... D9/523
- D482,286 S \* 11/2003 Samson et al. .... D9/522
- D485,184 S \* 1/2004 Hay et al. .... D9/522
- D497,312 S \* 10/2004 Anderson et al. .... D9/522
- D506,392 S \* 6/2005 Dedancourt ..... D9/522
- D506,674 S \* 6/2005 Sumiyoshi et al. .... D9/522
- D520,365 S \* 5/2006 Andoh ..... D9/522
- D523,344 S \* 6/2006 Toth et al. .... D9/522
- D531,904 S \* 11/2006 Sillett et al. .... D9/516
- D532,308 S \* 11/2006 Davies et al. .... D9/522

\* cited by examiner

*Primary Examiner*—Carol Rademaker

(74) *Attorney, Agent, or Firm*—Cafee, Halter & Griswold, LLP

(57) **CLAIM**

The ornamental design for a packaging carton, as shown.

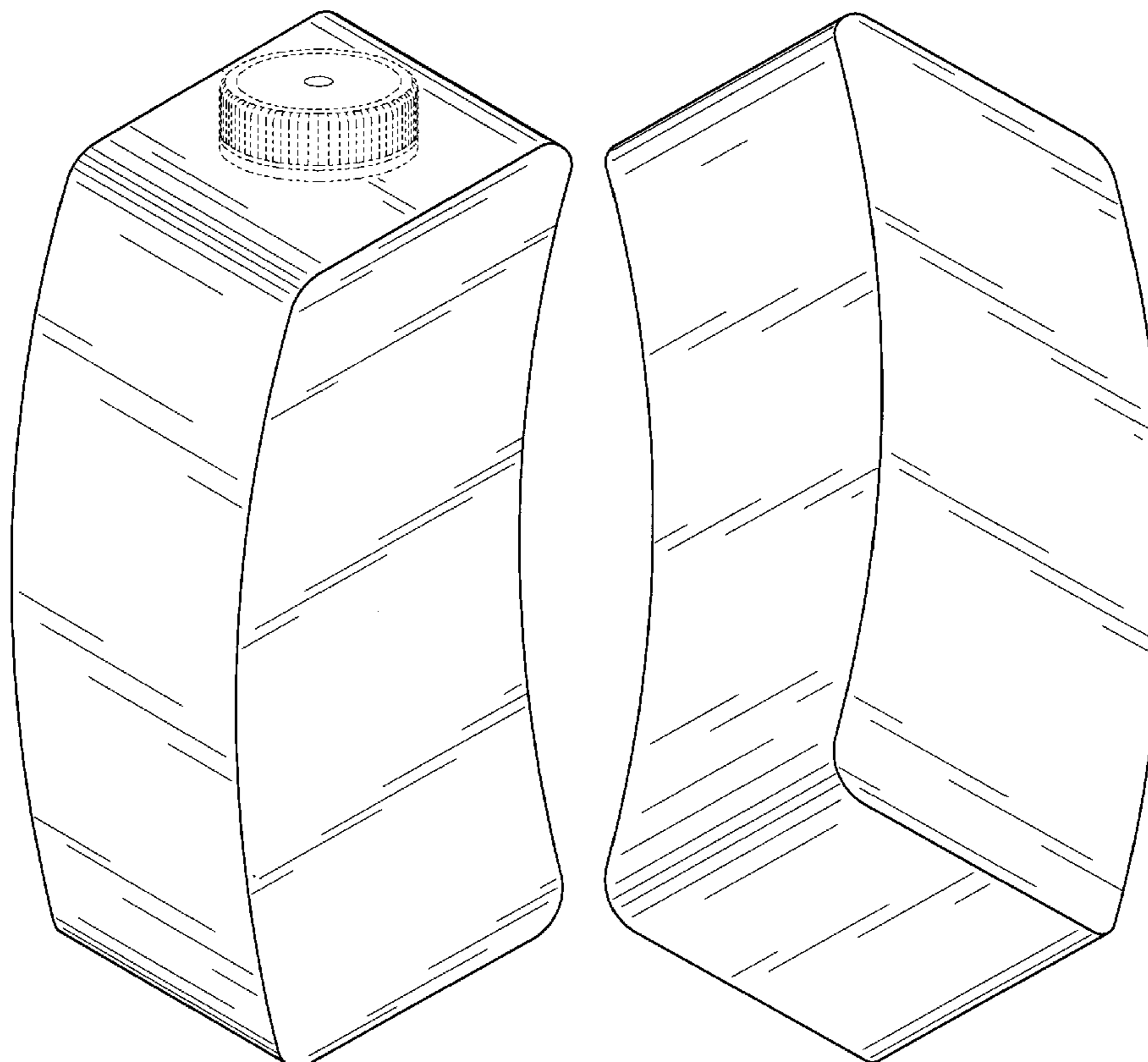
**DESCRIPTION**

FIG. 1 is a top, front, and right side perspective view of the packaging carton; and,

FIG. 2 is a bottom, rear, and left side perspective view of the packaging carton.

The broken lines shown in the drawings are for illustrative purposes only and form no part of the claimed design.

**1 Claim, 2 Drawing Sheets**



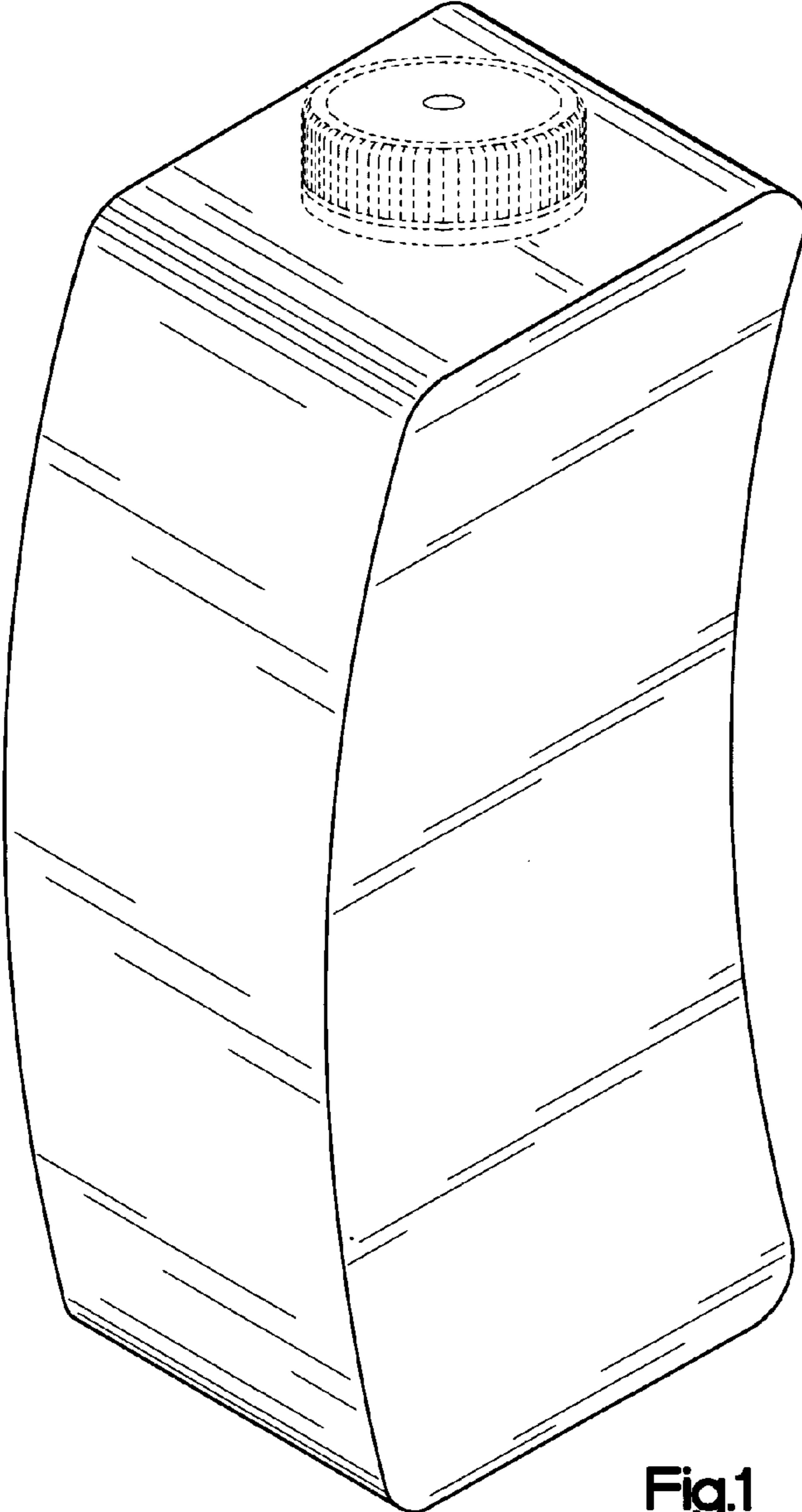


Fig.1

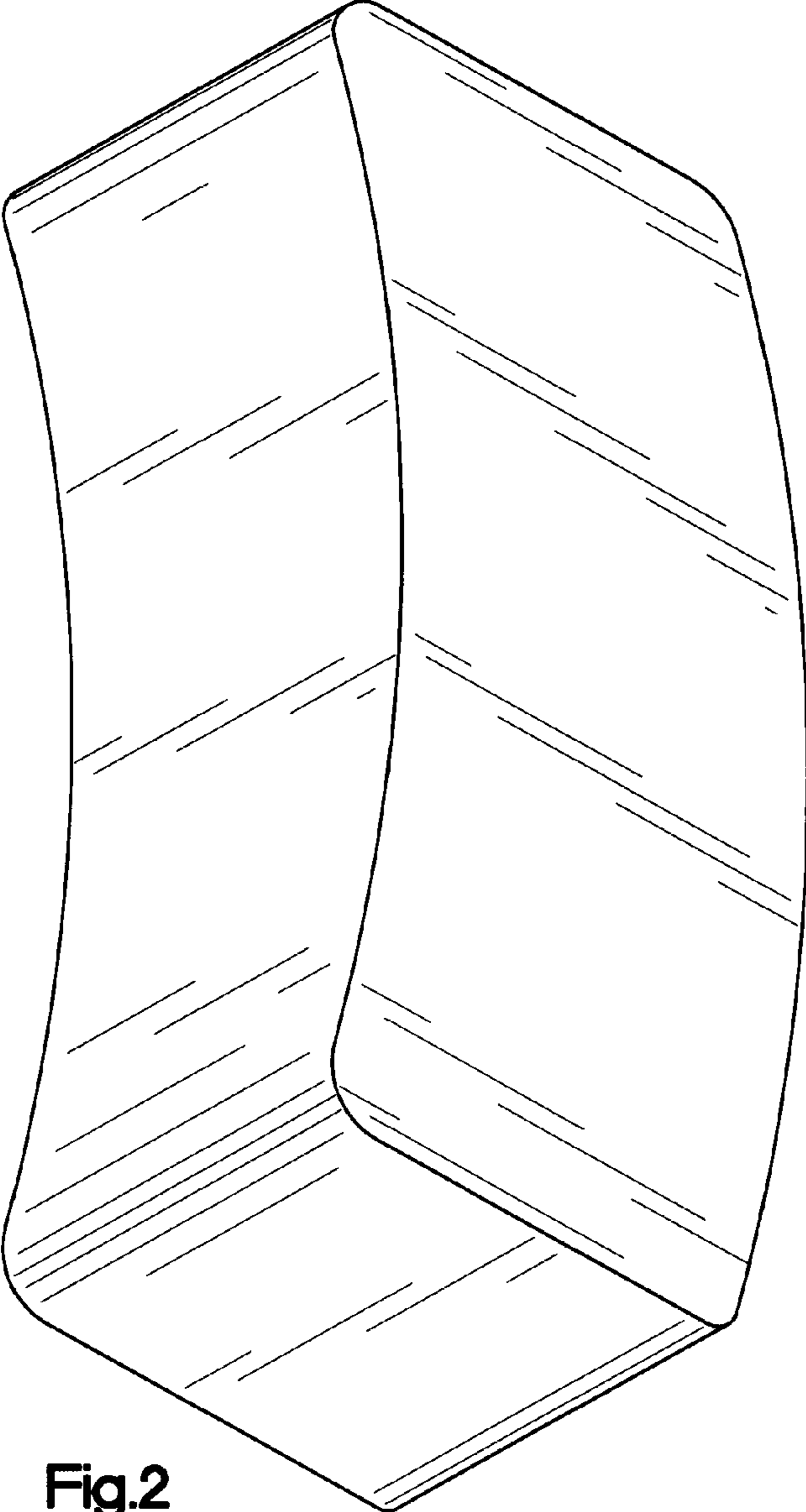


Fig.2