

US00D543848S

(12) **United States Design Patent** (10) **Patent No.:** **US D543,848 S**
Mettler et al. (45) **Date of Patent:** **** Jun. 5, 2007**

(54) **COSMETIC CONTAINER**

FOREIGN PATENT DOCUMENTS

(75) Inventors: **Mark F. Mettler**, Spring Lake, MI (US); **Olivier J. P. van Doorne**, New York, NY (US); **Joe D. Doucet**, New York, NY (US)

WO DM/061418 * 9/2002

* cited by examiner

(73) Assignee: **Access Business Group International LLC**, Ada, MI (US)

Primary Examiner—Ian Simmons

Assistant Examiner—Dana Sipos

(74) *Attorney, Agent, or Firm*—Warner Norcross & Judd LLP

(**) Term: **14 Years**

(57) **CLAIM**

(21) Appl. No.: **29/246,630**

The ornamental design for a cosmetic container, as shown and described.

(22) Filed: **Apr. 28, 2006**

DESCRIPTION

Related U.S. Application Data

(63) Continuation-in-part of application No. 29/243,877, filed on Dec. 1, 2005.

(51) **LOC (8) Cl.** **09-01**

(52) **U.S. Cl.** **D9/504; D9/551**

(58) **Field of Classification Search** D9/500, D9/502, 503, 504, 516, 549, 529, 551, 557, D9/558; D28/4, 73, 76, 78, 81, 82, 88, 99, D28/90

See application file for complete search history.

FIG. 1 is a top, front perspective view of an opaque cosmetic container showing my new design;

FIG. 2 is a rear elevational view thereof;

FIG. 3 is a top plan view thereof;

FIG. 4 is a bottom plan view thereof;

FIG. 5 is a top, front perspective view of a second embodiment showing my new design;

FIG. 6 is a rear elevational view thereof;

FIG. 7 is a top plan view thereof;

FIG. 8 is a bottom plan view thereof;

FIG. 9 is a top, front perspective view of a third embodiment showing my new design having a translucent bottom portion;

FIG. 10 is a rear elevational view thereof;

FIG. 11 is a top plan view thereof;

FIG. 12 is a bottom plan view thereof;

FIG. 13 is a top, front perspective view of a fourth embodiment showing my new design having a translucent top portion;

FIG. 14 is a rear elevational view thereof;

FIG. 15 is a top plan view thereof;

FIG. 16 is a bottom plan view thereof;

(56) **References Cited**

U.S. PATENT DOCUMENTS

D253,580 S	*	12/1979	Mascia	D9/503
D253,632 S	*	12/1979	Mascia	D9/776
D255,215 S	*	6/1980	Ellinwood	D9/504
D392,889 S	*	3/1998	Liu	D9/504
D405,003 S	*	2/1999	Dapsanse	D9/663
D412,440 S	*	8/1999	Chuang	D9/503
D434,324 S	*	11/2000	Gobe	D9/504
D434,667 S	*	12/2000	Gobe	D9/529
D435,449 S	*	12/2000	Moretti	D9/500
D443,514 S	*	6/2001	Lin	D9/504
D459,498 S	*	6/2002	Araujo	D26/6
D480,000 S	*	9/2003	Hirato	D9/504

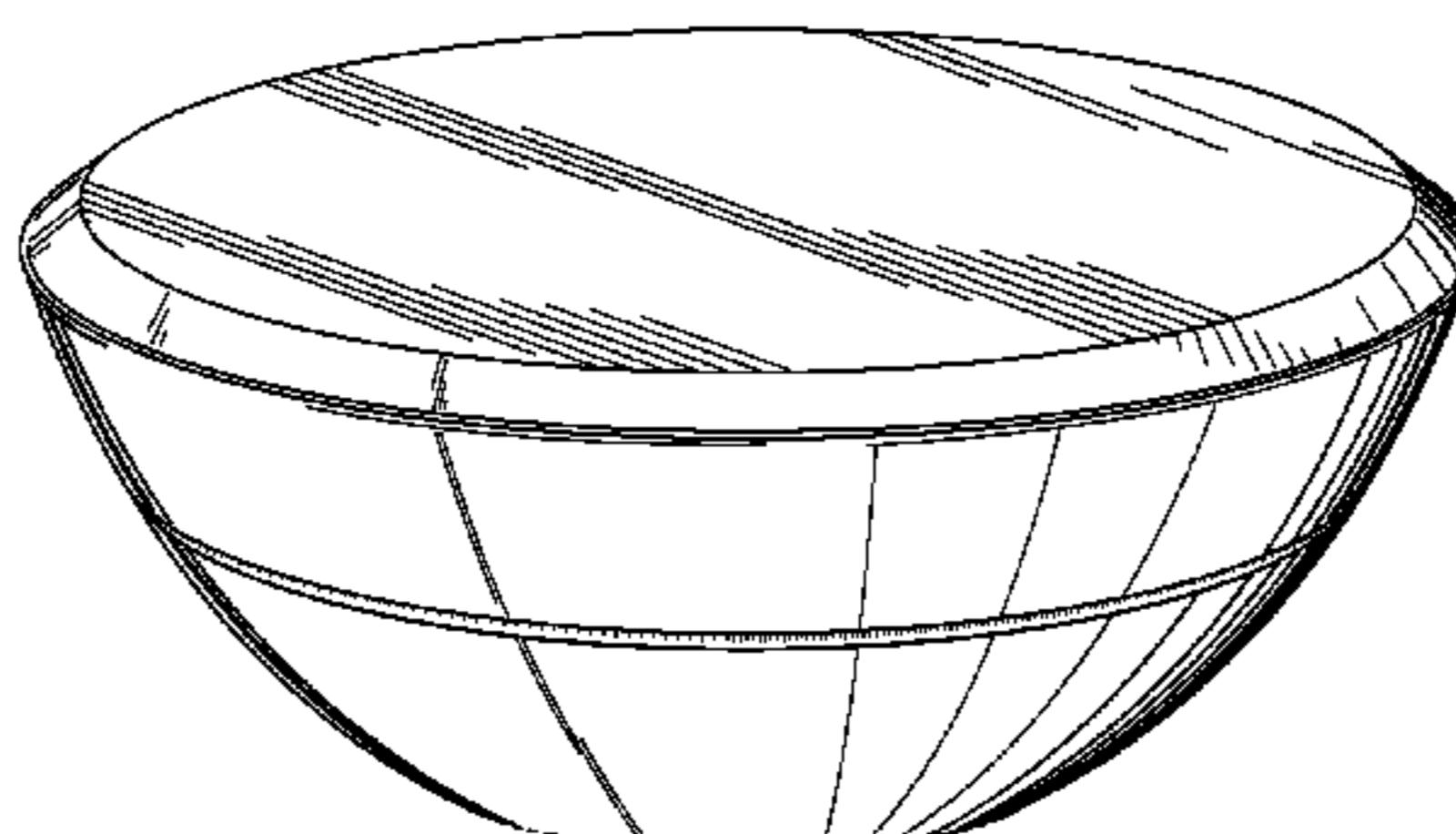
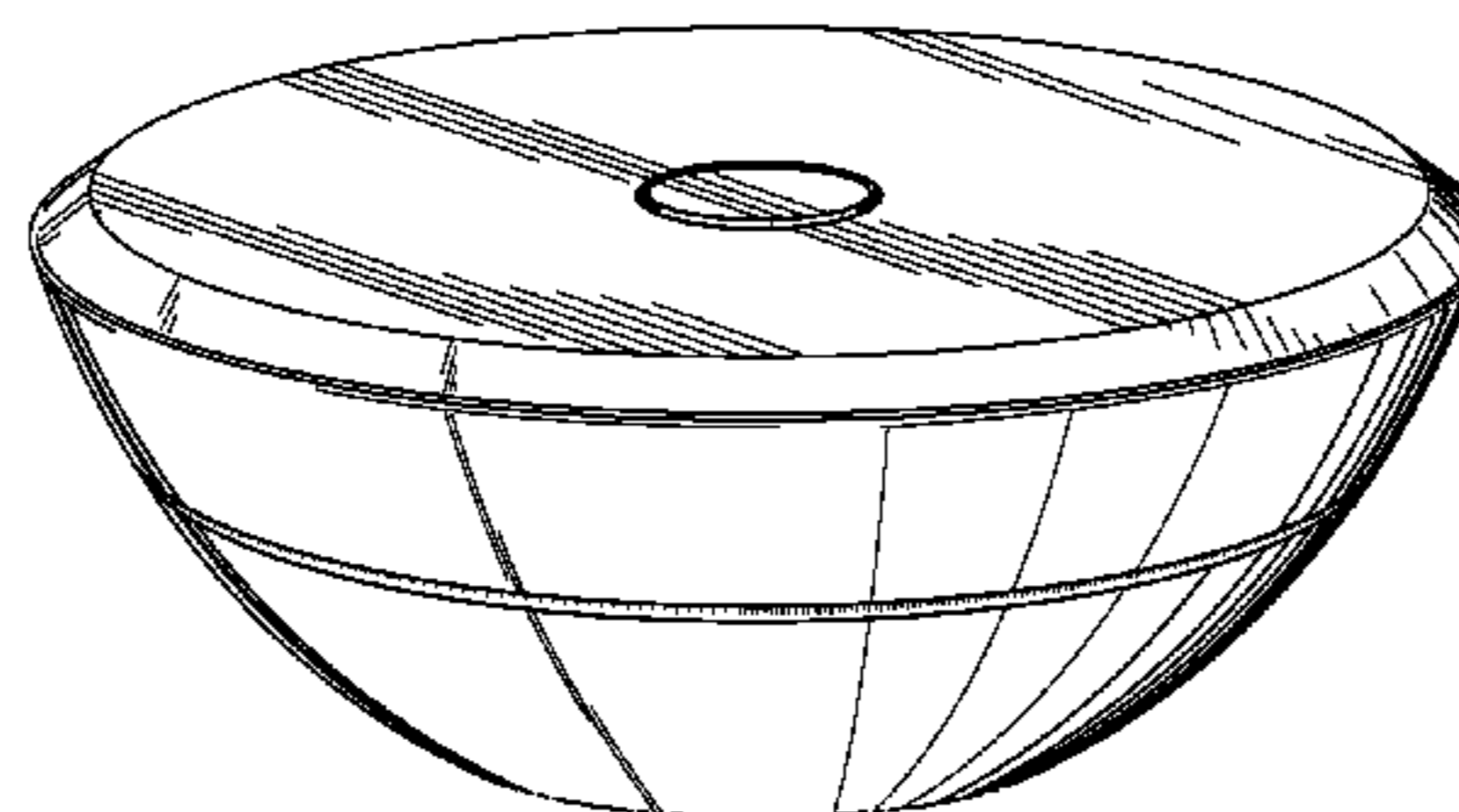


FIG. 17 is a top, front perspective view of a fifth embodiment showing my new design as being translucent;

FIG. 18 is a rear elevational view thereof;

FIG. 19 is a top plan view thereof;

FIG. 20 is a bottom plan view thereof;

FIG. 21 is a top, front perspective view of the cosmetic container of a sixth embodiment showing my new design being translucent;

FIG. 22 is a rear elevational view thereof;

FIG. 23 is a top plan view thereof;

FIG. 24 is a bottom plan view thereof;

FIG. 25 is a top, front perspective view of a seventh embodiment showing my new design having a translucent top portion;

FIG. 26 is a rear elevational view thereof;

FIG. 27 is a top plan view thereof; and,

FIG. 28 is a bottom plan view thereof.

The broken lines shown in the drawings are for illustrative purposes only and form no part of the claimed design.

1 Claim, 14 Drawing Sheets

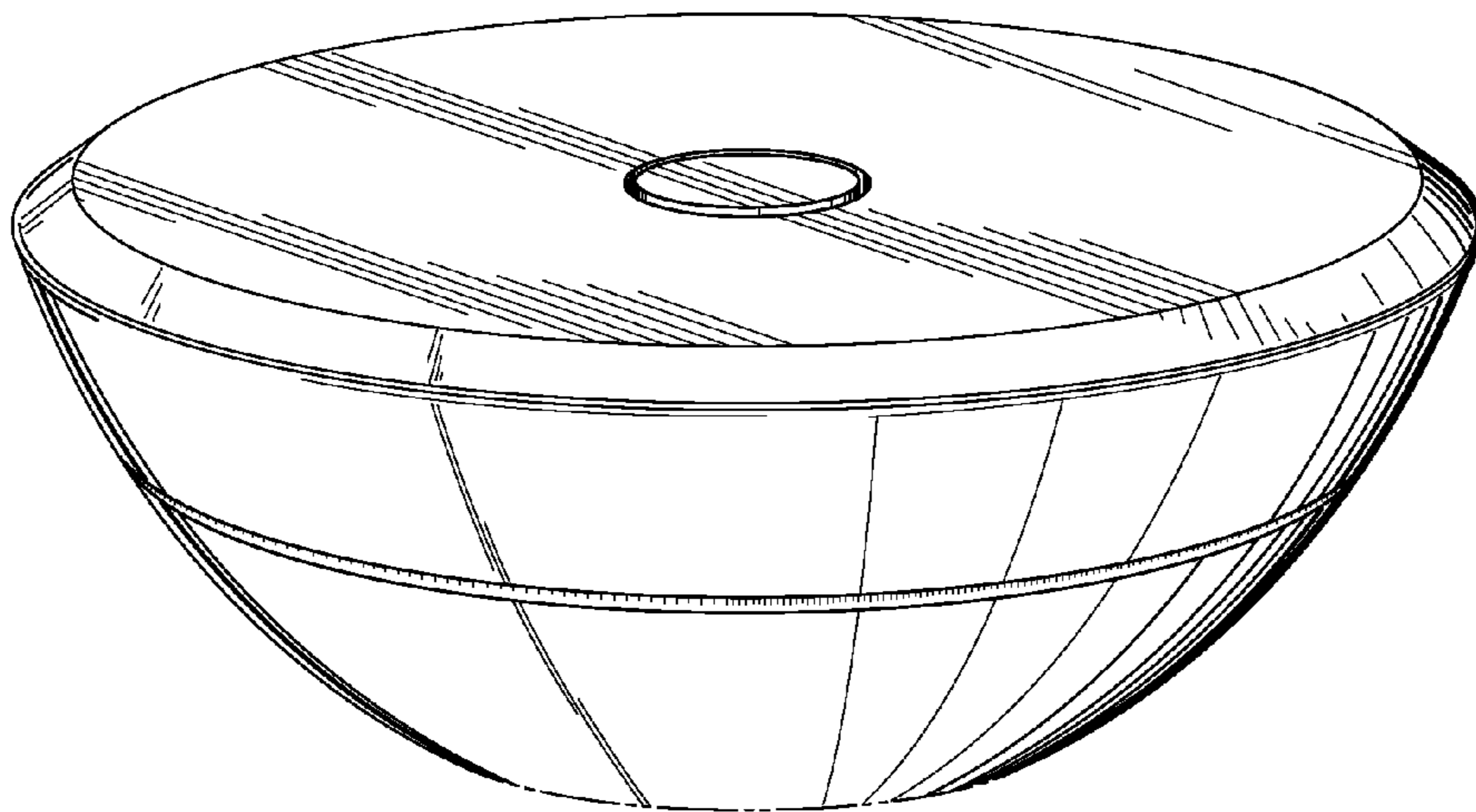


Fig. 1

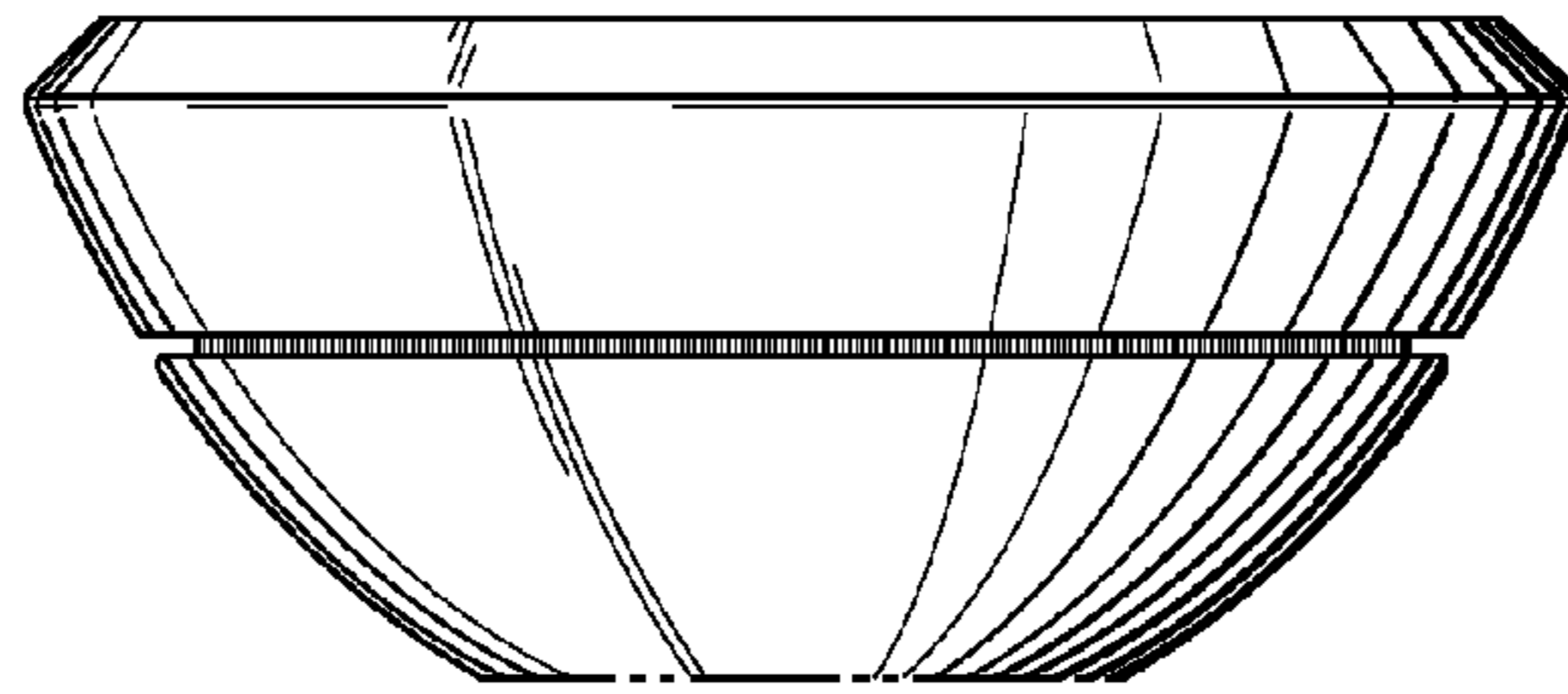


Fig. 2

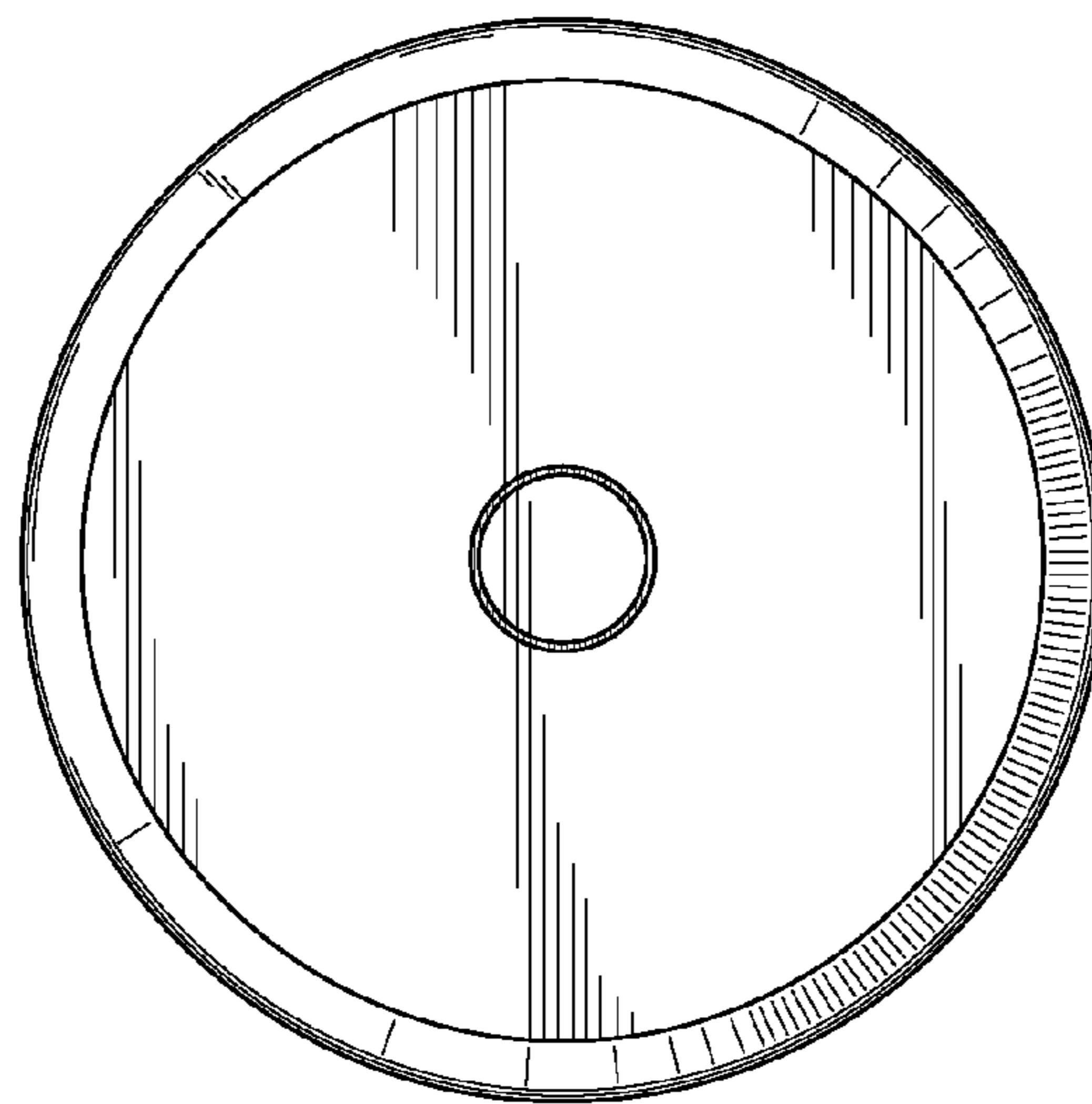


Fig. 3

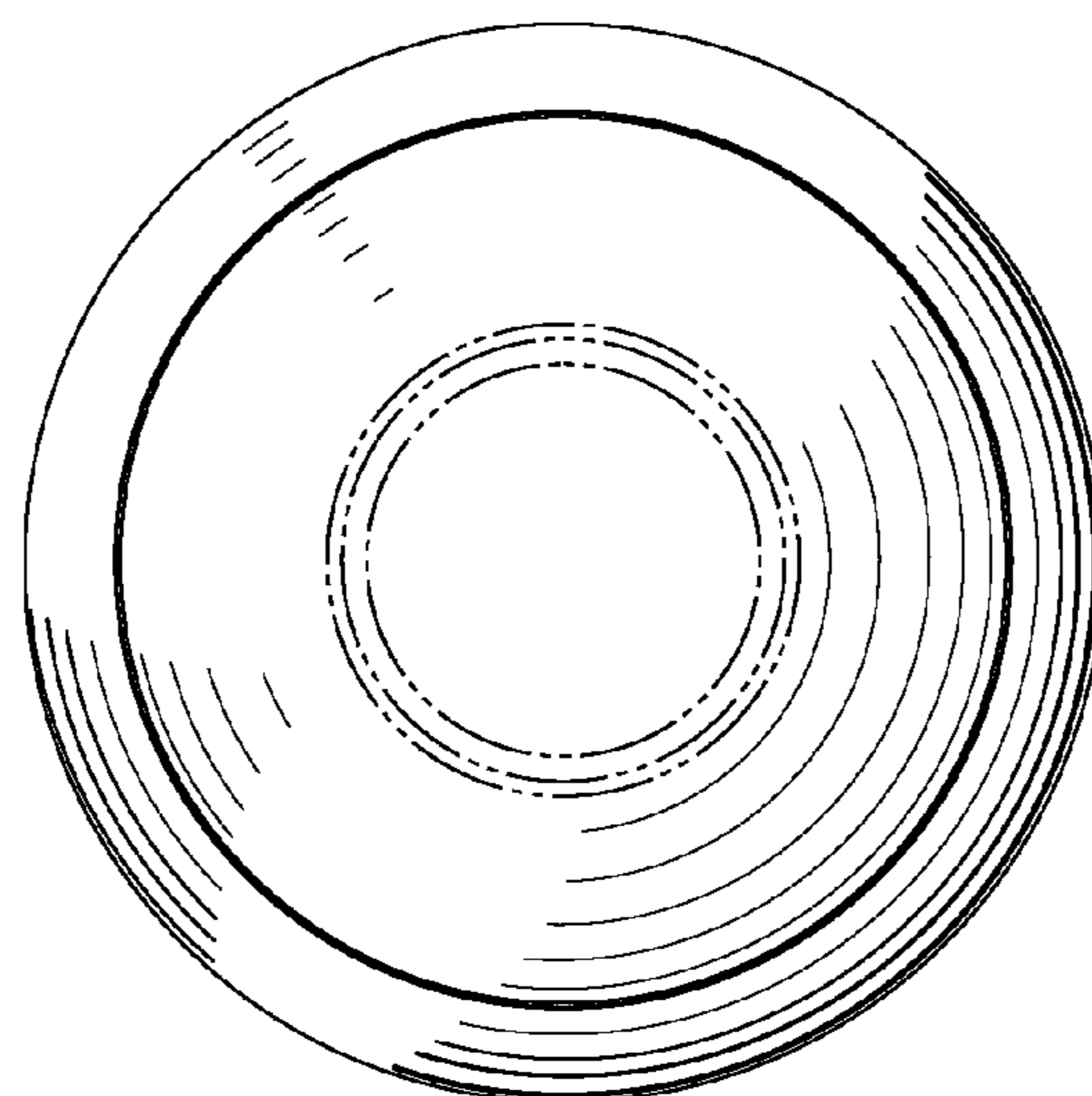


Fig. 4

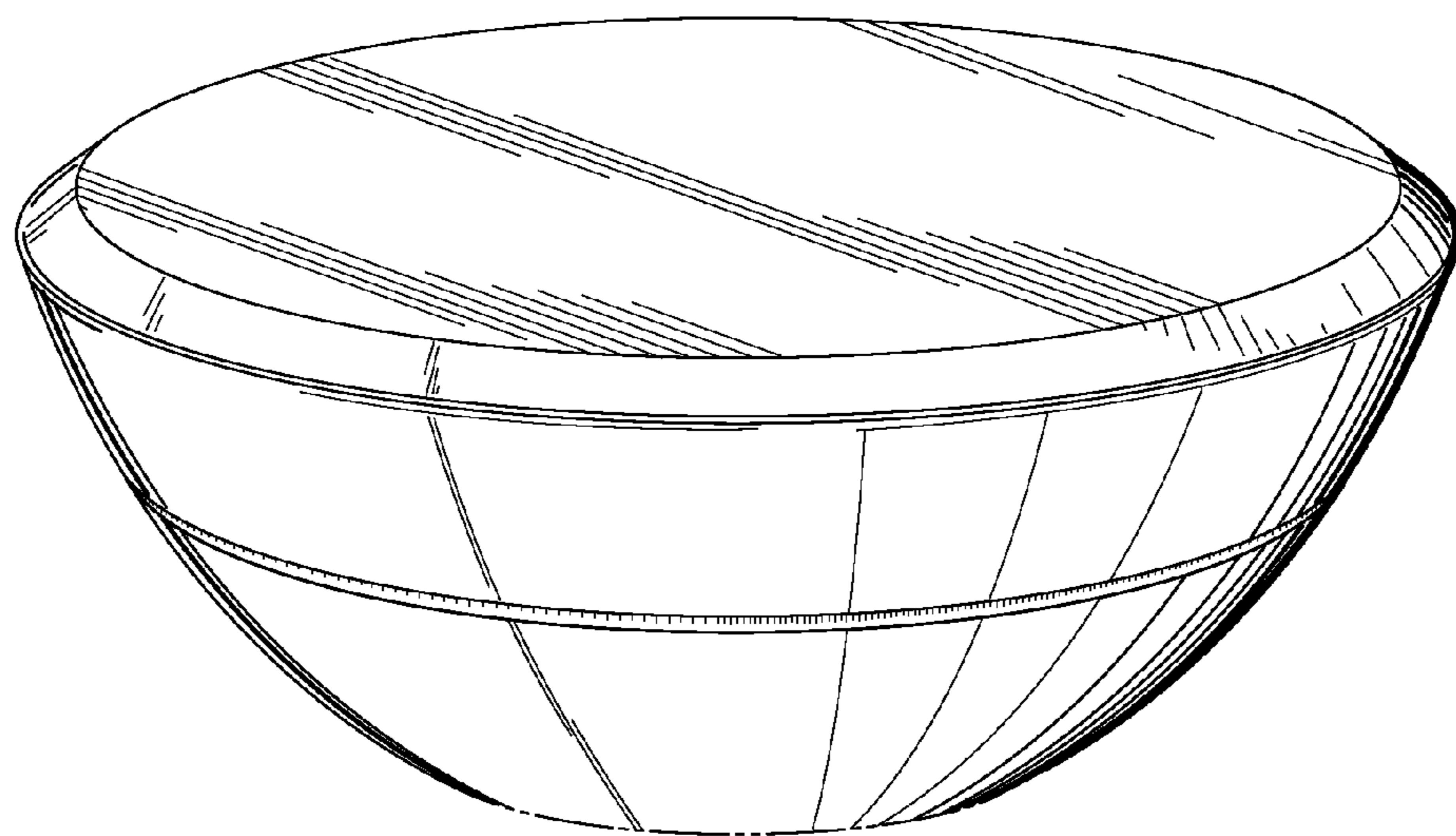


Fig. 5

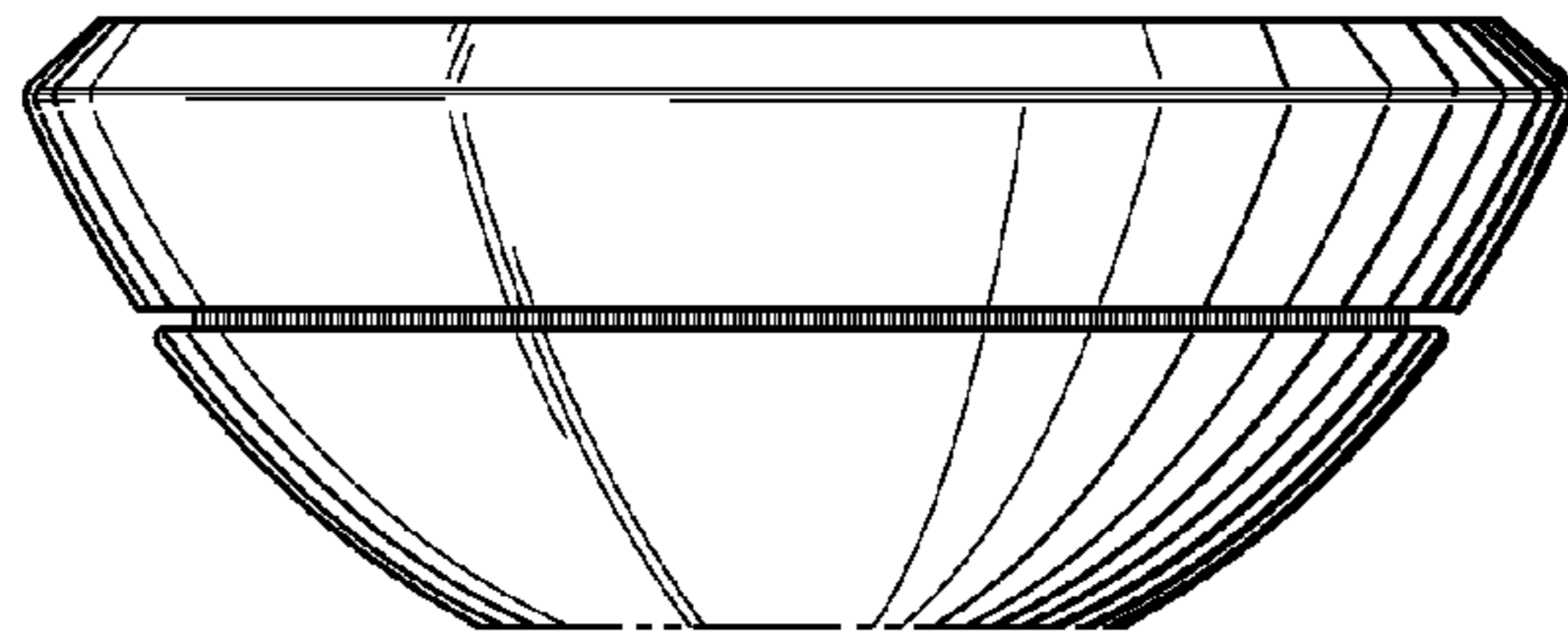


Fig. 6

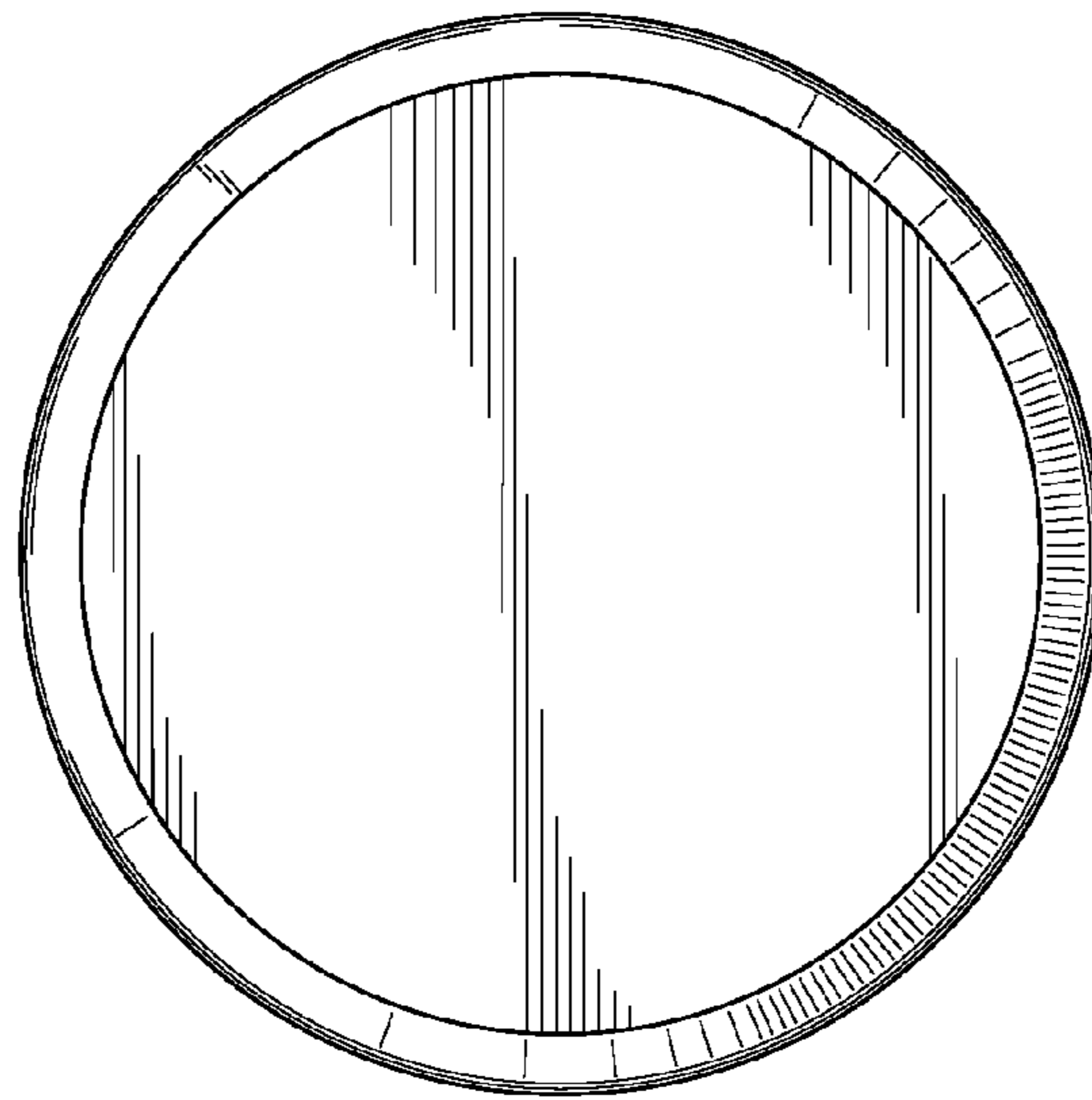


Fig. 7

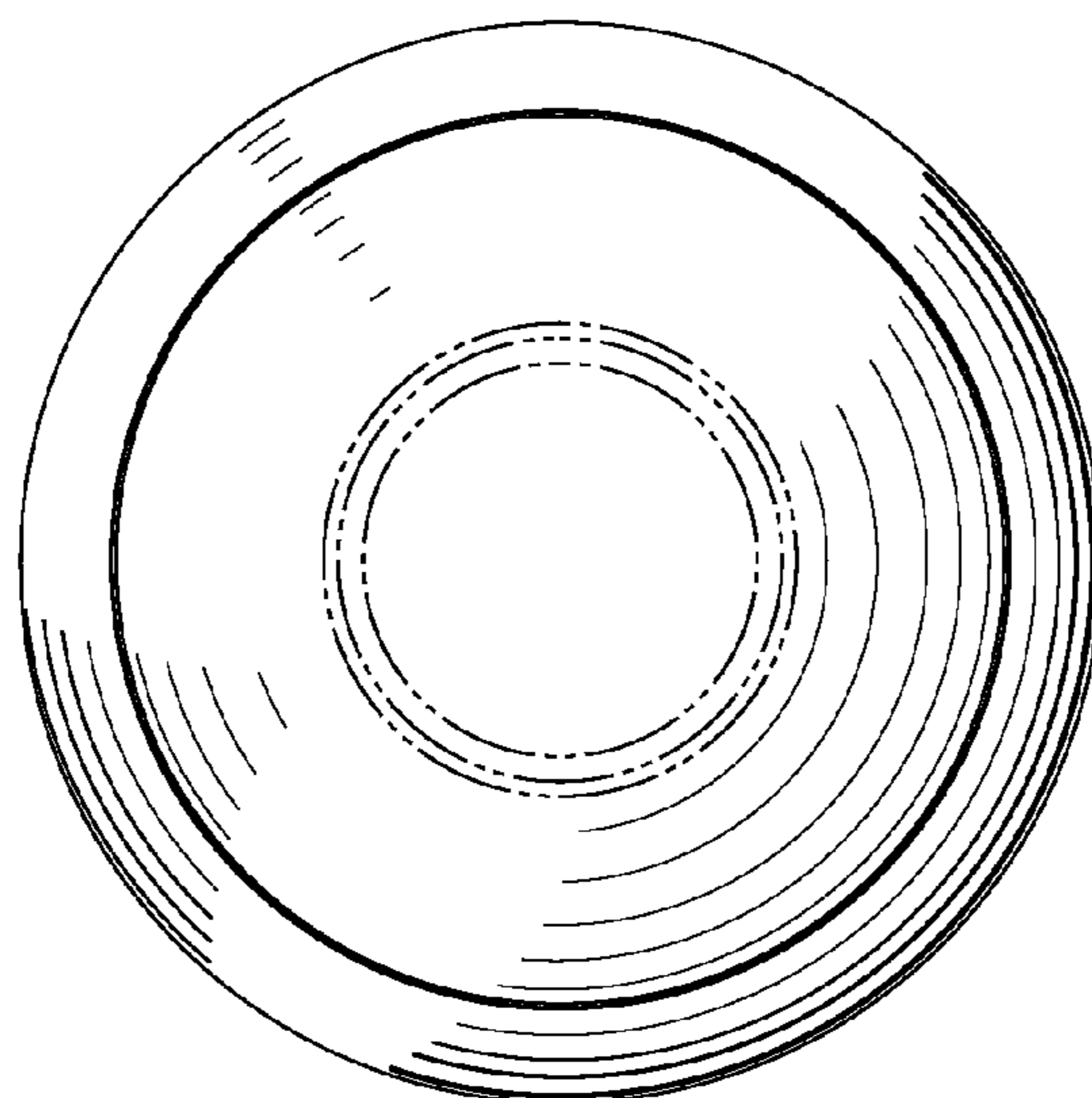


Fig. 8

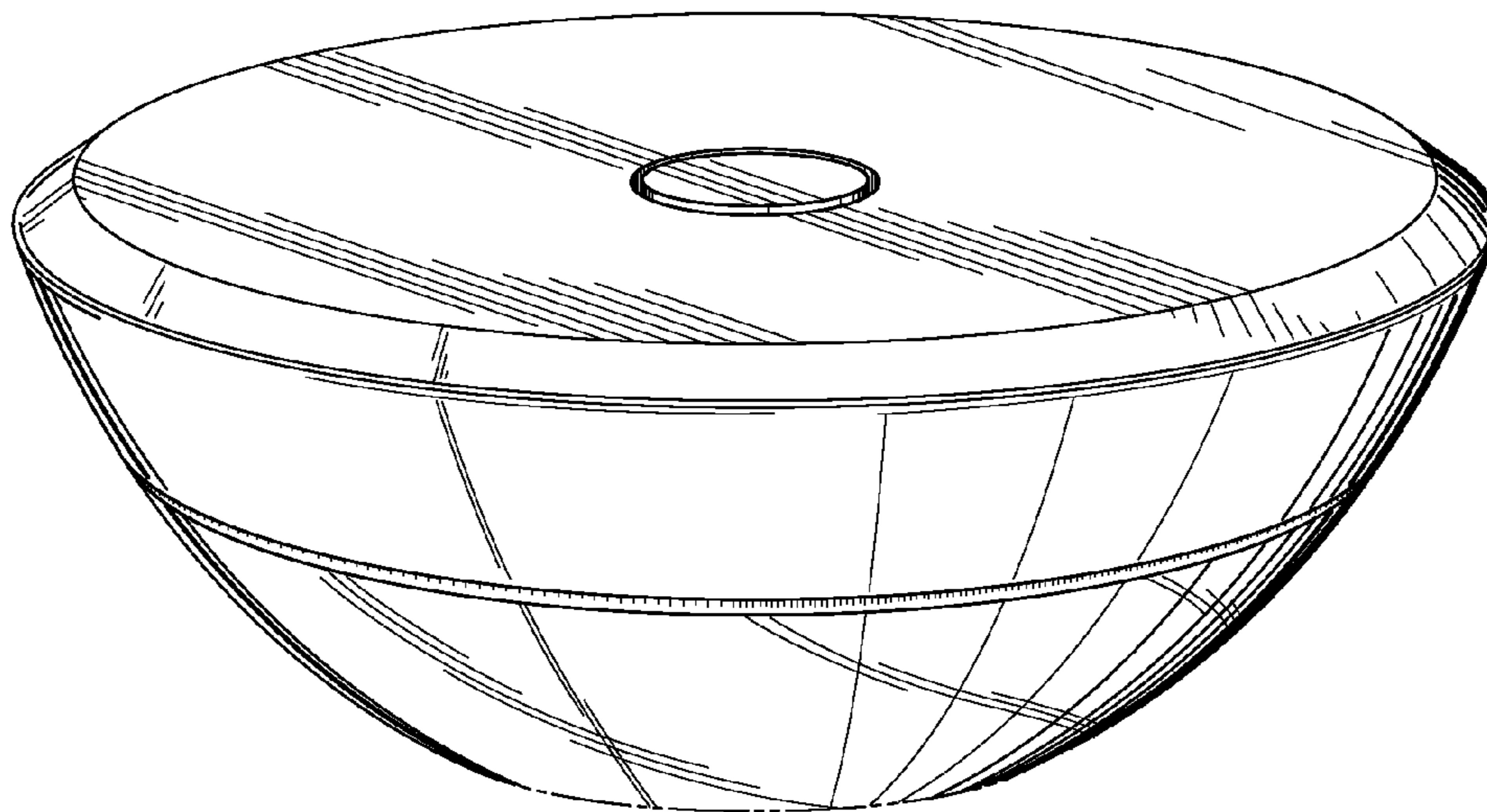


Fig. 9

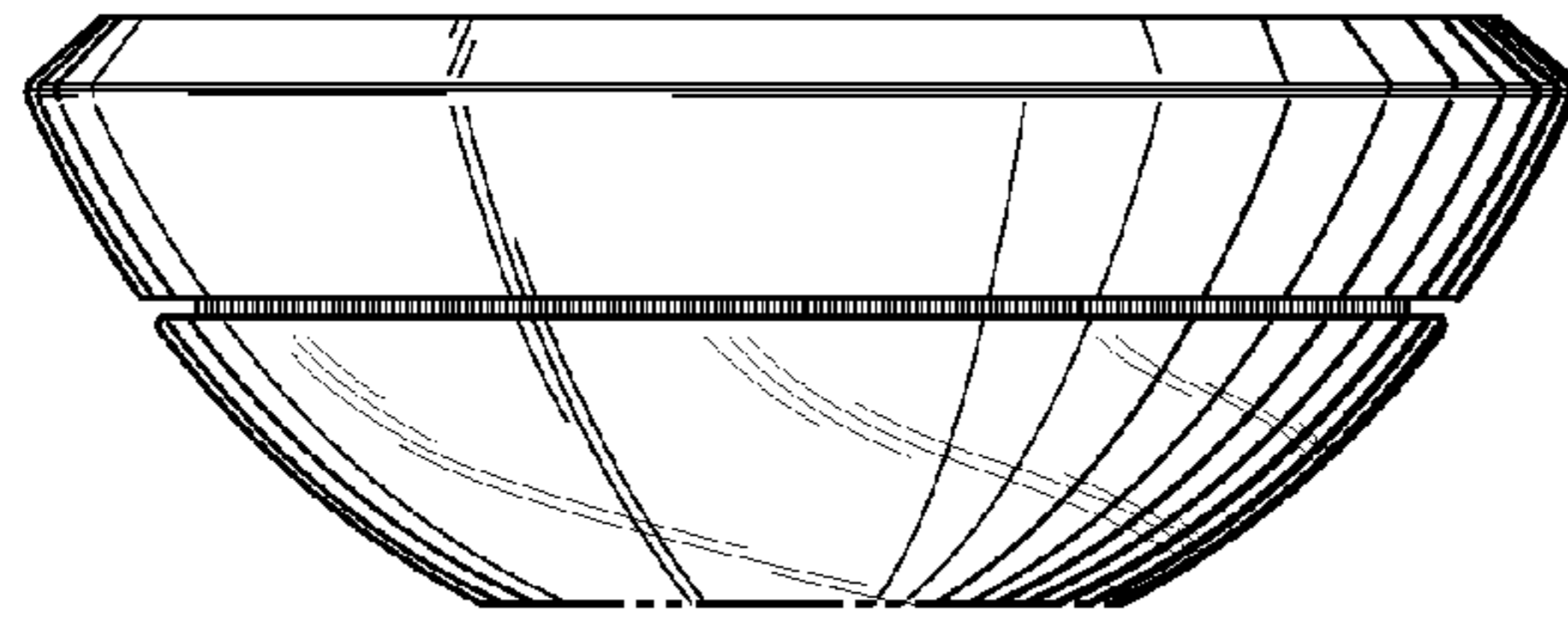


Fig. 10

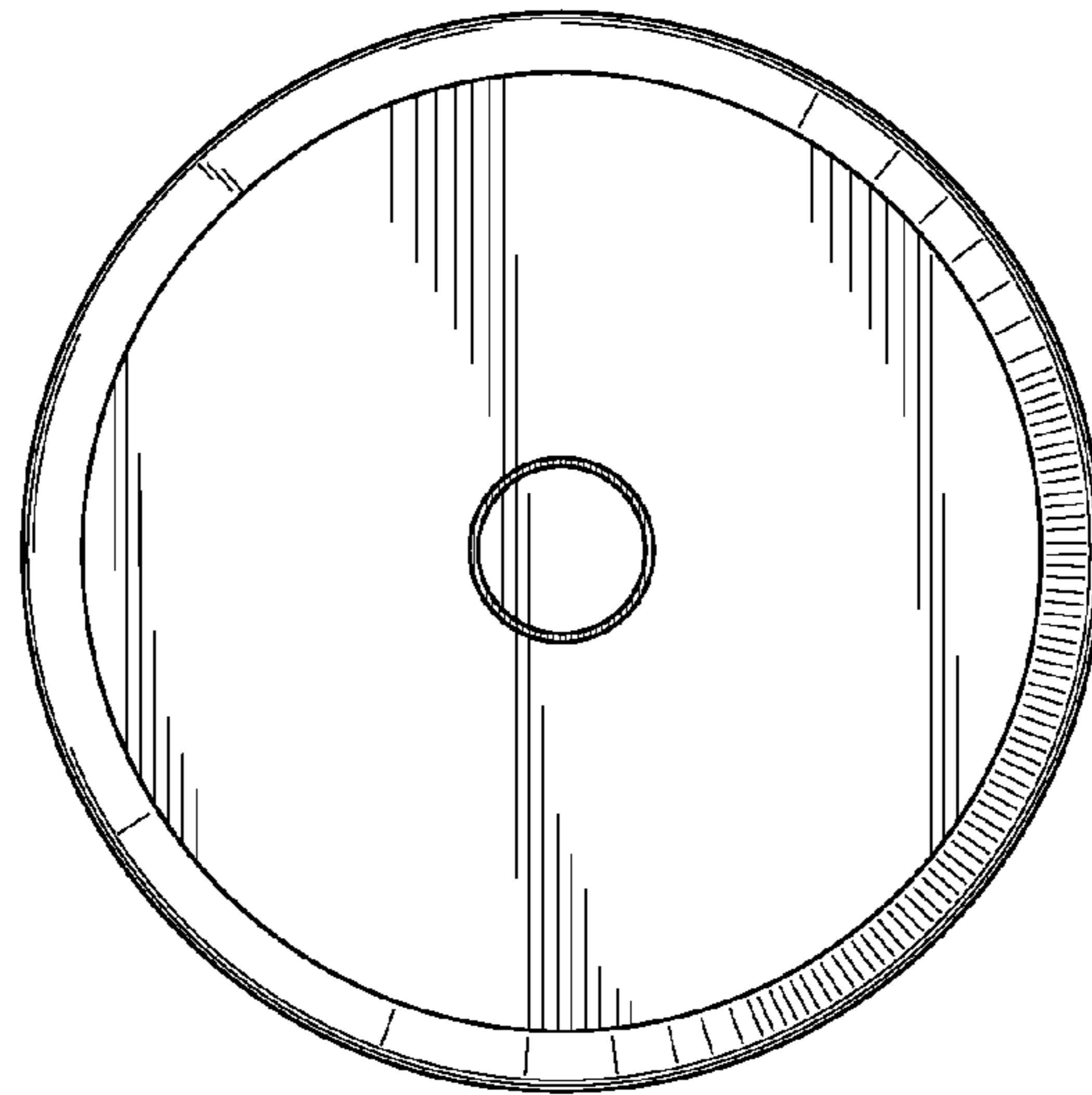


Fig. 11

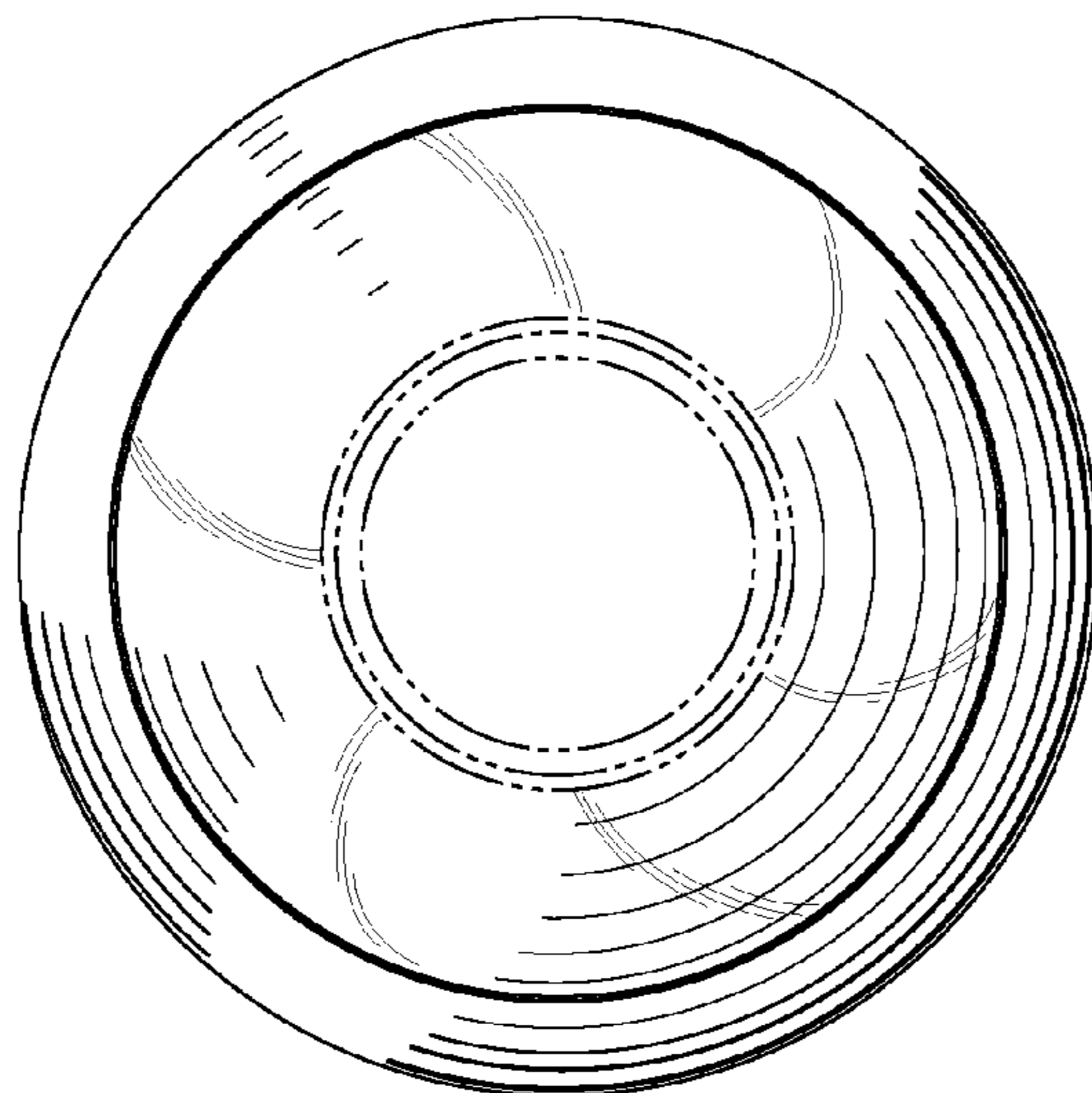


Fig. 12

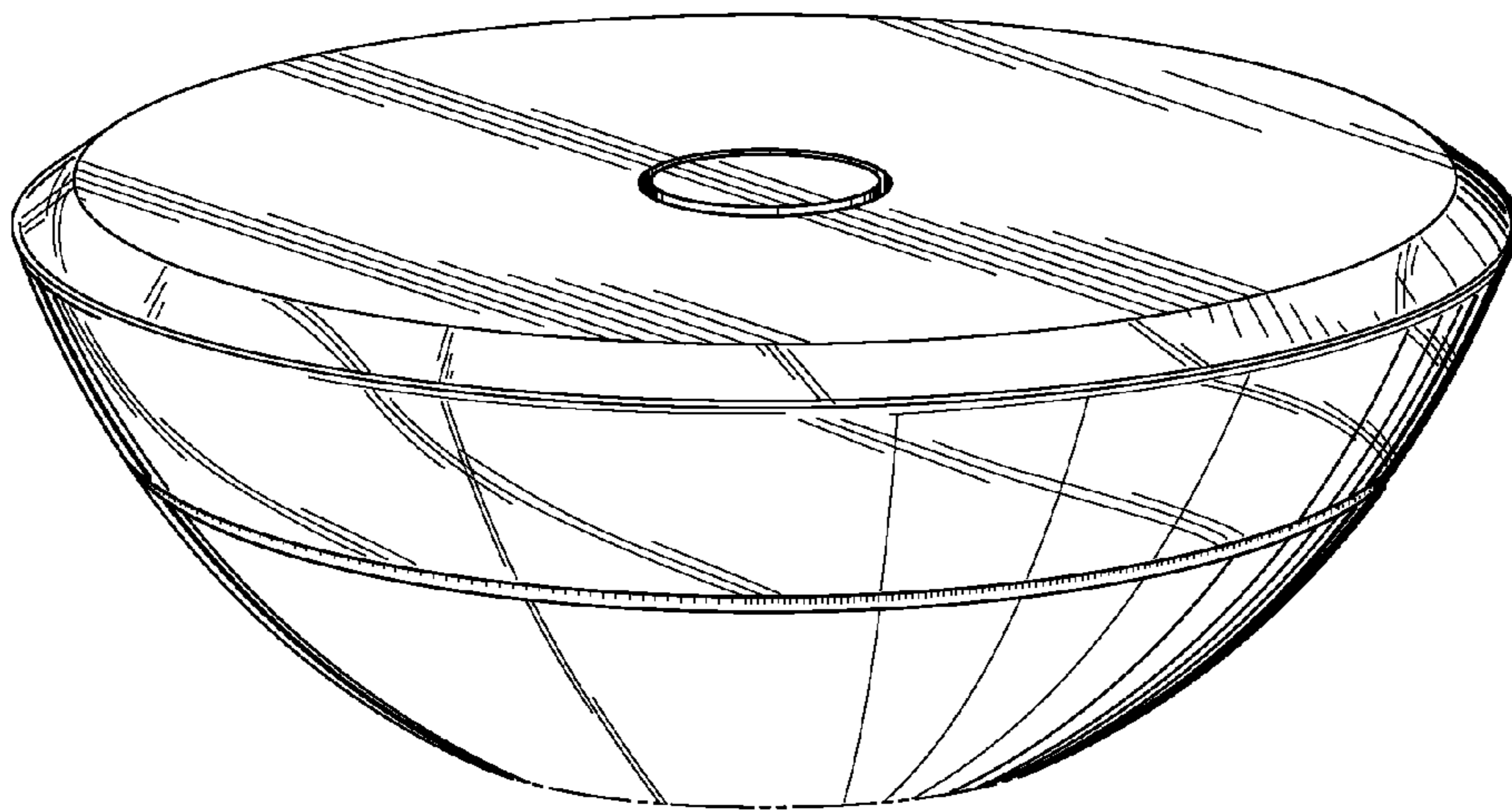


Fig. 13

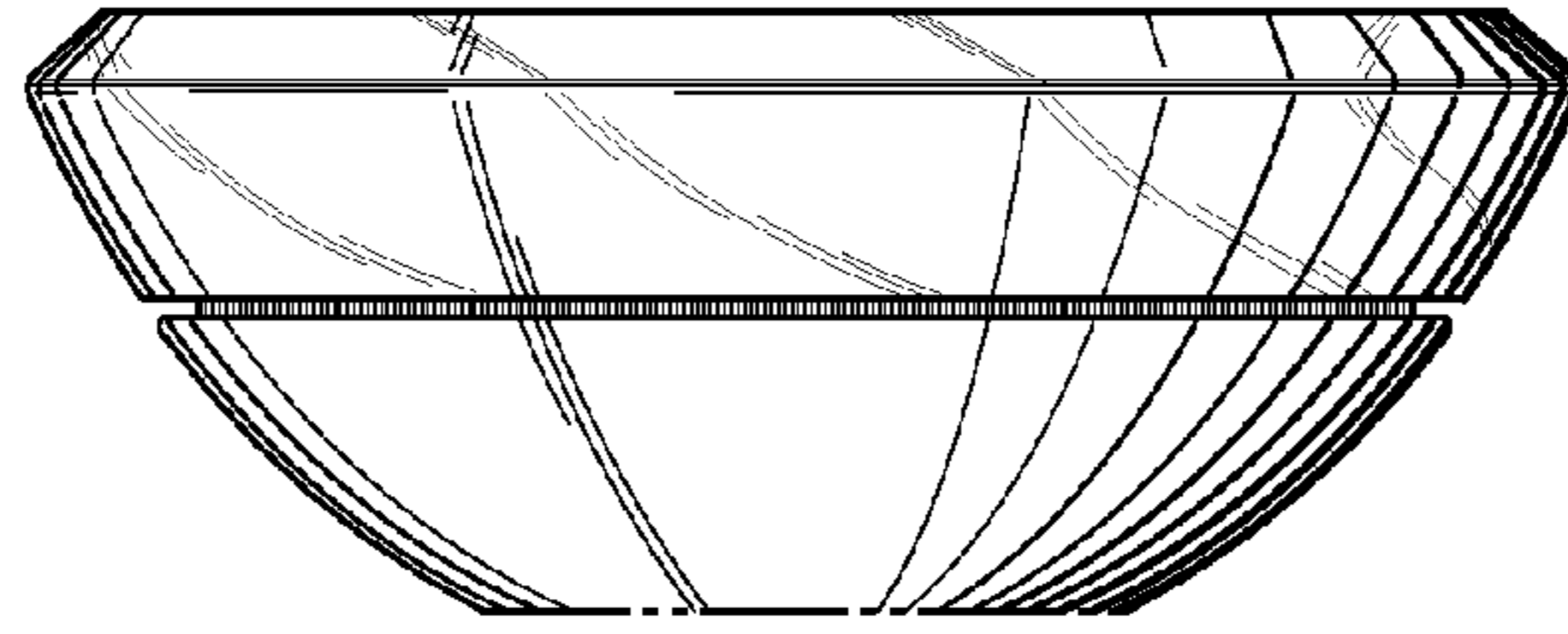


Fig. 14

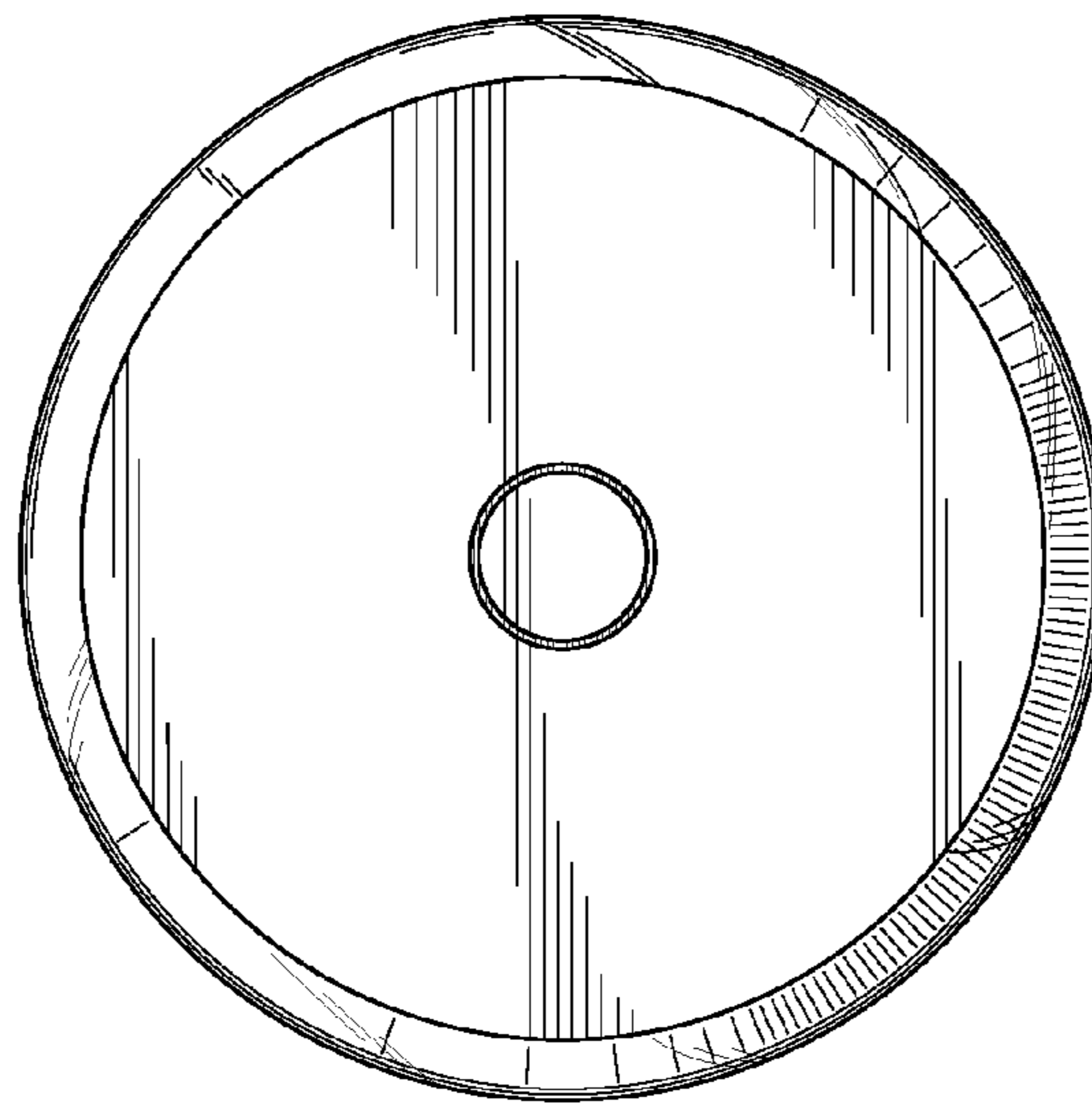


Fig. 15

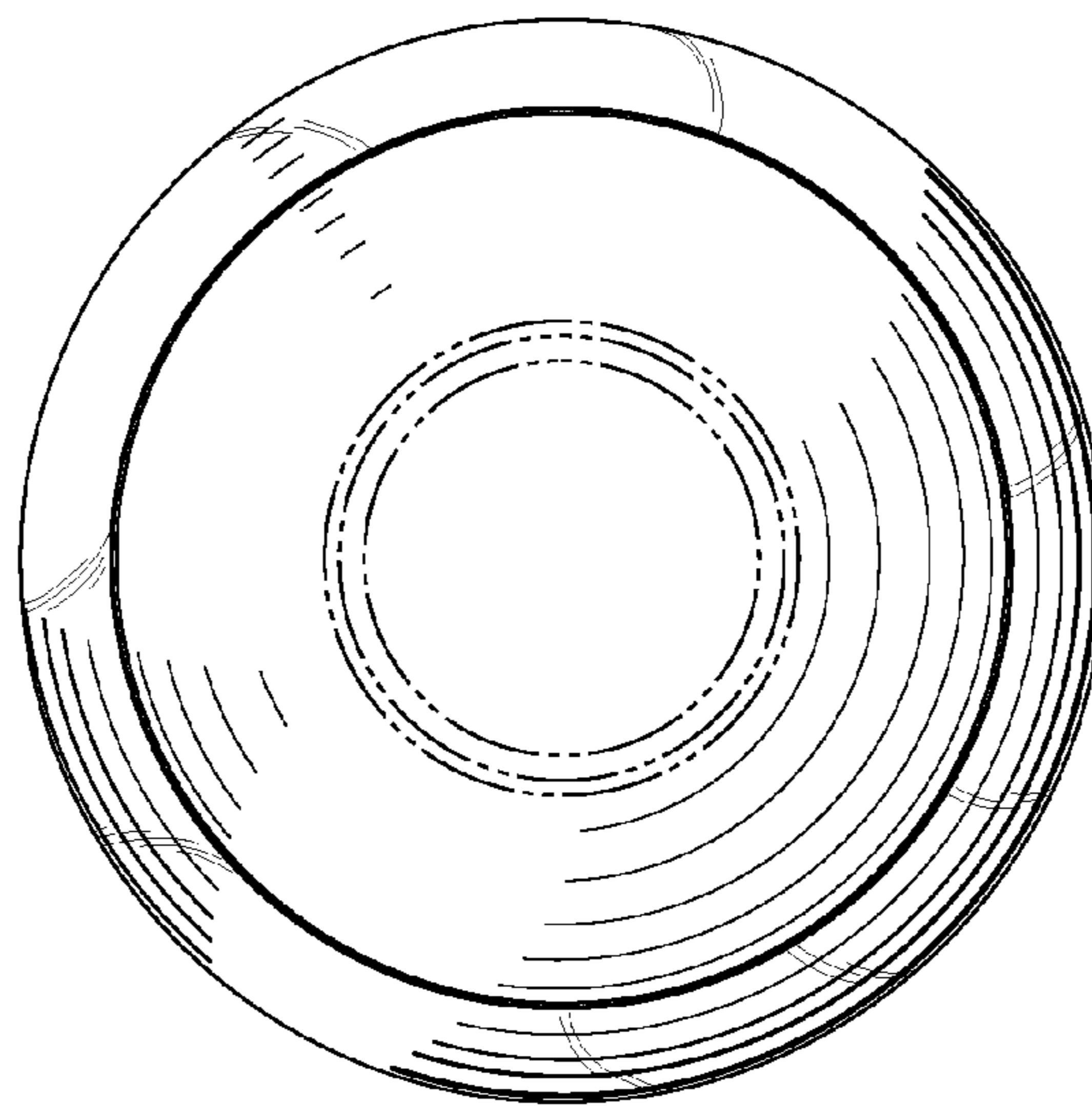


Fig. 16

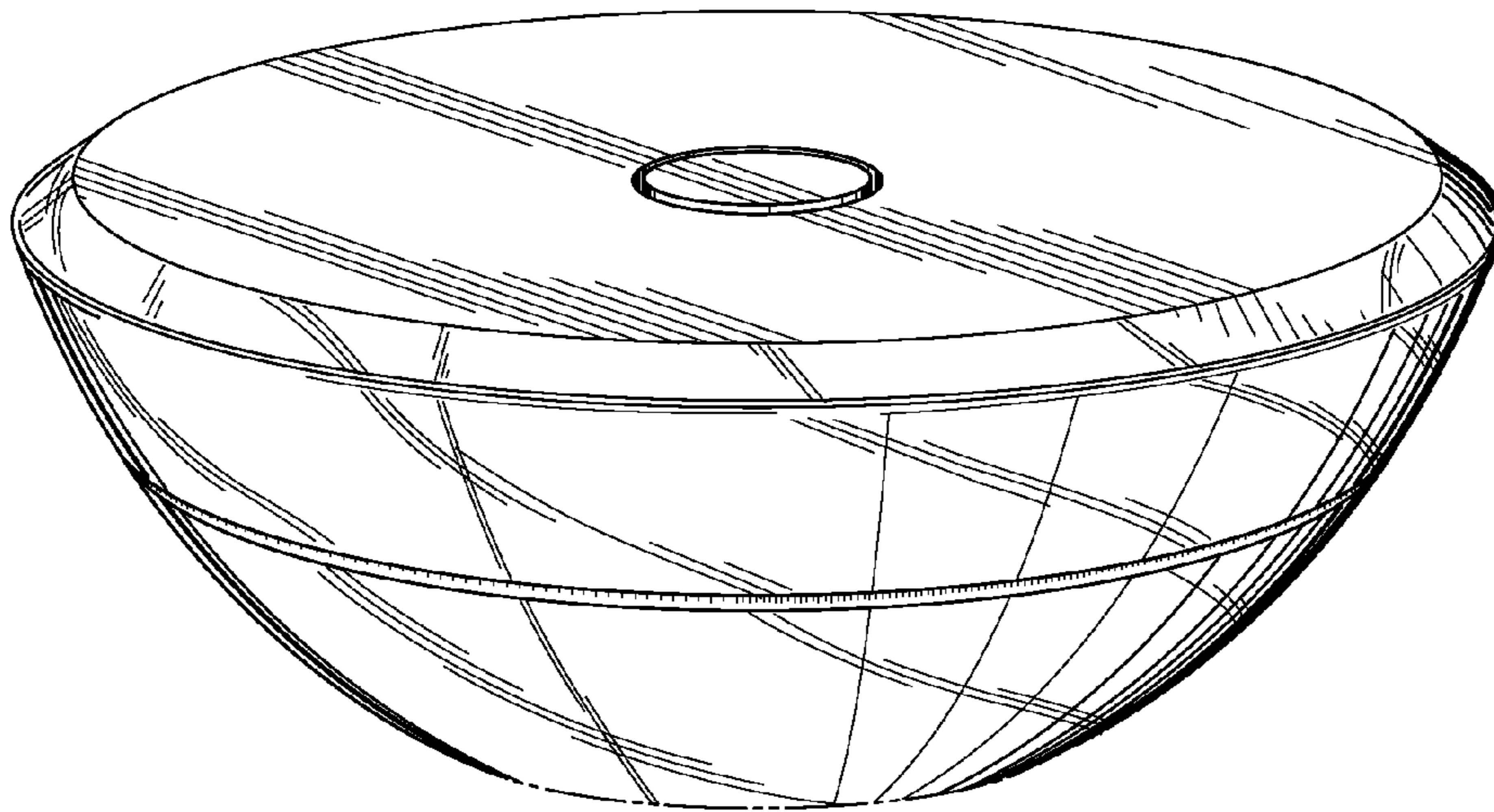


Fig. 17

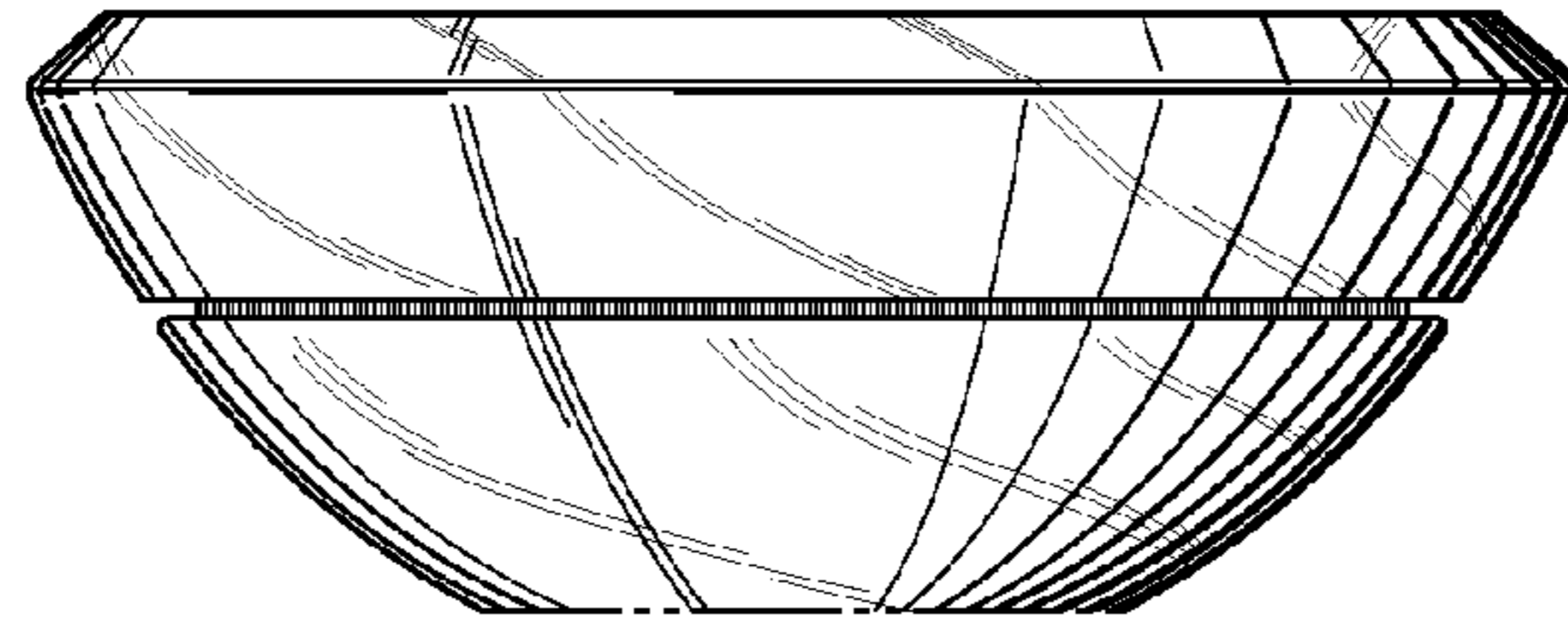


Fig. 18

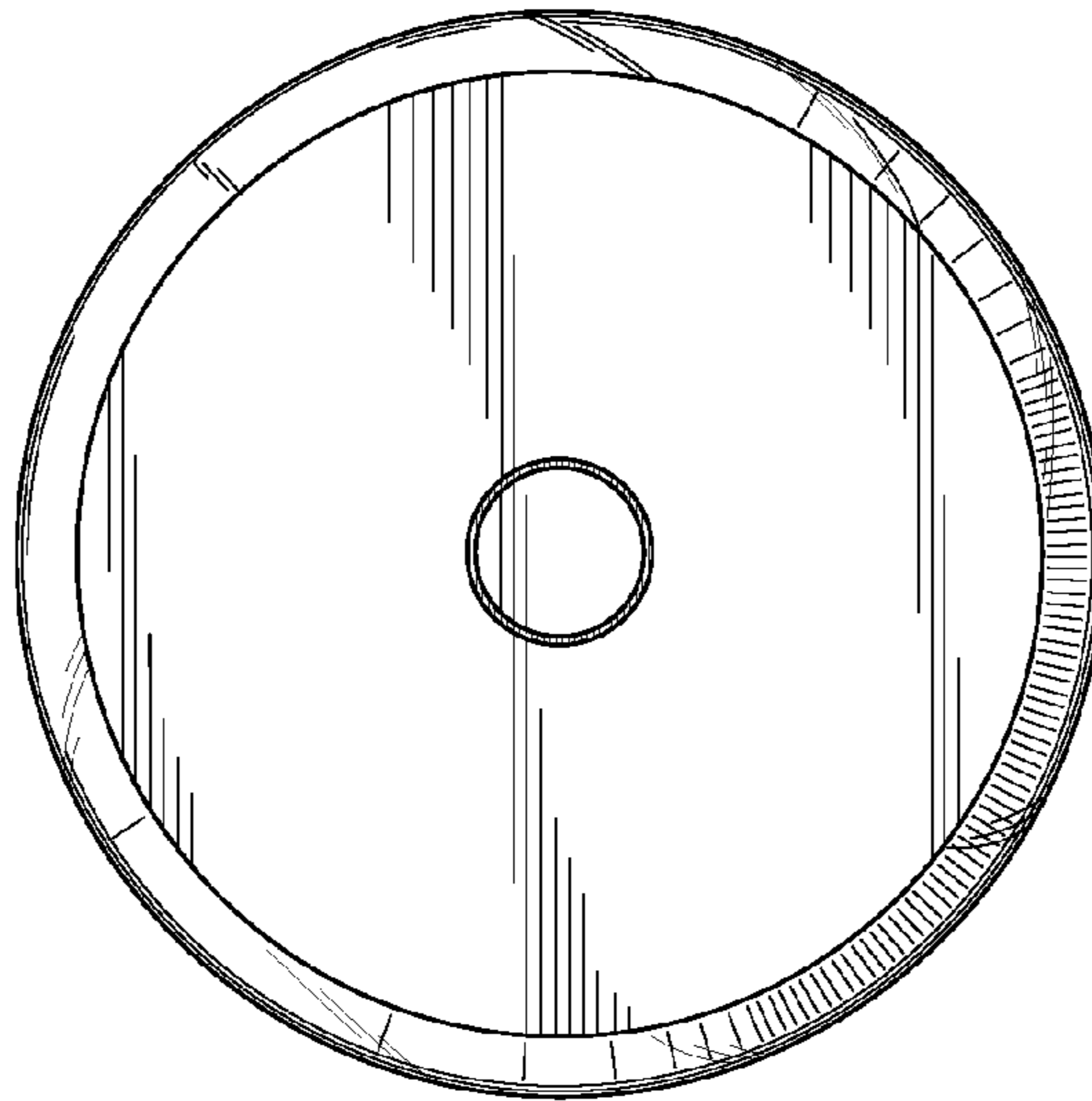


Fig. 19

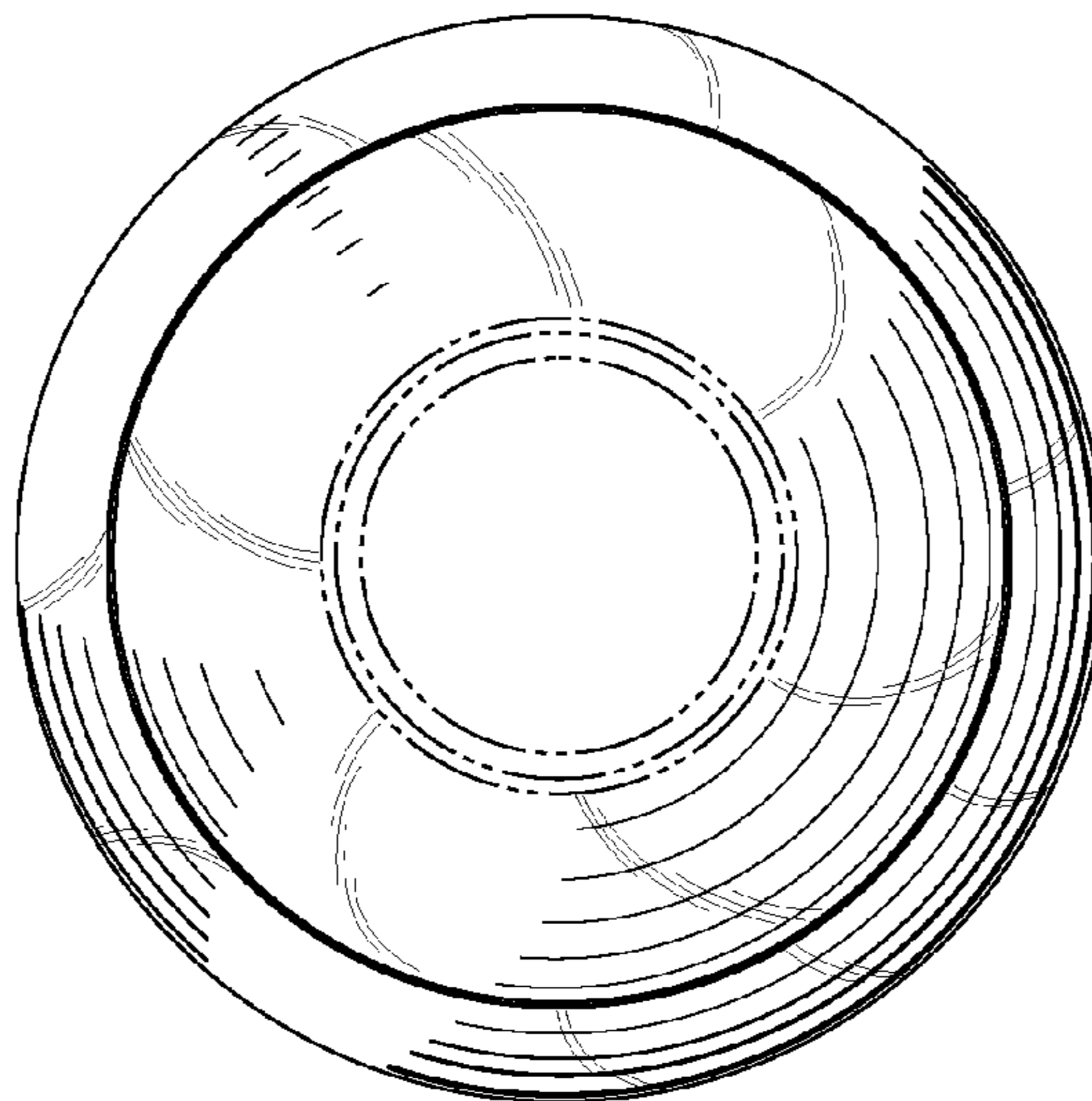


Fig. 20

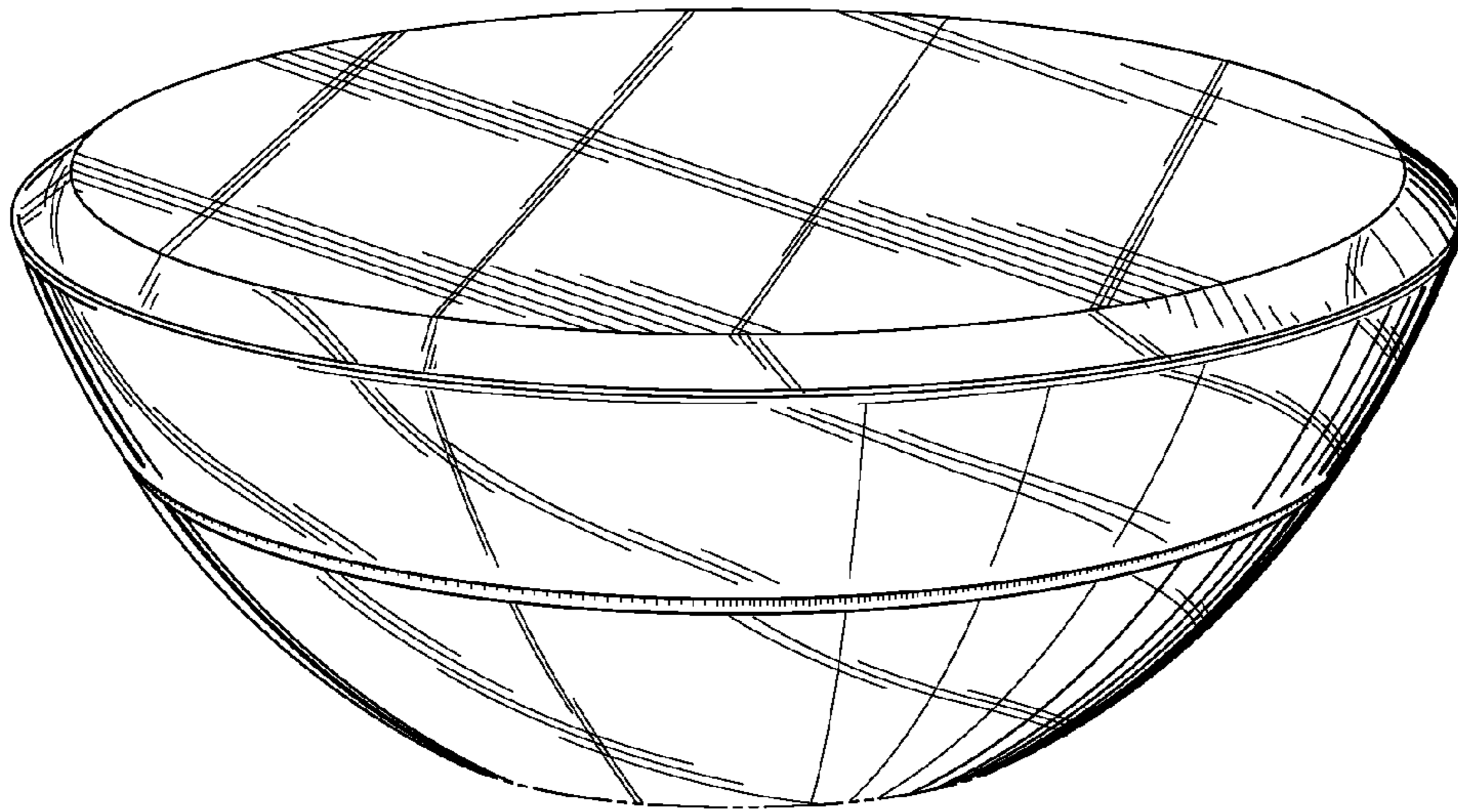


Fig. 21

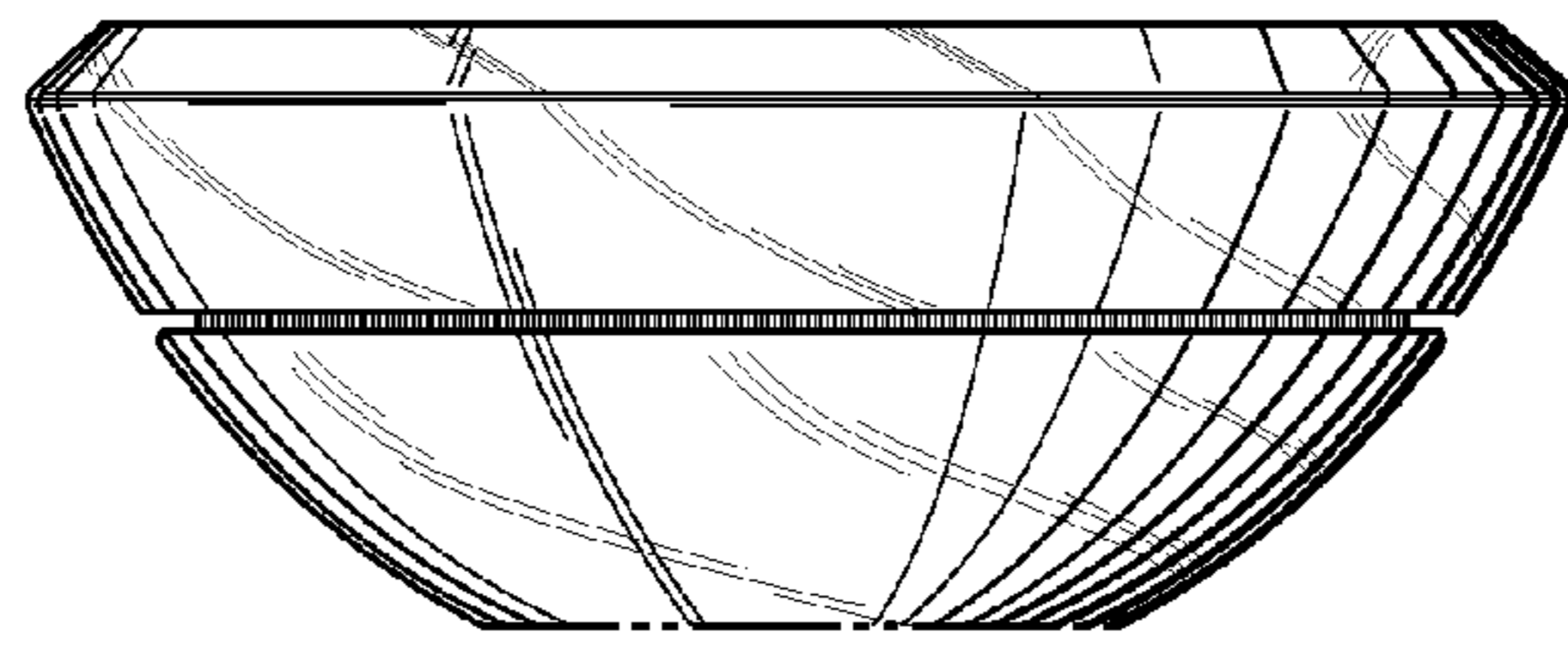


Fig. 22

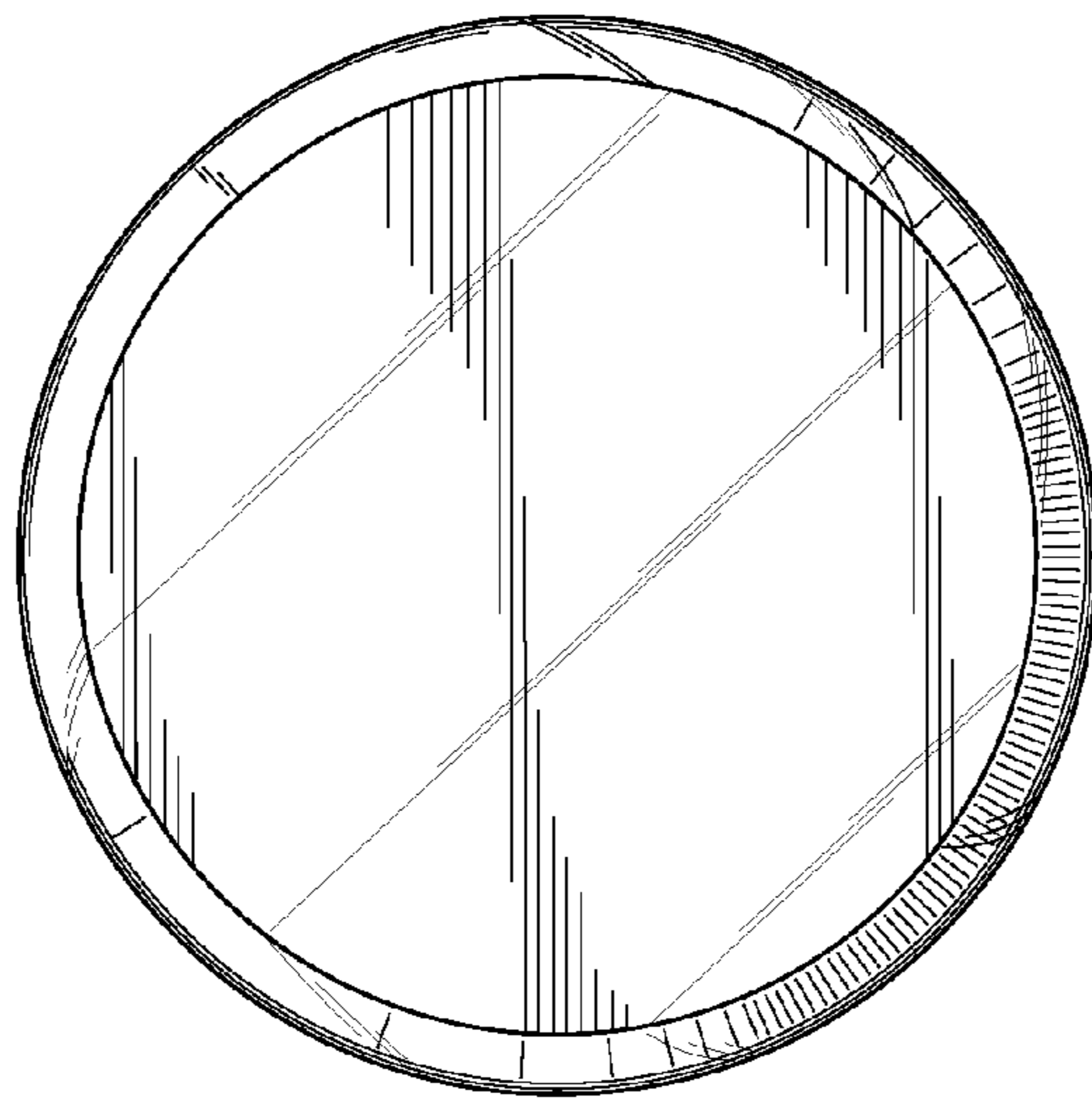


Fig. 23

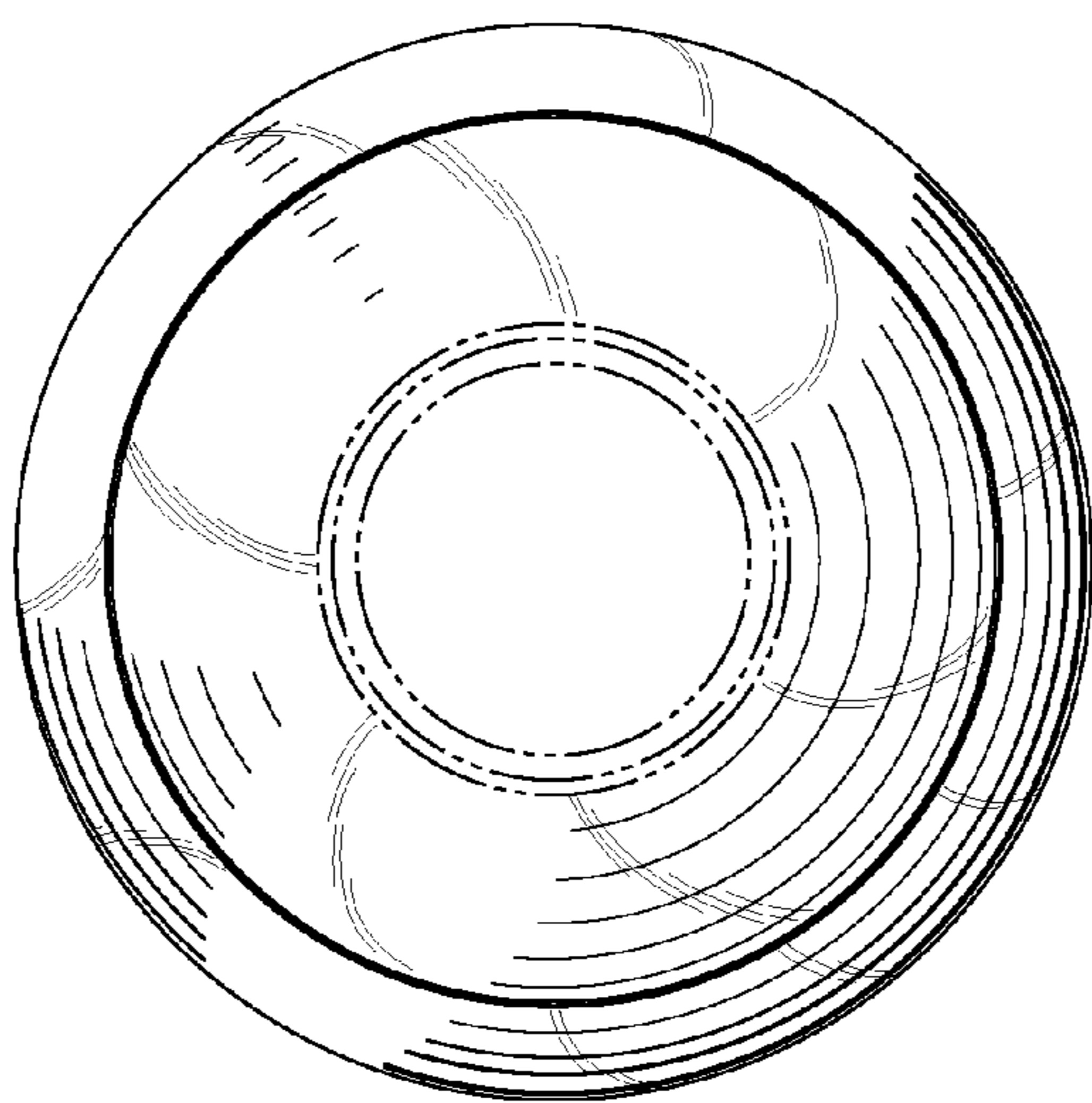


Fig. 24

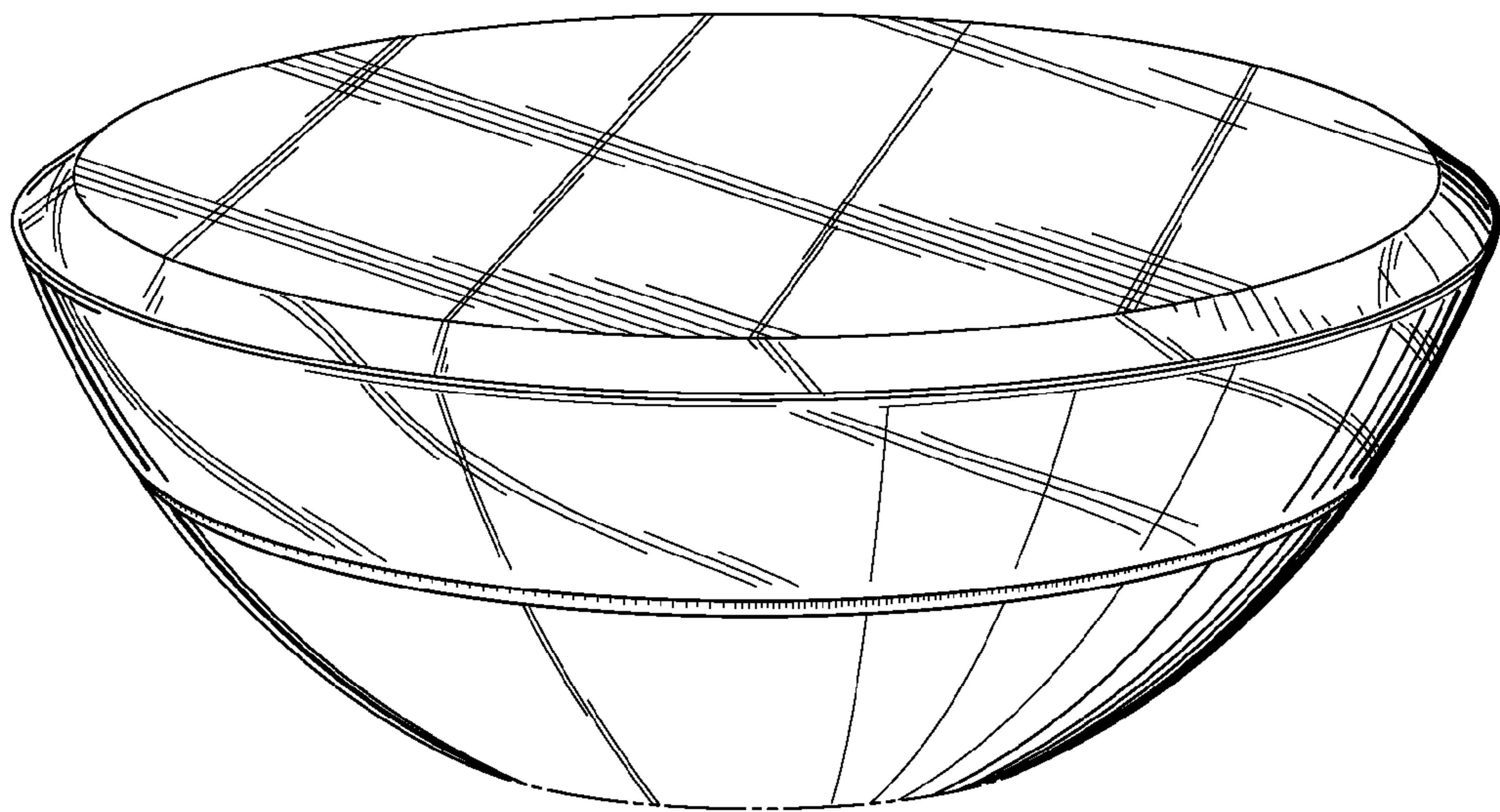


Fig. 25

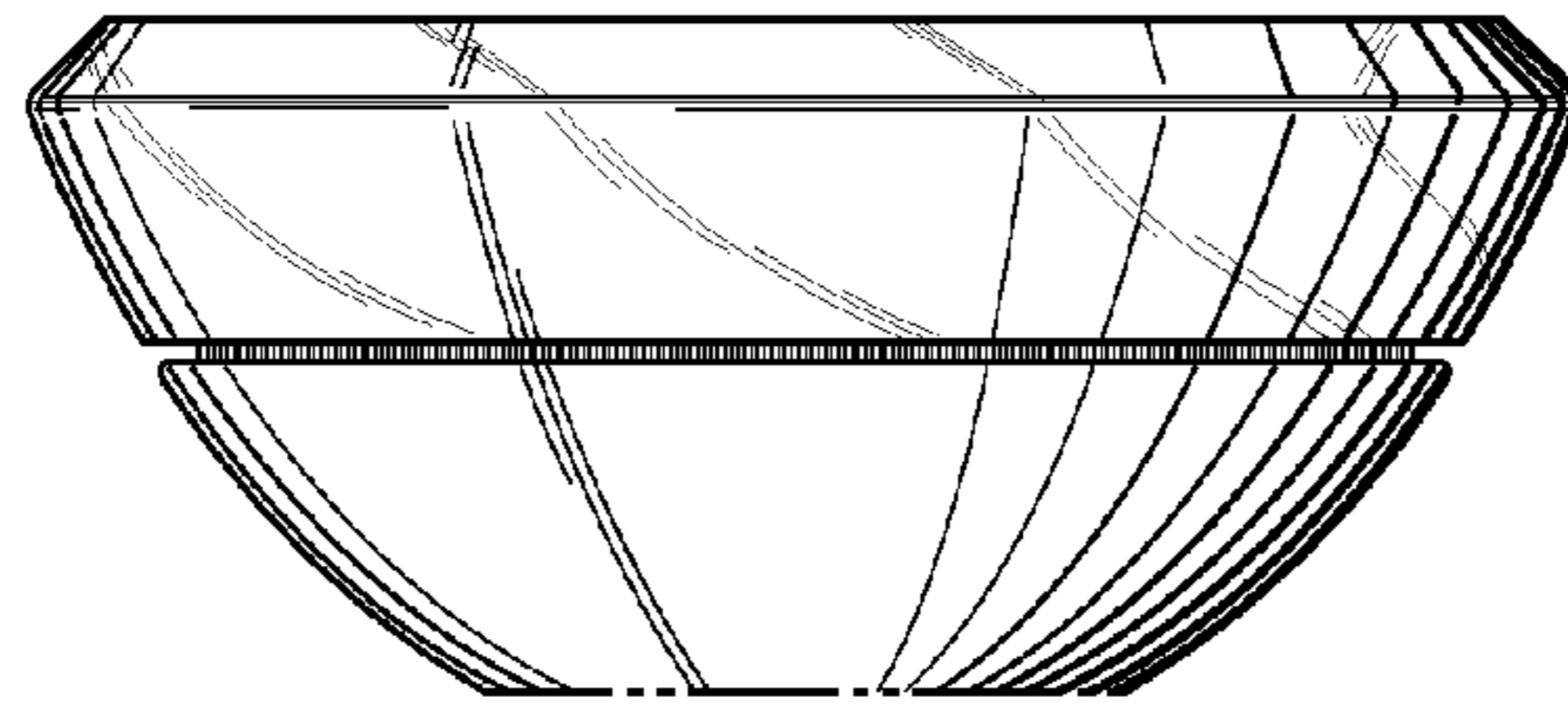


Fig. 26

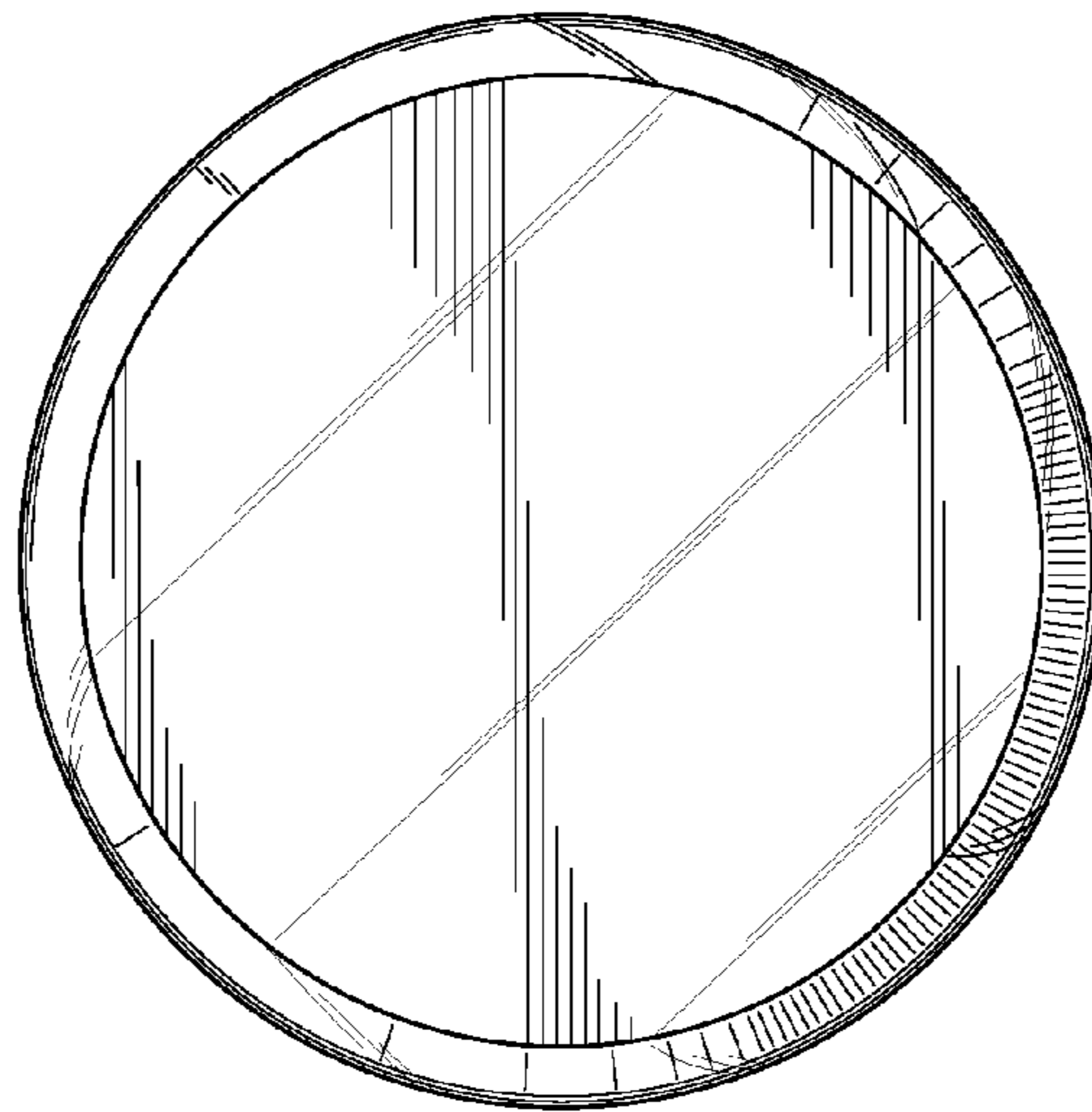


Fig. 27

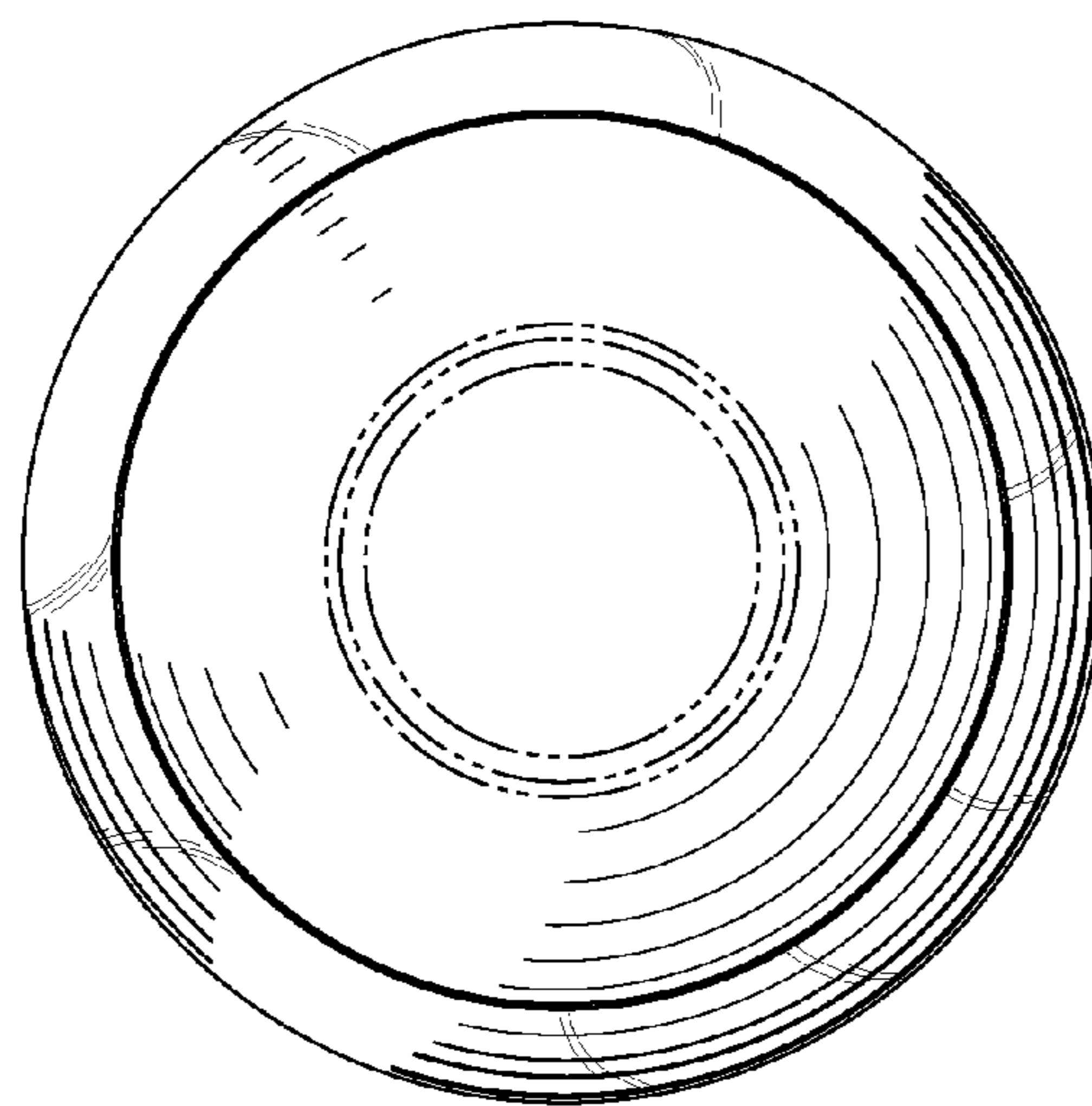


Fig. 28

UNITED STATES PATENT AND TRADEMARK OFFICE
CERTIFICATE OF CORRECTION

PATENT NO. : Des. 543,848 S
APPLICATION NO. : 29/246630
DATED : June 5, 2007
INVENTOR(S) : Mettler et al.

Page 1 of 1

It is certified that error appears in the above-identified patent and that said Letters Patent is hereby corrected as shown below:

On the title page in the Description, Fig. 13, Line 1:
after "view" remove -- o --.

Signed and Sealed this

Sixteenth Day of October, 2007

A handwritten signature in black ink on a light gray dotted background. The signature reads "Jon W. Dudas" in a cursive style.

JON W. DUDAS

Director of the United States Patent and Trademark Office