



US00D543844S

(12) **United States Design Patent**
Cook et al.

(10) **Patent No.:** **US D543,844 S**
(45) **Date of Patent:** **** Jun. 5, 2007**

(54) **PROTECTIVE SLEEVE**

(75) Inventors: **Matthew R. Cook**, Hinsdale, IL (US);
Ana Ivette Morales, Chicago, IL (US)

(73) Assignee: **LBP Manufacturing, Inc.**, Cicero, IL
(US)

(**) Term: **14 Years**

(21) Appl. No.: **29/258,611**

(22) Filed: **Apr. 24, 2006**

(51) **LOC (8) Cl.** **09-07**

(52) **U.S. Cl.** **D9/444**

(58) **Field of Classification Search** D9/711,
D9/702, 499, 444, 434; D7/624.2, 624.1;
220/15, 903, 738, 739; 224/904; 229/400,
229/403; 428/34.2

See application file for complete search history.

(56) **References Cited**

U.S. PATENT DOCUMENTS

5,205,473	A *	4/1993	Coffin, Sr.	229/403
5,222,656	A *	6/1993	Carlson	229/403
5,385,260	A *	1/1995	Gatcomb	229/400
5,826,786	A *	10/1998	Dickert	229/403
D401,122	S *	11/1998	Rench et al.	D7/624.2
6,152,363	A *	11/2000	Rule, Jr.	229/403
6,158,612	A *	12/2000	Alpert	220/739
6,277,454	B1 *	8/2001	Neale et al.	428/34.2
D493,108	S *	7/2004	Burr et al.	D9/433
D524,118	S *	7/2006	Gregorczyk	D7/624.2

* cited by examiner

Primary Examiner—Robert M. Spear

Assistant Examiner—Susan Bennett Hattan

(74) *Attorney, Agent, or Firm*—Brinks Hofer Gilson & Lione

(57) **CLAIM**

We claim the ornamental design for a protective sleeve, as shown and described.

DESCRIPTION

FIG. 1 is a front perspective view of the protective sleeve assembled with a cup.

FIG. 2 is a back perspective view of the protective sleeve assembled with a cup.

FIG. 3 is a top view of an unassembled protective sleeve.

FIG. 4 is a bottom view of an unassembled protective sleeve.

FIG. 5 is a top view of a side of an unassembled protective sleeve.

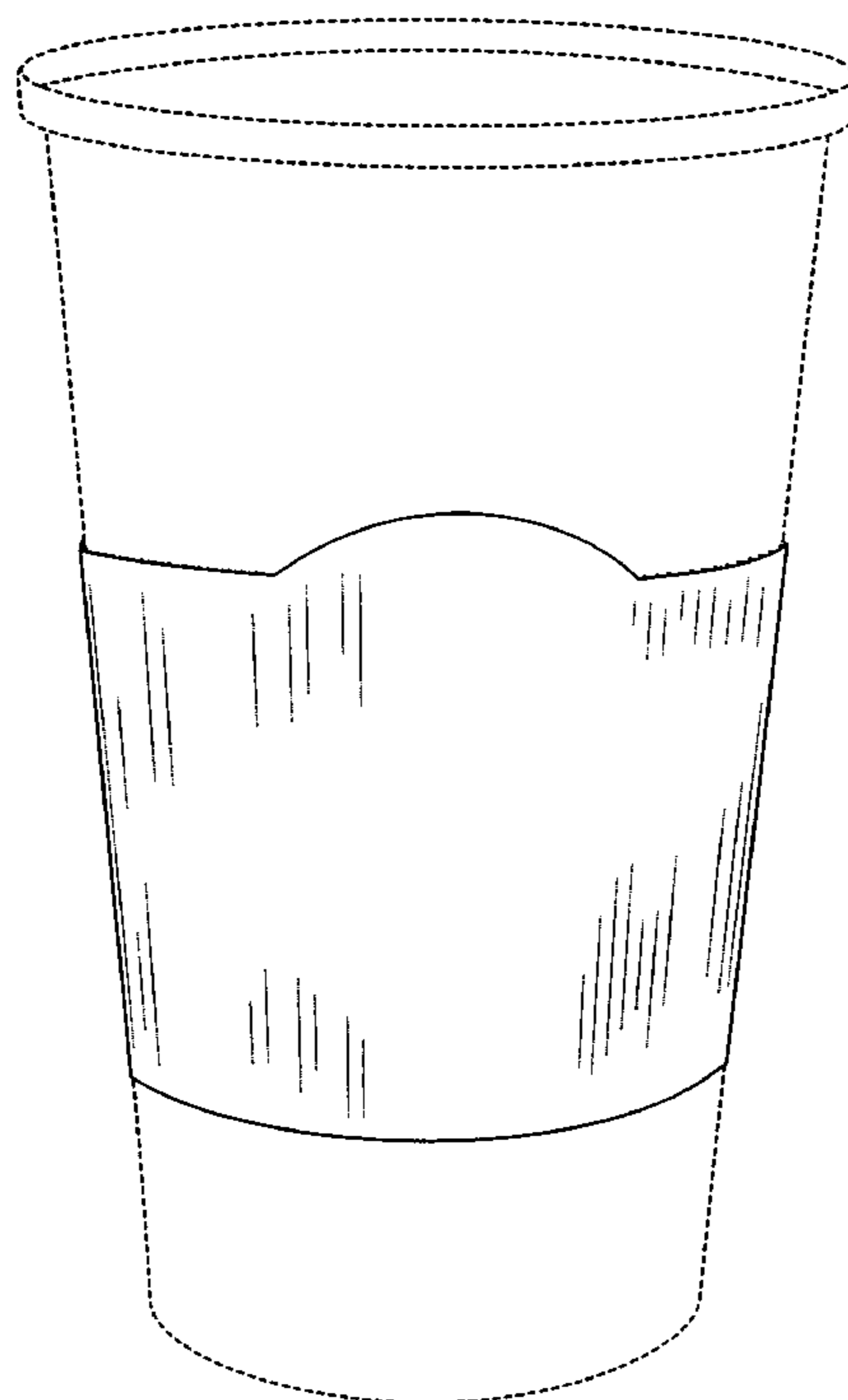
FIG. 6 is a bottom view of a side of an unassembled protective sleeve.

FIG. 7 is a right view of a side of an unassembled protective sleeve; and,

FIG. 8 is a left view of a side of an unassembled protective sleeve.

Any broken lines in the drawings are for illustrative purposes only and form no part of the claimed design.

1 Claim, 7 Drawing Sheets



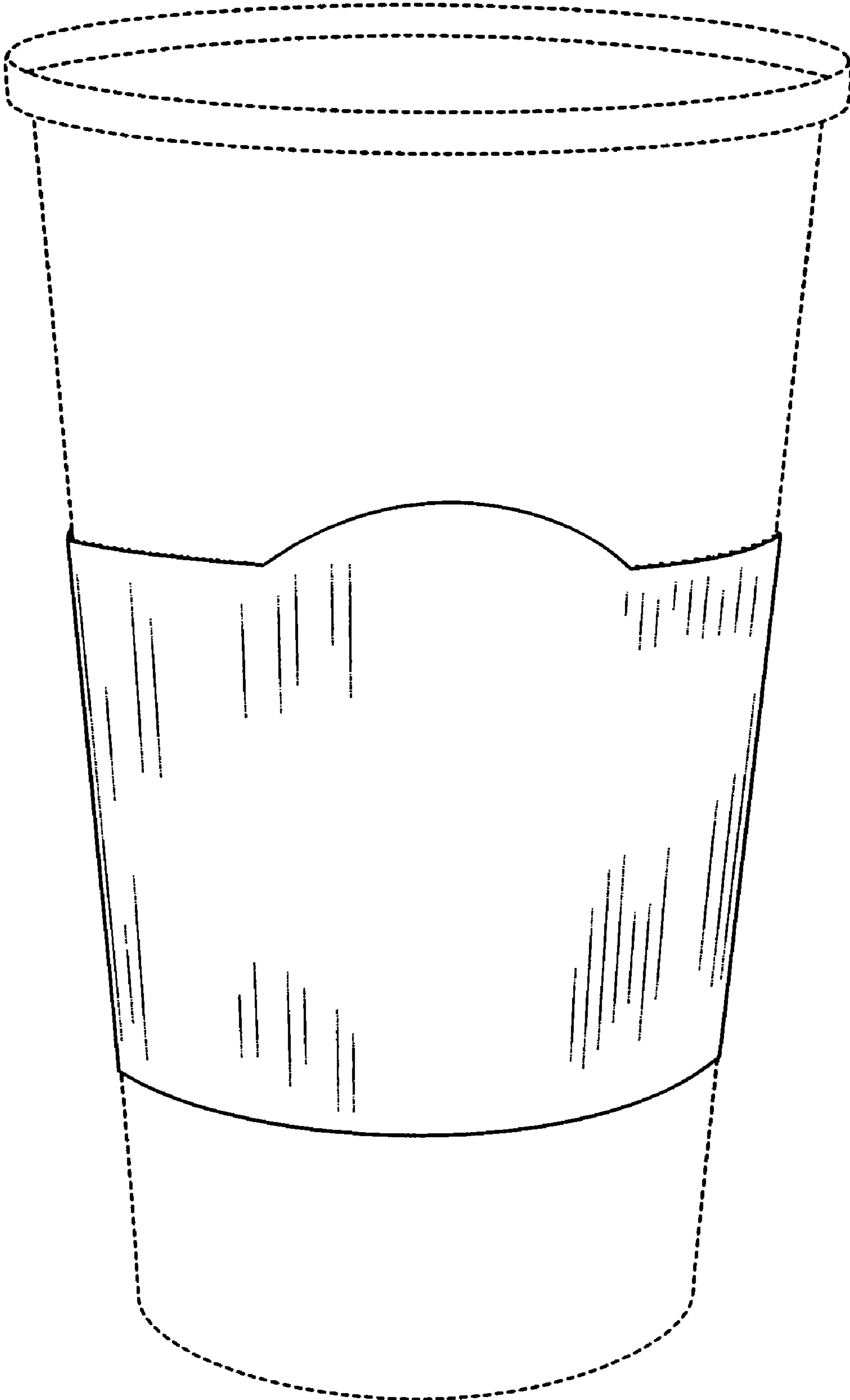


FIG. 1

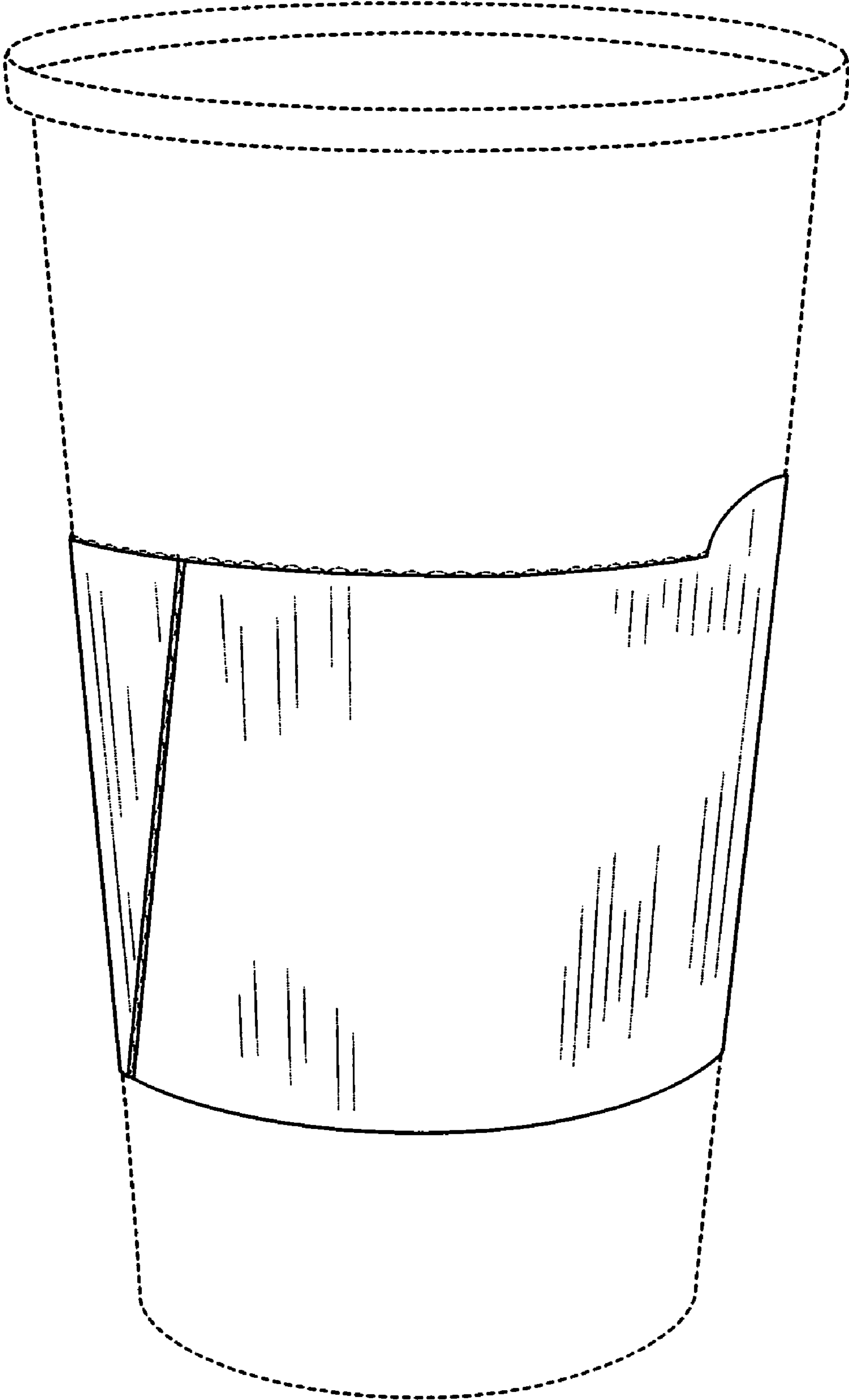


FIG. 2

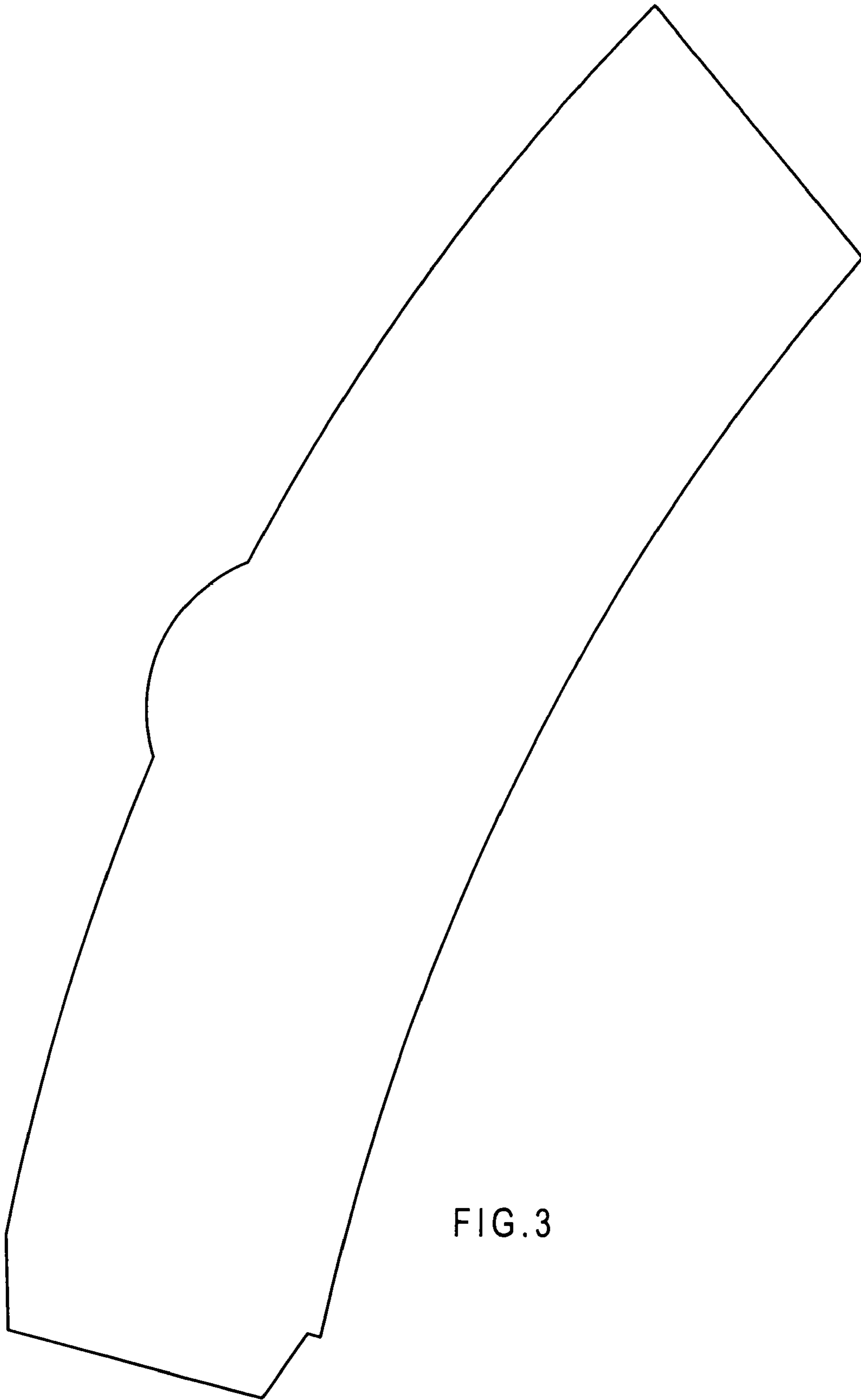


FIG. 3

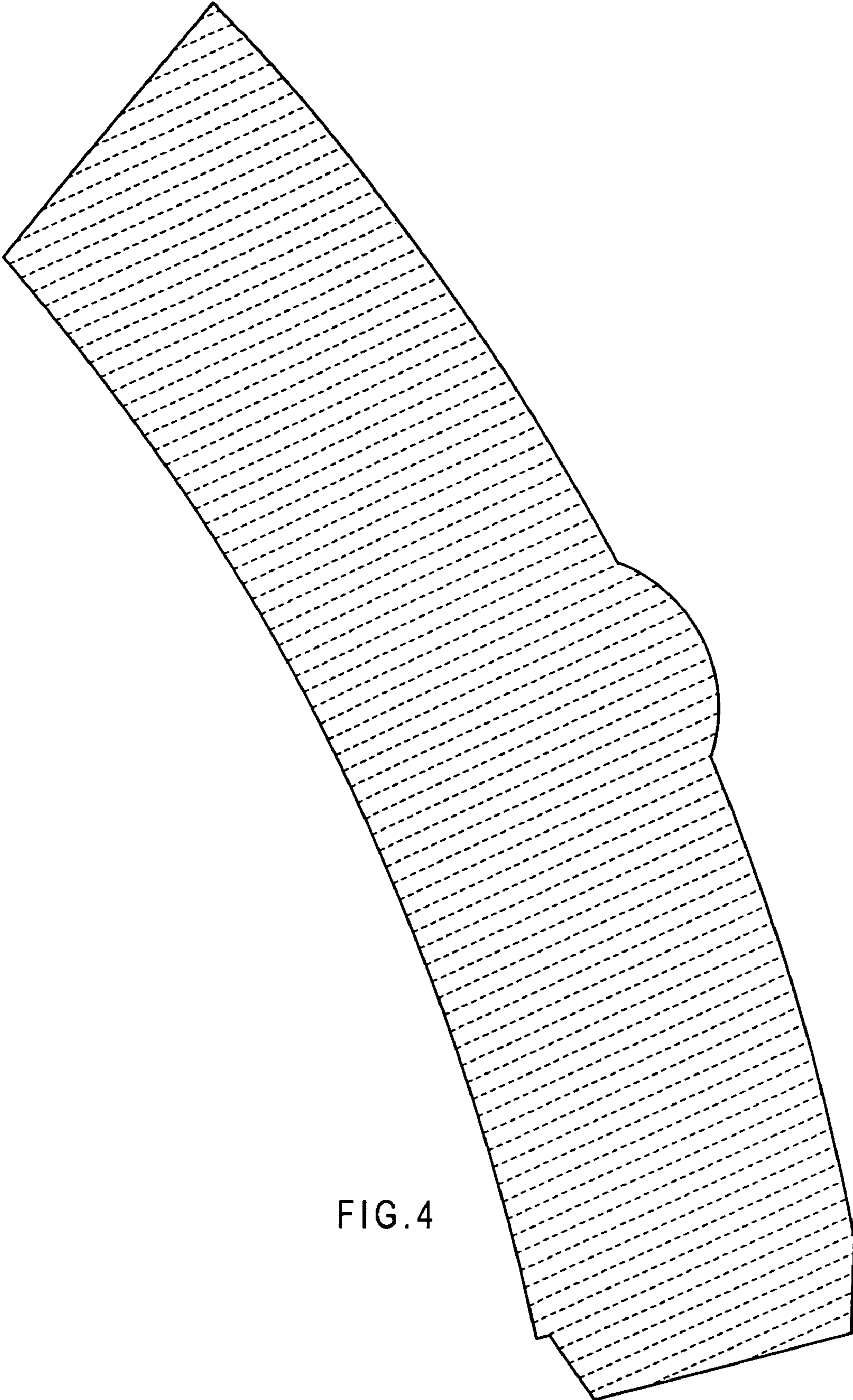


FIG. 4



FIG. 5

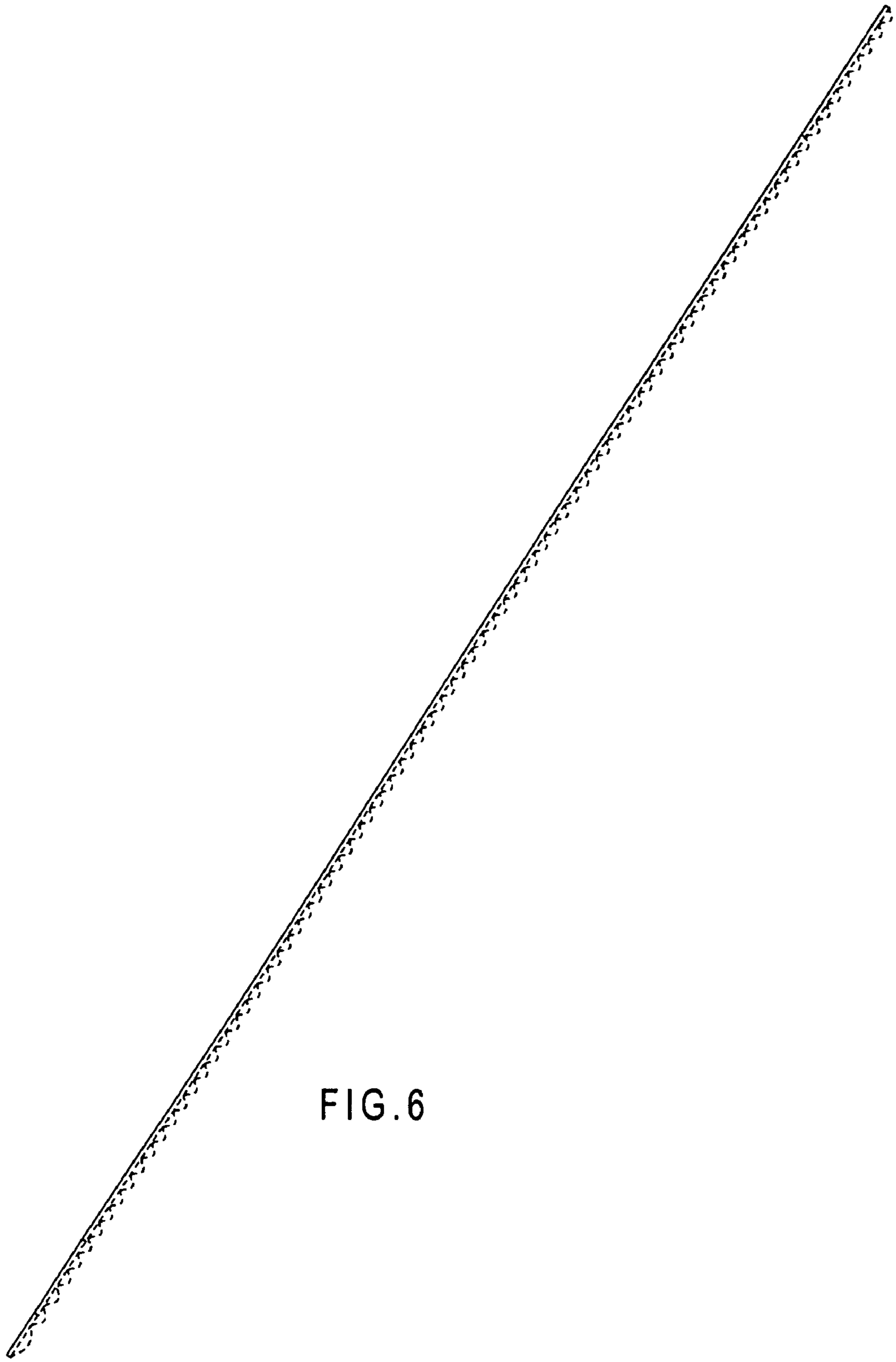


FIG. 6



FIG. 7

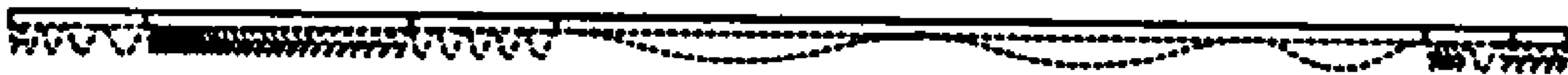


FIG. 8