

US00D543843S

(12) **United States Design Patent**  
**Gehring et al.**

(10) **Patent No.:** **US D543,843 S**

(45) **Date of Patent:** **\*\* Jun. 5, 2007**

(54) **FOOD CONTAINER**

(75) Inventors: **Jay Edward Gehring**, Frisco, TX (US); **Eric Thomas Henderson**, Dallas, TX (US); **John Joseph Michels**, Highland Village, TX (US)

(73) Assignee: **Frito-Lay North America, Inc.**, Plano, TX (US)

(\*\*) Term: **14 Years**

(21) Appl. No.: **29/257,969**

(22) Filed: **Apr. 13, 2006**

(51) **LOC (8) Cl.** ..... **09-03**

(52) **U.S. Cl.** ..... **D9/425**

(58) **Field of Classification Search** ..... D9/416, D9/424, 425, 428, 429, 430, 432, 737, 756, D9/759, 760, 761; D7/602, 608, 614; 229/400, 229/404, 406, 407, 902; 426/108, 115, 119; 206/503, 508, 518, 519, 557, 558, 563, 524.8, 206/223, 541, 469, 459.5, 820; 220/23.4, 220/23.8, 23.83, 669, 674, 675, 556, 557, 220/659, 359.1, 359.2, 574, 359.4, 608, 573.4, 220/623

See application file for complete search history.

(56) **References Cited**

**U.S. PATENT DOCUMENTS**

D215,824 S	*	11/1969	Vanderhyde	.....	D9/429
D216,870 S	*	3/1970	Gregor	.....	D9/429
D219,959 S	*	2/1971	Anderson	.....	D9/425
D220,031 S	*	3/1971	Donovan	.....	D9/429
D234,574 S	*	3/1975	Schimkat	.....	D9/425
D241,622 S	*	9/1976	Smith	.....	D9/760
D245,896 S	*	9/1977	Philippon	.....	D9/425
4,104,349 A		8/1978	Hillgenberg		
D263,681 S	*	4/1982	Parr	.....	D9/760
D264,244 S	*	5/1982	Olsen	.....	D24/226
D265,462 S	*	7/1982	Andrulionis et al.	.....	D9/429
D265,798 S	*	8/1982	Ossola	.....	D9/429
D273,842 S	*	5/1984	Jeannin	.....	D9/758
4,462,494 A		7/1984	Cunningham		

D289,499 S	*	4/1987	Drummond et al.	.....	D9/429
D289,854 S	*	5/1987	Lane et al.	.....	D9/760
4,799,590 A		1/1989	Furman		
4,875,620 A	*	10/1989	Lane, Sr.	.....	229/404
D313,556 S	*	1/1991	Smith	.....	D9/425
4,990,562 A		2/1991	Chou et al.		
D317,567 S	*	6/1991	Lane, Sr.	.....	D9/425
D317,568 S	*	6/1991	Lane, Sr.	.....	D9/425

(Continued)

**OTHER PUBLICATIONS**

Henderson, et al., U.S. Appl. No. 11/358,567, filed with the USPTO on Feb. 20, 2006, entitled "Food Container."

*Primary Examiner*—Stella Reid

*Assistant Examiner*—Mark Goodwin

(74) *Attorney, Agent, or Firm*—Carstens & Cahoon, LLP; Colin P. Cahoon

(57) **CLAIM**

The ornamental design for a food container, as shown and described.

**DESCRIPTION**

FIG. 1 is a top perspective view of the food container of the present invention;

FIG. 2 is a front elevation view of the food container of the present invention, with the rear elevation view a mirror image of the front elevation view;

FIG. 3 is a left elevation view of the food container of the present invention;

FIG. 4 is a right elevation view of the food container of the present invention;

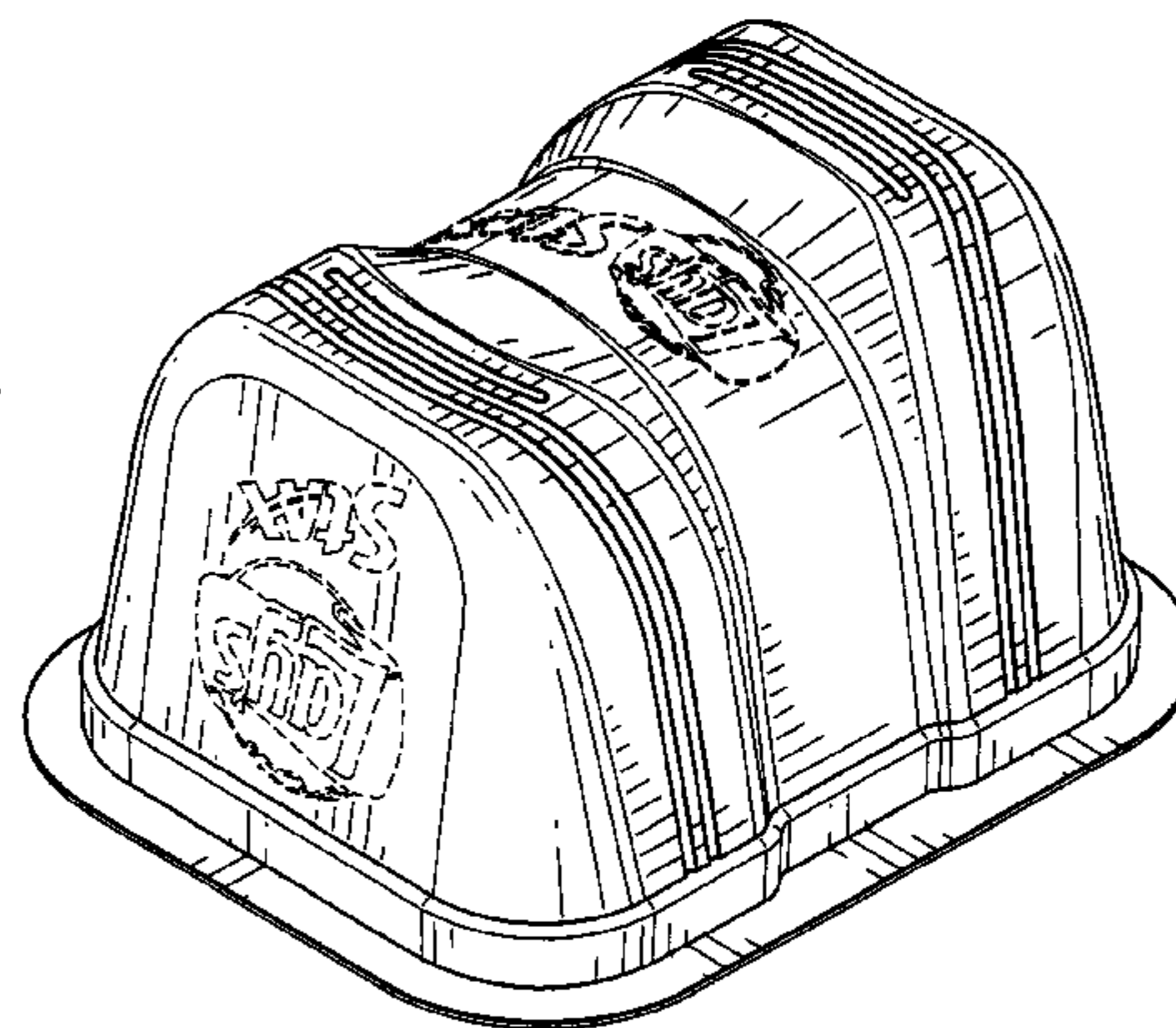
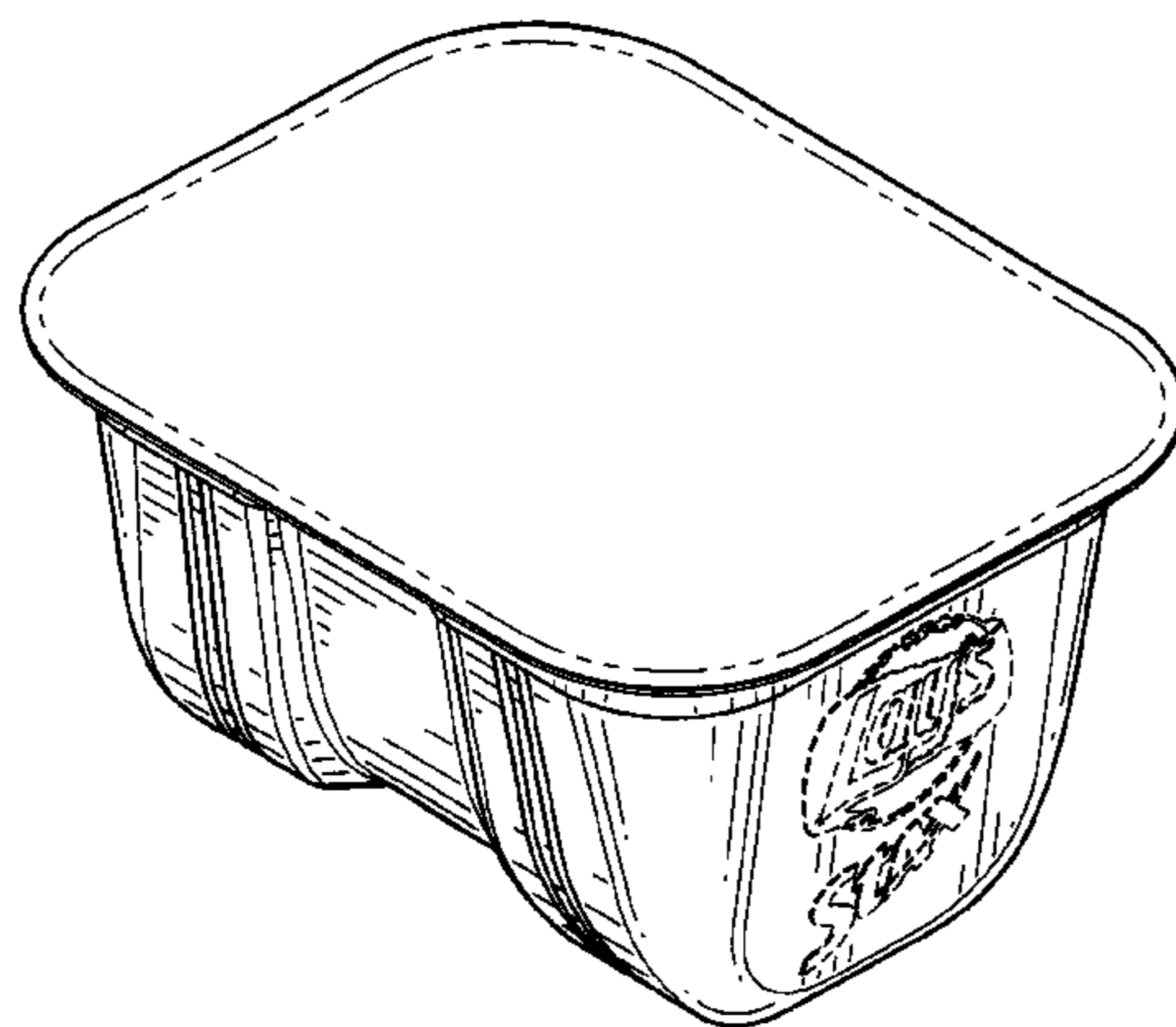
FIG. 5 is a top elevation view of the food container of the present invention;

FIG. 6 is a bottom elevation view of the food container of the present invention; and,

FIG. 7 is a bottom perspective view of the food container of the present invention.

The broken line showing product logos in FIGS. 1, 2, 3, 4, 6, and 7 is for illustrative purposes only and forms no part of the claimed design.

**1 Claim, 2 Drawing Sheets**



# US D543,843 S

Page 2

## U.S. PATENT DOCUMENTS

D317,569 S *	6/1991	Lane, Sr.	.....	D9/425	D439,839 S *	4/2001	Wolf et al.	.....	D9/431
D330,514 S *	10/1992	Edwards	.....	D9/431	D440,874 S *	4/2001	Shurtleff et al.	.....	D9/425
5,277,920 A	1/1994	Weaver, Jr.			6,274,246 B1	8/2001	Eggers et al.		
D351,790 S *	10/1994	Haindl	.....	D9/425	D452,152 S *	12/2001	Meeker et al.	.....	D9/429
5,409,127 A	4/1995	Stratford et al.			D453,108 S *	1/2002	Gasco	.....	D9/429
D369,971 S *	5/1996	Brauner et al.	.....	D9/428	6,371,324 B1	4/2002	Torniainen et al.		
5,527,570 A	6/1996	Addeo et al.			6,523,686 B1 *	2/2003	Bae	.....	206/315.9
5,543,104 A	8/1996	Stratford et al.			6,557,319 B1	5/2003	Nolfi, Jr.		
5,695,798 A *	12/1997	Rozzano	.....	426/115	6,699,543 B1	3/2004	Agarwal		
D394,005 S *	5/1998	Marijnissen	.....	D9/416	6,843,037 B2	1/2005	Nolfi, Jr.		
5,782,376 A *	7/1998	Brauner et al.	.....	220/669	D507,740 S *	7/2005	Ruiz et al.	.....	D9/425
D417,785 S *	12/1999	Daniels	.....	D3/313	6,942,097 B1	9/2005	Stremple et al.		
6,042,906 A	3/2000	Itoh et al.			D510,263 S *	10/2005	Isono et al.	.....	D9/425
6,086,931 A *	7/2000	Whiteford	.....	426/118	D512,631 S *	12/2005	Lhoste et al.	.....	D9/428
D430,023 S *	8/2000	Shurtleff et al.	.....	D9/425	7,104,416 B2 *	9/2006	Gasco et al.	.....	220/608

\* cited by examiner

FIG. 1

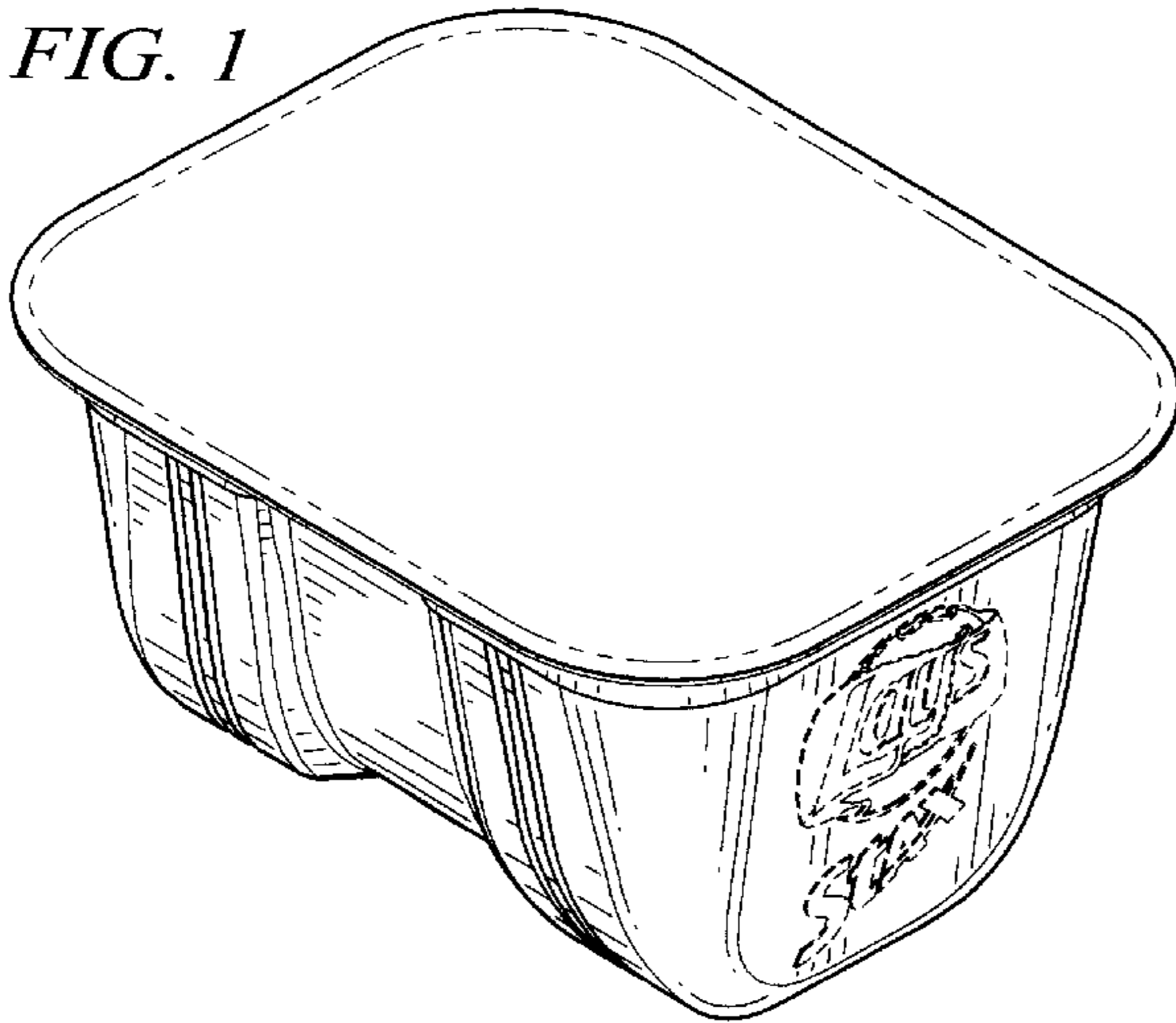


FIG. 2

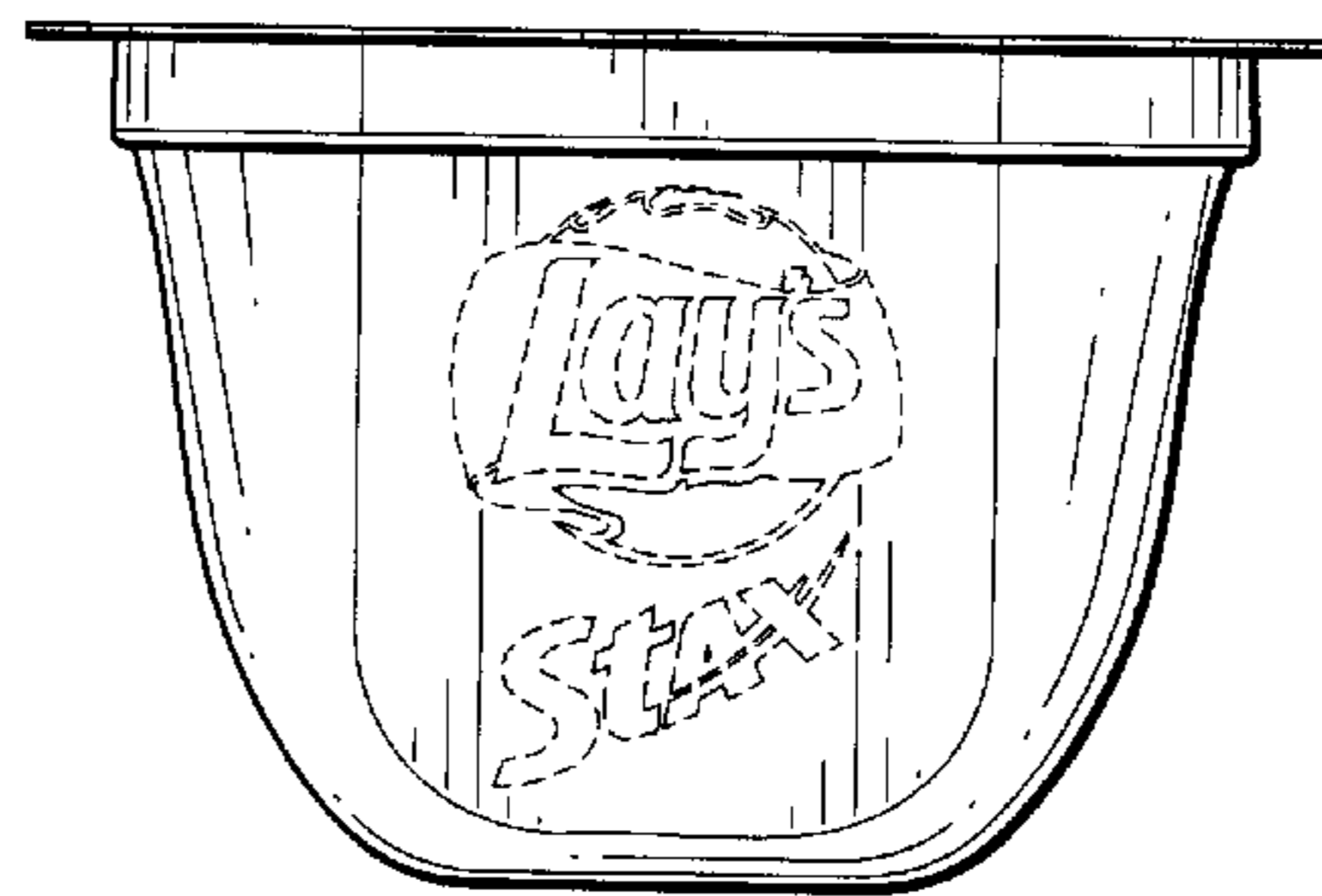


FIG. 3

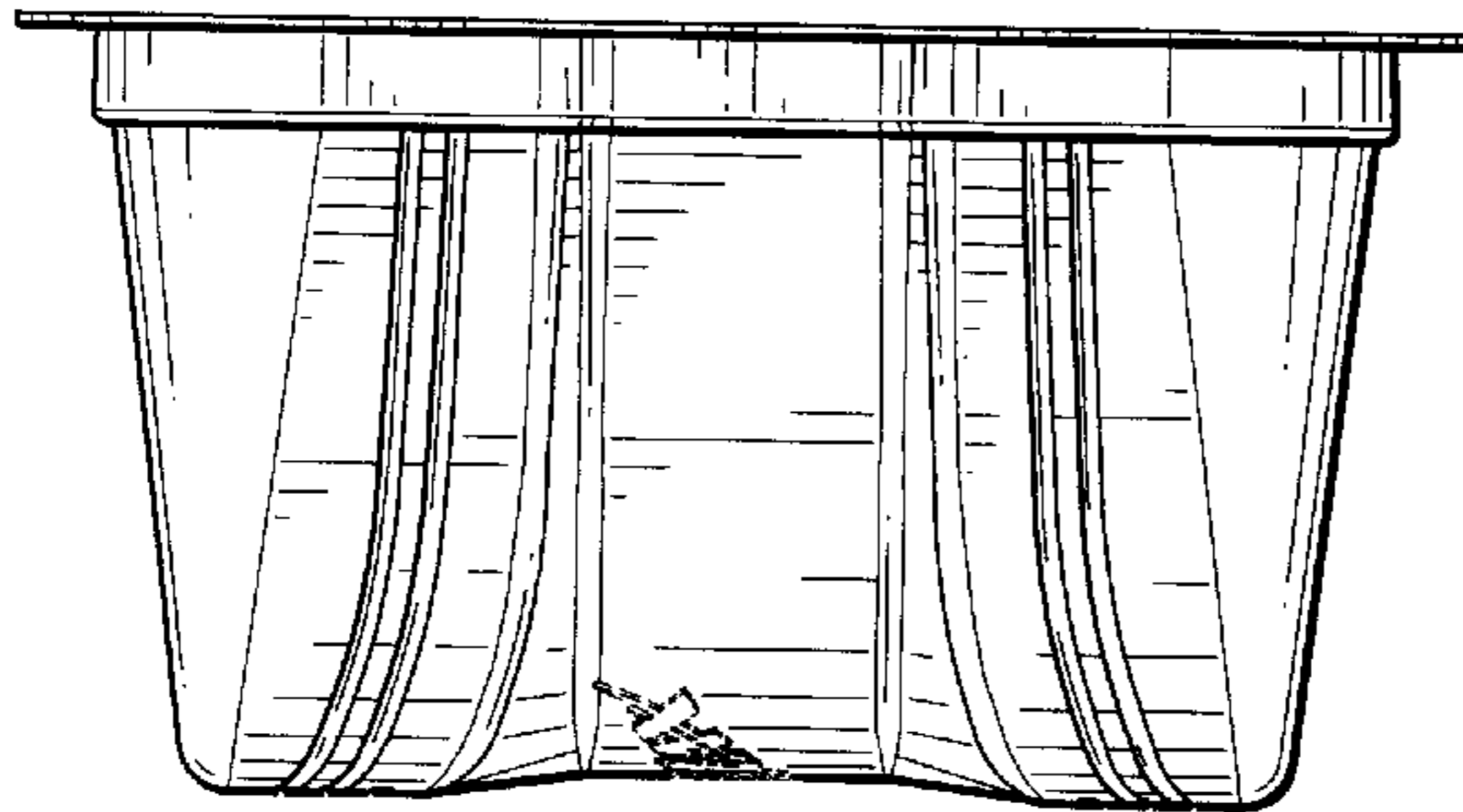
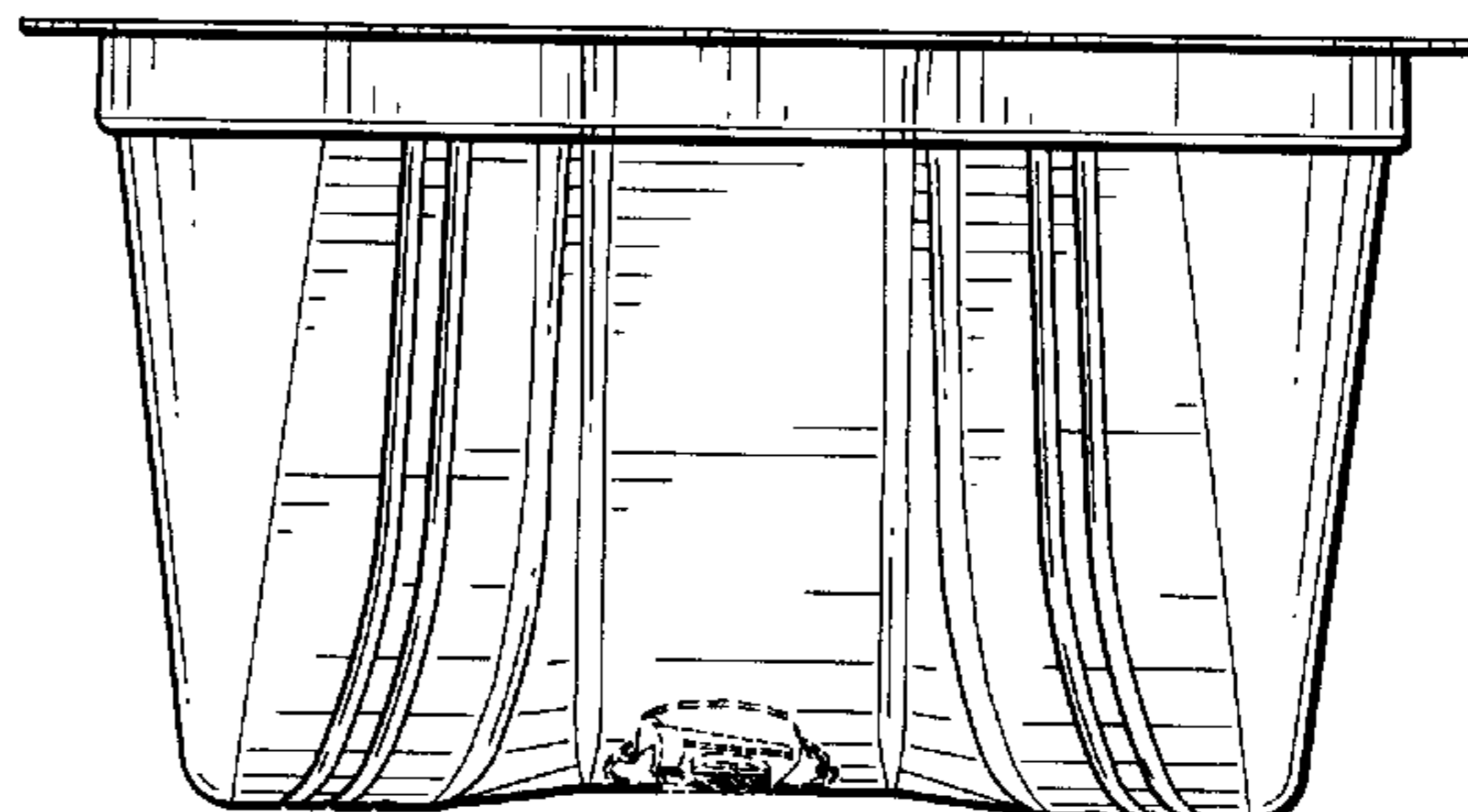


FIG. 4



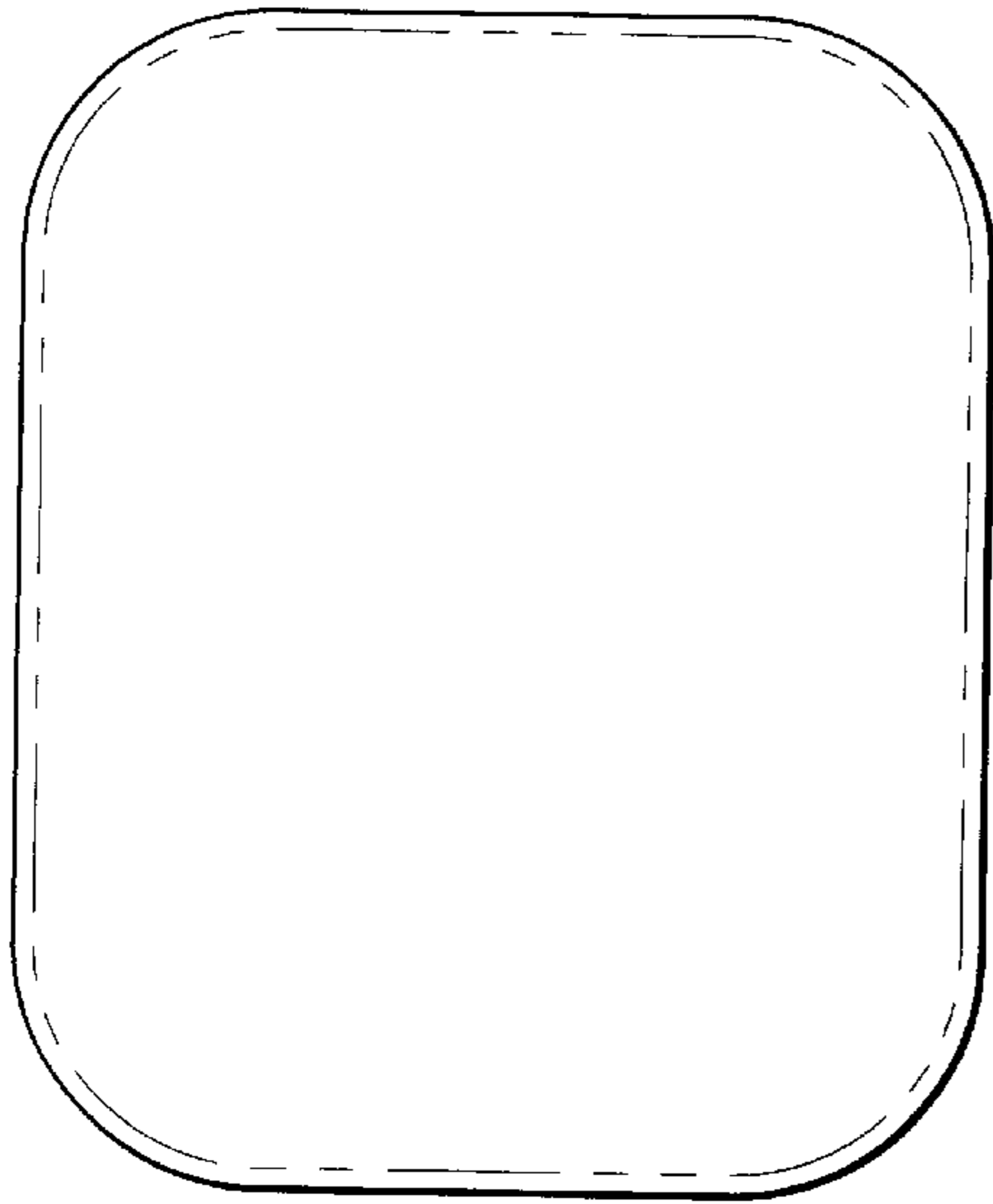


FIG. 5

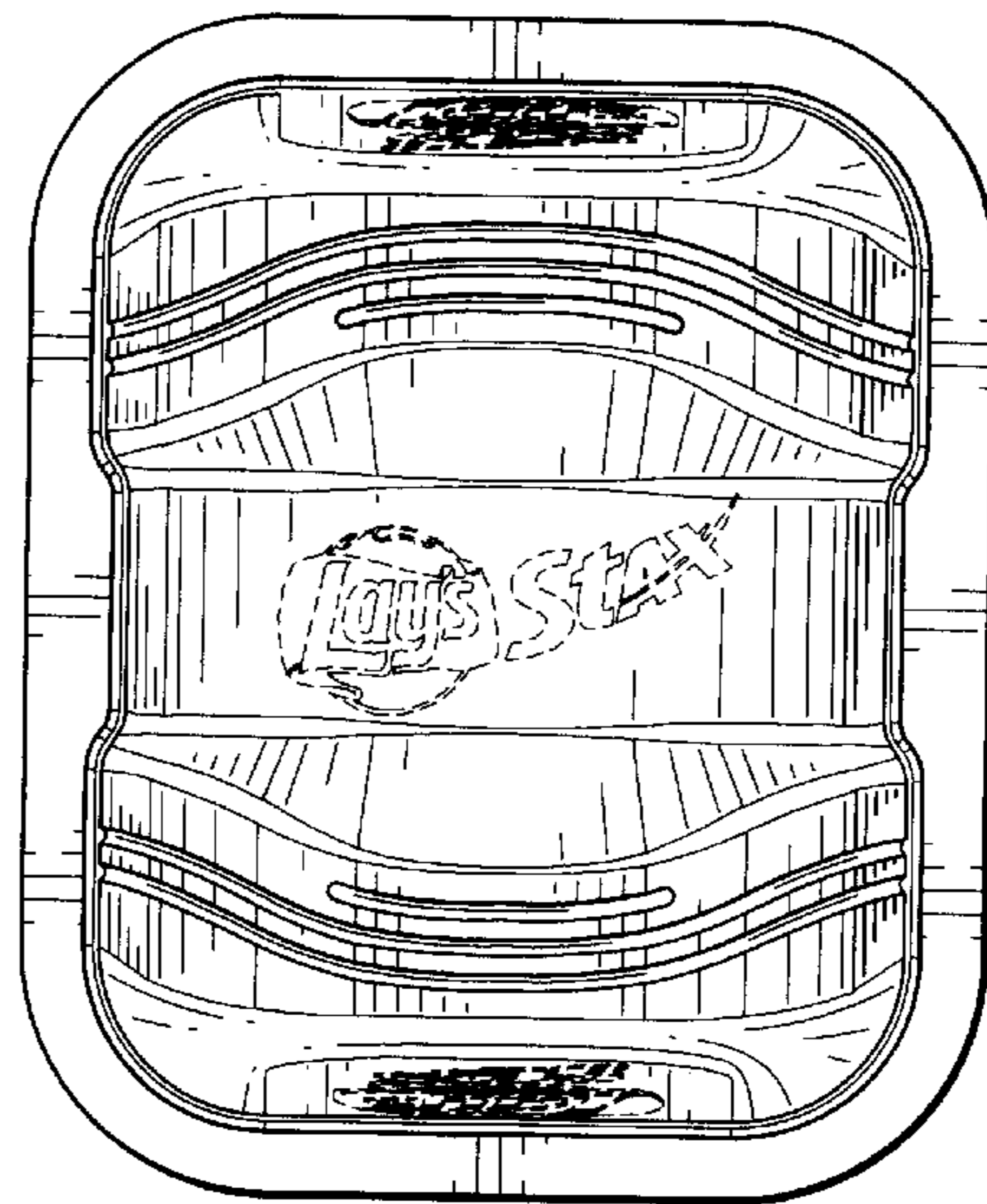


FIG. 6

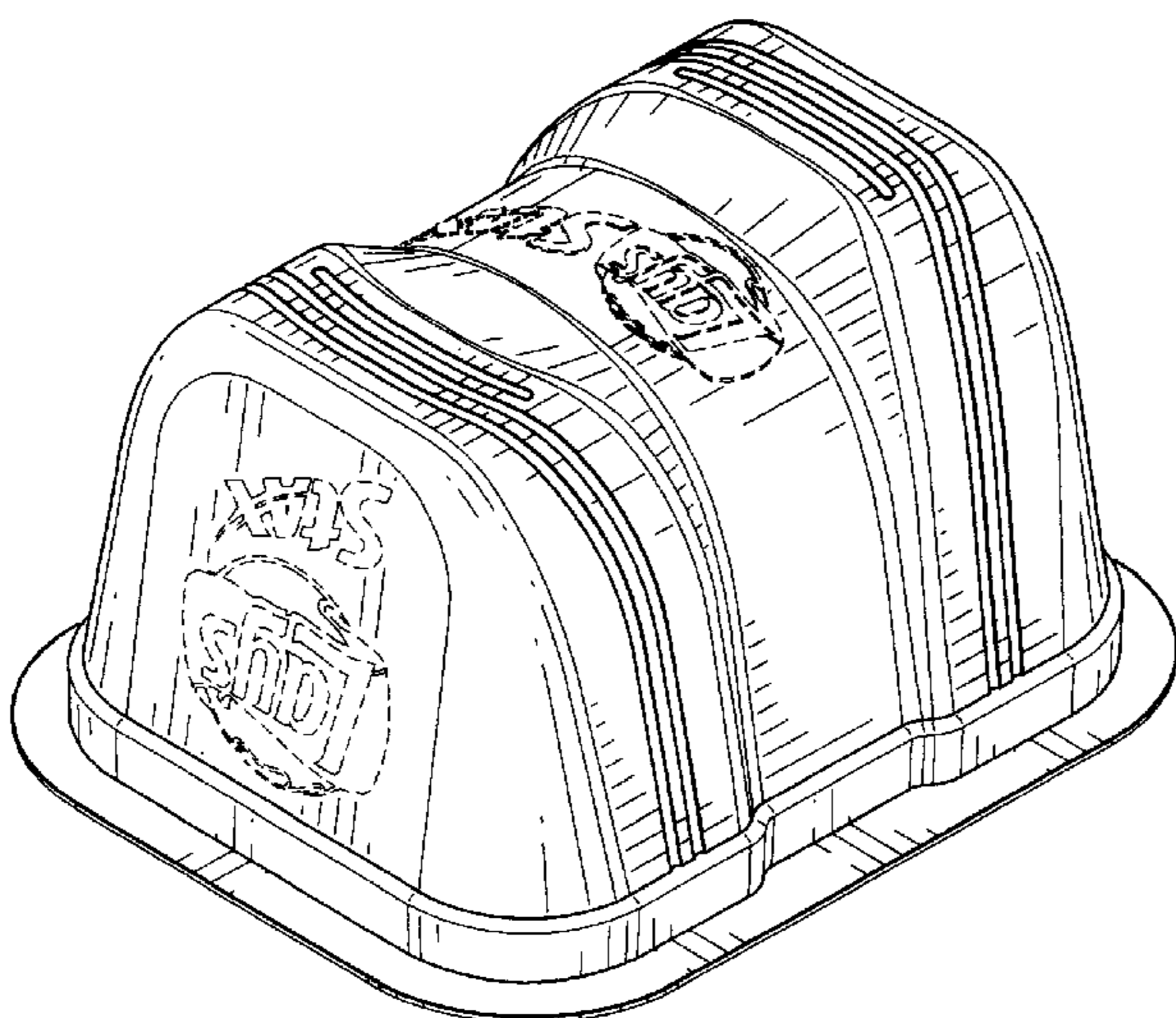


FIG. 7