



US00D543842S

(12) **United States Design Patent**  
**Jackson**

(10) **Patent No.:** **US D543,842 S**

(45) **Date of Patent:** **\*\* Jun. 5, 2007**

(54) **PRODUCT DISPENSER**

(75) **Inventor:** **Matthew Robert James Jackson,**  
Chicago, IL (US)

(73) **Assignee:** **Wm. Wrigley Jr. Company,** Chicago,  
IL (US)

(\*\*) **Term:** **14 Years**

(21) **Appl. No.:** **29/244,594**

(22) **Filed:** **Dec. 12, 2005**

(51) **LOC (8) Cl.** ..... **09-03**

(52) **U.S. Cl.** ..... **D9/420**

(58) **Field of Classification Search** ..... D9/414-435,  
D9/438, 443, 744, 730, 733, 759; D7/590,  
D7/596, 598, 601, 629, 538-549; D6/512,  
D6/515, 518; D3/294, 273, 302, 203.2, 318;  
D28/4, 7, 73, 77, 85; D24/131; 220/270,  
220/265, 315, 810, 283, 254.1-254.9, 259.1-259.5;  
221/26, 33, 45; 206/528, 530; 222/92-97  
See application file for complete search history.

(56) **References Cited**

**U.S. PATENT DOCUMENTS**

D115,047 S *	5/1939	Matthay	.....	D9/422
3,402,806 A *	9/1968	Sutherland et al.	.....	206/0.82
D235,080 S *	5/1975	Verona et al.	.....	D3/206
4,139,093 A *	2/1979	Holmes	.....	206/0.82
D273,403 S *	4/1984	DeLuca	.....	D21/392
D365,023 S	12/1995	Abrams		
D399,540 S *	10/1998	Wolfenstein	.....	D21/392

D426,153 S	6/2000	Sagel	
D466,801 S	12/2002	Holland	
D484,694 S *	1/2004	Leen	..... D3/273
D491,805 S	6/2004	Loth	

\* cited by examiner

*Primary Examiner*—Stella Reid

*Assistant Examiner*—Thomas Johannes

(74) *Attorney, Agent, or Firm*—Rebecca A. Aumann

(57) **CLAIM**

The ornamental design for a product dispenser, as shown and described.

**DESCRIPTION**

FIG. 1 is a perspective view of a product dispenser showing my new design;

FIG. 2 is a perspective view thereof with the cover in an open position;

FIG. 3 is a front view thereof;

FIG. 4 is a rear view thereof;

FIG. 5 is a left side view thereof;

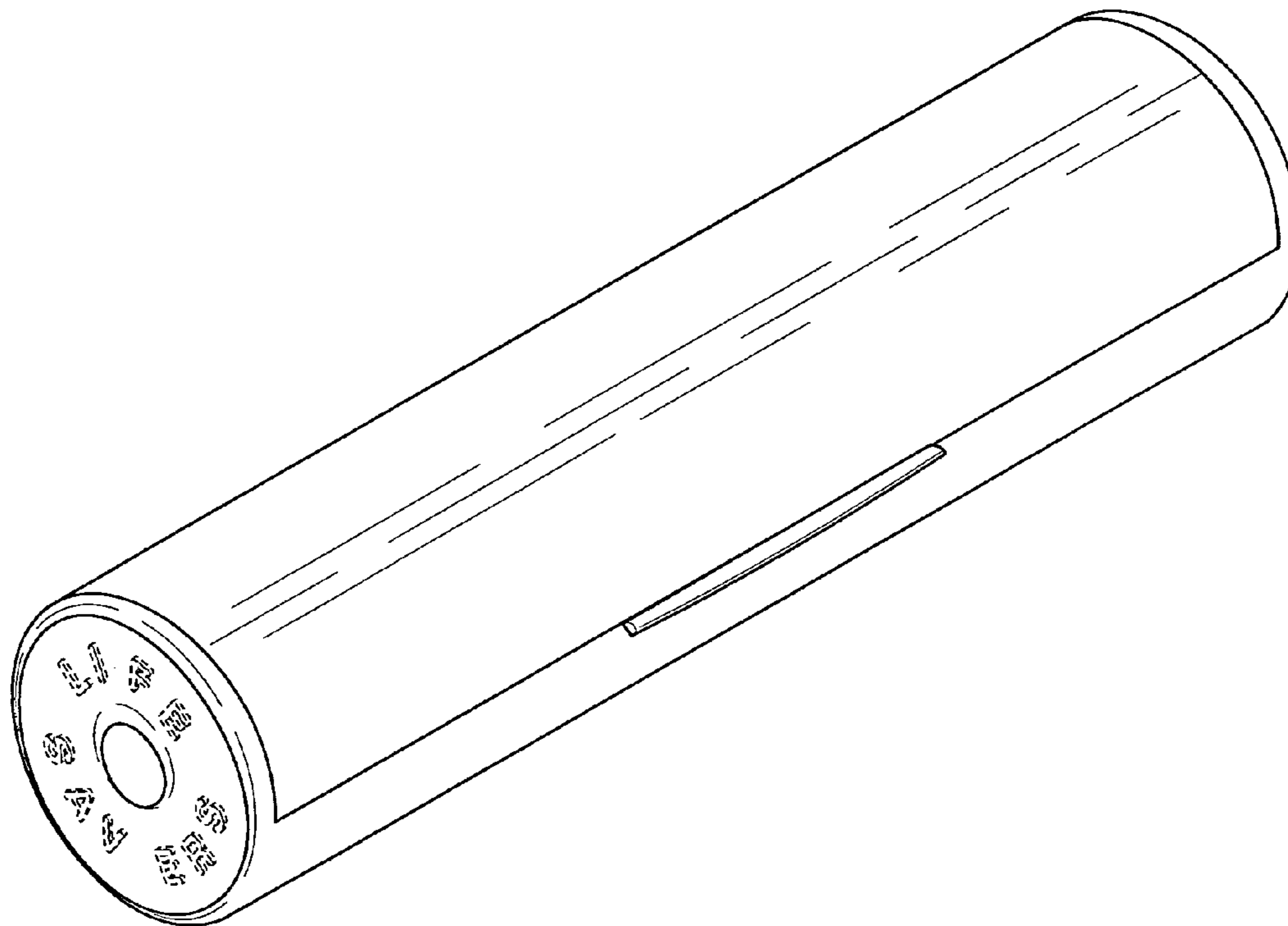
FIG. 6 is a right side view thereof;

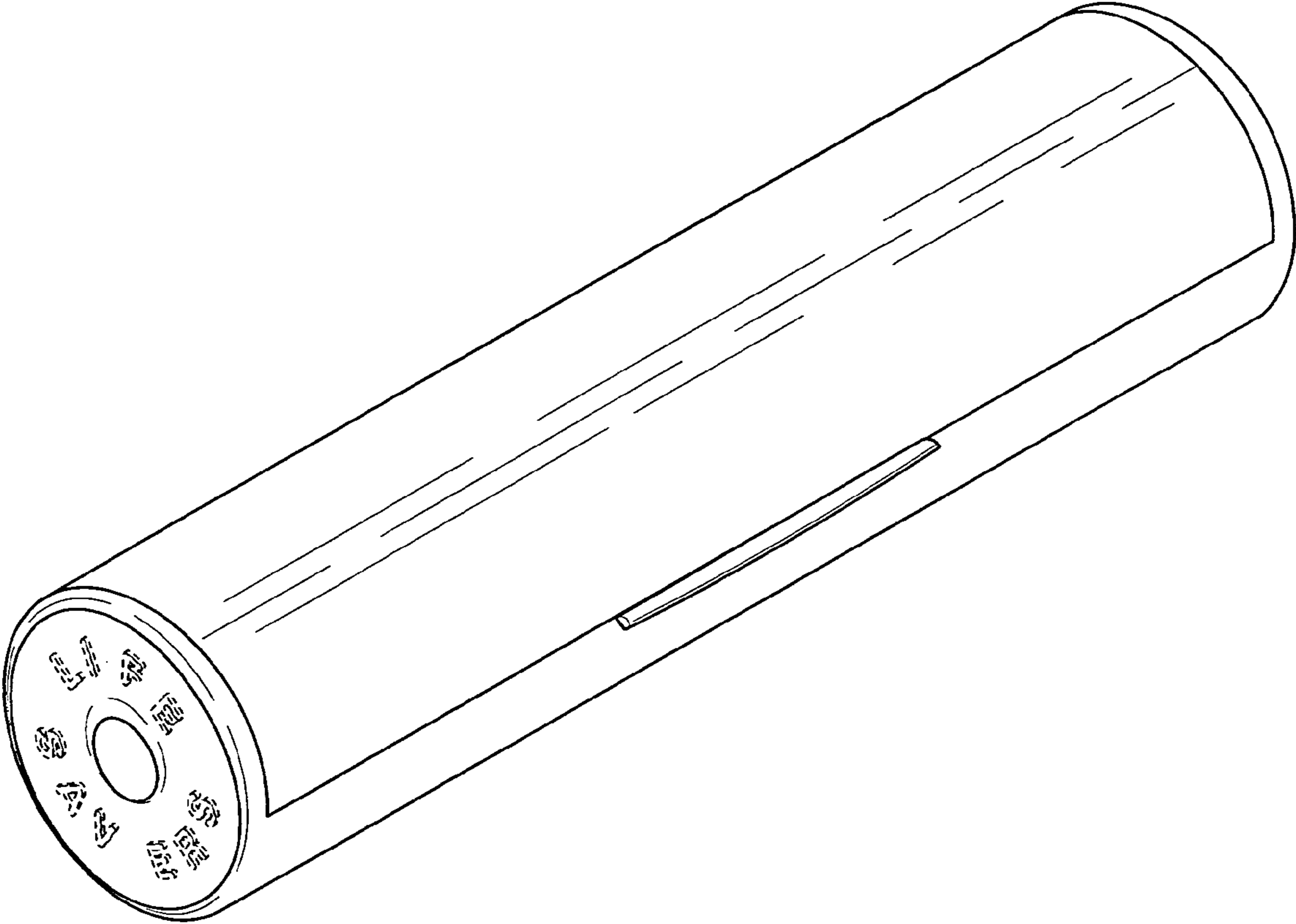
FIG. 7 is a top view thereof; and,

FIG. 8 is a bottom view thereof.

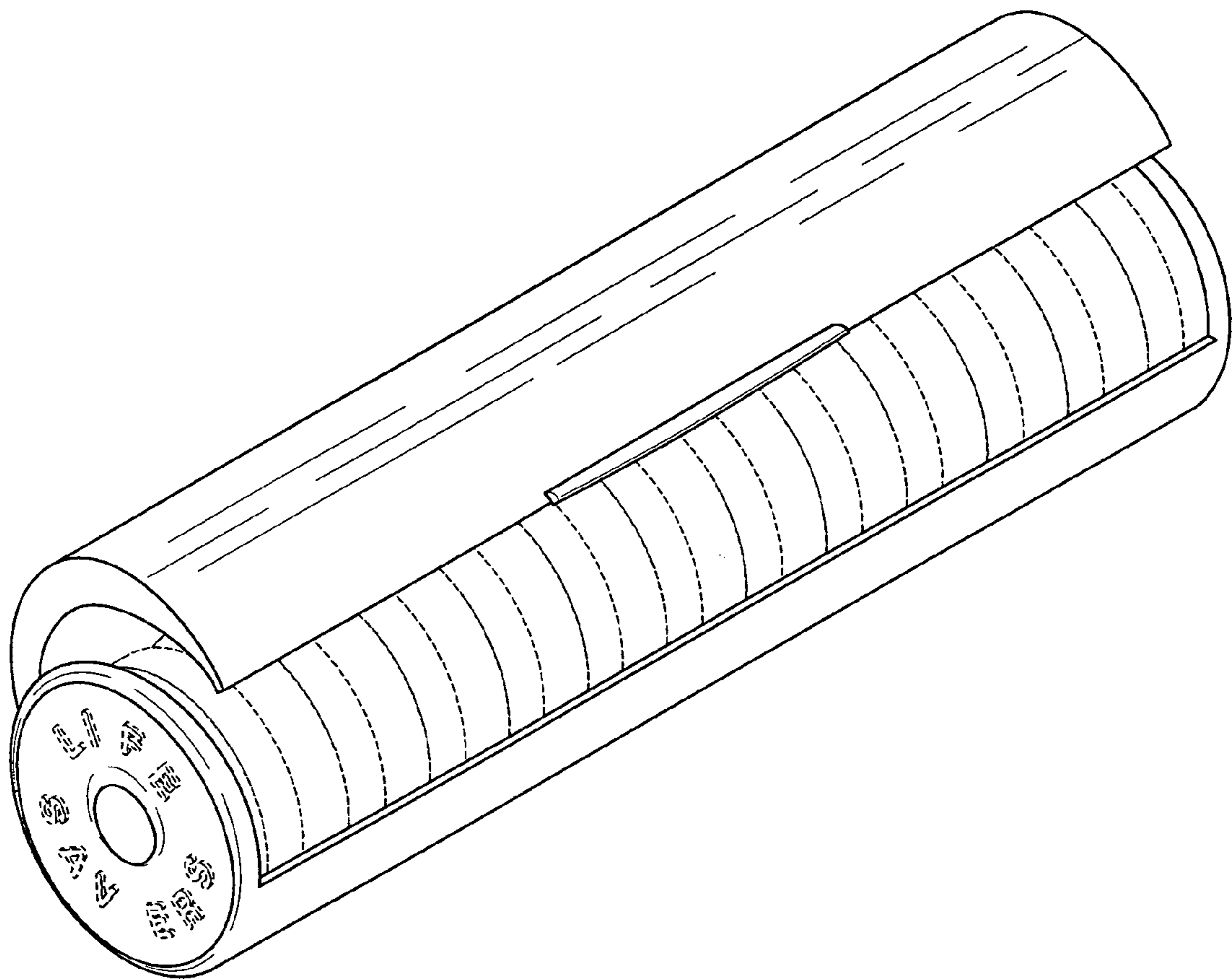
The broken line showing of the product dispenser in FIGS. 1 and 2 is included for the purpose of illustrating environment and forms no part of the claimed design.

**1 Claim, 5 Drawing Sheets**

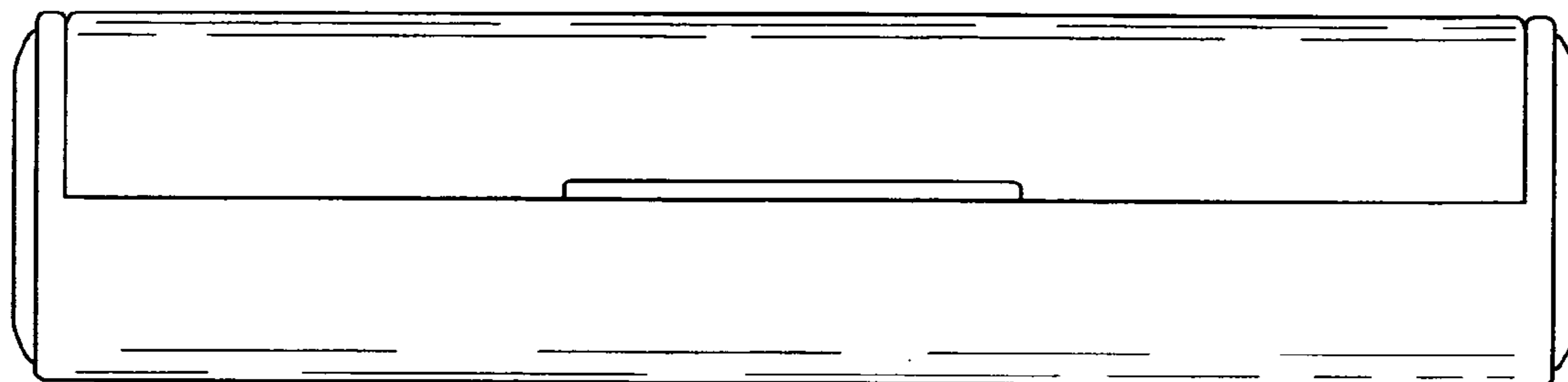




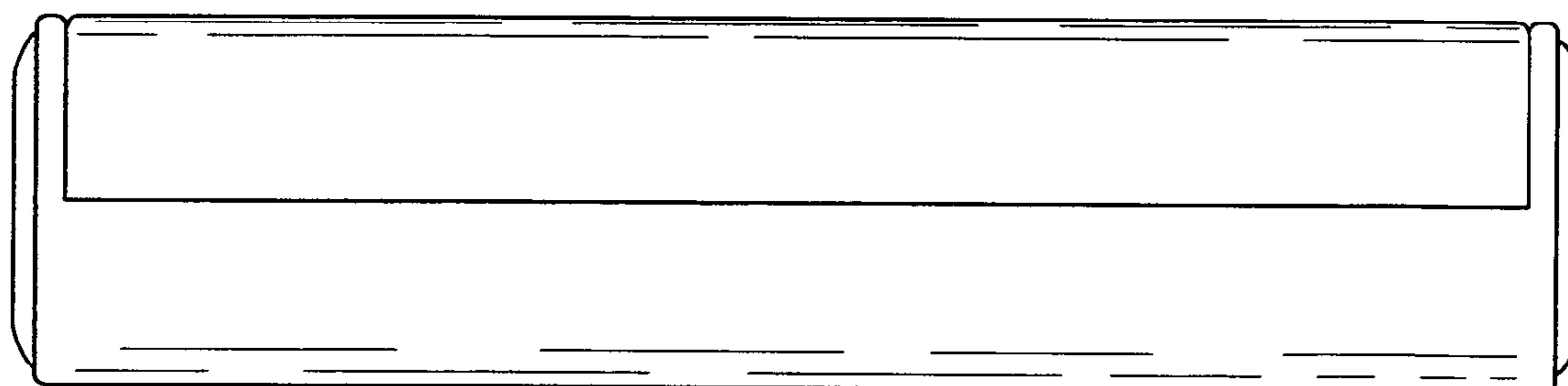
**FIG. 1**



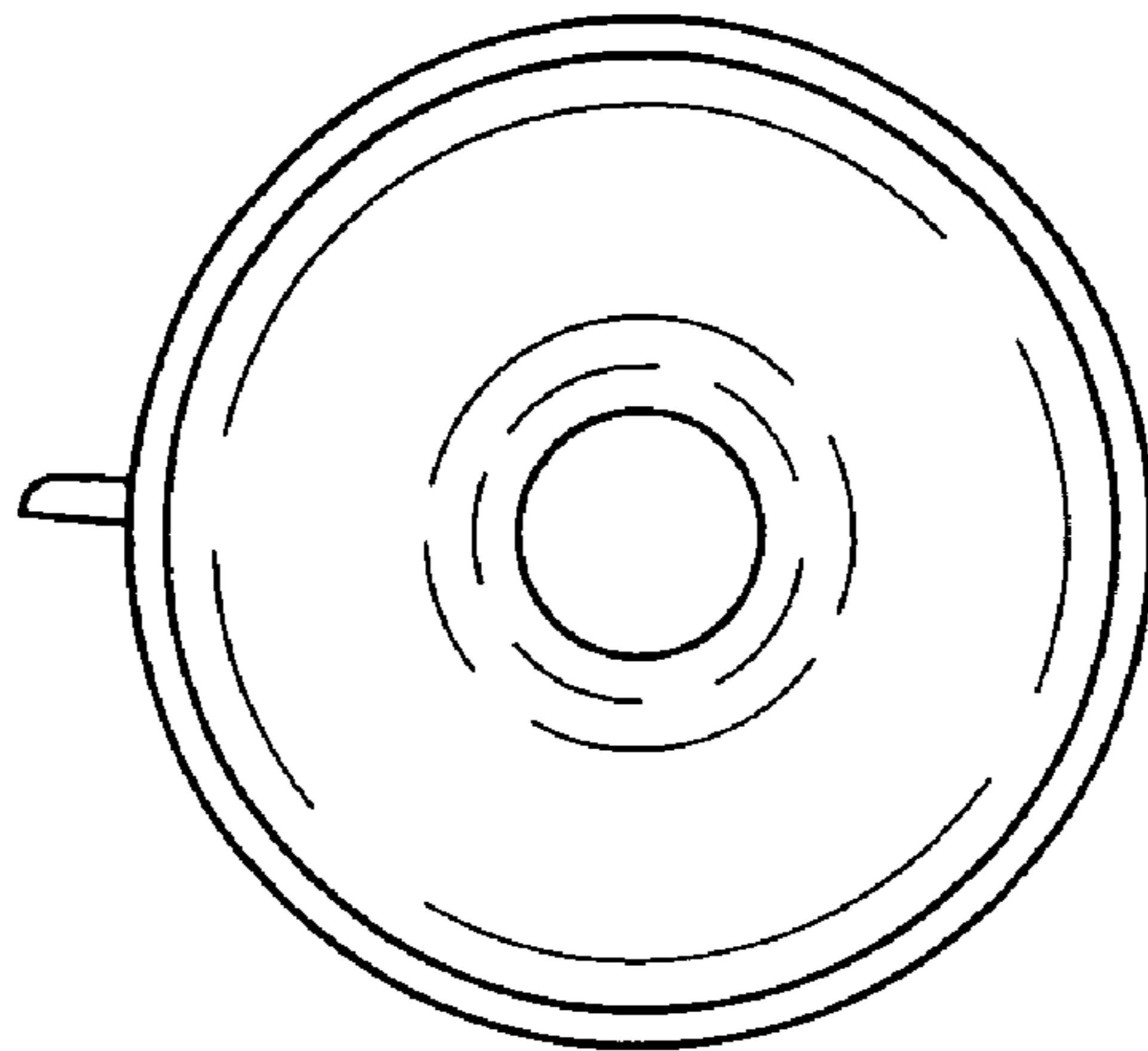
**FIG. 2**



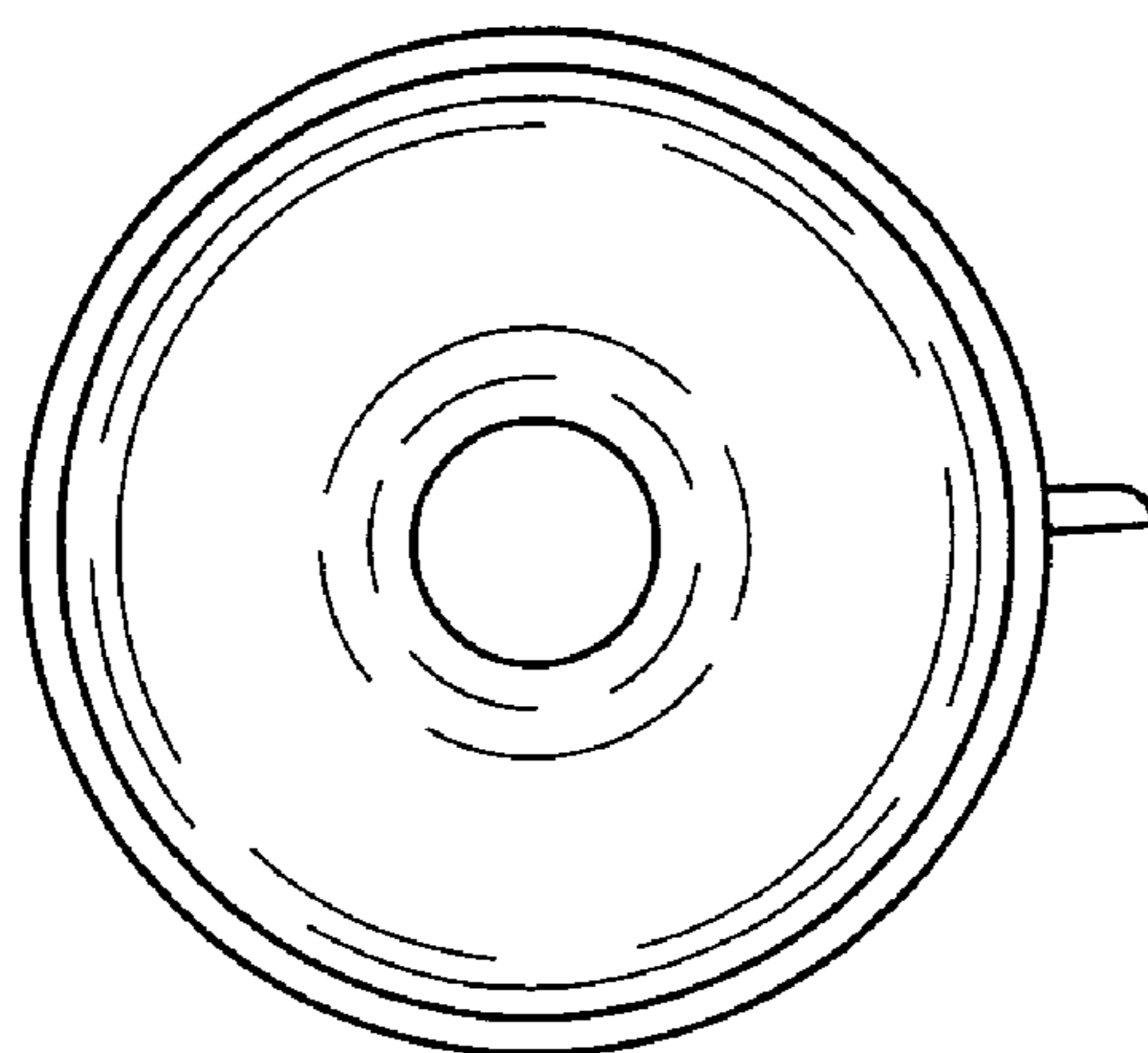
**FIG. 3**



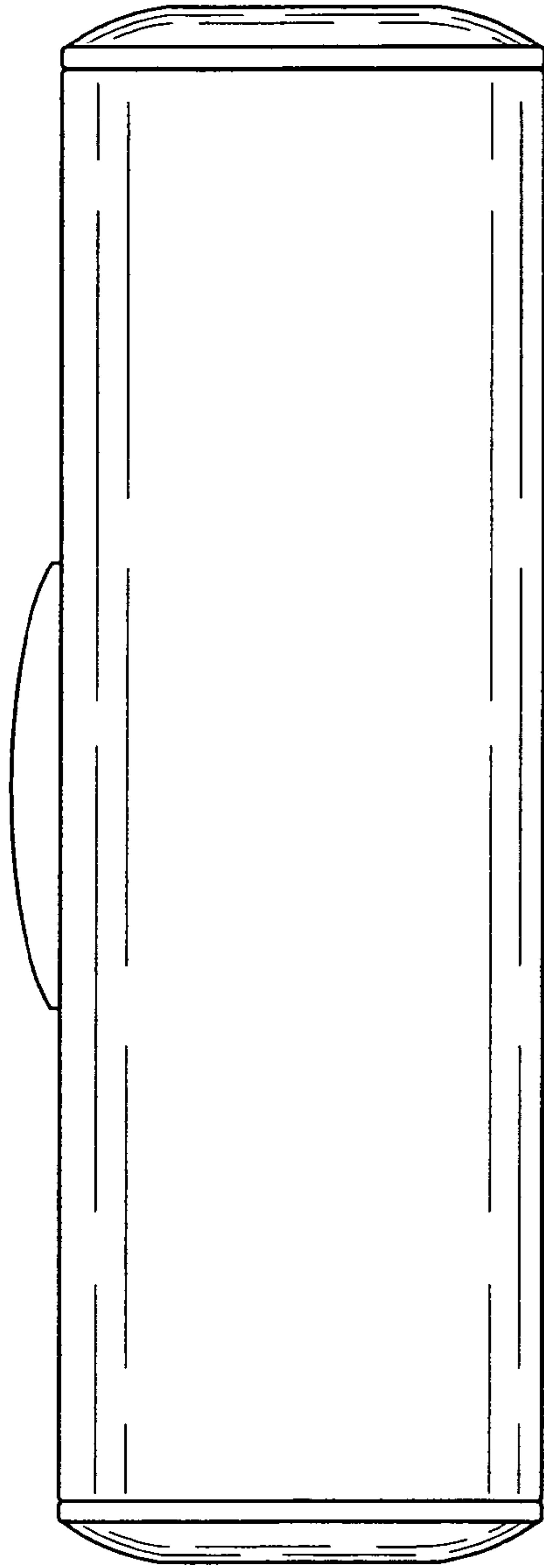
**FIG. 4**



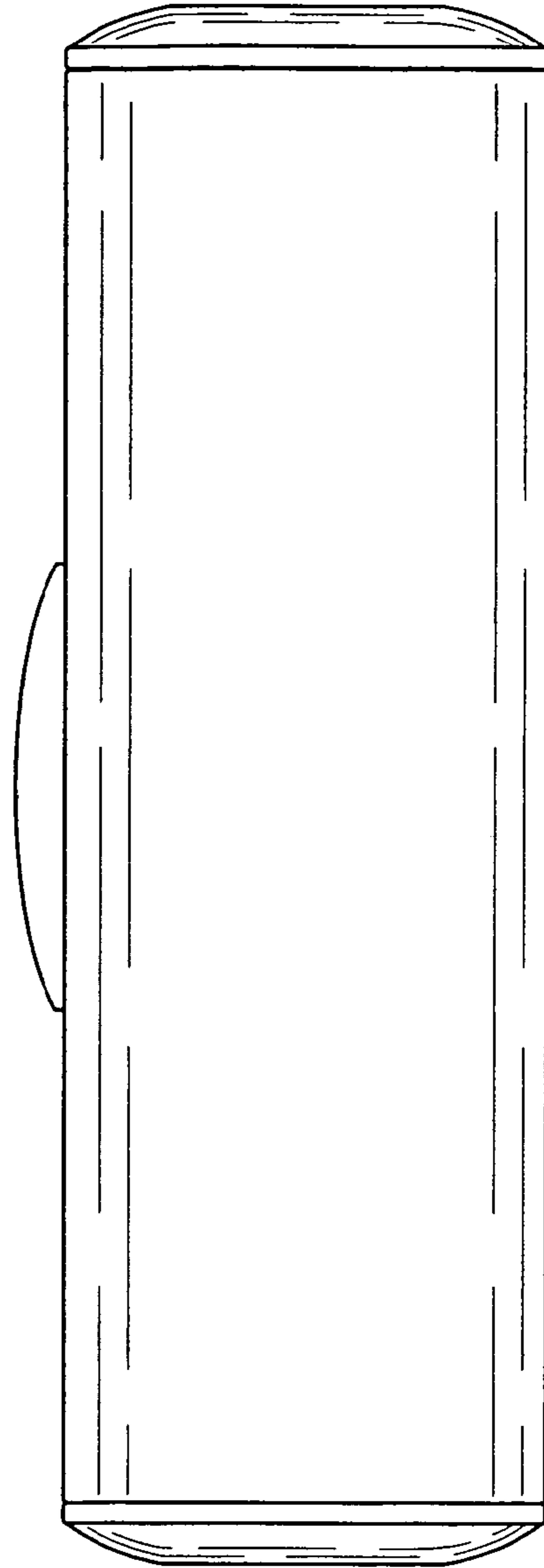
**FIG. 5**



**FIG. 6**



**FIG. 7**



**FIG. 8**