



US00D543841S

(12) **United States Design Patent**
Heindl et al.

(10) **Patent No.:** **US D543,841 S**

(45) **Date of Patent:** **** Jun. 5, 2007**

(54) **CONNECTING ELEMENT FOR SHEET PILES**

(75) Inventors: **Richard Heindl**, Munich (DE); **Rob R. Wendt**, Rapid City, SD (US)

(73) Assignee: **PilePro, LLC**, Rapid City, SD (US)

(**) Term: **14 Years**

(21) Appl. No.: **29/234,949**

(22) Filed: **Jul. 26, 2005**

(30) **Foreign Application Priority Data**

May 9, 2005 (EM) 000339676-0001/0021

(51) **LOC (8) Cl.** **08-08**

(52) **U.S. Cl.** **D8/382**

(58) **Field of Classification Search** D8/382,
D8/395, 394; D25/119; 405/278-279; 24/573.09,
24/346, 370, 598.5

See application file for complete search history.

(56) **References Cited**

U.S. PATENT DOCUMENTS

D471,083 S	*	3/2003	Wall	D8/382
D471,794 S	*	3/2003	Wall	D8/382
D479,797 S	*	9/2003	Wall	D8/382
D479,983 S	*	9/2003	Wall	D8/382

* cited by examiner

Primary Examiner—Holly H. Baynham

(74) *Attorney, Agent, or Firm*—Milde & Hoffberg, LLP

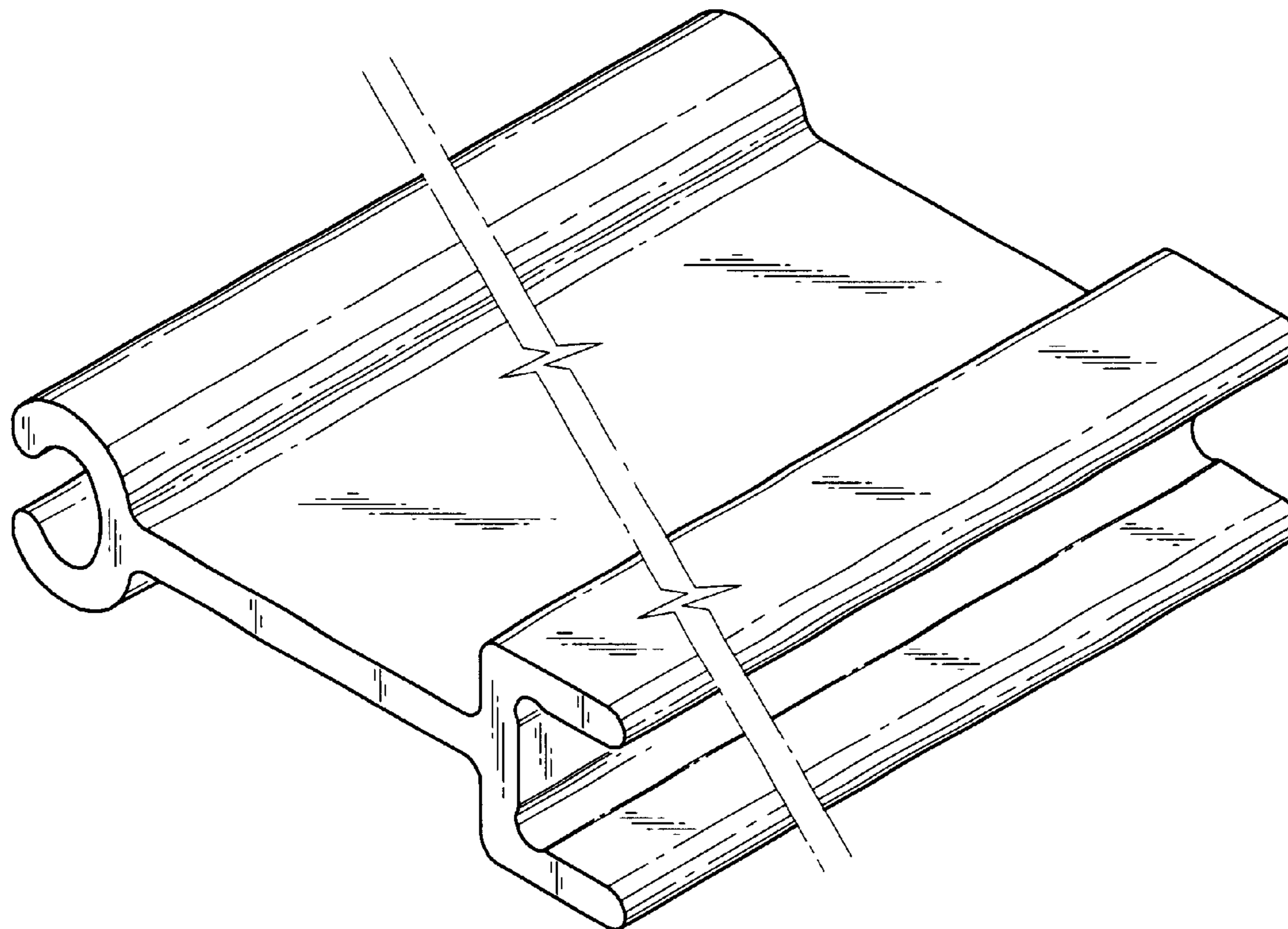
(57) **CLAIM**

The ornamental design for a connecting element for sheet piles, as shown and described.

DESCRIPTION

FIG. 1 is a perspective view of a connecting element for sheet piles showing my new design. The invention is shown broken away to show indeterminate length; and, FIG. 2 is an end view of the connecting element of FIG. 1.

1 Claim, 1 Drawing Sheet



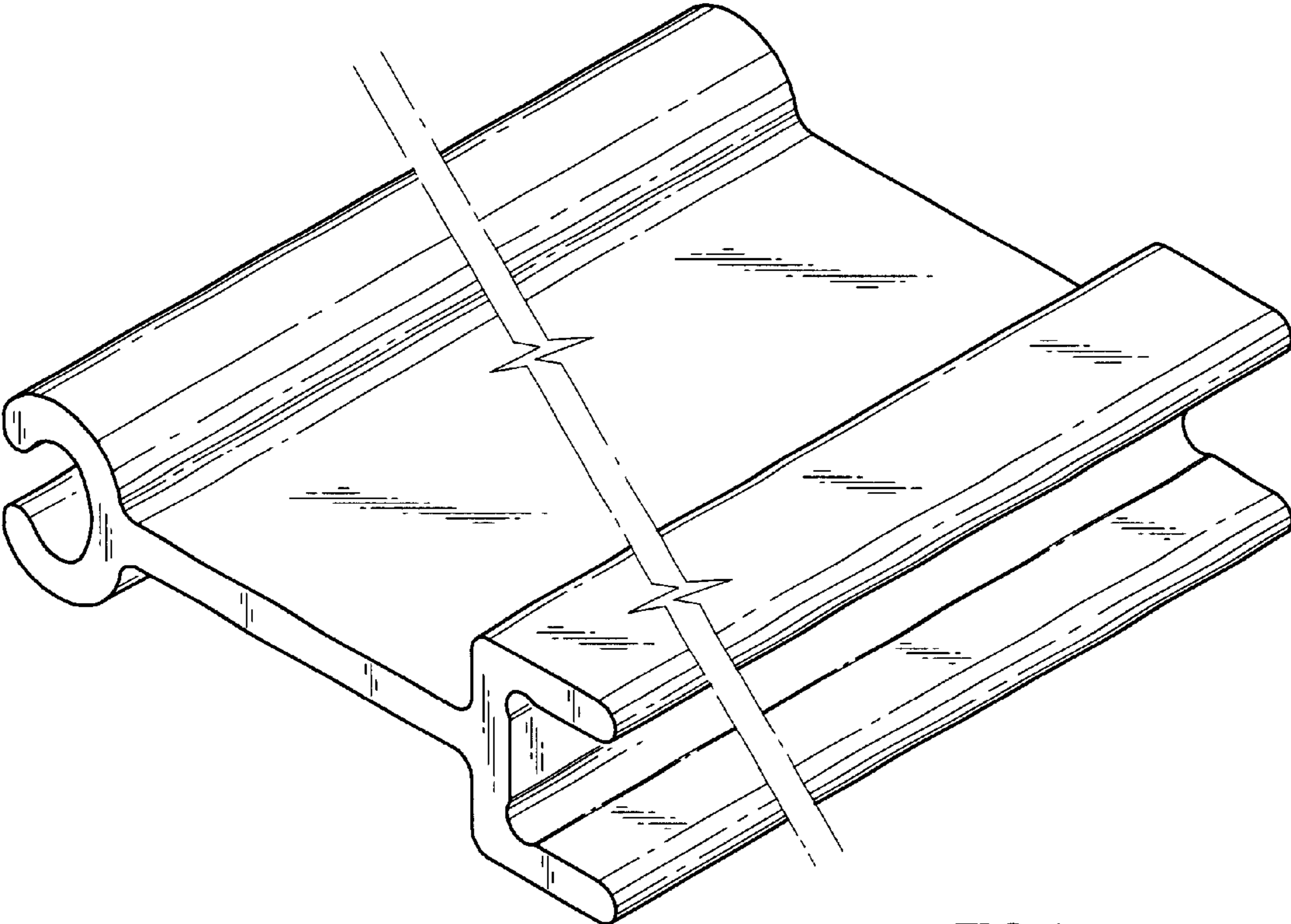


FIG. 1

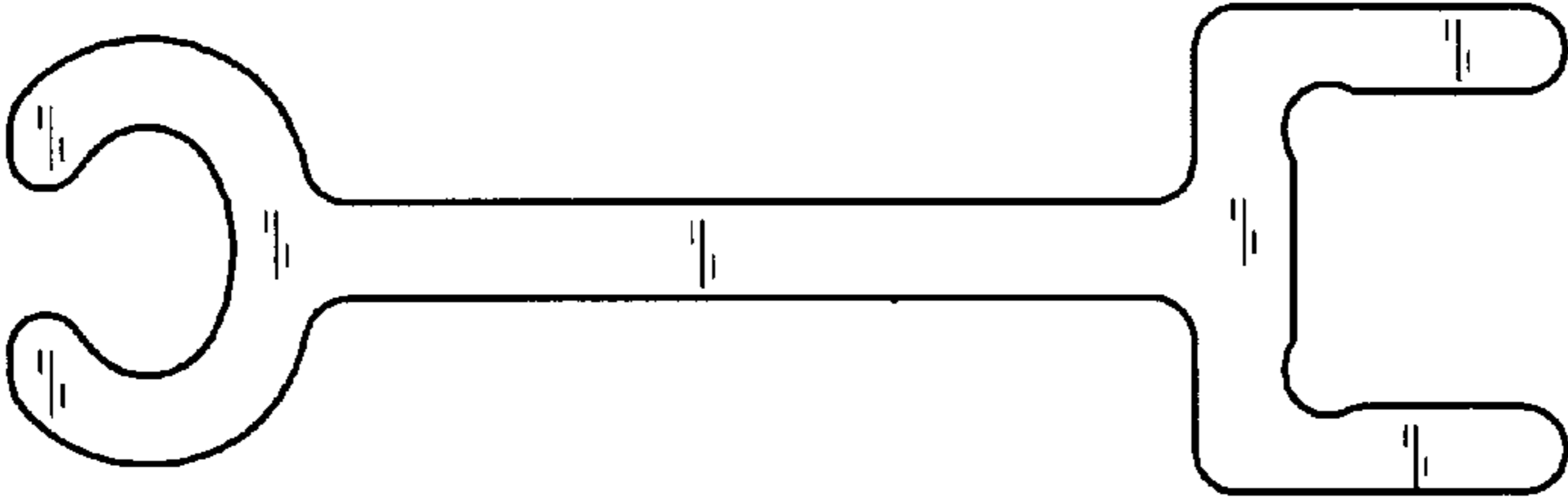


FIG. 2